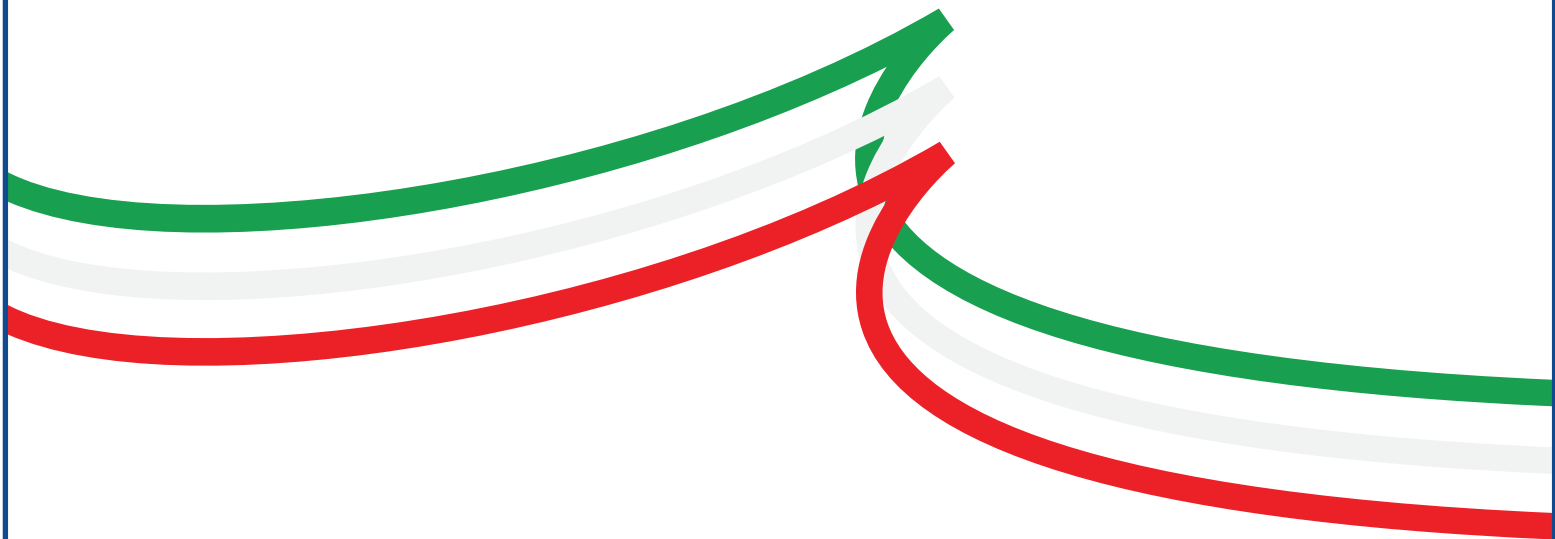




# EUROTROL

WATER TREATMENT COMPONENTS

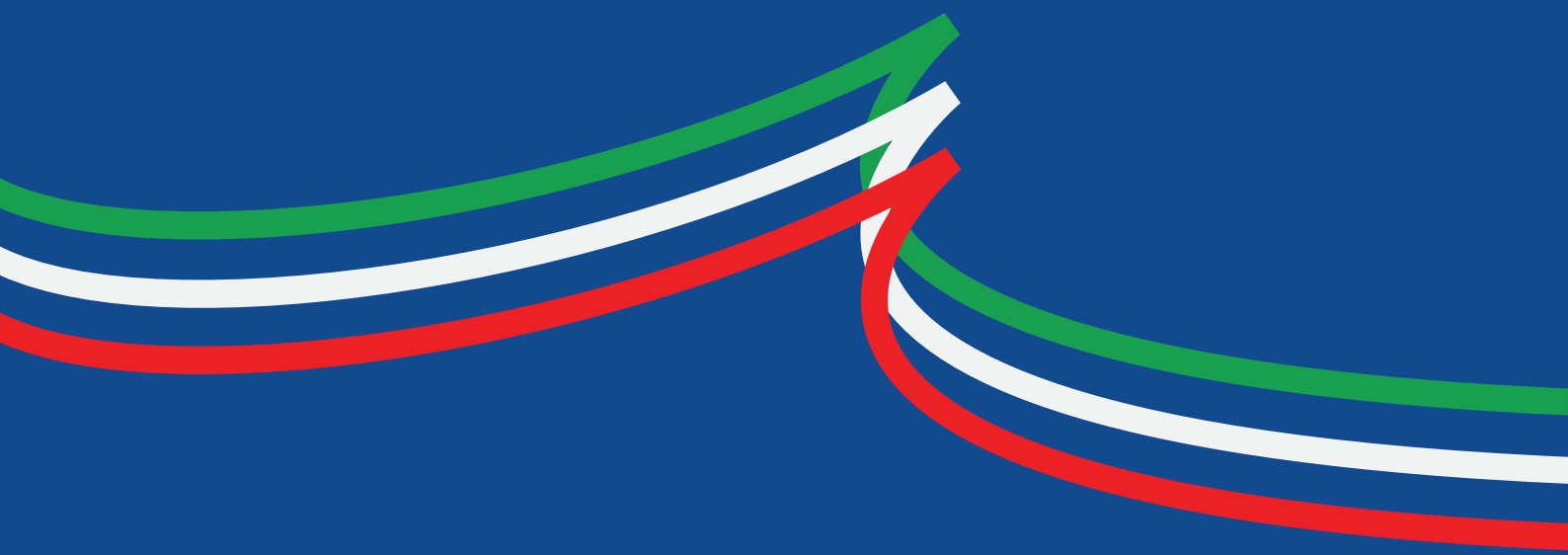
## PRICE LIST



# EUROTROL

WATER TREATMENT COMPONENTS

PRICE LIST  
FEBRUARY 2025



# GENERAL CONDITIONS OF SALE

## 1) EFFECTIVENESS OF THESE GENERAL CONDITIONS

These conditions of sale (hereinafter "GCS") are valid for any contract and / or supply and / or sale offer concluded between Eurotrol Spa (hereinafter also the "Seller") and its customers (hereinafter also "Buyer"). The GCS prevail over the Buyer's purchase conditions. The GCS are available at the following web link <https://www.eurotrol.it/en/gsc-new/> and will have binding effect and will represent the contractual source of the obligations of the Seller and the Buyer who explicitly accepts them by accepting the confirmation of order sent by Seller. The Seller reserves the right to modify, supplement or vary the GCS, attaching these changes to the sales and / or supply offers or to any correspondence sent in writing to the Buyer.

## 2) OFFERS AND COMPLETION OF THE SALE

The Seller prepares the offer based on the request / proposal for sale and / or supply made by the Buyer and sends the offer via e-mail to the Buyer. A reference to these GCS is included in the body of the offer and the order confirmation prepared by the Seller which contain the WEB link from which to consult them. The information contained in the offers prepared by the Seller may differ from the information contained in the Seller's price list and / or catalogue which are to be understood as fully indicative and unilaterally modifiable by the Seller. The offer prepared by the Seller is not binding and does not bind the Buyer in any way until the formulation and transmission of the purchase order by the same Buyer. Unless otherwise specified in writing, the Seller's offers are valid for 30 days from the date of transmission of the document to the Buyer and the relative prices are EXW Eurotrol Spa warehouse and include, where applicable, packaging. The sale is considered complete at the time and in the place where Eurotrol Spa receives the purchase order from the Buyer with the Order Confirmation countersigned by the same. The GCS are understood to be explicitly accepted by the Buyer with the signature for acceptance of the Order Confirmation sent by the Seller. If the Seller does not receive the countersigned order confirmation within 5 (five) working days, the order confirmation shall be considered expired and no longer valid. Once the above-mentioned purchase order has been received, the terms and conditions indicated in the offer become binding also with reference to quantities, prices and delivery terms. The delivery dates indicated in the Order Confirmation will be rescheduled from the date of receipt of the confirmation signed for acceptance. The delivery dates indicated in the Order Confirmation will be rescheduled from the date of receipt of payment for Buyers who have paid in advance.

## 3) MINIMUM ORDER

Orders made by the Buyer must have a minimum taxable value of € 100, the Seller therefore reserves the right not to accept orders with a lower value. If such orders are accepted, an additional cost of € 10 will be charged for management.

## 4) TERMS OF PAYMENT

The terms of payment are those indicated in the Seller's offer sent to the Buyer. In no case will letters of credit and / or other means of payment separate from bank transfers and Ri.Ba. be accepted as payment methods.

## 5) DESCRIPTION OF THE PRODUCTS

The description of the products in the offers prepared by the Seller is the only one that is binding on the Seller. On the contrary, the technical data sheets of the products and the information contained in the catalogue are not binding as they are subject to unilateral changes by the Seller. The Buyer must therefore rely solely on the description in the offer before signing and / or accepting the same offer or sending the related order to Eurotrol Spa.

## 6) ORDERS FOR PRODUCTS CARRIED OUT ON SPECIFIC CUSTOMER REQUESTS

The sale and / or supply of specific products which, on the basis of the requests made by the Buyer, are not included in the Eurotrol Spa catalogue, are governed by independent contracts and / or agreements that supplement or modify these GCS.

## 7) ADDITIONS OR CHANGES TO ORDERS ALREADY ISSUED

The Seller reserves the right to make any additions and / or changes requested by the Buyer with reference to orders already sent to the Seller and in the act of being processed. In any case, the Buyer's requests for additions and changes will be considered as new and independent orders that will be processed in the manner provided for in these GCS.

## 8) CANCELLATION OF THE ORDER AND / OR IN ANY CASE WITHDRAWAL BY THE BUYER

The cancellation of an order received by the Seller in the manner set forth in Article 2 above, may only take place with the Seller's written consent, provided that no more than five (5) working days have elapsed since the Seller received the order confirmation countersigned by the Buyer. In case of orders cancelled by the Buyer who has already been notified of the details for the collection of the goods, the same shall be charged 10% of the total taxable amount of the cancelled order as a contribution towards the cost of returning the goods to the warehouse.

## 9) PRICES AND TAXES

Unless otherwise specified:

- a** - The prices of the products do not include VAT, which must be paid upon delivery or in accordance with the specific provisions indicated in the sales invoice.
- b** - Taxes, duties, shipping costs not agreed with the Seller, insurance, installation costs and related training of the Buyer's and / or end user's personnel are neither included nor provided for in the prices indicated in the offer for the purchase of products.
- c** - The Seller reserves the right to increase prices at any time.
- d** - The new sales prices will be applied with reference to the dates of delivery of the goods and not to the date of confirmation of the order, without any obligation on the Seller's side to resend an Order Confirmation with updated prices.

## 10) TERMS OF DELIVERY

Unless otherwise agreed in writing, any delivery term also provided for in the offer is not binding for the Seller and is merely indicative. The Seller reserves the right to make partial deliveries. The Seller reserves the right to refuse orders with mandatory / binding delivery terms indicated by the Buyer in writing when placing the order.

## 11) SHIPPING

The goods travel at the Buyer's risk even if shipped carriage paid. The Buyer must check the quantities and conditions of the goods upon receipt; any complaints must be sent in writing to the Seller no later than ten (10) working days from receipt of the goods (in any case taking in consideration the Seller's closing calendar).

In any case, it is understood that:

**a)** even if the Seller takes delivery of the goods on behalf and in the interest of the Buyer, the Buyer must in any case take full responsibility for the relative transport, assuming all the consequent responsibilities even in the hypothesis of any damage and / or loss / loss suffered by the goods during transport.

**b)** The duty of inspection and acceptance of the Products is in any case always borne by the Buyer, who, upon taking delivery of the Products at his warehouse / factory, must immediately check the quantities and packaging of the Products and record any objection in the delivery note by refusing the goods or accepting them with reserve, making the related complaints against the Seller in compliance with the above term of ten (10) working days (always taking in consideration the Seller's closing calendar).

## 12) DELAYS IN TAKING THE GOODS STORES IN THE SELLER'S WAREHOUSE

The date of collection of the goods indicated in the purchase order received by the Seller must be considered mandatory and may be waived and / or otherwise only with the prior written consent of the Seller. In case of delay of fifteen (15) working days (excluding the Seller's closing days) with the respect to the date of collection of the goods, the order will be considered as cancelled and the Buyer shall be charged 10% of the taxable amount of the goods not collected.

## 13) RETURNS OF MATERIAL

At the request of the Buyer, the Seller may consent in writing to the return and / or in any case to the giving back by the Buyer of all or part of the goods referred to in a specific purchase order. The Buyer's request for total or partial return of the goods must in any case be received in writing by the Seller no later than 60 (sixty) calendar days from the date on which the goods in question were delivered to the Buyer's warehouse / factory.

If the request is accepted by the Seller, it is in any case understood and agreed that:

- a** - Shipping is at the Buyer's expense.
- b** - A penalty equal to 20% of the taxable sales value of each returned material will be applied to the Buyer.
- c** - The goods must be returned within and not later than 30 (thirty) days from the date of acceptance of the return by the Seller.
- d** - Goods returned after 30 (thirty) days from the date of acceptance of the return by the Seller will be rejected. If upon the return, the material turns out as incomplete and / or damaged in any part, including packaging, it will NOT be considered useful for resale; the Seller will then issue a return note to the Buyer for non-compliant material, reserving all claims for compensation and / or in any case any claim against the same Buyer, thus not issuing any credit note.

## 14) WARRANTIES

Goods considered to be defective, subject to written authorization from the Seller, may only be returned carriage paid, within and no later than 30 (thirty) days from the date authorization from the Seller, at the expense of the Buyer, with accompanying information notes on the defect found. The purchased products are guaranteed to be free from defects from the date of production (if not available, from the date of shipment) for a period of 1 (one) year, except for:

- a** - 10 (ten) years: MWG brand pressure vessels

- b** - 5 (five) years: MWG brand cabinets and brine tanks, Structural brand pressure vessels. In the event of a warranty claim for damage occurred during transport carried out by the Seller, the Buyer shall within no more than 8 (eight) working days:
- a** - present a copy of the transport document indicating "material accepted with reserve". In the absence of such documentation, the opening of the Guarantee case will not take place.
  - b** - no dispute with reference to the quantity, quality, type, and packaging of the products may be made except through the communication affixed to the delivery note indicated in the previous period.

With reference to each warranty request sent in writing to the Seller, the Buyer must:

- a** - agree to make the disputed products available to the Seller for inspection; this inspection will be carried out by the Seller or by an expert appointed by the Seller or buy the manufacturer of the goods.
- b** - Deliver to the Seller any ancillary documentation deemed essential for the analysis for the evaluation of the requested Warranty.
- c** - Any product, for which the documentation has not been delivered in compliance with the procedures and terms indicated here by the Seller, will not be considered approved and accepted.

Once the existence of the requirements for not validity / effectiveness of the guarantee has been recognized, the results of any analyses carried out on the products found to be defective will not give rise to minutes with technical details, as these operations are covered by industrial secrecy.

#### **15) NON-PAYMENT OR LATE PAYMENT**

In the event of non-payment or delayed payment, even partial, with respect to the agreed deadline and indicated in the invoice, the Seller may, without prior notice, suspend the commercial activities subject to each order and / or in any case suspend the relative deliveries until the balance due by the Buyer is paid. In any case, in the event of delayed payment at the agreed deadlines, interest on late payment will accrue in favour of the Seller, calculated at the official reference rate of the European Central Bank increased by 4 (four) points. It is understood that ownership of the goods referred in each other will remain with the Seller until full payment of the consideration by the Buyer. The delay in payment will also cause the suspension of the warranty for the products sold. In the event of failure or delay payment, even partial, by the Buyer, the Seller will still have the right to suspend any deliveries still to be made or to consider the contract terminated by the law pursuant to art. 1456 of the Civil Code, upon written notice to the Buyer. The delivery dates indicated in the Order Confirmation will be rescheduled from the date of receipt of payment for Buyer who have paid in advance.

#### **16) FORCE MAJEURE**

For reasons of force majeure we mean the completely sudden and / or unpredictable circumstances relating to the materials, people and / or organizations / states / companies directly or indirectly involved, that may make it impossible for the Seller to manage or fulfil the order. Merely by way of example and not exhaustively, for reasons of force majeure we mean, without any limitation, strikes, lockouts, riots, provisions of the public administration, subsequent blocks of the possibility of export or import, embargoes, acts of war, various impediments to third parties, technical complications occurred during the manufacturing of the product, natural disasters, pandemics etc.

#### **17) COMPLIANCE WITH THIRD PARTY TRADE RULES**

The Buyer undertakes not to sell US-made or European-made products in countries where there is a US and / or European Union embargo. In this sense, it is understood that the Seller will not be able to ship the goods to the countries listed in the US Black List and / or the European Union, which the Buyer declares to be well aware of and which may in any case be subject to changes and additions.

#### **18) TREATMENT OF PERSONAL DATA**

The Buyer's personal data will be processed in accordance with the provisions of Italian and European law on the processing of personal data (Legislative Decree 10 August 2018 no. 101, GDPR). The Seller informs the Buyer that the Seller is the Data Controller, and that the Buyer's personal data are collected and processed exclusively for the execution of this agreement. The Buyer has the right to request the Seller to update, rectify, integrate, cancel and transform their data into anonymous form.

#### **19) JURISDICTION AND APPLICABLE LAW**

Any dispute that may arise regarding the interpretation, validity, applicability, or termination of these GCS and of the individual contracts and / or supply and / or sale offers, is the exclusive competence of the Court of Milan. The law applicable to these GCS and to individual supply and / or sales contracts is the Italian Law

#### **20) FINAL PROVISIONS**

The invalidity in whole or in part of individual provisions of these GCS does not affect the validity of the remaining provisions. These General Conditions of Sale are drawn up in two languages, Italian and English. In case of doubts about interpretation, the Italian version will prevail.

Pursuant to and for the purposes of Articles 1341 and 1342 of the Italian Civil Code, the Buyer specifically approves the provisions referred to below:

Art. 1 - Effectiveness of these general conditions

Art. 2 - Offers and completion of the sale

Art. 8 - Cancellation of the Order and / or in any case withdrawal by the Buyer

Art. 10 - Terms of delivery

Art. 11 - Shipping

Art. 13 - Returns of material

Art. 15 - Non-payment or late payment

Art. 19 - Jurisdiction and applicable law

Art. 20 - Final provisions

Castano Primo, February 2025

# INDEX

- **VALVES, CONTROLLERS AND ACCESSORIES**
- **PRESSURE VESSELS AND ACCESSORIES**
- **CABINETS**
- **BRINE TANKS**
- **REVERSE OSMOSIS AND ULTRAFILTRATION  
MEMBRANES**
- **VESSELS AND ACCESSORIES, ROTARY PUMPS**
- **UV STERILIZERS**
- **FILTER HOUSINGS, CARTRIDGES AND  
POLYPHOSPHATE FEEDERS**
- **ION EXCHANGE RESINS, FILTER MEDIA**
- **RESIDENTIAL R.O. COMPONENTS**
- **WATER SOFTENERS**



# VALVES, CONTROLLERS AND ACCESSORIES

Autotrol, Clack, Fleck, Runxin



[BACK  
TO INDEX](#)





## Non Electric Automatic Valve for Softening



- Made in China;
- Control valve suitable for residential and softening applications;
- Made of Noryl;
- Non electric automatic valve powered by incoming water pressure;
- Standard application is single but it can be managed in twin or parallel multi tank;
- Counter-current regeneration mode, hard water supply and hardness blending valve embedded;
- Tank range diameter : 7"-16";
- Brine valve recommended;
- Counter current regeneration process with high efficiency, water and salt saving;
- Volumetric regeneration;
- Multiple configurations : S=Single tank ; D= Double tanks (1duty + 1standby) ; E= Two valves up to 4, parallel with sequential regeneration;
- The double safety design of brine valve prevents water overflow from brine tank;
- Manual forced regeneration mode;
- Outlet pressure > 1,5 bar.

Ref.	Description	Fam.	Subfam.	Disp. Stock	Price Euro
GC00101	NON ELECTRIC AUTOMATIC SOFTENER VALVE 713 #2	110	560	OK	497,65
GC00109	NON ELECTRIC AUTOMATIC SOFTENER VALVE 917 #2	110	560	OK	515,70
GC00110	NON ELECTRIC AUTOMATIC SOFTENER VALVE 917 #3	110	560	OK	515,70
GC00117	NON ELECTRIC AUTOMATIC SOFTENER VALVE 1017 #2	110	560	OK	533,75
GC00118	NON ELECTRIC AUTOMATIC SOFTENER VALVE 1017 #3	110	560	OK	533,75
GC00119	NON ELECTRIC AUTOMATIC SOFTENER VALVE 1017 #4	110	560	OK	533,75
GC00126	NON ELECTRIC AUTOMATIC SOFTENER VALVE 835 #3	110	560	OK	553,34
GC00127	NON ELECTRIC AUTOMATIC SOFTENER VALVE 835 #4	110	560	OK	553,34
GC00128	NON ELECTRIC AUTOMATIC SOFTENER VALVE 835 #5	110	560	OK	553,34
GC00135	NON ELECTRIC AUTOMATIC SOFTENER VALVE 1035 #4	110	560	OK	572,45
GC00136	NON ELECTRIC AUTOMATIC SOFTENER VALVE 1035 #5	110	560	OK	572,45
GC00137	NON ELECTRIC AUTOMATIC SOFTENER VALVE 1035 #6	110	560	OK	572,45
GC00144	NON ELECTRIC AUTOMATIC SOFTENER VALVE 1054 #5	110	560	OK	590,46
GC00145	NON ELECTRIC AUTOMATIC SOFTENER VALVE 1054 #6	110	560	OK	590,46
GC00146	NON ELECTRIC AUTOMATIC SOFTENER VALVE 1054 #7	110	560	OK	590,46
GC00153	NON ELECTRIC AUTOMATIC SOFTENER VALVE 1465 #6	110	560	OK	609,06
GC00154	NON ELECTRIC AUTOMATIC SOFTENER VALVE 1465 #7	110	560	OK	609,06
GC00155	NON ELECTRIC AUTOMATIC SOFTENER VALVE 1465 #8	110	560	OK	609,06
GC00161	NON ELECTRIC AUTOMATIC SOFTENER VALVE 1665 #6	110	560	OK	626,56
GC00162	NON ELECTRIC AUTOMATIC SOFTENER VALVE 1665 #7	110	560	OK	626,56
GC00163	NON ELECTRIC AUTOMATIC SOFTENER VALVE 1665 #8	110	560	OK	626,52

Characteristics	
Tank size (recommended):	Softening System = 7" ÷ 16"
In/Out Connections	Threaded 3/4"
Pressure vessel connection	Threaded 2,5" NPSM male
Drain line connection	Threaded 5/8"
Brine line connection	Threaded 3/8"
Distributor tube O.D. diameter	32 mm
Operating pressure	2 ÷ 8 bar
Water Temperature	5 ÷ 40 °C
Distributor tube length (from top of the tank)	11 mm ÷ 1

Box: LxPxH	Box: Q.ty	Box: Weight	Pallet: LxPxH	Pallet: Q.ty	Pallet: Weight

Certificates	Manufacturer	Sectors
		Domestic



## Non Electric Automatic Valve for Softening

### Spare Parts

Ref.	Description	Fam.	Subfam.	Disp. Stock	Price Euro
GC00171	METER DISC 1	110	561	OK	10,17
GC00172	METER DISC 2	110	561	OK	10,17
GC00173	METER DISC 3	110	561	OK	10,17
GC00174	METER DISC 4	110	561	OK	10,17
GC00175	METER DISC 5	110	561	OK	10,17
GC00176	METER DISC 6	110	561	OK	10,17
GC00177	METER DISC 7	110	561	OK	10,17
GC00178	METER DISC 8	110	561	OK	10,17



## Backwash Filter Valves



- Multi-way valve having two functions: filtration and backwash;
- In, out drain connections 2"-3" grooved end;
- Max operating pressure 8 bar @ 20°C;
- Max operating temperature 50°C;
- Possibility to be connected to external control box (available separately);
- 2"-3" grooved-end connections and couplings available separately.

Ref.	Description	Fam.	Subfam.	Disp. Stock	Price Euro
GC00001	BACKWASH FILTER VALVE IN PA - MODEL A2	110	565	OK	364,90
GC00002	BACKWASH FILTER VALVE IN PA - MODEL S2	110	565	OK	364,90
GC00003	BACKWASH FILTER VALVE IN PA - MODEL A3	110	565	OK	496,76
GC00004	BACKWASH FILTER VALVE IN PA - MODEL S3	110	565	OK	496,76

Ref.	Flux mode	Grooved adaptor conn.	Weight (kg)	Flow rate @Δ 0,2 bar (m3/h)	Flow rate @Δ 1 bar (m3/h)
GC00001	angle	2"x2"x2"	2,9	30	50
GC00002	straight	2"x2"x2"	2,9	25	38
GC00003	angle	3"x3"x3"	5,2	65	100
GC00004	straight	3"x3"x3"	5,2	50	80

Box: WxLxH	Box: Q.ty	Box: Weight	Pallet: WxLxH	Pallet: Q.ty	Pallet: Weight

Certificates	Manufacturer	Sectors
		Industrial

## Accessories



Ref.	Description	Fam.	Subfam.	Disp. Stock	Price Euro
GC00011	2" GROOVED END	110	567	OK	25,63
GC00012	3" GROOVED END	110	567	OK	34,98
GC00013	2" COUPLING	110	567	OK	45,15
GC00014	3" COUPLING	110	567	OK	56,55



## Normally Open Diaphragm Valves



- Two-way valves actuated by air or water as control fluid;
- In-out threaded connections with union end fittings to be purchased separately;
- Service pressure range 1- 8 bar;
- Service temperature range 4-50°C;
- Possibility to be connected to external control box (available separately);
- Valve body in Noryl;
- Seals in BUNA / EPDM;
- Available options: - Normally Closed (NC), Spring-assist Open (SAO), Spring-assist Closed (SAC), Position Indicator (PI), Solenoid BSO, Signal Switch (SS), Limit Stop (LS), Liquid Level Control (LLC), Pressure Reducing (PR), Pressure Sustaining (PS).

Ref.	Description	Fam.	Subfam.	Disp. Stock	Price Euro
GC00521	DIAPHRAGM VALVE NORYL NO Y521 BUNA/EPDM SEAL -DN 25	110	565	OK	164,76
GC00524	DIAPHRAGM VALVE NORYL NO Y524 BUNA/EPDM SEAL -DN 50	110	565	OK	234,28
GC00526	DIAPHRAGM VALVE NORYL NO Y526 BUNA/EPDM SEAL -DN 80	110	565	OK	346,91

Box: WxLxH	Box: Q.ty	Box: Weight	Pallet: WxLxH	Pallet: Q.ty	Pallet: Weight

Certificates	Manufacturer	Sectors
		Industrial



### Accessories

Ref.	Description	Fam.	Subfam.	Disp. Stock	Price Euro
GC00501	UNION END CONNECTOR KIT - DN 25 ISO (PAIR)	110	567	OK	51,25
GC00504	UNION END CONNECTOR KIT - DN 50 ISO (PAIR)	110	567	OK	64,07
GC00506	FLANGED CONNECTOR KIT - DN 80 ISO (PAIR)	110	567	OK	69,19



## Autotrol Residential Valves Series 368

- For automatic and residential water softening systems;
- Valve body in NSF listed Noryl plastic material;
- Valve rubber compounded for cold water, NSF listed material;
- Operating flow rate  $K_v = 3,68$ ;
- Backwash flow rate = 10 lpm @  $\Delta p$  1,72 bar;
- Resin volume range = 5 ÷ 25 litres;
- Available with the following controllers:
- 604 electronic chronometric; 606 electronic volumetric;
- With European transformer 12/230V - 50Hz;
- Accessories (e.g. upper screen, etc.) not included;
- Programmable chronometric regeneration (calendar override) and consumption statistical data memory.



Ref.	Description	Fam.	Subfam.	Disp. Stock	Price Euro
AB300	VAL.368/604 3/4" M REFILL.14 INJ E DLFC 0.9 GPM 12/230V 50HZ EURO PLUG	10	26	OK	382,11
AB301	VAL.368/604 3/4" M REFILL.14 INJ F DLFC 1.20 GPM 12/230V 50HZ EURO PLUG	10	26	OK	382,11
AB302	VAL.368/604 3/4" M REFILL.14 INJ G DLFC 1.60 GPM 12/230V 50HZ EURO PLUG	10	26	OK	382,11
AB303	VAL.368/604 3/4" M REFILL.14 INJ H DLFC 2.00 GPM 12/230V 50HZ EURO PLUG	10	26	OK	378,32
AB400	VAL.368/606 3/4" M REFILL.14 INJ E DLFC 0.9 GPM 12/230V 50HZ EURO PLUG	10	27	OK	509,13
AB401	VAL.368/606 3/4" M REFILL.14 INJ F DLFC 1.20 GPM 12/230V 50HZ EURO PLUG	10	27	OK	467,49
AB402	VAL.368/606 3/4" M REFILL.14 INJ G DLFC 1.60 GPM 12/230V 50HZ EURO PLUG	10	27	OK	514,24
AB403	VAL.368/606 3/4" M REFILL.14 INJ H DLFC 2.00 GPM 12/230V 50HZ EURO PLUG	10	27	OK	467,49
AB501	VAL.368/606 3/4" M REF.14 INJ F DLFC 1.20 GPM 12/230V 50HZ EUR P+ BYPASS	10	28	OK	582,75
AB502	VAL.368/606 3/4" M REF.14 INJ G DLFC 1.60 GPM 12/230V 50HZ EUR P+ BYPASS	10	28	OK	582,75
AB503	VAL.368/606 3/4" M REF.14 INJ H DLFC 2.00 GPM 12/230V 50HZ EUR P+ BYPASS	10	28	OK	582,75

Characteristics:	
Pressure vessel connection	Threaded 2 1/2" 8 UN male
Brine line connection	Threaded 3/8" NPT male
Distributor tube O. D. diameter	1,05" (= 27 mm)
Distributor tube length above pressure vessel	± 1/2" (= ± 13 mm)
Weight (valve + controller)	1,7 kg
Operating pressure	1,38 ÷ 8,27 bar
Water temperature	2°C ÷ 38°C

Box: WxLxH	Box: Q.ty	Box: Weight	Pallet: WxLxH	Pallet: Q.ty	Pallet: Weight
	1				

Certificates	Manufacturer	Sectors
DM174-2004 ACS CE	Pentair	Domestic, Commercial



## Autotrol Residential Valves Series 255 with 460 tc Controller

- For automatic and residential water softening systems;
- valve body in NSF listed Noryl plastic material;
- valve rubber compounded for cold water, NSF listed material;
- operating flow rate Kv = 3,4;
- backwash flow rate = 22,7 lpm @ Δp 1,72 bar;
- resin volume range = 5 ÷ 75 litres;
- available with series 400 controller;
- 460tc electronic chronometric;
- with European transformer 12/230V - 50Hz;
- adapters and manifold kit not included, to order separately;
- accessories (e.g. upper screen, etc.) not included.



Ref.	Description	Fam.	Subfam.	Disp. Stock	Price Euro
AA310	VALV. 255/460tc 59´ A-A 07 12/220V 50HZ SYM	10	5	OK	467,20
AA311	VALV. 255/460tc 59´ A-A 08 12/220V 50HZ SYM	10	5	OK	467,20
AA313	VALV. 255/460tc 118´ A-A 08 12/220V 50HZ SYM	10	5	OK	449,20
AA315	VALV. 255/460TC 118´ B-B 10 12/220V 50HZ SYM	10	5	OK	467,20

Characteristics :	
Pressure vessel connection	Threaded 2 ½" 8 UN male
Brine line connection	Threaded ¼" NPT male
Distributor tube O. D. diameter	1,05" (= 27 mm)
Distributor tube length above pressure vessel	29 ± 3 mm
Weight (valve + controller)	1,8 kg
Operating pressure	1,38 ÷ 8,27 bar
Water temperature	2°C ÷ 38°C

Box: WxLxH	Box: Q.ty	Box: Weight	Pallet: WxLxH	Pallet: Q.ty	Pallet: Weight
	1				

Certificates	Manufacturer	Sectors
DM174-2004 ACS CE	Pentair	Domestic



## Autotrol Residential Valves Series 255 with Easy IQ Controller



- For automatic and residential water softening systems;
- valve body in NSF listed Noryl plastic material;
- valve rubber compounded for cold water, NSF listed material; operating flow rate Kv = 3,4;
- backwash flow rate = 22,7 lpm @ Δp 1,72 bar;
- resin volume range = 5 ÷ 75 litres;
- available with Easy IQ controller:
- with European transformer 12/230V - 50Hz (or with UK transformer for UK references);
- adapters and manifold kit not included, to order sep arately;
- accessories (e.g. upper screen, etc.) not included;
- **Note: references ending with letter B feature a blue ring (standard Pentair version).**

Ref.	Description	Fam.	Subfam.	Disp. Stock	Price Euro
A255EIQ090	VALV. 255 EASY IQ TC INJ.F BW#7 EURO PLUG	10	636	OK	436,65
A255EIQ091	VALV. 255 EASY IQ TC INJ.G BW#8 EURO PLUG	10	636	OK	436,65
A255EIQ092	VALV. 255 EASY IQ TC INJ.H BW#9 EURO PLUG	10	636	OK	436,65
A255EIQ093	VALV. 255 EASY IQ TC INJ.J BW#10 EURO PLUG	10	636	OK	436,65
A255EIQ005B	PN VALV. 255 EASY IQ TC INJ.J BW#10 EURO PLUG	10	636	OK	408,25
A255EIQ093UK	VALV. 255 EASY IQ TC INJ.J BW#10 UK PLUG	10	636	NO	430,50
A255EIQ290	VALV. 255 EASY IQ METER INJ.F BW#7 EURO PLUG	10	637	OK	587,17
A255EIQ291	VALV. 255 EASY IQ METER INJ.G BW#8 EURO PLUG	10	637	OK	587,17
A255EIQ203B	PN VALV. 255 EASY IQ METER INJ.G BW#8 EURO PLUG	10	637	OK	557,27
A255EIQ292	VALV. 255 EASY IQ METER INJ.J BW#10 EURO PLUG	10	637	OK	587,17
A255EIQ205B	PN VALV. 255 EASY IQ METER INJ.J BW#10 EURO PLUG	10	637	OK	557,27
A255EIQ292UK	VALV. 255 EASY IQ VOLUM. INJ.J BW#10 UK PLUG	10	637	NO	578,90
A255EIQ293	VALV. 255 EASY IQ METER INJ.H BW#9 EURO PLUG	10	637	OK	587,17

Characteristics :	
Pressure vessel connection	Threaded 2 ½" 8 UN male
Brine line connection	Threaded ¼" NPT male
Distributor tube O. D. diameter	1,05" (= 27 mm)
Distributor tube length above pressure vessel	29 ± 3 mm
Weight (valve + controller)	1,8 kg
Operating pressure	1,38 ÷ 8,27 bar
Water temperature	2°C ÷ 38°C

Box: WxLxH	Box: Q.ty	Box: Weight	Pallet: WxLxH	Pallet: Q.ty	Pallet: Weight
	1				

Certificates	Manufacturer	Sectors
DM174-2004, ACS, CE	Pentair	Domestic



## Signature Autotrol Residential Valves Kit Series 255 with Easy IQ Controller



- each 30 piece kit includes 30 Autotrol Valves 255 EIQ;
- for automatic and residential water softening systems;
- valve body in NSF listed Noryl plastic material;
- valve rubber compounded for cold water, NSF listed material; operating flow rate  $K_v = 3,4$ ;
- backwash flow rate = 22,7 lpm @  $\Delta p$  1,72 bar;
- resin volume range = 5 ÷ 75 litres;
- available with Easy IQ controller;
- with European transformer 12/230V - 50Hz;
- each 30 piece kit includes 30 pieces of each following items: 256 Bypass, Kit Mounting 255 - 1" 60"L, Coude 1/2", Fittings Union Elbow 3/8" x 3/8" Tube;
- any other adapter, manifold or accessory is not included.

NOTE: these products are not available in stock.

Ref.	Description	Fam.	Subfam.	Disp. Stock	Price Euro
SIG255EIQ-001	255 EIQ METER WITH ACCESSORIES - 08 (30 PCS) PN	10	637	NO	19079,96
SIG255EIQ-002	255 EIQ METER WITH ACCESSORIES - 10 (30 PCS) PN	10	637	NO	19079,96

Characteristics :	
Pressure vessel connection	Threaded 2 ½" 8 UN male
Brine line connection	Threaded ¼" NPT male
Distributor tube O. D. diameter	1,05" (= 27 mm)
Distributor tube length above pressure vessel	29 ± 3 mm
Weight (valve + controller)	1,8 kg
Operating pressure	1,38 ÷ 8,27 bar
Water temperature	2°C ÷ 38°C

Box: WxLxH	Box: Q.ty	Box: Weight	Pallet: WxLxH	Pallet: Q.ty	Pallet: Weight

Certificates	Manufacturer	Sectors
DM174-2004, ACS, CE	Pentair	Domestic





## Autotrol Residential Valves Series 255 with Series Logix Controller

- For automatic and residential water softening systems;
- valve body in NSF listed Noryl plastic material;
- valve rubber compounded for cold water, NSF listed material; operating flow rate Kv = 3,4;
- backwash flow rate = 22,7 lpm @ Δp 1,72 bar;
- resin volume range = 5 ÷ 75 litres;
- available with series LOGIX controller:
- 740 C electronic chronometric;
- 760 C electronic volumetric;
- 742 C electronic chronometric programmable;
- 762 C electronic volumetric programmable;
- with European transformer 12/230V - 50Hz;
- adapters and manifold kit not included, to order sep arately;
- accessories (e.g. upper screen, etc.) not included.



Ref	Description	Fam.	Subfam.	Disp. Stock	Price Euro
AA203E	VALV. 255/740C BW 07 INJ F SYMBOL 12/230V 50HZ EURO PLUG	10	6	NO	488,40
AA212E	VALV. 255/740C BW 10 INJ J SYMBOL 12/230V 50HZ EURO PLUG	10	6	NO	495,88
AA212EE	VALV. 255/740C BW 10 INJ J SYMBOL 12/230V 50HZ ENG. PLUG	10	6	NO	507,89
AA101E	VALV. 255/742C .33 F 07 SYMBOL 12/230V 50HZ EUROPLUG	10	7	NO	539,10
AA104E	VALV. 255/742C .33 J 10 SYMBOL 12/230V 50HZ EUROPLUG	10	7	NO	539,10
AC203E	VALV. 255/760C BW 07 INJ F SYMBOL 12/230V 50HZ EURO PLUG	10	16	NO	577,50
AC206E	VALV. 255/760C BW 08 INJ G SYMBOL 12/230V 50HZ EURO PLUG	10	16	NO	635,13
AC209E	VALV. 255/760C BW 09 INJ H SYMBOL 12/230V 50HZ EURO PLUG	10	16	NO	635,13
AC212E	VALV. 255/760C BW 10 INJ J SYMBOL 12/230V 50HZ EURO PLUG	10	16	NO	622,32
AC212EE	VALV. 255/760C BW 10 INJ J SYMBOL 12/230V 50HZ ENG. PLUG	10	16	NO	635,13
AC215E	VALV. 255/760C BW 12 INJ K SYMBOL 12/230V 50HZ EURO PLUG	10	16	NO	635,13
AC218E	VALV. 255/760C BW 13 INJ L SYMBOL 12/230V 50HZ EURO PLUG	10	16	NO	647,18
AC221E	VALV. 255/760C BW 14 INJ L SYMBOL 12/230V 50HZ EURO PLUG	10	16	NO	711,75
AC101E	VALV. 255/762C .33 F 07 SYMBOL 12/230V 50HZ EUROPLUG	10	17	NO	693,09
AC102E	VALV. 255/762C .33 G 08 SYMBOL 12/230V 50HZ EUROPLUG	10	17	NO	693,09
AC104E	VALV. 255/762C .33 J 10 SYMBOL 12/230V 50HZ EUROPLUG	10	17	NO	692,51
AC105E	VALV. 255/762C .33 K 12 SYMBOL 12/230V 50HZ EUROPLUG	10	17	NO	704,55
AC106E	VALV. 255/762C .33 L 13 SYMBOL 12/230V 50HZ EUROPLUG	10	17	NO	704,55

Characteristics :	
Pressure vessel connection	Threaded 2 ½" 8 UN male
Brine line connection	Threaded ¼" NPT male
Distributor tube O. D. diameter	1,05" (= 27 mm)
Distributor tube length above pressure vessel	29 ± 3 mm
Weight (valve + controller)	1,8 kg
Operating pressure	1,38 ÷ 8,27 bar
Water temperature	2°C ÷ 38°C

Box: WxLxH	Box: Q.ty	Box: Weight	Pallet: WxLxH	Pallet: Q.ty	Pallet: Weight
	1				

Certificates	Manufacturer	Sectors
DM174-2004, ACS, CE	Pentair	Domestic



## Signature Autotrol Residential Valves Kit Series 255 with Series Logix Controller



- each 30 piece kit includes 30 Autotrol Valves 255-760C;
- each 10 piece kit includes 10 Autotrol Valves 255-760C;
- for automatic and residential water softening systems;
- valve body in NSF listed Noryl plastic material;
- valve rubber compounded for cold water, NSF listed material; operating flow rate  $K_v = 3,4$ ;
- backwash flow rate = 22,7 lpm @  $\Delta p$  1,72 bar;
- resin volume range = 5 ÷ 75 litres;
- available with 760 C electronic volumetric LOGIX controller;
- with European transformer 12/230V - 50Hz;
- each 30 piece kit includes 30 pieces of each following items: 256 Bypass, Kit Mounting 255 - 1" 60"L, Coude 1/2", Fittings Union Elbow 3/8" x 3/8" Tube;
- each 10 piece kit includes 10 pieces of each following items: 256 Bypass, Kit Mounting 255 - 1" 60"L, Coude 1/2", Fittings Union Elbow 3/8" x 3/8" Tube;
- any other adapter, manifold or accessory is not included.

NOTE: these products are not available in stock.

Ref.	Description	Fam.	Subfam.	Disp. Stock	Price Euro
SIG255WQ-001-30	255 MTD + 760C WITH ACCESSORIES - 06 (30 PCS)	10	16	NO	19393,56
SIG255WQ-003-30	255 MTD + 760C WITH ACCESSORIES - 08 (30 PCS)	10	16	NO	19393,56
SIG255WQ-004-30	255 MTD + 760C WITH ACCESSORIES - 10 (30 PCS)	10	16	NO	19393,56
SIG255WQ-003-10	255 MTD + 760C WITH ACCESSORIES - 08 (10 PCS)	10	16	NO	6620,36
SIG255WQ-004-10	255 MTD + 760C WITH ACCESSORIES - 10 (10 PCS)	10	16	NO	6620,36

Characteristics :	
Pressure vessel connection	Threaded 2 1/2" 8 UN male
Brine line connection	Threaded 1/4" NPT male
Distributor tube O. D. diameter	1,05" (= 27 mm)
Distributor tube length above pressure vessel	29 ± 3 mm
Weight (valve + controller)	1,8 kg
Operating pressure	1,38 ÷ 8,27 bar
Water temperature	2°C ÷ 38°C

Box: WxLxH	Box: Q.ty	Box: Weight	Pallet: WxLxH	Pallet: Q.ty	Pallet: Weight

Certificates	Manufacturer	Sectors
DM174-2004, ACS, CE	Pentair	Domestic



## Residential Duplex Systems with Autotrol Valves Series 255 Twin and 764 Controller



- For automatic and residential / commercial water softening systems;
- For twin alternating and twin parallel systems;
- consisting of n.2 valves (one "main" and another one "secondary") with 764 electronic volumetric;
- with European transformer 12/230V - 50Hz;
- valve body in NSF listed Noryl plastic material;
- valve rubber compounded for cold water, NSF listed material;
- operating flow rate for each tank  $K_v = 3,4$ ;
- backwash flow rate for each tank = 22,7 lpm @  $\Delta p$  1,72 bar;
- resin volume range for each tank = 5 ÷ 75 litres;
- interconnection kit (REF. AV119) and accessories (e.g. upper screen, etc.) not included, to order separately.

Ref.	Description	Fam.	Subfam.	Disp. Stock	Price Euro
AF054E	VALV. 255/764 TWIN BW 10 INJ J SYMBOL 12/230V 50HZ EURO PLUG	10	30	OK	975,28
AF056E	VALV. 255/764 TWIN BW 13 INJ L SYMBOL 12/230V 50HZ EURO PLUG	10	30	OK	975,28

Characteristics:	
Pressure vessel connection	Threaded 2 1/2" 8 UN male
Drain line connection	Threaded 1/2" male, included in interconnection kit
Brine line connection	Threaded 1/4" NPT male
Distributor tube O. D. diameter	1,05" (= 27 mm)
Distributor tube length above pressure vessel	29 ± 3 mm
Weight (valve + controller)	1,8 kg
Operating pressure	1,38 ÷ 8,27 bar
Water temperature	2°C ÷ 38°C

Box: WxLxH	Box: Q.ty	Box: Weight	Pallet: WxLxH	Pallet: Q.ty	Pallet: Weight
	1				

Certificates	Manufacturer	Sectors
DM174-2004, ACS, CE	Pentair	Domestic



## Autotrol Residential Valves Series 263 with 460tc Controller

- For automatic and residential water filtration systems;
- with 460tc electronic chronometric controller;
- valve body in NSF listed Noryl plastic material;
- valve rubber compounded for cold water, NSF listed material;
- operating flow rate  $K_v = 5,6$ ;
- backwash flow rate = 75,7 lpm @  $\Delta p$  1,72 bar;
- with European transformer 12/230V - 50Hz;
- adapters and manifold kit not included, to order separately;
- accessories (ex. upper screen, etc.) not included.



Ref	Description	Fam.	Subfam.	Disp. Stock	Price Euro
AL060	VALV. 263/460tc 118' BW 12 - 12V.50 HZ SYM	10	45	NO	518,99

Characteristics :	
Pressure vessel connection	Threaded 2 ½" 8 UN male
Drain line connection	Threaded ¾" NPT, male
Brine line connection	Threaded ¾" NPT, male
Distributor tube O. D. diameter	1,05" (= 27 mm)
Distributor tube length above pressure vessel	29 ± 3 mm
Weight (valve + controller)	2,00 kg
Operating pressure	1,38 ÷ 8,27 bar
Water temperature	2°C ÷ 38°C

Box: WxLxH	Box: Q.ty	Box: Weight	Pallet: WxLxH	Pallet: Q.ty	Pallet: Weight
	1				

Certificates	Manufacturer	Sectors
DM174-2004, ACS, CE	Pentair	Domestic



## Autotrol Residential Valves Series 268 with Easy IQ Controller



- For automatic and residential water softening systems;
- valve body in NSF listed Noryl plastic material;
- valve rubber compounded for cold water, NSF listed material;
- operating flow rate Kv = 5,6;
- backwash flow rate = 75,7 lpm @ Δp 1,72 bar;
- resin volume range = 30 ÷ 125 litres;
- available with Easy IQ controller;
- with European transformer 12/230V - 50Hz;
- adapters and manifold kit not included, to order separately;
- accessories (e.g. upper screen, etc.) not included;
- **Note: references ending with letter B feature a blue ring (standard Pentair version).**

Ref.	Description	Fam.	Subfam.	Disp. Stock	Price Euro
A268EIQ090	VALV. 268 EASY IQ TC INJ.K BW#12 EURO PLUG	10	646	OK	461,50
A268EIQ003B	PN VALV. 268 EASY IQ TC INJ.L BW#13 EURO PLUG	10	646	OK	443,75
A268EIQ203B	PN VALV. 268 EASY IQ METER INJ.L BW#13 EURO PLUG	10	646	OK	628,35
A268EIQ290	VALV. 268 EASY IQ METER INJ.L BW#14 EURO PLUG	10	646	OK	674,50

Characteristics:	
Pressure vessel connection	Threaded 2 ½" 8 UN male
Drain line connection	Threaded ¾" NPT, male
Brine line connection	Threaded ¾" NPT, male
Distributor tube O. D. diameter	1,05" (= 27 mm)
Distributor tube length above pressure vessel	½" ± ½" (= 13 ± 13 mm)
Weight (valve + controller)	2,42 kg
Operating pressure	1,38 ÷ 8,27 bar
Water temperature	2°C ÷ 38°C

Box: WxLxH	Box: Q.ty	Box: Weight	Pallet: WxLxH	Pallet: Q.ty	Pallet: Weight
	1				

Certificates	Manufacturer	Sectors
DM174-2004, ACS, CE	Pentair	Domestic



## Autotrol Residential Valves Series 268 with Series Logix Controller



- For automatic and residential water softening systems;
- valve body in NSF listed Noryl plastic material;
- valve rubber compounded for cold water, NSF listed material;
- operating flow rate Kv = 5,6;
- backwash flow rate = 75,7 lpm @ Δp 1,72 bar;
- resin volume range = 30 ÷ 125 litres;
- available with series LOGIX controller:
- 740 C electronic chronometric;
- 760 C electronic volumetric;
- 742 C electronic chronometric programmable;
- 762 C electronic volumetric programmable;
- with European transformer 12/230V - 50Hz;
- adapters and manifold kit not included, to order separately;
- accessories (e.g. upper screen, etc.) not included.

Ref	Description	Fam.	Subfam.	Disp. Stock	Price Euro
AM218E	VALV. 268/740C BW 13 INJ L SYMBOL 12/230V 50HZ EURO PLUG	10	47	NO	547,06
AM061E	VALV. 268/742C .33 J 10 SYMBOL 12/230V 50HZ EUROPLUG	10	46	NO	521,11
AM062E	VALV. 268/742C .33 K 12 SYMBOL 12/230V 50HZ EUROPLUG	10	46	NO	521,07
AP221E	VALV. 268/760C BW 14 INJ L SYMBOL 12/230V 50HZ EURO PLUG	10	49	NO	733,24
AP042E	VALV. 268/762C .33 K 12 SYMBOL 12/230V 50HZ EUROPLUG	10	51	NO	790,66
AP044E	VALV. 268/762C .33 L 14 SYMBOL 12/230V 50HZ EUROPLUG	10	51	NO	755,98

Characteristics:	
Pressure vessel connection	Threaded 2 ½" 8 UN male
Drain line connection	Threaded ¾" NPT, male
Brine line connection	Threaded ¾" NPT, male
Distributor tube O. D. diameter	1,05" (= 27 mm)
Distributor tube length above pressure vessel	½" ± ½" (= 13 ± 13 mm)
Weight (valve + controller)	2,42 kg
Operating pressure	1,38 ÷ 8,27 bar
Water temperature	2°C ÷ 38°C

Box: WxLxH	Box: Q.ty	Box: Weight	Pallet: WxLxH	Pallet: Q.ty	Pallet: Weight
	1				

Certificates	Manufacturer	Sectors
DM174-2004, ACS, CE	Pentair	Domestic



## Autotrol Residential Valves Series 263 with Easy IQ Controller



- For automatic and residential water filtration systems;
- valve body in NSF listed Noryl plastic material;
- valve rubber compounded for cold water, NSF listed material;
- operating flow rate Kv = 5,6;
- backwash flow rate = 75,7 lpm @ Δp 1,72 bar;
- available with Easy IQ controller;
- with European transformer 12/230V - 50Hz;
- adapters and manifold kit not included, to order separately;
- accessories (e.g. upper screen, etc.) not included;
- **Note: references ending with letter B feature a blue ring (standard Pentair version).**

Ref.	Description	Fam.	Subfam.	Disp. Stock	Price Euro
A263EIQ090	VALV. 263 EASY IQ TC FILTER INJ.L NO BW EURO PLUG	10	643	OK	461,50
A263EIQ001B	PN VALV. 263 EASY IQ TC FILTER INJ.L NO BW EURO PLUG	10	643	OK	443,75

Characteristics:	
Pressure vessel connection	Threaded 2 ½" 8 UN male
Drain line connection	Threaded ¾" NPT, male
Brine line connection	Threaded ¾" NPT, male
Distributor tube O. D. diameter	1,05" (= 27 mm)
Distributor tube length above pressure vessel	½" ± ½" (= 13 ± 13 mm)
Weight (valve + controller)	2,42 kg
Operating pressure	1,38 ÷ 8,27 bar
Water temperature	2°C ÷ 38°C

Box: WxLxH	Box: Q.ty	Box: Weight	Pallet: WxLxH	Pallet: Q.ty	Pallet: Weight
	1				

Certificates	Manufacturer	Sectors
DM174-2004, ACS, CE	Pentair	Domestic



## Autotrol Residential Valves Series 263 with Series Logix Controller



- For automatic and residential water filtration systems;
- valve body in NSF listed Noryl plastic material;
- valve rubber compounded for cold water, NSF listed material;
- operating flow rate Kv = 5,6;
- backwash flow rate = 75,7 lpm @ Δp 1,72 bar;
- available with series LOGIX controller:
- 740 F electronic chronometric;
- 742 F electronic chronometric programmable;
- with European transformer 12/230V - 50Hz;
- adapters and manifold kit not included, to order separately;
- accessories (e.g. upper screen, etc.) not included.

Ref	Description	Fam.	Subfam.	Disp. Stock	Price Euro
AL209E	VALV. 263/740F BW 13 INJ H SYMBOL 12/230V 50HZ EURO PLUG	10	43	NO	484,42
AL215E-00	VALV.263/740F NO BW INJ K SYMBOL 12/230V 50HZ EURO PLUG	10	43	NO	455,19
AL075E-00	VALV.263/742F NO BW INJ L SYMBOL 12/230V 50HZ EURO PLUG	10	41	NO	494,72

Characteristics:	
Pressure vessel connection	Threaded 2 ½" 8 UN male
Drain line connection	Threaded ¾" NPT, male
Brine line connection	Threaded ¾" NPT, male
Distributor tube O. D. diameter	1,05" (= 27 mm)
Distributor tube length above pressure vessel	½" ± ½" (= 13 ± 13 mm)
Weight (valve + controller)	2,42 kg
Operating pressure	1,38 ÷ 8,27 bar
Water temperature	2°C ÷ 38°C

Box: WxLxH	Box: Q.ty	Box: Weight	Pallet: WxLxH	Pallet: Q.ty	Pallet: Weight
	1				

Certificates	Manufacturer	Sectors
DM174-2004, ACS, CE	Pentair	Domestic





## Signature Autotrol Residential Valves Kit 263-740F



- the kit includes 30 Autotrol Valves 263-740F;
- for automatic and residential water filtration systems;
- valve body in NSF listed Noryl plastic material;
- valve rubber compounded for cold water, NSF listed material;
- operating flow rate  $K_v = 5,6$ ;
- backwash flow rate = 75,7 lpm @  $\Delta p$  1,72 bar;
- with 740 F electronic chronometric LOGIX controller;
- with European transformer 12/230V - 50Hz;
- the kit includes 30 pieces of each following items: 1265 Bypass, Distributor Basket Top 1,05", FTG Hose Adapter Elbow 1,2" Hose 3/4";
- any other adapter, manifold or accessory is not included.

NOTE: this product is not available in stock.

Ref.	Description	Fam.	Subfam.	Disp. Stock	Price Euro
SIG263WC-001-30	263 + 740F WITH ACCESSORIES - 13 (30 PCS)	10	43	NO	15178,32

Characteristics:	
Pressure vessel connection	Threaded 2 1/2" 8 UN male
Drain line connection	Threaded 3/4" NPT, male
Brine line connection	Threaded 3/8" NPT, male
Distributor tube O. D. diameter	1,05" (= 27 mm)
Distributor tube length above pressure vessel	1/2" $\pm$ 1/2" (= 13 $\pm$ 13 mm)
Weight (valve + controller)	2,42 kg
Operating pressure	1,38 $\div$ 8,27 bar
Water temperature	2°C $\div$ 38°C

Box: WxLxH	Box: Q.ty	Box: Weight	Pallet: WxLxH	Pallet: Q.ty	Pallet: Weight

Certificates	Manufacturer	Sectors
DM174-2004, ACS, CE	Pentair	Domestic



## Autotrol Residential Valves Series 268FA with Easy IQ Controller



- For automatic and residential water 5 cycles iron removal systems;
- valve body in NSF listed Noryl plastic material;
- valve rubber compounded for cold water, NSF listed material;
- operating flow rate Kv = 5,6;
- backwash flow rate = 75,7 lpm @ Δp 1,72 bar;
- available with Easy IQ controller;
- with European transformer 12/230V - 50Hz;
- adapters and manifold kit not included, to order separately;
- accessories (e.g. upper screen, etc.) not included.

Ref.	Description	Fam.	Subfam.	Disp. Stock	Price Euro
A268FAEIQ090	VALV. 268FA EASY IQ 13" FILTER INJ.L DI REFILL CAP(10 GPM) EURO PLUG	10	648	OK	479,67

Characteristics :	
Pressure vessel connection	Threaded 2 ½" 8 UN male
Drain line connection	Threaded ¾" NPT, male
Brine line connection	Threaded ¾" NPT, male
Distributor tube O. D. diameter	1,05" (= 27 mm)
Distributor tube length above pressure vessel	½" ± ½" (= 13 ± 13 mm)
Weight (valve + controller)	2,42 kg
Operating pressure	1,38 ÷ 8,27 bar
Water temperature	2°C ÷ 38°C

Box: WxLxH	Box: Q.ty	Box: Weight	Pallet: WxLxH	Pallet: Q.ty	Pallet: Weight
	1				

Certificates	Manufacturer	Sectors
DM174-2004, ACS, CE	Pentair	Domestic



## Autotrol Residential Valves Series 268FA with Series Logix Controller



- For automatic and residential water 5 cycles iron removal systems;
- valve body in NSF listed Noryl plastic material;
- valve rubber compounded for cold water, NSF listed material;
- operating flow rate Kv = 5,6;
- backwash flow rate = 75,7 lpm @ Δp 1,72 bar;
- available with series LOGIX controller:
- 742 F electronic chronometric programmable;
- 762 F electronic volumetric programmable;
- with European transformer 12/230V - 50Hz;
- adapters and manifold kit not included, to order separately;
- accessories (e.g. upper screen, etc.) not included.

Ref	Description	Fam.	Subfam.	Disp. Stock	Price Euro
AQ066E	VALV. 268FA/742 BW 10 GPM (13") INJ L SYMBOL 12/230V 50HZ EURO PLUG	10	48	NO	573,08

Characteristics :	
Pressure vessel connection	Threaded 2 1/2" 8 UN male
Drain line connection	Threaded 3/4" NPT, male
Brine line connection	Threaded 3/8" NPT, male
Distributor tube O. D. diameter	1,05" (= 27 mm)
Distributor tube length above pressure vessel	1/2" ± 1/2" (= 13 ± 13 mm)
Weight (valve + controller)	2,42 kg
Operating pressure	1,38 ÷ 8,27 bar
Water temperature	2°C ÷ 38°C

Box: WxLxH	Box: Q.ty	Box: Weight	Pallet: WxLxH	Pallet: Q.ty	Pallet: Weight
	1				

Certificates	Manufacturer	Sectors
DM174-2004, ACS, CE	Pentair	Domestic



## Autotrol Residential Valves Series 269 with Easy IQ Controller



- For automatic and residential water softening systems;
- variable brining upflow regeneration;
- valve body in NSF listed Noryl plastic material;
- valve rubber compounded for cold water, NSF listed material;
- operating flow rate  $K_v = 5,6$ ;
- backwash flow rate = 75,7 lpm @  $\Delta p$  1,72 bar;
- resin volume up to 75 litres;
- available with Easy IQ controller;
- with European transformer 12/230V - 50Hz;
- adapters and manifold kit not included, to order separately;
- accessories (e.g. upper screen, etc.) not included;
- designed for resin volume < 50 liter with 10" tank. For tanks with a different diameter, please order separately correct DLFC. For resin volume > 50 liter, please order separately the 8 BUMP injector (ref. AW387).

Ref.	Description	Fam.	Subfam.	Disp. Stock	Price Euro
A269EIQ001	VALV. 269 EASY IQ UPFLOW UP TO 14" INJ.5 BW#10 EURO PLUG	10	651	OK	781,00

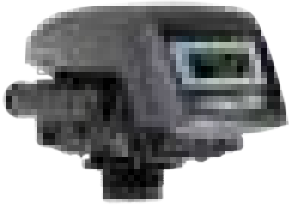
Characteristics:	
Pressure vessel connection	Threaded 2 ½" 8 UN male
Drain line connection	Threaded ¾" NPT, male
Brine line connection	Threaded ¾" NPT, male
Distributor tube O. D. diameter	1,05" (= 27 mm)
Distributor tube length above pressure vessel	½" ± ½" (= 13 ± 13 mm)
Weight (valve + controller)	2,42 kg
Operating pressure	1,38 ÷ 8,27 bar
Water temperature	2°C ÷ 38°C

Box: WxLxH	Box: Q.ty	Box: Weight	Pallet: WxLxH	Pallet: Q.ty	Pallet: Weight
	1				

Certificates	Manufacturer	Sectors
DM174-2004, ACS, CE	Pentair	Domestic



## Autotrol Residential Valves Series 269 with Series Logix Controller



- For automatic and residential water softening systems;
- variable brining upflow regeneration;
- valve body in NSF listed Noryl plastic material;
- valve rubber compounded for cold water, NSF listed material;
- operating flow rate  $K_v = 5,6$ ;
- backwash flow rate = 75,7 lpm @  $\Delta p$  1,72 bar;
- resin volume up to 75 litres;
- available with LOGIX controller 869 electronic volumetric programmable;
- with European transformer 12/230V - 50Hz;
- adapters and manifold kit not included, to order separately;
- accessories (e.g. upper screen, etc.) not included;
- designed for resin volume < 50 liter with 10" tank. For tanks with a different diameter, please order separately correct DLFC. For resin volume > 50 liter, please order separately the 8 BUMP injector (ref. AW387).

Ref.	Description	Fam.	Subfam.	Disp. Stock	Price Euro
AS269	VALV. 269-869 INJ 5B 0.33 BW10 SYMBOL 12/230V50HZ EURO PLUG	10	57	NO	N.A.

Characteristics:	
Pressure vessel connection	Threaded 2 ½" 8 UN male
Drain line connection	Threaded ¾" NPT, male
Brine line connection	Threaded ¾" NPT, male
Distributor tube O. D. diameter	1,05" (= 27 mm)
Distributor tube length above pressure vessel	½" ± ½" (= 13 ± 13 mm)
Weight (valve + controller)	2,42 kg
Operating pressure	1,38 ÷ 8,27 bar
Water temperature	2°C ÷ 38°C

Box: WxLxH	Box: Q.ty	Box: Weight	Pallet: WxLxH	Pallet: Q.ty	Pallet: Weight
	1				

Certificates	Manufacturer	Sectors
DM174-2004 CE	Pentair	Domestic



## Autotrol Residential Valves Series 278 with Easy IQ Controller



- For automatic water softening systems with high resin volume;
- valve body in NSF listed Noryl plastic material;
- valve rubber compounded for cold water, NSF listed material;
- operating flow rate Kv = 5,6;
- backwash flow rate = 75,7 lpm @  $\Delta p$  1,72 bar;
- resin volume range = 45 ÷ 225 litres;
- available with Easy IQ controller;
- with European transformer 12/230V - 50Hz;
- adapters and manifold kit not included, to order separately;
- accessories (e.g. upper screen, etc.) not included;
- **Note: references ending with letter B feature a blue ring (standard Pentair version).**

Ref.	Description	Fam.	Subfam.	Disp. Stock	Price Euro
A278EIQ091	VALV. 278 EASY IQ TC INJ.M REFILL1.3 BW#14 EURO PLUG	10	655	OK	551,67
A278EIQ001 B	PN VALV. 278 EASY IQ TC INJ.M REFILL1.3 BW#14 EURO PLUG	10	655	OK	532,50
A278EIQ291	VALV. 278 EASY IQ METER INJ.M REFILL1.3 BW#14 EURO PLUG	10	657	OK	760,62
A278EIQ201 B	PN VALV. 278 EASY IQ VOLUM. INJ.M REFILL1.3 BW#14 EURO PLUG	10	657	OK	727,75

Characteristics :	
Pressure vessel connection	Threaded 2 ½" 8 UN male
Drain line connection	Threaded ¾" NPT, male
Brine line connection	Threaded ¾" NPT, male
Distributor tube O. D. diameter	1,05" (= 27 mm)
Distributor tube length above pressure vessel	½" ± ½" (= 13 ± 13 mm)
Weight (valve + controller)	2,42 kg
Operating pressure	1,38 ÷ 8,27 bar
Water temperature	2°C ÷ 38°C

Box: WxLxH	Box: Q.ty	Box: Weight	Pallet: WxLxH	Pallet: Q.ty	Pallet: Weight
	1				

Certificates	Manufacturer	Sectors
DM174-2004, ACS, CE	Pentair	Domestic



## Autotrol Residential Valves Series 278 with Series Logix Controller



- For automatic water softening systems with high resin volume;
- valve body in NSF listed Noryl plastic material;
- valve rubber compounded for cold water, NSF listed material;
- operating flow rate Kv = 5,6;
- backwash flow rate = 75,7 lpm @ Δp 1,72 bar;
- resin volume range = 45 ÷ 225 litres;
- available with series LOGIX controller:
- 742 C electronic chronometric programmable;
- 762 C electronic volumetric programmable;
- with European transformer 12/230V - 50Hz;
- adapters and manifold kit not included, to order separately;
- accessories (e.g. upper screen, etc.) not included.

Ref	Description	Fam.	Subfam.	Disp. Stock	Price Euro
AR104E	VALV. 278/742C 1.3 M 14 SYMBOL 12/230V 50HZ EUROPLUG	10	60	NO	633,64
AR105E	VALV. 278/742C 1.3 N 16 (7 GPM) SYMBOL 12/230V 50HZ EURO PLUG	10	60	NO	633,64
AR106E	VALV. 278/742C 1.3 Q 18 (9 GPM) SYMBOL 12/230V 50HZ EURO PLUG	10	60	NO	1316,59
AR114E	VALV. 278/762C 1.3 M 14 SYMBOL 12/230V 50HZ EUROPLUG	10	60	NO	833,29
AR115E	VALV. 278/762C 1.3 N 16 (7 GPM) SYMBOL 12/230V 50HZ EURO PLUG	10	60	NO	833,29
AR116E	VALV. 278/762C 1.3 Q 18 (9 GPM) SYMBOL 12/230V 50HZ EURO PLUG	10	60	NO	833,29
AR117E	VALV. 278/762C 1.3 R 21 (12 GPM) SYMBOL 12/230V 50HZ EURO PLUG	10	60	NO	833,51

Characteristics :	
Pressure vessel connection	Threaded 2 ½" 8 UN male
Drain line connection	Threaded ¾" NPT, male
Brine line connection	Threaded ¾" NPT, male
Distributor tube O. D. diameter	1,05" (= 27 mm)
Distributor tube length above pressure vessel	½" ± ½" (= 13 ± 13 mm)
Weight (valve + controller)	2,42 kg
Operating pressure	1,38 ÷ 8,27 bar
Water temperature	2°C ÷ 38°C

Box: WxLxH	Box: Q.ty	Box: Weight	Pallet: WxLxH	Pallet: Q.ty	Pallet: Weight
	1				

Certificates	Manufacturer	Sectors
DM174-2004, CS, CE	Pentair	Commercial, Industrial



## Residential Duplex Systems with Autotrol Residential Valves Series 278 Twin and 764 Controller



- For automatic and residential / commercial water softening systems;
- for twin alternating and twin parallel systems;
- consisting of n.2 valves (one "main" and another one "secondary") with 764 electronic volumetric;
- with European transformer 12/230V - 50Hz;
- valve body in NSF listed Noryl plastic material;
- valve rubber compounded for cold water, NSF listed material;
- operating flow rate for each tank  $K_v = 5,6$ ;
- backwash flow rate for each tank = 75,7 lpm @  $\Delta p$  1,72 bar;
- resin volume range for each tank = 45 ÷ 225 litres;
- interconnection kit and accessories (e.g. upper screen, etc.) not included, to order separately

Ref	Description	Fam.	Subfam.	Disp. Stock	Price Euro
AN083E	VALV. 278/764 TWIN 1.3 M 14 SYMBOL 12/230V 50HZ EURO PLUG	10	53	OK	1326,19
AN084E	VALV. 278/764 TWIN 1.3 N 16 (7 GPM) SYMBOL 12/230V 50HZ EURO PLUG	10	53	OK	1326,19
AN085E	VALV. 278/764 TWIN 1.3 Q 18 (9 GPM) SYMBOL 12/230V 50HZ EURO PLUG	10	53	OK	1326,19
AN086E	VALV. 278/764 TWIN 1.3 R 21 (12 GPM) SYMBOL 12/230V 50HZ EURO PLUG	10	53	OK	1326,19

Characteristics :	
Pressure vessel connection	Threaded 2 ½" 8 UN male
Drain line connection	Threaded ¾" NPT, male
Brine line connection	Threaded ¾" NPT, male
Distributor tube O. D. diameter	1,05" (= 27 mm)
Distributor tube length above pressure vessel	½" ± ½" (= 13 ± 13 mm)
Weight (valve + controller)	2,42 kg
Operating pressure	1,38 ÷ 8,27 bar
Water temperature	2°C ÷ 38°C

Box: WxLxH	Box: Q.ty	Box: Weight	Pallet: WxLxH	Pallet: Q.ty	Pallet: Weight
	1				

Certificates	Manufacturer	Sectors
DM174-2004, ACS, CE	Pentair	Commercial, Industrial





## Autotrol Residential Valves Series 278 with 764 Controller for Multitank Systems



- For automatic and residential / commercial water softening systems;
- with electronic volumetric 764 controller;
- for parallel systems;
- valve body in NSF listed Noryl plastic material;
- valve rubber compounded for cold water, NSF listed material;
- operating flow rate for each tank  $K_v = 5,6$ ;
- backwash flow rate for each tank = 75,7 lpm @  $\Delta p$  1,72 bar;
- resin volume range for each tank = 45 ÷ 225 litres;
- with European transformer 12/230V - 50Hz for each valve;
- adapters and manifold kit not included, to order separately
- accessories (e.g. upper screen, etc.) not included.

Ref	Description	Fam.	Subfam.	Disp. Stock	Price Euro
AN103E	VALV. 278/764L 1.3 M 14 SYMBOL 12/230V 50HZ EUROPLUG	10	53	OK	920,45

Characteristics :	
Pressure vessel connection	Threaded 2 ½" 8 UN male
Drain line connection	Threaded ¾" NPT, male
Brine line connection	Threaded ¾" NPT, male
Distributor tube O. D. diameter	1,05" (= 27 mm)
Distributor tube length above pressure vessel	½" ± ½" (= 13 ± 13 mm)
Weight (valve + controller)	2,42 kg
Operating pressure	1,38 ÷ 8,27 bar
Water temperature	2°C ÷ 38°C

Box: WxLxH	Box: Q.ty	Box: Weight	Pallet: WxLxH	Pallet: Q.ty	Pallet: Weight
	1				

Certificates	Manufacturer	Sectors
DM174-2004, ACS, CE	Pentair	Commercial, Industrial



## Autotrol Industrial Softening Magnum CV 1,5" Valves with Series Logix Controller



- For automatic and industrial water softening systems;
- valve body in NSF listed Noryl plastic material with 304 Stainless Steel tank adapter (for heavy applications, like iron removal using KMnO4 or decarbonisation using HCl, the Noryl tank adapter is available on request);
- o-rings in EPDM material;
- operating flow rate Kv = 17,3;
- backwash flow rate = 337 lpm @ Δp 1,72 bar;
- resin volume range = 100 ÷ 700 litres;
- available with series LOGIX controller;
- 742 electronic chronometric programmable;
- 762 electronic volumetric programmable;
- with European transformer 12/230V - 50/60 Hz;
- available with or without by-pass;
- adapters, manifold kit and accessories (e.g. upper screen, etc.) not included, to order separately;
- brine tank refill system doesn't need a brine valve, but just an air-check;
- PVC 2" side mounting adapter available on demand;
- if you want to connect the 2" turbine, you must order our ref. CD163 separately.

Ref	Description	Fam.	Subfam.	Disp. Stock	Price Euro
CA201E	MAGNUM 1.5" 298/742 16" (6 GPM) HWB SYMBOL 12/230V 50HZ EURO PLUG	20	80	OK	1397,57
CA215E	MAGNUM 1.5" 298/742 30" (20 GPM) NHB SYMBOL 12/230V 50HZ EURO PLUG	20	80	OK	1526,39
CA221E	MAGNUM 1.5" 298/762 16" (6 GPM) HWB SYMBOL 12/230V 50HZ EURO PLUG	20	80	OK	1792,10
CA222E	MAGNUM 1.5" 298/762 18" (8 GPM) HWB SYMBOL 12/230V 50HZ EURO PLUG	20	80	OK	1792,10
CA236E	MAGNUM 1.5" 298/762 36" (30 GPM) NHB SYMBOL 12/230V 50HZ EURO PLUG	20	80	OK	1899,77

Characteristics:	
Pressure vessel connection	Threaded 4" - 8 UN male
Drain line connection	1,5" SS - NPT/BSPT male D50 CPVC to glue
Brine line connection	Threaded ¾" NPT male
Distributor tube O. D. diameter	1,5" (= 48,3 mm)
Pilot drain and auxiliary hydraulic out	¼" tube fitting Jaco
Distributor tube length above pressure vessel	16 ± 3 mm
Weight (valve + controller)	12,3 kg
Operating pressure	1,72 ÷ 6,90 bar
Water temperature	1°C ÷ 36°C

Box: WxLxH	Box: Q.ty	Box: Weight	Pallet: WxLxH	Pallet: Q.ty	Pallet: Weight
41x60x50	1	17,0	120x80x210	16	28,5

Certificates	Manufacturer	Sectors
DM174-2004 CE	Pentair	Commercial, Industrial



## Autotrol Industrial Magnum CV 1,5" Valves for Filtration with Series Logix Controller



- For automatic and industrial water filtration systems;
- valve body in NSF listed Noryl plastic material with 304 Stainless Steel tank adapter (for heavy applications, like sea water, the Noryl tank adapter is available on request);
- o-rings in EPDM material;
- operating flow rate Kv = 17,3;
- backwash flow rate = 337 lpm @ Δp 1,72 bar;
- available with series LOGIX controller
- 742 F electronic chronometric programmable;
- 762 F electronic volumetric programmable;
- with European transformer 12/230V - 50/60 Hz;
- available with or without by-pass;
- adapters, manifold kit and accessories (e.g. upper screen, etc.) not included, to order separately
- PVC 2" side mounting adapter available on demand (REF. CC084).

Ref	Description	Fam.	Subfam.	Disp. Stock	Price Euro
CA240E	MAGNUM 1.5" 293/742F (5 GPM) UWB SYMBOL 12/230V 50HZ EURO PLUG	20	80	OK	1293,90
CA241E	MAGNUM 1.5" 293/742F (5 GPM) NUB SYMBOL 12/230V 50HZ EURO PLUG	20	80	OK	1347,72

Characteristics:	
Pressure vessel connection	Threaded 4" - 8 UN male
Drain line connection	1,5" SS - NPT/BSPT male D50 CPVC to glue
Brine line connection	Threaded ¾" NPT male
Distributor tube O. D. diameter	1,5" (= 48,3 mm)
Pilot drain and auxiliary hydraulic out	¼" tube fitting Jaco
Distributor tube length above pressure vessel	16 ± 3 mm
Weight (valve + controller)	12,3 kg
Operating pressure	1,72 ÷ 6,90 bar
Water temperature	1°C ÷ 36°C

Box: WxLxH	Box: Q.ty	Box: Weight	Pallet: WxLxH	Pallet: Q.ty	Pallet: Weight
	1				

Certificates	Manufacturer	Sectors
DM174-2004 CE	Pentair	Commercial, Industrial



## Autotrol Industrial Softening Magnum IT 2" Valves with Series Logix Controller



- for automatic and industrial water softening systems;
- valve body in NSF listed Noryl plastic material with 304 Stainless Steel tank adapter (for heavy applications, like iron removal using KMnO4 or decarbonisation using HCl, the Noryl tank adapter is available on request);
- o-rings in EPDM material;
- operating flow rate Kv = 18,2;
- backwash flow rate = 337 lpm @ Δp 1,72 bar;
- resin volume range = 100 ÷ 700 litres;
- available with series LOGIX controller:
- 742 electronic chronometric programmable;
- 762 electronic volumetric programmable;
- with European transformer 12/230V - 50/60 Hz;
- available with or without by-pass;
- adapters, manifold kit and accessories (e.g. upper screen, etc.) not included, to order separately;
- brine tank refill system doesn't need a brine valve, but just an air-check;
- PVC 2" side mounting adapter available on demand (REF. CC084).

Ref	Description	Fam.	Subfam.	Disp. Stock	Price Euro
CB202E	MAGNUM IT 2" 298/742 18" (8 GPM) HWB SYMBOL 12/230V 50HZ EURO PLUG	20	81	OK	1417,25
CB221E	MAGNUM IT 2" 298/762 16" (6 GPM) HWB SYMBOL 12/230V 50HZ EURO PLUG	20	81	OK	2206,12
CB222E	MAGNUM IT 2" 298/762 18" (8 GPM) HWB SYMBOL 12/230V 50HZ EURO PLUG	20	81	OK	2211,73
CB223E	MAGNUM IT 2" 298/762 21" (10 GPM) HWB SYMBOL 12/230V 50HZ EURO PLUG	20	81	OK	1940,21
CB224E	MAGNUM IT 2" 298/762 24" (14 GPM) HWB SYMBOL 12/230V 50HZ EURO PLUG	20	81	OK	2212,34
CB226E	MAGNUM IT 2" 298/762 36" (30 GPM) HWB SYMBOL 12/230V 50HZ EURO PLUG	20	81	OK	2211,74
CB234E	MAGNUM IT 2" 298/762 24" (14 GPM) NHB SYMBOL 12/230V 50HZ EURO PLUG	20	81	OK	2047,78
CB236E	MAGNUM IT 2" 298/762 36" (30 GPM) NHB SYMBOL 12/230V 50HZ EURO PLUG	20	81	OK	2016,64

Characteristics:	
Pressure vessel connection	Threaded 4" - 8 UN male
Drain line connection	1,5" SS - NPT/BSPT male D50 CPVC to glue
Brine line connection	Threaded 3/4" NPT male
Distributor tube O. D. diameter	1,5" (= 48,3 mm)
Pilot drain and auxiliary hydraulic out	Jaco 1/4" tubo
Distributor tube length above pressure vessel	16 ± 3 mm
Weight (valve + controller)	12,3 kg
Operating pressure	1,72 ÷ 6,90 bar
Water temperature	1°C ÷ 36°C

Box: WxLxH	Box: Q.ty	Box: Weight	Pallet: WxLxH	Pallet: Q.ty	Pallet: Weight
	1				

Certificates	Manufacturer	Sectors
DM174-2004 CE	Pentair	Commercial, Industrial



## Autotrol Industrial Magnum IT 2" Valves for Filtration with Series Logix Controller



- For automatic and industrial water filtration systems;
- valve body in NSF listed Noryl plastic material with 304 Stainless Steel tank adapter (for heavy applications, like sea water, the Noryl tank adapter is available on request);
- o-rings in EPDM material;
- operating flow rate Kv = 18,2;
- backwash flow rate = 337 lpm @ Δp 1,72 bar;
- available with series LOGIX controller;
- 742 F electronic chronometric programmable;
- 762 F electronic volumetric programmable;
- with European transformer 12/230V - 50/60 Hz;
- available with or without by-pass;
- adapters, manifold kit and accessories (e.g. upper screen, etc.) not included, to order separately;
- PVC 2" side mounting adapter available on demand (REF. CC084).

Ref.	Description	Fam.	Subfam.	Disp. Stock	Price Euro
CB240E	MAGNUM IT 2" 293/742F (5 GPM) UWB SYMBOL 12/230V50HZ EURO PLUG	20	81	OK	1442,00
CB241E	MAGNUM IT 2" 293/742F (5 GPM) NUB SYMBOL 12/230V50HZ EURO PLUG	20	81	OK	1490,18
CB245E	MAGNUM IT 2" 293/762F (5 GPM) NUB SYMBOL 12/230V50HZ EURO PLUG	20	81	OK	1940,21

Characteristics :	
Pressure vessel connection	Threaded 4" - 8 UN male
Drain line connection	1,5" SS - NPT/BSPT male D50 CPVC to glue
Brine line connection	Threaded ¾" NPT male
Distributor tube O. D. diameter	1,5" (= 48,3 mm)
Pilot drain and auxiliary hydraulic out	¼" tube fitting Jaco
Distributor tube length above pressure vessel	16 ± 3 mm
Weight (valve + controller)	12,3 kg
Operating pressure	1,72 ÷ 6,90 bar
Water temperature	1°C ÷ 36°C

Box: WxLxH	Box: Q.ty	Box: Weight	Pallet: WxLxH	Pallet: Q.ty	Pallet: Weight
	1				

Certificates	Manufacturer	Sectors
DM174-2004 CE	Pentair	Commercial, Industrial



## Industrial Duplex Systems with Autotrol Softening Magnum IT 2" Valves and 764 Controller



- For automatic and industrial water softening systems;
- for twin alternating and twin parallel systems;
- consisting of n.2 valves (one "main" and another one "secondary") with 764 electronic volumetric;
- valve body in NSF listed Noryl plastic material with 304 Stainless Steel tank adapter (for heavy applications, like iron removal using KMnO4 or decarbonisation using HCl, the Noryl tank adapter is available on request);
- o-rings in EPDM material;
- operating flow rate for each tank  $K_v = 18,2$ ;
- backwash flow rate for each tank = 337 lpm @  $\Delta p$  1,72 bar;
- resin volume range for each tank = 100 ÷ 700 litres;
- with European transformer 12/230V - 50/60 Hz;
- available with or without by-pass;
- adapters, manifold kit and accessories (e.g. upper screen, etc.) not included, to order separately;
- brine tank refill system doesn't need a brine valve, but just an air-check;
- PVC 2" side mounting adapter available on demand (REF. CC084);
- interconnection not included.

Ref.	Description	Fam.	Subfam.	Disp. Stock	Price Euro
CB250E	MAGNUM 298 2" MIT-TWS-764-14" (5 GPM) NHB SYMBOL12/230V 50HZ EURO PLUG	20	81	OK	N.A.
CB251E	MAGNUM 298 2" MIT-TWS-764-16" (6 GPM) NHB SYMBOL12/230V 50HZ EURO PLUG	20	81	OK	3809,39
CB252E	MAGNUM 298 2" MIT-TWS-764-18" (8 GPM) NHB SYMBOL12/230V 50HZ EURO PLUG	20	81	OK	3857,80
CB253E	MAGNUM 298 2" MIT-TWS-764-21" (10 GPM) NHB SYMBOL12/230V 50HZ EURO PLUG	20	81	OK	3863,41
CB254E	MAGNUM 298 2" MIT-TWS-764-24" (14 GPM) NHB SYMBOL12/230V 50HZ EURO PLUG	20	81	OK	3857,80
CB255E	MAGNUM 298 2" MIT-TWS-764-30" (20 GPM) NHB SYMBOL12/230V 50HZ EURO PLUG	20	81	OK	3709,50
CB256E	MAGNUM 298 2" MIT-TWS-764-36" (30 GPM) NHB SYMBOL12/230V 50HZ EURO PLUG	20	81	OK	3857,80

Characteristics:	
Pressure vessel connection	Threaded 4" - 8 UN male
Drain line connection	1,5" SS - NPT/BSPT male D50 CPVC to glue
Brine line connection	Threaded 3/4" NPT male
Distributor tube O. D. diameter	1,5" (= 48,3 mm)
Pilot drain and auxiliary hydraulic out	1/4" tube fitting Jaco
Distributor tube length above pressure vessel	16 ± 3 mm
Weight (valve + controller)	12,3 kg
Operating pressure	1,72 ÷ 6,90 bar
Water temperature	1°C ÷ 36°C

Box: WxLxH	Box: Q.ty	Box: Weight	Pallet: WxLxH	Pallet: Q.ty	Pallet: Weight
41x60x50	1	34,0	120x80x210	8	28,5

Certificates	Manufacturer	Sectors
DM174-2004 CE	Pentair	Commercial, Industrial



## Autotrol Industrial Softening Magnum IT 2" Valves with 764 Controller for Multitank Systems



- For automatic and industrial water softening systems;
- with electronic volumetric 764 controller;
- for parallel systems;
- valve body in NSF listed Noryl plastic material with 304 Stainless Steel tank adapter (for heavy applications, like iron removal using KMnO4 or decarbonisation using HCl, the Noryl tank adapter is available on request);
- o-rings in EPDM material;
- operating flow rate for each tank  $K_v = 18,2$ ;
- backwash flow rate for each tank = 337 lpm @  $\Delta p$  1,72 bar;
- resin volume range for each tank = 100 ÷ 700 litres;
- with European transformer 12/230V - 50/60 Hz for each valve;
- available with or without by-pass;
- adapters, manifold kit and accessories (e.g. upper screen, etc.) not included, to order separately;
- brine tank refill system doesn't need a brine valve, but just an air-check;
- PVC 2" side mounting adapter available on demand;
- interconnection not included.

Ref	Description	Fam.	Subfam.	Disp. Stock	Price Euro
CB266E	MAGNUM 298 2" MIT-SN-764-36" (30 GPM) NHB SYMBOL12/230V 50HZ EURO PLUG	20	81	OK	2306,69

Characteristics:	
Pressure vessel connection	Threaded 4" - 8 UN male
Drain line connection	1,5" SS - NPT/BSPT male D50 CPVC to glue
Brine line connection	Threaded 3/4" NPT male
Distributor tube O. D. diameter	1,5" (= 48,3 mm)
Pilot drain and auxiliary hydraulic out	1/4" tube fitting Jaco
Distributor tube length above pressure vessel	16 ± 3 mm
Weight (valve + controller)	12,3 kg
Operating pressure	1,72 ÷ 6,90 bar
Water temperature	1°C ÷ 36°C

Box: WxLxH	Box: Q.ty	Box: Weight	Pallet: WxLxH	Pallet: Q.ty	Pallet: Weight
	1				

Certificates	Manufacturer	Sectors
DM174-2004 CE	Pentair	Commercial, Industrial



## Series 400 Controllers for Autotrol Valves Series 255 - 263 - 268

### Controllers for softeners characteristics

Characteristic		460tc	460i
Controller type		Electronic	Electronic
Regeneration mode		Chronometric	Volumetric
Regeneration frequency		Daily	Daily
Regeneration cycle length		59' or 118'	59' or 118'
Cycle length		Fixed not modifiable	Fixed not modifiable
Salt setting		Pounds of salt	Pounds of salt

### Controllers for filtration characteristics

Characteristic		460tc
Controller type		Electronic
Backwash mode		Chronometric
Backwash frequency		Daily
Filter cycle length		Fixed not modifiable

## Logix Controllers for Autotrol Valves Series 255 - 263 - 268 - 273 - 278 - 293 - 298

### Controllers for softeners characteristics

Characteristics	740 C	760 C	742 C	762 C	764
Controller type	Electronic	Electronic	Electronic	Electronic	Electronic
Regeneration mode	Chronometric	Volumetric	Chronometric	Volumetric	Volumetric
Regeneration frequency	Fixed day or 0,5 ÷ 99 days calendar override	0,5 ÷ 99 days calendar override	Fixed day or 0,5 ÷ 99 days calendar override	0,5 ÷ 99 days calendar override	0,5 ÷ 99 days calendar override
Adjustable regeneration time	Yes	Yes	Yes	Yes	Yes
Cycle length	Computer calculated	Computer calculated	Fully programmable	Fully programmable	Fully programmable
Salt setting	3 options	3 options	Fully adjustable	Fully adjustable	Fully adjustable

### Controllers for filtration characteristics

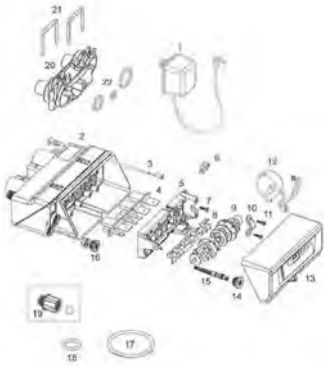
Characteristics	740 F	760 F	742 F	762 F	764 F
Controller type	Electronic	Electronic	Electronic	Electronic	Electronic
Backwash mode	Chronometric	Volumetric	Chronometric	Volumetric	Volumetric
Backwash frequency	Fixed day or 0,5 ÷ 99 days calendar override	0,5 ÷ 99 days calendar override	Fixed day or 0,5 ÷ 99 days calendar override	0,5 ÷ 99 days calendar override	0,5 ÷ 99 days calendar override
Adjustable cycle times	Programmable back wash time	Programmable back wash time	Fully programmable	Fully programmable	Fully programmable
Filter cycle length	Computer calculated	Computer calculated	Fully adjustable	Fully adjustable	Fully adjustable







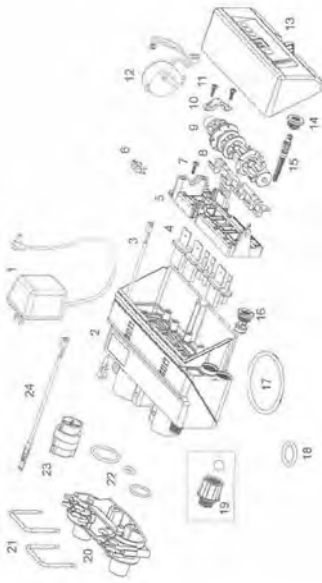
## 368/604 VALVE PARTS LIST



Number	Ref	P.N.	Description	Fam.	Subfam.	Disp. Stock	Price Euro
1	AW500	1000814	EUROPEAN TRANSFORMER 230/12V	10	64	OK	49,45
1	AW501	1000813	BRITISH TRANSFORMER	10	64	OK	53,87
4	AW250	3007947	VALVE DISCS KIT FOR 366 367 368	10	64	OK	63,07
6	AW129	1235373	OPTIC SENSOR P/N 1235373	10	64	OK	22,00
7	AW174	3030450	TOP PLATE SCREW NO 8x9/16"	10	64	OK	0,94
8	AW252	3022017	SPRING ONE PIECE 366 367 368	10	64	OK	13,79
9	AW253	3022014	CAMSHAFT FOR 366 367 368	10	64	OK	27,59
10	CD100	1000589	PILLOW BLOCK CAP	20	83	OK	4,52
11	AW174	3030450	TOP PLATE SCREW NO 8x9/16"	10	64	OK	0,94
12	AW254	3026537	MOTOR CABLE ASSEMBLY 366 367 368	10	64	OK	94,20
13	AW280	4001737	TIMER 604 12V 50-60HZ	10	64	OK	115,81
14	AW107	1000269	INJECTOR CAP/BACKWASH OPEN 00	10	64	OK	5,25
15	AW267	3025327	SCREEN ASSEMBLY INJECTOR F PEACH WITH O-RING + FILTER 366 367 368	10	64	OK	15,18
15	AW268	3025328	SCREEN ASSEMBLY INJECTOR G TAN WITH O-RING + FILTER 366 367 368	10	64	OK	15,18
15	AW269	3025329	SCREEN ASSEMBLY INJECTOR H LIGHT PURPLE WITH O-RING + FILTER 366 367 368	10	64	OK	15,18
16	AW115	1000221	BRINE REFILL CONTROL ASSEMBLY .14GPM	10	64	NO	23,28
17	AW172	1010154	O-RING ADAPTER FOR PRESSURE VESSEL 2.1/2"	10	64	OK	7,00
18	AW169	1232370	O-RING 1.05"	10	64	OK	1,67
19	AV146	3031526	EXTERNAL BACKWASH CONTROL PEANUT 0.9 GPM # 06	10	62	OK	15,69
19	AV147	3031527	EXTERNAL BACKWASH CONTROL PEANUT 1.20 GPM # 07	10	62	OK	15,69
19	AV148	3031528	EXTERNAL BACKWASH CONTROL PEANUT 1.60 GPM # 08	10	62	OK	15,69
19	AV149	3031529	EXTERNAL BACKWASH CONTROL PEANUT 2.00 GPM # 09	10	62	OK	15,69
20	AW255	4000970	MANIFOLD 3/4" BSPT INLET/OUTLET	10	64	OK	55,58
22	AW257	3031825	O-RING KIT MANIFOLD 367	10	64	OK	5,98
Not shown	AV185	3022042	MIXING VALVE FOR 366-368 VALVE	10	62	OK	15,58



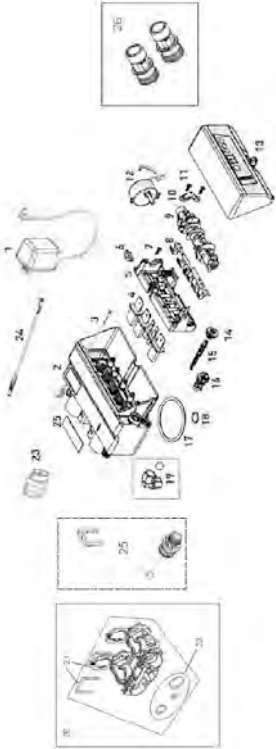
## 368/606 VALVE PARTS LIST



Number	Ref	P.N.	Description	Fam.	Subfam.	Disp. Stock	Price Euro
1	AW500	1000814	EUROPEAN TRANSFORMER 230/12V	10	64	OK	49,45
1	AW501	1000813	BRITISH TRANSFORMER	10	64	OK	53,87
4	AW250	3007947	VALVE DISCS KIT FOR 366 367 368	10	64	OK	63,07
6	AW129	1235373	OPTIC SENSOR P/N 1235373	10	64	OK	22,00
7	AW174	3030450	TOP PLATE SCREW NO 8x9/16"	10	64	OK	0,94
8	AW252	3022017	SPRING ONE PIECE 366 367 368	10	64	OK	13,79
9	AW253	3022014	CAMSHAFT FOR 366 367 368	10	64	OK	27,59
10	CD100	1000589	PILLOW BLOCK CAP	20	83	OK	4,52
11	AW174	3030450	TOP PLATE SCREW NO 8x9/16"	10	64	OK	0,94
12	AW254	3026537	MOTOR CABLE ASSEMBLY 366 367 368	10	64	OK	94,20
13	AW281	4001738	TIMER 606 12V 50-60HZ	10	64	OK	115,81
14	AW107	1000269	INJECTOR CAP/BACKWASH OPEN 00	10	64	OK	5,25
15	AW267	3025327	SCREEN ASSEMBLY INJECTOR F PEACH WITH O-RING + FILTER 366 367 368	10	64	OK	15,18
15	AW268	3025328	SCREEN ASSEMBLY INJECTOR G TAN WITH O-RING + FILTER 366 367 368	10	64	OK	15,18
15	AW269	3025329	SCREEN ASSEMBLY INJECTOR H LIGHT PURPLE WITH O-RING + FILTER 366 367 368	10	64	OK	15,18
16	AW115	1000221	BRINE REFILL CONTROL ASSEMBLY .14GPM	10	64	NO	23,28
17	AW172	1010154	O-RING ADAPTER FOR PRESSURE VESSEL 2.1/2"	10	64	OK	7,00
18	AW169	1232370	O-RING 1.05"	10	64	OK	1,67
19	AV146	3031526	EXTERNAL BACKWASH CONTROL PEANUT 0.9 GPM # 06	10	62	OK	15,69
19	AV147	3031527	EXTERNAL BACKWASH CONTROL PEANUT 1.20 GPM # 07	10	62	OK	15,69
19	AV148	3031528	EXTERNAL BACKWASH CONTROL PEANUT 1.60 GPM # 08	10	62	OK	15,69
19	AV149	3031529	EXTERNAL BACKWASH CONTROL PEANUT 2.00 GPM # 09	10	62	OK	15,69
20	AW255	4000970	MANIFOLD 3/4" BSPT INLET/OUTLET	10	64	OK	55,58
21	AW256	3027831	CLIP ATTACCO VALV. 367	10	64	NO	19,69
22	AW257	3031825	O-RING KIT MANIFOLD 367	10	64	OK	5,98
24	AW259	3027837	TURBINE CABLE 367	10	64	OK	24,89
Not shown	AV185	3022042	MIXING VALVE FOR 366-368 VALVE	10	62	OK	15,58



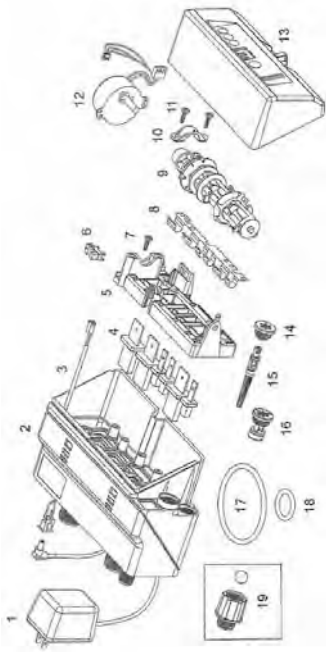
## 368/606B VALVE EXPLODED VIEW



Number	Ref	P.N.	Description	Fam.	Subfam.	Disp. Stock	Price Euro
1	AW500	1000814	EUROPEAN TRANSFORMER 230/12V	10	64	OK	49,45
1	AW501	1000813	BRITISH TRANSFORMER	10	64	OK	53,87
4	AW250	3007947	VALVE DISCS KIT FOR 366 367 368	10	64	OK	63,07
6	AW129	1235373	OPTIC SENSOR P/N 1235373	10	64	OK	22,00
7	AW174	3030450	TOP PLATE SCREW NO 8x9/16"	10	64	OK	0,94
8	AW252	3022017	SPRING ONE PIECE 366 367 368	10	64	OK	13,79
9	AW253	3022014	CAMSHAFT FOR 366 367 368	10	64	OK	27,59
10	CD100	1000589	PILLOW BLOCK CAP	20	83	OK	4,52
11	AW174	3030450	TOP PLATE SCREW NO 8x9/16"	10	64	OK	0,94
12	AW254	3026537	MOTOR CABLE ASSEMBLY 366 367 368	10	64	OK	94,20
13	AW281	4001738	TIMER 606 12V 50-60HZ	10	64	OK	115,81
14	AW107	1000269	INJECTOR CAP/BACKWASH OPEN 00	10	64	OK	5,25
15	AW267	3025327	SCREEN ASSEMBLY INJECTOR F PEACH WITH O-RING + FILTER 366 367 368	10	64	OK	15,18
15	AW268	3025328	SCREEN ASSEMBLY INJECTOR G TAN WITH O-RING + FILTER 366 367 368	10	64	OK	15,18
15	AW269	3025329	SCREEN ASSEMBLY INJECTOR H LIGHT PURPLE WITH O-RING + FILTER 366 367 368	10	64	OK	15,18
16	AW115	1000221	BRINE REFILL CONTROL ASSEMBLY .14GPM	10	64	NO	23,28
17	AW172	1010154	O-RING ADAPTER FOR PRESSURE VESSEL 2.1/2"	10	64	OK	7,00
18	AW169	1232370	O-RING 1.05"	10	64	OK	1,67
19	AV174		ELBOW DRAIN FITTING 1/2" F	10	62	OK	3,69
20	AW290	4000886	BYPASS VALVE 368/606	10	64	OK	170,16
22	AW257	3031825	O-RING KIT MANIFOLD 367	10	64	OK	5,98
24	AW259	3027837	TURBINE CABLE 367	10	64	OK	24,89
25	AV146B	4001297	EXTERNAL BACKWASH CONTROL 368 BYPASS 0.90 GPM # 0	10	62	OK	23,32
25	AV147B	4001298	EXTERNAL BACKWASH CONTROL 368 BYPASS 1.20 GPM # 0	10	62	OK	21,17
25	AV148B	4001299	EXTERNAL BACKWASH CONTROL 368 BYPASS 1.60 GPM # 0	10	62	OK	23,32
25	AV149B	4001300	EXTERNAL BACKWASH CONTROL 368 BYPASS 2.0 GPM # 09	10	62	OK	21,17
26	AW275	4001606	KIT 3/4" BSP CONNECTORS	10	64	OK	41,39
Not shown	AV185	3022042	MIXING VALVE FOR 366-368 VALVE	10	62	OK	15,58



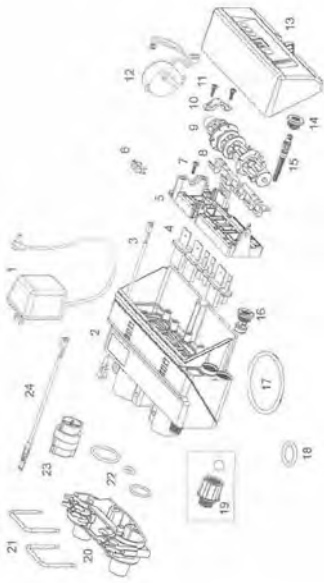
## 366/604 VALVE PARTS LIST



Number	Ref	P.N.	Description	Fam.	Subfam.	Disp. Stock	Price Euro
1	AW500	1000814	EUROPEAN TRANSFORMER 230/12V	10	64	OK	49,45
1	AW501	1000813	BRITISH TRANSFORMER	10	64	OK	53,87
4	AW250	3007947	VALVE DISCS KIT FOR 366 367 368	10	64	OK	63,07
6	AW129	1235373	OPTIC SENSOR P/N 1235373	10	64	OK	22,00
7	AW174	3030450	TOP PLATE SCREW NO 8x9/16"	10	64	OK	0,94
8	AW252	3022017	SPRING ONE PIECE 366 367 368	10	64	OK	13,79
9	AW253	3022014	CAMSHAFT FOR 366 367 368	10	64	OK	27,59
10	CD100	1000589	PILLOW BLOCK CAP	20	83	OK	4,52
11	AW174	3030450	TOP PLATE SCREW NO 8x9/16"	10	64	OK	0,94
12	AW254	3026537	MOTOR CABLE ASSEMBLY 366 367 368	10	64	OK	94,20
13	AW280	4001737	TIMER 604 12V 50-60HZ	10	64	OK	115,81
14	AW107	1000269	INJECTOR CAP/BACKWASH OPEN 00	10	64	OK	5,25
15	AW267	3025327	SCREEN ASSEMBLY INJECTOR F PEACH WITH O-RING + FILTER 366 367 368	10	64	OK	15,18
15	AW268	3025328	SCREEN ASSEMBLY INJECTOR G TAN WITH O-RING + FILTER 366 367 368	10	64	OK	15,18
15	AW269	3025329	SCREEN ASSEMBLY INJECTOR H LIGHT PURPLE WITH O-RING + FILTER 366 367 368	10	64	OK	15,18
16	AW115	1000221	BRINE REFILL CONTROL ASSEMBLY .14GPM	10	64	NO	23,28
17	AW172	1010154	O-RING ADAPTER FOR PRESSURE VESSEL 2.1/2"	10	64	OK	7,00
18	AW169	1232370	O-RING 1.05"	10	64	OK	1,67
19	AV146	3031526	EXTERNAL BACKWASH CONTROL PEANUT 0.9 GPM # 06	10	62	OK	15,69
19	AV147	3031527	EXTERNAL BACKWASH CONTROL PEANUT 1.20 GPM # 07	10	62	OK	15,69
19	AV148	3031528	EXTERNAL BACKWASH CONTROL PEANUT 1.60 GPM # 08	10	62	OK	15,69
19	AV149	3031529	EXTERNAL BACKWASH CONTROL PEANUT 2.00 GPM # 09	10	62	OK	15,69
Not shown	AV185	3022042	MIXING VALVE FOR 366-368 VALVE	10	62	OK	15,58



## 367/606 VALVE PARTS LIST



Number	Ref	P.N.	Description	Fam.	Subfam.	Disp. Stock	Price Euro
1	AW500	1000814	EUROPEAN TRANSFORMER 230/12V	10	64	OK	49,45
1	AW501	1000813	BRITISH TRANSFORMER	10	64	OK	53,87
4	AW250	3007947	VALVE DISCS KIT FOR 366 367 368	10	64	OK	63,07
6	AW129	1235373	OPTIC SENSOR P/N 1235373	10	64	OK	22,00
7	AW174	3030450	TOP PLATE SCREW NO 8x9/16"	10	64	OK	0,94
8	AW252	3022017	SPRING ONE PIECE 366 367 368	10	64	OK	13,79
9	AW253	3022014	CAMSHAFT FOR 366 367 368	10	64	OK	27,59
10	CD100	1000589	PILLOW BLOCK CAP	20	83	OK	4,52
11	AW174	3030450	TOP PLATE SCREW NO 8x9/16"	10	64	OK	0,94
12	AW254	3026537	MOTOR CABLE ASSEMBLY 366 367 368	10	64	OK	94,20
13	AW281	4001738	TIMER 606 12V 50-60HZ	10	64	OK	115,81
14	AW107	1000269	INJECTOR CAP/BACKWASH OPEN 00	10	64	OK	5,25
15	AW267	3025327	SCREEN ASSEMBLY INJECTOR F PEACH WITH O-RING + FILTER 366 367 368	10	64	OK	15,18
15	AW268	3025328	SCREEN ASSEMBLY INJECTOR G TAN WITH O-RING + FILTER 366 367 368	10	64	OK	15,18
15	AW269	3025329	SCREEN ASSEMBLY INJECTOR H LIGHT PURPLE WITH O-RING + FILTER 366 367 368	10	64	OK	15,18
16	AW115	1000221	BRINE REFILL CONTROL ASSEMBLY .14GPM	10	64	NO	23,28
17	AW172	1010154	O-RING ADAPTER FOR PRESSURE VESSEL 2.1/2"	10	64	OK	7,00
18	AW169	1232370	O-RING 1.05"	10	64	OK	1,67
19	AV146	3031526	EXTERNAL BACKWASH CONTROL PEANUT 0.9 GPM # 06	10	62	OK	15,69
19	AV147	3031527	EXTERNAL BACKWASH CONTROL PEANUT 1.20 GPM # 07	10	62	OK	15,69
19	AV148	3031528	EXTERNAL BACKWASH CONTROL PEANUT 1.60 GPM # 08	10	62	OK	15,69
19	AV149	3031529	EXTERNAL BACKWASH CONTROL PEANUT 2.00 GPM # 09	10	62	OK	15,69
20	AW255	4000970	MANIFOLD 3/4" BSPT INLET/OUTLET	10	64	OK	55,58
21	AW256	3027831	CLIP ATTACCO VALV. 367	10	64	NO	19,69
22	AW257	3031825	O-RING KIT MANIFOLD 367	10	64	OK	5,98
24	AW259	3027837	TURBINE CABLE 367	10	64	OK	24,89
Not shown	AV185	3022042	MIXING VALVE FOR 366-368 VALVE	10	62	OK	15,58



## 255-440i/460i/460TC VALVE EXPLODED VIEW & PARTS LIST



Number	Ref.	P.N.	Description	Fam.	Subfam.	Disp. Stock	Price Euro
5	AW125	1000226	SCREEN/CAP ASSEMBLY WITH O-RING	10	64	OK	5,47
6	AW100	1000209	BACKWASH CONTROL 07 WITH O-RING	10	64	OK	15,25
6	AW101	1000210	BACKWASH CONTROL 08 WITH O-RING	10	64	OK	15,98
6	AW102	1000211	BACKWASH CONTROL 09 WITH O-RING	10	64	OK	15,25
6	AW103	1000212	BACKWASH CONTROL 10 WITH O-RING	10	64	OK	15,25
6	AW104	1000213	BACKWASH CONTROL 12 WITH O-RING	10	64	OK	15,69
6	AW105	1000214	BACKWASH CONTROL 13 WITH O-RING	10	64	OK	15,25
6	AW106	1000215	BACKWASH CONTROL 14 WITH O-RING	10	64	OK	17,41
7	AW139	1030502	FLOW CONTROL BALL	10	64	OK	1,35
8	AW110	1034261	BRINE REFILL CONTROL 10 Lbs	10	64	NO	36,35
8	AW111	1034263	BRINE REFILL CONTROL 19 Lbs	10	64	NO	32,70
9	AW131	1032971	INJECTOR B BLUE WITH O-RING	10	64	OK	10,29
9	AW132	1032972	INJECTOR C RED WITH O-RING	10	64	OK	9,44
10	AW107	1000269	INJECTOR CAP/BACKWASH OPEN 00	10	64	OK	5,25

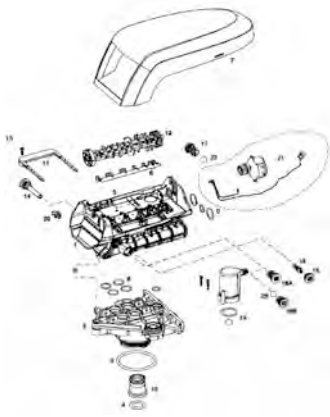


## 255-440i/460i/460TC VALVE EXPLODED VIEW & PARTS LIST

Number	Ref.	P.N.	Description	Fam.	Subfam.	Disp. Stock	Price Euro
11	AW170	1033784	ADAPTER PRESSURE VESSEL 2.1/2" FOR TUBE 1.05"	10	64	OK	157,02
12	AW190	1032417	KIT AIR-CHECK 1/4" MALE	10	64	OK	23,79
14	AW169	1232370	O-RING 1.05"	10	64	OK	1,67
15	AW173	1031402	LOCKING BAR	10	64	OK	12,04
16	AW174	3030450	TOP PLATE SCREW NO 8x9/16"	10	64	OK	0,94
17	AW163	1235341	SPRING ONE PIECE 255 VALVE P/N 1235341	10	64	OK	17,22
Not shown	AW181	1001580	VALVE DISC SPRING	10	64	OK	1,31
Not shown	AW191	1033066	NEW TO OLD AIR CHECK ADAPTER	10	64	OK	N.A.
20	AW195	1001404	O-RING SET FOR 255 VALVE TOP/BOTTOM COUPLING	10	64	OK	9,78
21	AW196	1040459	O-RING SET*	10	64	OK	0,40
Not shown	AW197		O-RING SET W/SCREWS AND NUTS*	10	64	OK	2,55
23	AW160A	3019871	NEW STYLE SERIES 400 TOP PLATE FOR VALVE 255	10	64	OK	37,55
24	AW180	1000250	VALVE DISCS KIT FOR 255	10	64	OK	42,52
25	AW140	1030528	AIR-CHECK BALL	10	64	OK	1,35
Not shown	AV037	1239760	BLENDING KIT SCREW FOR 700 SERIES AND 255/400 NEWSTYLE	10	62	OK	14,41
Not shown	AV069	1239754	TOP PLATE SWITCH KIT 255-263-268 5A	10	62	OK	73,80



## VALVE LOGIX 255 PARTS LIST



Number	Ref	P.N.	Description	Fam.	Subfam.	Disp. Stock	Price Euro
1+5+6	AW168	1244650	255/700 VALVE ASSEMBLY W/O FLOW CONTROLS	10	64	OK	249,29
2	AW170	1033784	ADAPTER PRESSURE VESSEL 2.1/2" FOR TUBE 1.05"	10	64	OK	157,02
3	AW172	1010154	O-RING ADAPTER FOR PRESSURE VESSEL 2.1/2"	10	64	OK	7,00
4	AW169	1232370	O-RING 1.05"	10	64	OK	1,67
5	AW162	1235340	TOP PLATE 253/255 LOGIX P/N 1235341	10	64	OK	68,51
6	AW163	1235341	SPRING ONE PIECE 255 VALVE P/N 1235341	10	64	OK	17,22
7	AW148	1236246	253-5/263-8 LOGIX STANDARD COVER P/N 1236246	10	64	OK	30,51
Not shown	AW145	1242234	255 LOGIX SLIM COVER	10	64	NO	29,20
8	AW195	1001404	O-RING SET FOR 255 VALVE TOP/BOTTOM COUPLING	10	64	OK	9,78
9	AW196	1040459	O-RING SET*	10	64	OK	0,40
Not shown	AW180	1000250	VALVE DISCS KIT FOR 255	10	64	OK	42,52
Not shown	AV037	1239760	BLENDING KIT SCREW FOR 700 SERIES AND 255/400 NEWSTYLE	10	62	OK	14,41
11	AW173	1031402	LOCKING BAR	10	64	OK	12,04
12	AW149	1235353	CAMSHAFT 253/255 LOGIX P/N 1235353	10	64	OK	30,40
13	AW174	3030450	TOP PLATE SCREW NO 8x9/16"	10	64	OK	0,94
14	AW125	1000226	SCREEN/CAP ASSEMBLY WITH O-RING	10	64	OK	5,47
15	AW133	1035730	INJECTOR E YELLOW WITH O-RING	10	64	OK	10,91
15	AW134	1035731	INJECTOR F PEACH WITH O-RING	10	64	OK	11,02
15	AW135	1035732	INJECTOR G TAN WITH O-RING	10	64	OK	10,91
15	AW136	1035733	INJECTOR H LIGHT PURPLE WITH O-RING	10	64	OK	10,51
15	AW137	1035734	INJECTOR J LIGHT BLUE WITH O-RING	10	64	OK	10,51
15	AW138	1035735	INJECTOR K PINK WITH O-RING	10	64	OK	10,51
15	AW348	1035736	INJECTOR L ORANGE WITH O-RING P/N 1035736	10	64	OK	11,02
15	AW349	1035737	INJECTOR M BROWN WITH O-RING P/N 1035737	10	64	OK	10,58
15	AW350	1035738	INJECTOR N GREEN WITH O-RING P/N 1035738	10	64	OK	10,58
15	AW351	1035739	INJECTOR Q PURPLE WITH O-RING P/N 1035739	10	64	OK	10,58
15	AW352	1035884	INJECTOR R GREY WITH O-RING P/N 1035884	10	64	OK	10,58



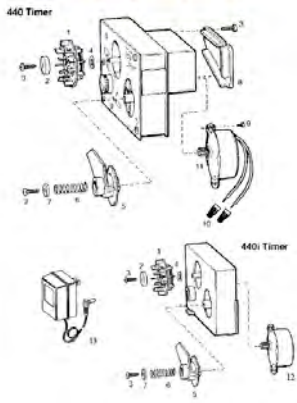
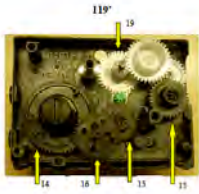


## VALVE LOGIX 255 EXPLODED VIEW AND PARTS LIST

Number	Ref	P.N.	Description	Fam.	Subfam.	Disp. Stock	Price Euro
16	AW107	1000269	INJECTOR CAP/BACKWASH OPEN 00	10	64	OK	5,25
17	AW100	1000209	BACKWASH CONTROL 07 WITH O-RING	10	64	OK	15,25
17	AW101	1000210	BACKWASH CONTROL 08 WITH O-RING	10	64	OK	15,98
17	AW102	1000211	BACKWASH CONTROL 09 WITH O-RING	10	64	OK	15,25
17	AW103	1000212	BACKWASH CONTROL 10 WITH O-RING	10	64	OK	15,25
17	AW104	1000213	BACKWASH CONTROL 12 WITH O-RING	10	64	OK	15,69
17	AW105	1000214	BACKWASH CONTROL 13 WITH O-RING	10	64	OK	15,25
17	AW106	1000215	BACKWASH CONTROL 14 WITH O-RING	10	64	OK	17,41
18A	AW118	1243510	BRINE REFILL CONTROL .33 GPM	10	64	OK	15,69
19	AW190	1032417	KIT AIR-CHECK 1/4" MALE	10	64	OK	23,79
20	AW129	1235373	OPTIC SENSOR P/N 1235373	10	64	OK	22,00
21	AW126	1238861	MOTOR W/SPACER AND PINION AND CABLE SERIES 700 P/N 1238861	10	64	OK	97,09
22	AW139	1030502	FLOW CONTROL BALL	10	64	OK	1,35
Not shown	AW191	1033066	NEW TO OLD AIR CHECK ADAPTER	10	64	OK	N.A.
Not shown	AW140	1030528	AIR-CHECK BALL	10	64	OK	1,35
Not shown	AW128	1035446	TURBINE CABLE 255-268-278/700	10	64	OK	33,58
Not shown	AW124	1233187	MOTOR LOCKING PIN	10	64	OK	2,04
Not shown	AV057	1239711	FRONT MOUNT SWITCH KIT 255-263-268 0,1A	10	62	OK	80,37
Not shown	AV058	1239752	FRONT MOUNT SWITCH KIT 255-263-268 5A	10	62	OK	77,48
Not shown	AV069	1239754	TOP PLATE SWITCH KIT 255-263-268 5A	10	62	OK	73,80
Not shown	AV036A	1256257	KIT REMOTE LOGIX CONTROL W/TERMINAL BLOCKS P/N 1256257	10	62	NO	72,56
Not shown	AV023	1242411	EXTENSION CORD Lg=50cm FOR CAB. P/N 1242411	10	62	OK	31,71
Not shown	AV023A	1239979	4 PIN CONNECTOR CABLE START 700 SERIES	10	62	OK	40,00
Not shown	AW500	1000814	EUROPEAN TRANSFORMER 230/12V	10	64	OK	49,45
Not shown	AW501	1000813	BRITISH TRANSFORMER	10	64	OK	53,87



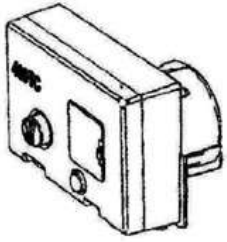
## SERIES 400 TIMER EXPLODED VIEW (440i-460i-460TC)



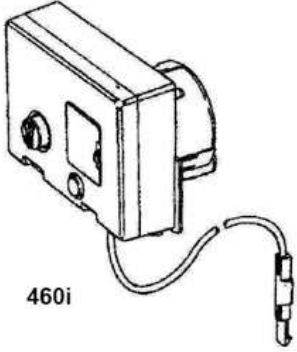
Number	Ref.	P.N.	Description	Fam.	Subfam.	Disp. Stock	Price Euro
11	AW421	3003134	MOTORE 24V.50 HZ PER 440-450	10	64	OK	62,89
12	AW423	1001568	12V-50HZ MOTOR FOR 440i	10	64	OK	77,41
12	AW424	1000098	9V-50HZ MOTOR FOR 460i-460tc	10	64	NO	72,48
13	AW500	1000814	EUROPEAN TRANSFORMER 230/12V	10	64	OK	49,45
13	AW501	1000813	BRITISH TRANSFORMER	10	64	OK	53,87
Not shown	AW453	1005120	CABLE PRESS W/CABLE (440)	10	64	OK	1,14
17	AW456	1030842	WHITE GEAR 59´ A (INF.# 13)	10	64	NO	1,78
18	AW457	1030843	WHITE GEAR 59´ B	10	64	NO	5,54
19	AW449	1030841	WHITE GEAR FOR TIMER 440I P/N 1030841	10	64	NO	6,20



## SERIES 400 TIMER LIST



460tc

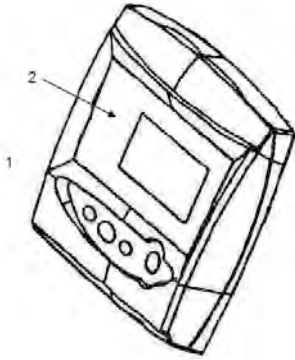


460i

Number	Ref	P.N.	Description	Fam.	Subfam.	Disp. Stock	Price Euro
2	AW483	4000611	TIMER 460tc 59´ 12V.50HZ SYM	10	64	OK	173,95
2	AW480	1030007	TIMER 460i 118´ 12V.50HZ SYM	10	64	OK	357,77
2	AW481	1051811	TIMER 460i 59´ 12V.50HZ SYM	10	64	OK	357,77



## SERIES 700 TIMER LIST



Number	Ref	P.N.	Description	Fam.	Subfam.	Disp. Stock	Price Euro
1	AW511E		TIMER 740C W/CHECK SALT 12V 50/60HZ SYMBOL*	10	64	OK	243,20
1	AW514E		TIMER 760C W/CHECK SALT 12V 50/60HZ SYMBOL*	10	64	OK	298,44
1	AW517E		TIMER 740F W/CHECK SALT 12V 50/60HZ SYMBOL*	10	64	OK	243,20
1	AW524E		TIMER 760F W/CHECK SALT 12V 50/60HZ SYMBOL*	10	64	OK	298,44
1	AW512E		TIMER 742C W/CHECK SALT 12V 50/60HZ SYMBOL*	10	64	OK	286,40
1	AW515E		TIMER 762C W/CHECK SALT 12V 50/60HZ SYMBOL*	10	64	OK	406,36
1	AW518E		TIMER 742F W/CHECK SALT 12V 50/60HZ SYMBOL*	10	64	OK	278,87
1	AW525E		TIMER 762F W/CHECK SALT 12V 50/60HZ SYMBOL*	10	64	OK	354,79
1	AW505E		TIMER 764C W/CHECK SALT 12V 50/60HZ SYMBOL*	10	64	OK	402,65
Not shown	AW504	1254886	SLAVE CONTROLLER P/N 1254886	10	64	OK	48,25

## 869 TIMER

Number	Ref	P.N.	Description	Fam.	Subfam.	Disp. Stock	Price Euro
1	AW381		869 LOGIX CONTROLLER - P/N 4003901	10	64	OK	N.A.

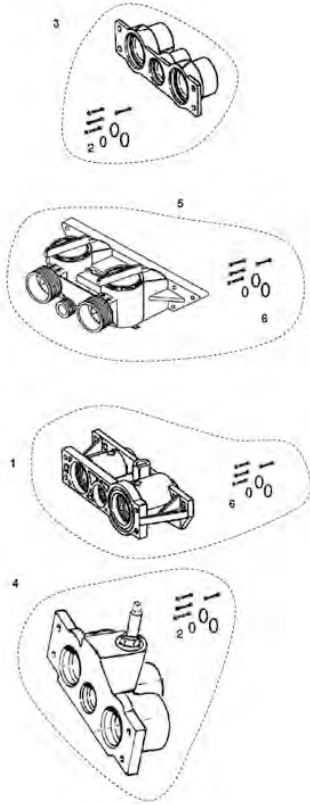
## EASY IQ TIMER



Number	Ref.	P.N.	Description	Fam.	Subfam.	Disp. Stock	Price Euro
1	AW380		EASY IQ CONTROLLER	10	64	OK	301,08
2	AW379B		EASY IQ BLUE COVER	10	64	OK	33,83
2	AW379		EASY IQ GREEN COVER	10	64	OK	33,83



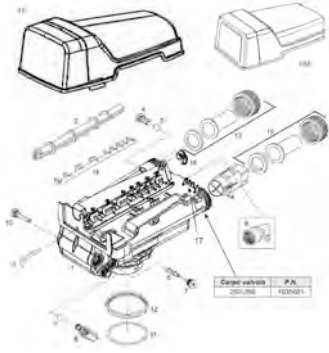
## METER, MANIFOLD, 256 BYPASS SPARE PARTS



Number	Ref	P.N.	Description	Fam.	Subfam.	Disp. Stock	Price Euro
1	AW201	1032350	METER ADAPTER KIT	10	64	OK	72,63
2	AW197		O-RING SET W/SCREWS AND NUTS*	10	64	OK	2,55
3	AV015		MANIFOLD BRASS FEMALE 3/4" GAS	10	62	OK	36,86
3	AV016		MANIFOLD BRASS FEMALE 1" GAS	10	62	OK	39,19
3	AV010		MANIFOLD KIT BRASS FEMALE 3/4" GAS*	10	62	OK	38,92
3	AV011		MANIFOLD KIT BRASS FEMALE 1" GAS*	10	62	OK	41,77
Not shown	AV013	1040283	MANIFOLD KIT NORYL FEMALE 3/4" BSPT	10	62	OK	20,80
4	AV006		MANIFOLD BRASS 3/4" GAS MIXER	10	62	OK	54,87
4	AV017		MANIFOLD BRASS FEMALE 1" GAS MIXER	10	62	OK	52,65
Not shown	AV007		MANIFOLD KIT 3/4" GAS BRASS MIXER*	10	62	OK	57,41
Not shown	AV012		MANIFOLD KIT BRASS FEMALE 1" GAS MIXER*	10	62	OK	54,33
Not shown	AV001		MANIFOLD 3/4" MALE WITH TURBINE P/N 1234260	10	62	OK	88,51
Not shown	AV001A		MANIFOLD 255 3/4" BSP MALE NORYL + KIT P/N 123425	10	62	OK	29,41
Not shown	AV022		MANIFOLD 1" MALE WITH TURBINE + KIT P/N 1234259	10	62	OK	88,51
Not shown	AV022A		MANIFOLD 255 1" BSP MALE NORYL + KIT P/N 1234255	10	62	OK	29,41
5	AV026	1040769	BY-PASS 256 W/O-RING, SCREWS,NUTS	10	62	OK	62,88
6	AW197N	1040524	O-RING DET W/SCREWS & NUTS FOR NORYL MANIFOLD P/N1040524	10	64	OK	28,25



## 263-268-268F A/400 VALVE EXPLODED VIEW



Number	Ref	P.N.	Description	Fam.	Subfam.	Disp. Stock	Price Euro
4	AW100	1000209	BACKWASH CONTROL 07 WITH O-RING	10	64	OK	15,25
4	AW101	1000210	BACKWASH CONTROL 08 WITH O-RING	10	64	OK	15,98
4	AW102	1000211	BACKWASH CONTROL 09 WITH O-RING	10	64	OK	15,25
4	AW103	1000212	BACKWASH CONTROL 10 WITH O-RING	10	64	OK	15,25
4	AW104	1000213	BACKWASH CONTROL 12 WITH O-RING	10	64	OK	15,69
4	AW105	1000214	BACKWASH CONTROL 13 WITH O-RING	10	64	OK	15,25
4	AW106	1000215	BACKWASH CONTROL 14 WITH O-RING	10	64	OK	17,41
5	AW139	1030502	FLOW CONTROL BALL	10	64	OK	1,35
6	AW131	1032971	INJECTOR B BLUE WITH O-RING	10	64	OK	10,29
6	AW132	1032972	INJECTOR C RED WITH O-RING	10	64	OK	9,44
7	AW107	1000269	INJECTOR CAP/BACKWASH OPEN 00	10	64	OK	5,25
8	AW110	1034261	BRINE REFILL CONTROL 10 Lbs	10	64	NO	36,35
8	AW111	1034263	BRINE REFILL CONTROL 19 Lbs	10	64	NO	32,70
8	AW308	1030334	PLUGGED REFILL CONTROL 263	10	64	OK	9,85
9	AV175	1002449	ELBOW DRIAN FITTING 3/4" F	10	62	OK	6,64

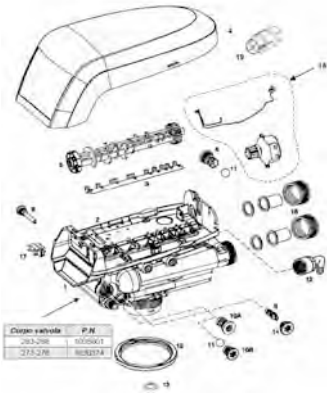


## 263-268-268F A/400 VALVE EXPLODED VIEW

Number	Ref	P.N.	Description	Fam.	Subfam.	Disp. Stock	Price Euro
10	AW125	1000226	SCREEN/CAP ASSEMBLY WITH O-RING	10	64	OK	5,47
11	AW172	1010154	O-RING ADAPTER FOR PRESSURE VESSEL 2.1/2"	10	64	OK	7,00
12	AW319	1035622	TANK RING 2,5" FOR 263-268-278 P/N 1035622	10	64	OK	11,27
13	AV030B		MANIFOLD KIT BRASS MALE 3/4" GAS*	10	62	OK	19,72
13	AV031B		MANIFOLD KIT BRASS MALE " GAS*	10	62	OK	19,80
13	AV032	1001615	MANIFOLD KIT PVC D,32	10	62	OK	34,56
13	AV038		MANIFOLD KIT BRASS MALE 1 1/4" GAS*	10	62	OK	62,88
14	AW328	1033444	TURBINE ASSEMBLY	10	64	OK	27,99
15	AW360	1235339	VALVE DISC SPRING ONE PIECE 263/268 LOGIX P/N 1235339	10	64	OK	16,93
Not shown	AW181	1001580	VALVE DISC SPRING	10	64	OK	1,31
Not shown	AW329	1041174	VALVE DISCS KIT FOR 263-268-273-278	10	64	OK	65,95
Not shown	AW309	1035778	CAMSHAFT CLIP	10	64	NO	1,93
Not shown	AV037	1239760	BLENDING KIT SCREW FOR 700 SERIES AND 255/400 NEWSTYLE	10	62	OK	14,41
Not shown	AV039		BY-PASS 1265 KIT BRASS 1" GAS*	10	62	OK	111,46
Not shown	AV040		BY-PASS KIT 1265 BRASS 1 1/4" GAS*	10	62	OK	155,56
Not shown	AW174	3030450	TOP PLATE SCREW NO 8x9/16"	10	64	OK	0,94



## LOGIX 263-268-269-278 VALVE EXPLODED VIEW



Number	Ref	P.N.	Description	Fam.	Subfam.	Disp. Stock	Price Euro
1+2+3+13	AW362	1255104	263-268/700 VALVE ASSEMBLY W/O FLOW CONTROLS	10	64	OK	307,98
1+2+3+13	AW363	1255105	278 VALVE ASSMBLY W/O FLOW CONTROLS	10	64	OK	349,34
3	AW360	1235339	VALVE DISC SPRING ONE PIECE 263/268 LOGIX P/N 1235339	10	64	OK	16,93
4	AW148	1236246	253-5/263-8 LOGIX STANDARD COVER P/N 1236246	10	64	OK	30,51
5	AW358	1235352	CAMSHAFT 263/268 LOGIX P/N 1235352	10	64	OK	34,20
5	AW361	1237405	CAMSHAFT 278 LOGIX P/N 1237405	10	64	OK	32,99
5	AW383	1237402	CAMSHAFT 269 LOGIX - P/N 1237402	10	64	OK	31,10
6	AW100	1000209	BACKWASH CONTROL 07 WITH O-RING	10	64	OK	15,25
6	AW101	1000210	BACKWASH CONTROL 08 WITH O-RING	10	64	OK	15,98
6	AW102	1000211	BACKWASH CONTROL 09 WITH O-RING	10	64	OK	15,25
6	AW103	1000212	BACKWASH CONTROL 10 WITH O-RING	10	64	OK	15,25
6	AW104	1000213	BACKWASH CONTROL 12 WITH O-RING	10	64	OK	15,69
6	AW105	1000214	BACKWASH CONTROL 13 WITH O-RING	10	64	OK	15,25
6	AW106	1000215	BACKWASH CONTROL 14 WITH O-RING	10	64	OK	17,41
6	AV044	1030355	EXTERNAL BACKWASH 05 GPM	10	62	OK	31,17
6	AV045	1030356	EXTERNAL BACKWASH 06 GPM	10	62	OK	32,33
6	AV046	1030357	EXTERNAL BACKWASH 07 GPM	10	62	OK	32,04
6	AV047	1030358	EXTERNAL BACKWASH 08 GPM	10	62	OK	32,33
6	AV048	1030359	EXTERNAL BACKWASH 09 GPM	10	62	OK	32,33





## PARTS LIST VALVE LOGIX 263-268-269-278

Number	Ref	P.N.	Description	Fam.	Subfam.	Disp. Stock	Price Euro
6	AV049	1030360	EXTERNAL BACKWASH 10 GPM	10	62	OK	32,04
6	AV141	1000406	EXTERNAL BACKWASH CONTROL 12 GPM	10	62	OK	49,71
6	AV142	1000407	EXTERNAL BACKWASH CONTROL 15 GPM	10	62	OK	51,57
6	AV144	1000409	EXTERNAL BACKWASH CONTROL 20 GPM	10	62	OK	47,34
8	AW125	1000226	SCREEN/CAP ASSEMBLY WITH O-RING	10	64	OK	5,47
9	AW133	1035730	INJECTOR E YELLOW WITH O-RING	10	64	OK	10,91
9	AW134	1035731	INJECTOR F PEACH WITH O-RING	10	64	OK	11,02
9	AW135	1035732	INJECTOR G TAN WITH O-RING	10	64	OK	10,91
9	AW136	1035733	INJECTOR H LIGHT PURPLE WITH O-RING	10	64	OK	10,51
9	AW137	1035734	INJECTOR J LIGHT BLUE WITH O-RING	10	64	OK	10,51
9	AW138	1035735	INJECTOR K PINK WITH O-RING	10	64	OK	10,51
9	AW348	1035736	INJECTOR L ORANGE WITH O-RING P/N 1035736	10	64	OK	11,02
9	AW349	1035737	INJECTOR M BROWN WITH O-RING P/N 1035737	10	64	OK	10,58
9	AW350	1035738	INJECTOR N GREEN WITH O-RING P/N 1035738	10	64	OK	10,58
9	AW351	1035739	INJECTOR Q PURPLE WITH O-RING P/N 1035739	10	64	OK	10,58
9	AW352	1035884	INJECTOR R GREY WITH O-RING P/N 1035884	10	64	OK	10,58
9	AW385	1032980	INJECTOR 5 BUMP SIZE 10" WITH O-RING	10	64	OK	18,87
9	AW387	1034119	INJECTOR 8 BUMP WITH O-RING	10	64	OK	33,14
10A	AW118	1243510	BRINE REFILL CONTROL .33 GPM	10	64	OK	15,69
10B	AW327	1000519	BRINE REFILL CONTROL 1.3 GPM P/N 1000519	10	64	OK	23,17
11	AW139	1030502	FLOW CONTROL BALL	10	64	OK	1,35
11	AW308	1030334	PLUGGED REFILL CONTROL 263	10	64	OK	9,85
12	AV175	1002449	ELBOW DRIAN FITTING 3/4" F	10	62	OK	6,64
13	AW169	1232370	O-RING 1.05"	10	64	OK	1,67
14	AW107	1000269	INJECTOR CAP/BACKWASH OPEN 00	10	64	OK	5,25

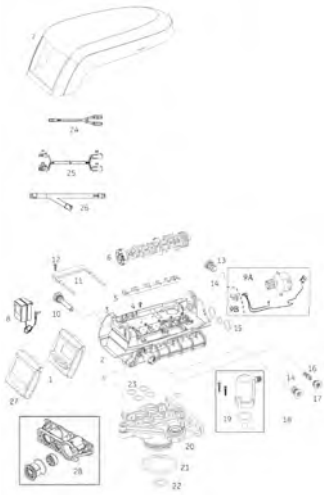


## PARTS LIST VALVE LOGIX 263-268-269-278

Number	Ref	P.N.	Description	Fam.	Subfam.	Disp. Stock	Price Euro
15	AW319	1035622	TANK RING 2,5" FOR 263-268-278 P/N 1035622	10	64	OK	11,27
16	AV030B		MANIFOLD KIT BRASS MALE 3/4" GAS*	10	62	OK	19,72
16	AV031B		MANIFOLD KIT BRASS MALE " GAS*	10	62	OK	19,80
16	AV032	1001615	MANIFOLD KIT PVC D,32	10	62	OK	34,56
16	AV038		MANIFOLD KIT BRASS MALE 1 1/4" GAS*	10	62	OK	62,88
17	AW129	1235373	OPTIC SENSOR P/N 1235373	10	64	OK	22,00
18	AW126	1238861	MOTOR W/SPACER AND PINION AND CABLE SERIES 700 P/N 1238861	10	64	OK	97,09
Not shown	AW172	1010154	O-RING ADAPTER FOR PRESSURE VESSEL 2.1/2"	10	64	OK	7,00
Not shown	AW329	1041174	VALVE DISCS KIT FOR 263-268-273-278	10	64	OK	65,95
Not shown	AV037	1239760	BLENDING KIT SCREW FOR 700 SERIES AND 255/400 NEWSTYLE	10	62	OK	14,41
Not shown	AW128	1235446	TURBINE CABLE 255-268-278/700	10	64	OK	33,58
19	AW328	1033444	TURBINE ASSEMBLY	10	64		27,99
Not shown	AW124	1233187	MOTOR LOCKING PIN	10	64	OK	2,04
Not shown	AV057	1239711	FRONT MOUNT SWITCH KIT 255-263-268 0,1A	10	62	OK	80,37
Not shown	AV058	1239752	FRONT MOUNT SWITCH KIT 255-263-268 5A	10	62	OK	77,48
Not shown	AV069	1239754	TOP PLATE SWITCH KIT 255-263-268 5A	10	62	OK	73,80
Not shown	AV036A	1256257	KIT REMOTE LOGIX CONTROL W/TERMINAL BLOCKS P/N 1256257	10	62	NO	72,56
Not shown	AV023	1242411	EXTENSION CORD Lg=50cm FOR CAB. P/N 1242411	10	62	OK	31,71
Not shown	AV023A	1239979	4 PIN CONNECTOR CABLE START 700 SERIES	10	62	OK	40,00



## 255/764 VALVE EXPLODED VIEW & PARTS LIST



Number	Ref	P.N.	Description	Fam.	Subfam.	Disp. Stock	Price Euro
1	AW505E		TIMER 764C W/CHECK SALT 12V 50/60HZ SYMBOL*	10	64	OK	402,65
2+3+4+5	AW168	1244650	255/700 VALVE ASSEMBLY W/O FLOW CONTROLS	10	64	OK	249,29
3	AW162	1235340	TOP PLATE 253/255 LOGIX P/N 1235341	10	64	OK	68,51
4-12	AW174	3030450	TOP PLATE SCREW NO 8x9/16"	10	64	OK	0,94
5	AW163	1235341	SPRING ONE PIECE 255 VALVE P/N 1235341	10	64	OK	17,22
6	AW177	1236251	CAMSHAFT 255 LOGIX 764 TWIN P/N 1236251	10	64	OK	36,06
7	AW148	1236246	253-5/263-8 LOGIX STANDARD COVER P/N 1236246	10	64	OK	30,51
8	AW500	1000814	EUROPEAN TRANSFORMER 230/12V	10	64	OK	49,45
8	AW501	1000813	BRITISH TRANSFORMER	10	64	OK	53,87
9A	AW126	1238861	MOTOR W/SPACER AND PINION AND CABLE SERIES 700 P/N 1238861	10	64	OK	97,09
9B	AW129	1235373	OPTIC SENSOR P/N 1235373	10	64	OK	22,00
10	AW125	1000226	SCREEN/CAP ASSEMBLY WITH O-RING	10	64	OK	5,47
11	AW173	1031402	LOCKING BAR	10	64	OK	12,04
13	AW100	1000209	BACKWASH CONTROL 07 WITH O-RING	10	64	OK	15,25
13	AW101	1000210	BACKWASH CONTROL 08 WITH O-RING	10	64	OK	15,98
13	AW102	1000211	BACKWASH CONTROL 09 WITH O-RING	10	64	OK	15,25
13	AW103	1000212	BACKWASH CONTROL 10 WITH O-RING	10	64	OK	15,25
13	AW104	1000213	BACKWASH CONTROL 12 WITH O-RING	10	64	OK	15,69
13	AW105	1000214	BACKWASH CONTROL 13 WITH O-RING	10	64	OK	15,25
13	AW106	1000215	BACKWASH CONTROL 14 WITH O-RING	10	64	OK	17,41
14	AW139	1030502	FLOW CONTROL BALL	10	64	OK	1,35
15	AW196	1040459	O-RING SET*	10	64	OK	0,40

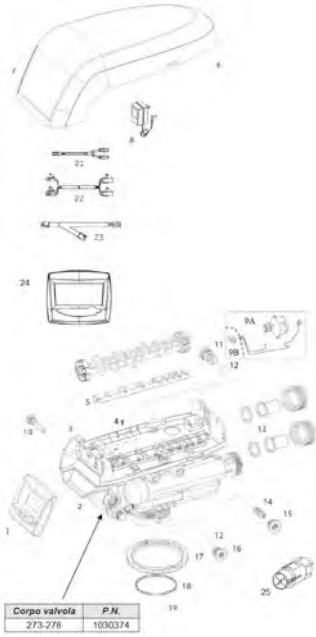


## PARTS LIST VALVE 255/764

Number	Ref	P.N.	Description	Fam.	Subfam.	Disp. Stock	Price Euro
16	AW133	1035730	INJECTOR E YELLOW WITH O-RING	10	64	OK	10,91
16	AW134	1035731	INJECTOR F PEACH WITH O-RING	10	64	OK	11,02
16	AW135	1035732	INJECTOR G TAN WITH O-RING	10	64	OK	10,91
16	AW136	1035733	INJECTOR H LIGHT PURPLE WITH O-RING	10	64	OK	10,51
16	AW137	1035734	INJECTOR J LIGHT BLUE WITH O-RING	10	64	OK	10,51
16	AW138	1035735	INJECTOR K PINK WITH O-RING	10	64	OK	10,51
16	AW348	1035736	INJECTOR L ORANGE WITH O-RING P/N 1035736	10	64	OK	11,02
16	AW349	1035737	INJECTOR M BROWN WITH O-RING P/N 1035737	10	64	OK	10,58
16	AW350	1035738	INJECTOR N GREEN WITH O-RING P/N 1035738	10	64	OK	10,58
16	AW351	1035739	INJECTOR Q PURPLE WITH O-RING P/N 1035739	10	64	OK	10,58
16	AW352	1035884	INJECTOR R GREY WITH O-RING P/N 1035884	10	64	OK	10,58
17	AW107	1000269	INJECTOR CAP/BACKWASH OPEN 00	10	64	OK	5,25
18	AW118	1243510	BRINE REFILL CONTROL .33 GPM	10	64	OK	15,69
19	AW190	1032417	KIT AIR-CHECK 1/4" MALE	10	64	OK	23,79
20	AW170	1033784	ADAPTER PRESSURE VESSEL 2.1/2" FOR TUBE 1.05"	10	64	OK	157,02
21	AW172	1010154	O-RING ADAPTER FOR PRESSURE VESSEL 2.1/2"	10	64	OK	7,00
22	AW169	1232370	O-RING 1.05"	10	64	OK	1,67
23	AW195	1001404	O-RING SET FOR 255 VALVE TOP/BOTTOM COUPLING	10	64	OK	9,78
24	AW365	3016715	Y CABLE 4 PIN TURBINE SENSOR P/N 3016715	10	64	OK	49,78
25	AW366	3016775	INTERCONNECTION CABLE LOGIX TWIN LG 3 M P/N 3016775	10	64	OK	176,44
26	AW367	3020228	START/LOCKOUT CABLE 3 PIN MULTI TANK P/N 3020228	10	64	OK	68,25
27	AW504	1254886	SLAVE CONTROLLER P/N 1254886	10	64	OK	48,25
28	AW201	1032350	METER ADAPTER KIT	10	64	OK	72,63
Not shown	AW124	1233187	MOTOR LOCKING PIN	10	64	OK	2,04
Not shown	AW128	1235446	TURBINE CABLE 255-268-278/700	10	64	OK	33,58



## PARTS LIST VALVE 278/764



Number	Ref	P.N.	Description	Fam.	Subfam.	Disp. Stock	Price Euro
1	AW505E		TIMER 764C W/CHECK SALT 12V 50/60HZ SYMBOL*	10	64	OK	402,65
2+3+4+5+19	AW363	1255105	278 VALVE ASSMBLY W/O FLOW CONTROLS	10	64	OK	349,34
4	AW174	3030450	TOP PLATE SCREW NO 8x9/16"	10	64	OK	0,94
5	AW360	1235339	VALVE DISC SPRING ONE PIECE 263/268 LOGIX P/N 1235339	10	64	OK	16,93
6	AW361	1237405	CAMSHAFT 278 LOGIX P/N 1237405	10	64	OK	32,99
6	AW364	1237406	CAMSHAFT 278 LOGIX 764 TWIN P/N 1237406	10	64	OK	46,68
7	AW148	1236246	253-5/263-8 LOGIX STANDARD COVER P/N 1236246	10	64	OK	30,51
8	AW500	1000813	EUROPEAN TRANFORMER 230/12V	10	64	OK	49,45
8	AW501	1000811	BRITISH TRANFORMER	10	64	OK	53,87
9A	AW126	1238861	MOTOR W/SPACER AND PINION AND CABLE SERIES 700 P/N 1238861	10	64	OK	97,09
9B	AW129	1235373	OPTIC SENSOR P/N 1235373	10	64	OK	22,00
10	AW125	1000226	SCREEN/CAP ASSEMBLY WITH O-RING	10	64	OK	5,47
11	AW100	1000209	BACKWASH CONTROL 07 WITH O-RING	10	64	OK	15,25
11	AW101	1000211	BACKWASH CONTROL 08 WITH O-RING	10	64	OK	15,98
11	AW103	1000212	BACKWASH CONTROL 10 WITH O-RING	10	64	OK	15,25
11	AW104	1000213	BACKWASH CONTROL 12 WITH O-RING	10	64	OK	15,69
11	AW105	1000214	BACKWASH CONTROL 13 WITH O-RING	10	64	OK	15,25
11	AW106	1000215	BACKWASH CONTROL 14 WITH O-RING	10	64	OK	17,41
12	AW139	1030502	FLOW CONTROL BALL	10	64	OK	1,35
13	AV031B		MANIFOLD KIT BRASS MALE " GAS*	10	62	OK	19,80
13	AV032	1001615	MANIFOLD KIT PVC D,32	10	62	OK	34,56
13	AV038		MANIFOLD KIT BRASS MALE 1 1/4" GAS*	10	62	OK	62,88
13	AW183		MANIFOLD+NUT 1,1/4" BRASS	10	64	OK	16,86

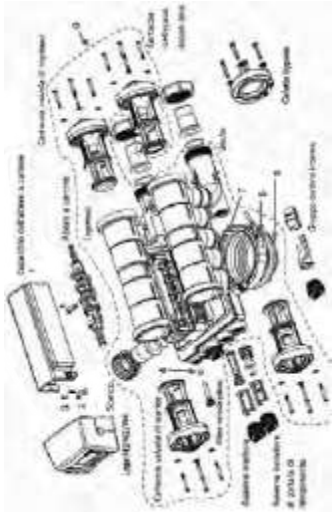


## PARTS LIST VALVE 278/764

Number	Ref	P.N.	Description	Fam.	Subfam	Disp. Stock	Price Euro
14	AW133	1035730	INJECTOR E YELLOW WITH O-RING	10	64	OK	10,91
14	AW134	1035731	INJECTOR F PEACH WITH O-RING	10	64	OK	11,02
14	AW135	1035732	INJECTOR G TAN WITH O-RING	10	64	OK	10,91
14	AW136	1035733	INJECTOR H LIGHT PURPLE WITH O-RING	10	64	OK	10,51
14	AW137	1035734	INJECTOR J LIGHT BLUE WITH O-RING	10	64	OK	10,51
14	AW138	1035735	INJECTOR K PINK WITH O-RING	10	64	OK	10,51
14	AW348	1035736	INJECTOR L ORANGE WITH O-RING P/N 1035736	10	64	OK	11,02
14	AW349	1035737	INJECTOR M BROWN WITH O-RING P/N 1035737	10	64	OK	10,58
14	AW350	1035738	INJECTOR N GREEN WITH O-RING P/N 1035738	10	64	OK	10,58
14	AW351	1035739	INJECTOR Q PURPLE WITH O-RING P/N 1035739	10	64	OK	10,58
14	AW352	1035884	INJECTOR R GREY WITH O-RING P/N 1035884	10	64	OK	10,58
15	AW107	1000269	INJECTOR CAP/BACKWASH OPEN 00	10	64	OK	5,25
16	AW118	1243510	BRINE REFILL CONTROL .33 GPM	10	64	OK	15,69
16	AW327	1000519	BRINE REFILL CONTROL 1.3 GPM P/N 1000519	10	64	OK	23,17
17	AW319	1035622	TANK RING 2,5" FOR 263-268-278 P/N 1035622	10	64	OK	11,27
18	AW172	1010154	O-RING ADAPTER FOR PRESSURE VESSEL 2.1/2"	10	64	OK	7,00
19	AW169	1232370	O-RING 1.05"	10	64	OK	1,67
21	AW365	3016715	Y CABLE 4 PIN TURBINE SENSOR P/N 3016715	10	64	OK	49,78
22	AW366	3016775	INTERCONNECTION CABLE LOGIX TWIN LG 3 M P/N 3016775	10	64	OK	176,44
23	AW367	3020228	START/LOCKOUT CABLE 3 PIN MULTI TANK P/N 3020228	10	64	OK	68,25
24	AW504	1254886	SLAVE CONTROLLER P/N 1254886	10	64	OK	48,25
Not shown	AW124	1233187	MOTOR LOCKING PIN	10	64	OK	2,04
Not shown	AW128	1235446	TURBINE CABLE 255-268-278/700	10	64	OK	33,58
25	AW328	1033444	TURBINE ASSEMBLY	10	64	OK	27,99



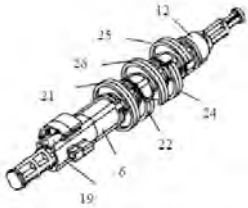
## MAGNUM VALVE 700 SERIES EXPLODED VIEW



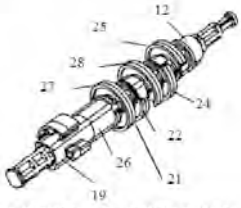
Number	Ref	P.N.	Description	Fam.	Subfam.	Disp. Stock	Price Euro
1	CD140	1000343	CAMSHAFT COVER	20	83	NO	16,13
2	CD100	1000589	PILLOW BLOCK CAP	20	83	OK	4,52
3	CD109	3030505	MAGNUM VALVE LONG SCREW	20	83	OK	0,91
4	CD144	3025780	INTERNAL CHECK VALVE	20	83	OK	16,09
5	CD171	3029252	CD171 AISI 304 MAGNUM ADAPTER P/N 3029252	20	83	NO	N.A.
Not shown	CD172	CH20805	NORYL 6" FLANGED MAGNUM ADAPTER	20	83	OK	169,72
6	CD173	3024785	CLAMP AISI 304 P/N 3024785	20	83	OK	171,98
7	CD174	3026486	O RING CLAMP P/N 3026486	20	83	OK	22,95



## MAGNUM VALVE 700 SERIES SPARE PARTS



A) ALBERO A CAMME 5 CICLI  
ADDOLCITORE/FILTRO LOGIX



B) ALBERO A CAMME TWIN  
LOGIX

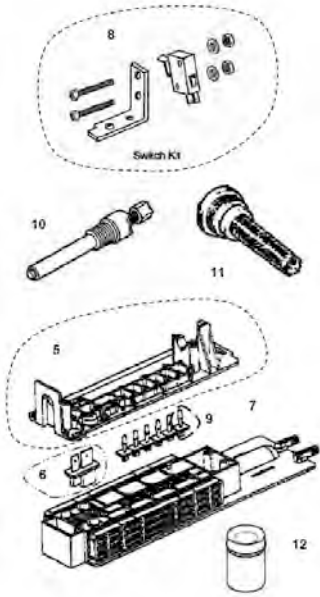
Number	Ref	P.N.	Description	Fam.	Subfam.	Disp. Stock	Price Euro
A)	CD125	1267726	3-5 CYCLES MAGNUM LOGIX SIMPLEX CAMSHAFT	20	83	OK	164,46
consisting of							
19		1000499	Brine Cam - TAN				
6		1000462	Standard Cam - BLACK				
21		1001620	Pilot Cam # 1 - TAN				
22		1001621	Pilot Cam # 2 - BLU				
26		1267724	Pilot Cam # 3 - GREY				
24		1001623	Pilot Cam # 4 - YELLOW				
25		1001624	Pilot Cam # 5 - ORANGE				
12		1000469	Pilot Cam # 6 - RED				

Number	Ref	P.N.	Description	Fam.	Subfam.	Disp. Stock	Price Euro
B)	CD126	1001751	3-5 CYCLES MAGNUM LOGIX TWIN CAMSHAFT P/N 1001751	20	83	OK	161,43
consisting of							
19		1000499	Brine Cam - TAN				
26		1034356	Spacer Cam - BLACK				
27		1233554	Standard Cam - TAN				
21		1001620	Pilot Cam # 1 - TAN				
22		1001621	Pilot Cam # 2 - BLU				
28		1001622	Pilot Cam # 3 - GREEN				
24		1001623	Pilot Cam # 4 - YELLOW				
25		1001624	Pilot Cam # 5 - ORANGE				
12		1000469	Pilot Cam # 6 - RED				





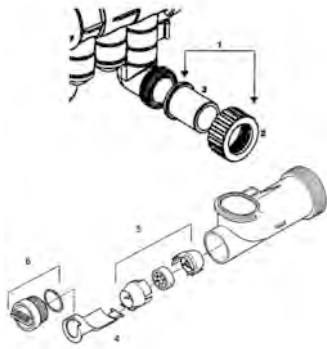
## MAGNUM VALVE 700 SERIES SPARE PARTS



Number	Ref.	P.N.	Description	Fam.	Subfam.	Disp. Stock	Price Euro
5	CD141	1000339	MAGNUM PLATE P/N 1000339	20	83	OK	29,78
Not shown	AW174	3030450	TOP PLATE SCREW NO 8x9/16"	10	64	OK	0,94
Not shown	CD109	3030505	MAGNUM VALVE LONG SCREW	20	83	OK	0,91
6	CD143	1000391	BRINE FLAPFOR VALVE P/N 1000391	20	83	OK	N.A.
Not shown	AW181	1001580	VALVE DISC SPRING	10	64	OK	1,31
Not shown	CD020	1040692	VALVE DISCS KIT FOR MAGNUM	20	83	OK	60,69
Not shown	CD161	1010162	4" TANK ADAPTER O-RING	20	83	OK	9,30
8	CC119	3019468	KIT N.1 MICRO SWITCH 0.1 AMPERE P/N 3019468	20	82	NO	61,57
8	CC120	3019469	KIT N. 1 MICRO SWITCH 5.0 AMPERE P/N 3019469	20	82	OK	53,83
Not shown	CC124	3019467	KIT N. 3 MICRO SWITCH 5,0 AMPERE P/N 3019467	20	82	OK	92,16
10	CC130	1040668	EXTERNAL PILOT FEED ADAPTER	20	82	OK	116,14
11	AW125	1000226	SCREEN/CAP ASSEMBLY WITH O-RING	10	64	OK	5,47
12	CD144	3025780	INTERNAL CHECK VALVE	20	83	OK	16,09



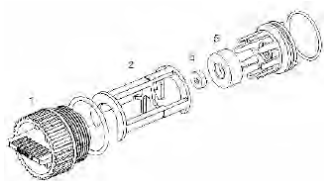
## MAGNUM VALVE INSTALLATION ADAPTER PARTS



Number	Ref	P.N.	Description	Fam.	Subfam.	Disp. Stock	Price Euro
1	CC080	3023673	MAGNUM 1,5" STAINLESS STEEL ADAPTER KIT BSPT	20	82	OK	155,30
1	CC081	1001656	MAGNUM 1.5" PVC D.50 MM ADAPTER KIT	20	82	OK	69,56
1	CC082	3023674	MAGNUM 2" STAINLESS STEEL ADAPTER KIT BSPT	20	82	OK	196,88
1	CC083	1040785	MAGNUM 2" PVC D.63 MM ADAPTER KIT	20	82	OK	161,14
2	CD151	1000356	1.5" NORYL ADAPTER NUT	20	83	OK	12,04
2	CD152	1030664	2" SS ADAPTER NUT	20	83	OK	51,02
3	CD153	3014556	1.5" SS BSPT ADAPTER	20	83	OK	72,19
3	CD156	1000359	50 MM METRIC CPVC ADAPTER	20	83	NO	N.A.
3	CD163		1.5" BSPT FEMALE ADAPTER AVP GALVANIZED	20	83	OK	35,52
3	CD164		1.1/4" BSPT FEMALE ADAPTER AVP GALVANIZED	20	83	OK	51,02
4	CD067	1000074	INSERT CORNER 2"	20	83	OK	6,20
5	CD068	1232965	ASSEMBLY TURBINE IT 2" P/N 1232965	20	83	OK	108,29
6	CD099	1040688	PLUG FOR INJECTOR, REFILL AND PRESSURE REGULATORPORTS	20	83	OK	13,46
Not shown	CD158	1010160	1.5" ADAPTER & 48.3 MM TUBE O-RING	20	83	OK	4,63
Not shown	CD159	1010165	2" ADAPTER O-RING	20	83	OK	6,60
Not shown	CD161	1010162	4" TANK ADAPTER O-RING	20	83	OK	9,30
Not shown	CD162	1030891	GASKET FOR 2" TURBINE	20	83	OK	8,83
Not shown	CC084	1040921	SIDE MOUNT ADAPTER PVC 2" BSPT FEMALE	20	82	OK	309,88
Not shown	CD069	1033358	2" FLOW METER BODY	20	83	OK	911,44
Not shown	CD073	1034081	2" FLOW METER W/ 63 MM METRIC CPVC ADAPTER	20	83	OK	673,35



## MAGNUM REFILL CONTROL ASSEMBLY PARTS



Number	Ref	P.N.	Description	Fam.	Subfam.	Disp. Stock	Price Euro
1	CD099	1040688	PLUG FOR INJECTOR, REFILL AND PRESSURE REGULATORPORTS	20	83	OK	13,46
3	CD089	1040687	REFILL CONTROL ASSEMBLY W/O REFILL CONTROL	20	83	OK	40,36
4	CD081	1000421	BRINE REFIL CONTROLLER 0.7 GPM FOR PRESSURE VESSEL 14"	20	83	OK	20,11
4	CD082	1000422	BRINE REFIL CONTROLLER 0.8 GPM FOR PRESSURE VESSEL 16"	20	83	OK	20,11
4	CD083	1000423	BRINE REFIL COMTROLLES 1.0 GPM FOR PRESSURE VESSEL 18"	20	83	OK	20,11
4	CD084	1000424	BRINE REFIL CONTROLLER 1.4 GPM FOR PRESSURE VESSEL 21"	20	83	OK	20,11
4	CD085	1000425	BRINE REFIL CONTROLLER 2.0 GPM FOR PRESSURE VESSEL 24"	20	83	OK	20,11
4	CD086	1000426	BRINE REFIL CONTROLLER 3.0 GPM FOR PRESSURE VESSEL 30"	20	83	OK	20,11
4	CD087	1000427	BRINE REFIL CONTROLLER 5.0 GPM FOR PRESSURE VESSEL 36"	20	83	OK	20,11
5	CD080	1000479	REFILL CONTROL CAGE	20	83	OK	14,34

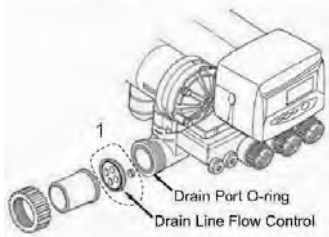
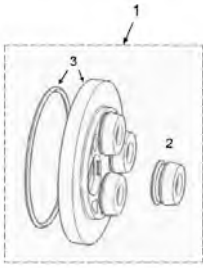
## MAGNUM INJECTOR ASSEMBLY PARTS



Number	Ref	P.N.	Description	Fam.	Subfam.	Disp. Stock	Price Euro
1	CD091	1040670	INJECTOR 0.5 GPM FOR PRESSURE VESSEL 14"	20	83	OK	37,99
1	CD092	1040671	INJECTOR 0.5 GPM FOR PRESSURE VESSEL 16"	20	83	OK	37,99
1	CD093	1040672	INJECTOR 0.6 GPM FOR PRESSURE VESSEL 18"	20	83	OK	37,99
1	CD094	1040673	INJECTOR 0.9 GPM FOR PRESSURE VESSEL 21"	20	83	OK	37,99
1	CD095	1040674	INJECTOR 1.4 GPM FOR PRESSURE VESSEL 24"	20	83	OK	37,99
1	CD096	1040675	INJECTOR 2.0 GPM FOR PRESSURE VESSEL 30"	20	83	OK	37,99
1	CD097	1040676	INJECTOR 3.3 GPM FOR PRESSURE VESSEL 36"	20	83	OK	37,99
1	CD098	1040669	BLANK INJECTOR	20	83	OK	69,09
2	CD088	1040677	INJECTOR ASSEMBLY W/O INJECTOR	20	83	OK	28,65
3	CD090	1000322	INJECTOR SCREEN P/N 1000322	20	83	OK	13,46
4	CD099	1040688	PLUG FOR INJECTOR, REFILL AND PRESSURE REGULATORPORTS	20	83	OK	13,46



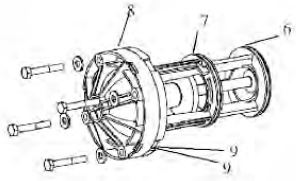
## MAGNUM DRAIN LINE FLOW CONTROL PART LIST



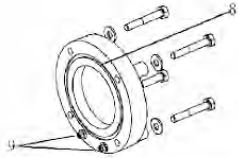
Number	Ref	P.N.	Description	Fam.	Subfam.	Disp. Stock	Price Euro
1	CC101	1040720	FLOW CONTROL DISK 05 GPM	20	82	OK	66,24
1	CC102	1040721	FLOW CONTROL DISK 06 GPM	20	82	OK	60,22
1	CC103	1040723	FLOW CONTROL DISK 08 GPM	20	82	OK	60,22
1	CC104	1040725	FLOW CONTROL DISK 10 GPM	20	82	OK	66,24
1	CC105	1040728	FLOW CONTROL DISK 13 GPM	20	82	OK	66,90
1	CC114	1040729	FLOW CONTROL DISK 14 GPM	20	82	OK	66,90
1	CC106	1040740	FLOW CONTROL DISK 15 GPM	20	82	OK	66,90
1	CC107	1040745	FLOW CONTROL DISK 20 GPM	20	82	OK	66,24
1	CC108	1040747	FLOW CONTROL DISK 22 GPM	20	82	OK	66,90
1	CC110	1040735	FLOW CONTROL DISK 30 GPM	20	82	OK	66,24
1	CC111	1040750	FLOW CONTROL DISK 35 GPM	20	82	OK	66,90
1	CC112	1040755	FLOW CONTROL DISK 40 GPM	20	82	OK	66,90
1	CD101	1040756	FLOW CONTROL INSERT 05 GPM BLUE	20	83	OK	7,99
2	CD102	1040757	FLOW CONTROL INSERT 06 GPM RED	20	83	OK	4,41
2	CD103	1040758	FLOW CONTROL INSERT 07 GPM LIGHT BROWN	20	83	OK	4,40
2	CD104	1040759	FLOW CONTROL INSERT 08 GPM GREEN	20	83	OK	4,44
2	CD105	1040760	FLOW CONTROL INSERT 09 GPM LIGHT BROWNE	20	83	OK	4,41
2	CD106	1040761	FLOW CONTROL INSERT 10 GPM BRICK RED	20	83	OK	4,19
2	CD107	1040763	BLANK FLOW CONTROL INSERT BLACK	20	83	OK	4,40
2	CD180		DLFC INSERTS KIT*	20	83	OK	37,77
3	CD108	1040762	FLOW CONTROL DISC WITH O-RING	20	83	OK	49,96



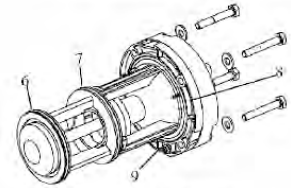
## MAGNUM CARTRIDGES PARTS LIST



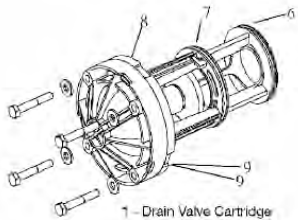
2 - Rinse Valve Cartridge



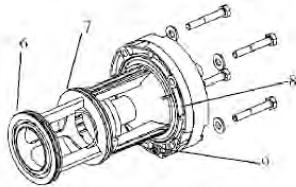
4 - Hard Water Bypass Cap



5 - Inlet Valve Cartridge



1 - Drain Valve Cartridge

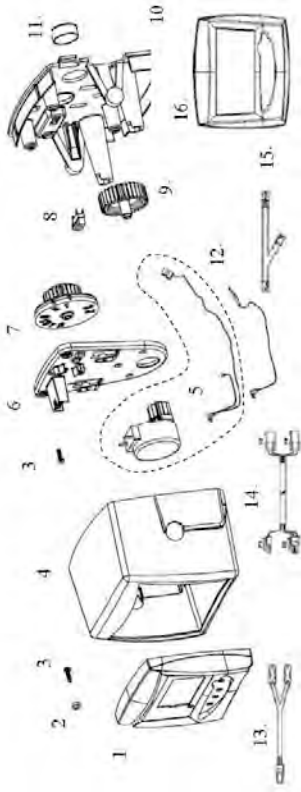


3 - No Hard Water Bypass Valve Cartridge

Number	Ref	P.N.	Description	Fam.	Subfam.	Disp. Stock	Price Euro
1-3	CD111	1000366	DRAIN VALVE/NO HARD WATER BYPASS VALVE CARTRIDGE	20	83	OK	155,19
2	CD112	1000365	RINSE VALVE CARTRIDGE	20	83	OK	215,86
4	CD114	1000336	HARD WATER BYPASS CAP	20	83	OK	46,39
5	CD113	1000317	INLET VALVE CARTRIDGE	20	83	OK	215,86
6	CD118	1010157	O RING # 6 P/N 1010157	20	83	OK	3,57
7	CD119	1010158	O RING # 7 P/N 1010158	20	83	OK	3,57
8	CD120	1231646	O RING # 8 P/N 1231646	20	83	OK	3,92
9	CD124	1010116	O RING # 9 P/N 1010116	20	83	OK	1,27
Not shown	CD116	1040690	O-RING KIT FOR HARD WATER BYPASS CAP P/N 1040690	20	83	OK	16,16
Not shown	CD115	1040689	O-RING KIT P/N 1040689	20	83	OK	18,54



## SERIES MAGNUM 700 TIMER LIST



Number	Ref	P.N.	Description	Fam.	Subfam.	Disp. Stock	Price Euro
1	AW512E		TIMER 742C W/CHECK SALT 12V 50/60HZ SYMBOL*	10	64	OK	286,40
1	AW515E		TIMER 762C W/CHECK SALT 12V 50/60HZ SYMBOL*	10	64	OK	406,36
1	AW518E		TIMER 742F W/CHECK SALT 12V 50/60HZ SYMBOL*	10	64	OK	278,87
1	AW525E		TIMER 762F W/CHECK SALT 12V 50/60HZ SYMBOL*	10	64	OK	354,79
1	AW505E		TIMER 764C W/CHECK SALT 12V 50/60HZ SYMBOL*	10	64	OK	402,65
2	CD135	1266224	BUSHING LOGIX MOUNT	20	83	OK	1,71
3	CD136	1005981	SCREW FOR MAGNUM LOGIX MOUNT	20	83	OK	1,71
5	AW126	1238861	MOTOR W/SPACER AND PINION AND CABLE SERIES 700 P/N 1238861	10	64	OK	97,09
7	CD139	1262581	DRIVE GEAR LOGIX MAGNUM CONTROL	20	83	NO	N.A.
8	AW129	1235373	OPTIC SENSOR P/N 1235373	10	64	OK	22,00
9	CD128	1262672	IDLE GEAR LOGIX MAGNUM CONTROL	20	83	OK	94,24
12	CD131	1266722	TURBINE CABLE LOGIX LG=0.8 M	20	83	OK	91,03
12	CD132	1266723	TURBINE CABLE LOGIX LG=3 M	20	83	OK	78,54
13	AW365	3016715	Y CABLE 4 PIN TURBINE SENSOR P/N 3016715	10	64	OK	49,78
14	AW366	3016775	INTERCONNECTION CABLE LOGIX TWIN LG 3 M P/N 3016775	10	64	OK	176,44
15	AW367	3020228	START/LOCKOUT CABLE 3 PIN MULTI TANK P/N 3020228	10	64	OK	68,25
16	AW504	1254886	SLAVE CONTROLLER P/N 1254886	10	64	OK	48,25
Not shown	AW500	1000814	EUROPEAN TRANSFORMER 230/12V	10	64	OK	49,45
Not shown	AW501	1000813	BRITISH TRANSFORMER	10	64	OK	53,87
Not shown	AV036A	1256257	KIT REMOTE LOGIX CONTROL W/TERMINAL BLOCKS P/N 1256257	10	62	NO	72,56
Not shown	AV023A	1239979	4 PIN CONNECTOR CABLE START 700 SERIES	10	62	OK	40,00



## PARTS LIST VALVE 255 D.I.

Number	Ref.	P.N.	Description	Fam.	Subfam.	Disp. Stock	Price Euro
Not shown	AW030	1030933	BACWASH BALL 155 DEMI	10	64	OK	N.A.
Not shown	AW040	1033441	CAP 255 DI P/N 1033442	10	64	OK	N.A.
Not shown	AW042	1034118	INJECTOR B 255 DI P/N 1034118	10	64	OK	36,46
Not shown	AW043	1034119	INJECTOR C 255 DI P/N 1034119	10	64	OK	33,14
Not shown	AW044	1033437	BACKWASH 08 255DI P/N 1033437	10	64	OK	31,60
Not shown	AW045	1033438	BACKWASH 09 255 DI P/N 1033438	10	64	OK	34,78
Not shown	AW047	1033440	BACKWASH 12 255DI P/N 1033440	10	64	OK	N.A.
Not shown	AW048	1034110	CHECK VALVE 255 DI	10	64	OK	13,39
Not shown	AW049EP	1034185	EPDM O-RING SET FOR 255 DI VALVE TOP/BOTTOM COUPLING*	10	64	OK	3,74
Not shown	AW050EP	1033268	KIT OR EPDM 255 DI*	10	64	OK	1,05



## Autotrol Valves Series 255 Accessories



**Bypass Kits 256:** with gaskets, brass adapters, screws and nuts.

Ref	Description	Fam.	Subfam.	Disp. Stock	Price Euro
AV028	BY-PASS 256 KIT BRASS 3/4" GAS*	10	62	OK	80,21
AV029	BY-PASS 256 KIT BRASS 1" GAS*	10	62	OK	80,29

Ref	Description	Connections in/out	Drain line
AV028	BY-PASS 256 KIT BRASS 3/4" GAS*	3/4"	1/2"
AV029	BY-PASS 256 KIT BRASS 1" GAS*	1"	1/2"

Box: WxLxH	Box: Q.ty	Box: Weight	Pallet: WxLxH	Pallet: Q.ty	Pallet: Weight



**Female manifold kits:** with o-rings, screws and nuts.

Ref	Description	Fam.	Subfam.	Disp. Stock	Price Euro
AV013	MANIFOLD KIT NORYL FEMALE 3/4" BSPT	10	62	OK	20,80
AV010	MANIFOLD KIT BRASS FEMALE 3/4" GAS*	10	62	OK	38,92
AV011	MANIFOLD KIT BRASS FEMALE 1" GAS*	10	62	OK	41,77

Ref	Description	Connections In/Out	Drain line	Material
AV013	MANIFOLD KIT NORYL FEMALE 3/4" BSPT	3/4"	1/2"	Noryl
AV010	MANIFOLD KIT BRASS FEMALE 3/4" GAS*	3/4"	3/8"	Brass
AV011	MANIFOLD KIT BRASS FEMALE 1" GAS*	1"	1/2"	Brass

Box: WxLxH	Box: Q.ty	Box: Weight	Pallet: WxLxH	Pallet: Q.ty	Pallet: Weight



**Female mixing manifold kits :** with o-rings, screws and nuts.

Ref	Description	Fam.	Subfam.	Disp. Stock	Price Euro
AV007	MANIFOLD KIT 3/4" GAS BRASS MIXER*	10	62	OK	57,41
AV012	MANIFOLD KIT BRASS FEMALE 1" GAS MIXER*	10	62	OK	54,33

Ref	Description	Connections in/out	Drain line	Material
AV007	MANIFOLD KIT 3/4" GAS BRASS MIXER*	3/4"	3/8"	Brass
AV012	MANIFOLD KIT BRASS FEMALE 1" GAS MIXER*	1"	1/2"	Brass

Box: WxLxH	Box: Q.ty	Box: Weight	Pallet: WxLxH	Pallet: Q.ty	Pallet: Weight





## Autotrol Valves Series 255 Accessories



### Male manifold kits

- in plastic material Noryl;
- with o-rings, screws and nuts.

Ref	Description	Fam.	Subfam.	Disp. Stock	Price Euro
AV001	MANIFOLD 3/4" MALE WITH TURBINE P/N 1234260	10	62	OK	88,51
AV001A	MANIFOLD 255 3/4" BSP MALE NORYL + KIT P/N 123425	10	62	OK	29,41
AV022	MANIFOLD 1" MALE WITH TURBINE + KIT P/N 1234259	10	62	OK	88,51
AV022A	MANIFOLD 255 1" BSP MALE NORYL + KIT P/N 1234255	10	62	OK	29,41

Ref	Description	Connections in/out	Drain line	Option
AV001	MANIFOLD 3/4" MALE WITH TURBINE P/N 1234260	3/4"	3/4"	With turbine
AV001A	MANIFOLD 255 3/4" BSP MALE NORYL + KIT P/N 123425	3/4"	3/4"	Without turbine
AV022	MANIFOLD 1" MALE WITH TURBINE + KIT P/N 1234259	1"	1/2"	With turbine
AV022A	MANIFOLD 255 1" BSP MALE NORYL + KIT P/N 1234255	1"	1/2"	Without turbine

Box: WxLxH	Box: Q.ty	Box: Weight	Pallet: WxLxH	Pallet: Q.ty	Pallet: Weight

### Slim cover for valve 255 Logix

- in plastic material.

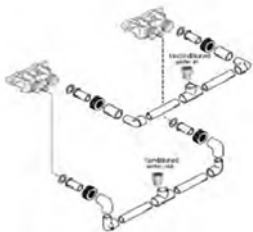


Ref	Description	Fam.	Subfam.	Disp. Stock	Price Euro
AW145	255 LOGIX SLIM COVER	10	10	NO	29,20

Box: WxLxH	Box: Q.ty	Box: Weight	Pallet: WxLxH	Pallet: Q.ty	Pallet: Weight

### D. 32 interconnection kit for 255/764twin residential duplex systems

- special manifold for AUTOTROL 255 valves included;
- for twin alternating and twin parallel systems



Ref	Description	Fam.	Subfam.	Disp. Stock	Price Euro
AV119	INTERCONNECTION KIT 255/764 TWIN D.32 X 1" FEMALE*	10	62	OK	274,07

Quantity	Description
2	Adapter PVC-U D = 32 mm - 1"
2	Tee connection T PVC-U D = 32 mm
4	Elbow PVC-U D = 32 mm D1 = 25 mm
4	Tube PVC-U D = 32 mm
2	Elbow D = 32 mm
2	Coupling sleeve D = 32 mm
2	Manifold kit with adapter D. 32 to glue
2	256 by-pass with o-rings, screws and nuts

Box: WxLxH	Box: Q.ty	Box: Weight	Pallet: WxLxH	Pallet: Q.ty	Pallet: Weight



## Autotrol Valves Series 263 - 268 - 278 Accessories

### 1265 bypass Kits

- special manifold for AUTOTROL valves series 263, 268 and 278;
- with gaskets, brass adapters and nuts.

Ref	Description	Fam.	Subfam.	Disp. Stock	Price Euro
AV039	BY-PASS 1265 KIT BRASS 1" GAS*	10	62	OK	111,46
AV040	BY-PASS KIT 1265 BRASS 1 1/4" GAS*	10	62	OK	155,56

Ref	Description	Connections in/out
AV039	BY-PASS 1265 KIT BRASS 1" GAS*	1"
AV040	BY-PASS KIT 1265 BRASS 1 1/4" GAS*	1 1/4 "

Box: WxLxH	Box: Q.ty	Box: Weight	Pallet: WxLxH	Pallet: Q.ty	Pallet: Weight

### Manifold Kits

- special manifold for AUTOTROL valves series 263, 268 and 278;
- with 2 gaskets, 2 adapters and 2 nuts.

Ref	Description	Fam.	Subfam.	Disp. Stock	Price Euro
AV030B	MANIFOLD KIT BRASS MALE 3/4" GAS*	10	62	OK	19,72
AV031B	MANIFOLD KIT BRASS MALE " GAS*	10	62	OK	19,80
AV032	MANIFOLD KIT PVC D,32	10	62	OK	34,56
AV038	MANIFOLD KIT BRASS MALE 1 1/4" GAS*	10	62	OK	62,88

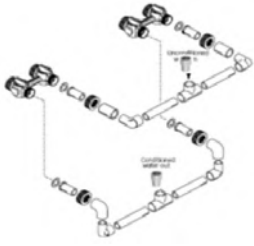
Ref	Description	Raccordi in/out
AV030B	MANIFOLD KIT BRASS MALE 3/4" GAS*	3/4
AV031B	MANIFOLD KIT BRASS MALE " GAS*	1"
AV032	MANIFOLD KIT PVC D,32	D.32
AV038	MANIFOLD KIT BRASS MALE 1 1/4" GAS*	1 1/4"

Box: WxLxH	Box: Q.ty	Box: Weight	Pallet: WxLxH	Pallet: Q.ty	Pallet: Weight





## Autotrol Valves Series 278 Accessories



### Kit di intercollegamento D. 32 per sistemi duplex residenziali 278/764 twin

- special manifold for AUTOTROL 278 valves included;
- for twin alternating and twin parallel systems;
- with IN/OUT connection D.32;

Ref	Description	Fam.	Subfam.	Disp. Stock	Price Euro
AV128	INTERCONNECTION KIT 278/764 TWIN D.32 X 1" FEMALE*	10	62	OK	337,99

Quantity	Description
2	Adapter PVC-U D = 32 mm - 1"
2	Tee connection T PVC-U D = 32 mm
4	Elbow PVC-U D = 32 mm D1 = 25 mm
4	Tube PVC-U D = 32 mm
2	Elbow D = 32 mm
2	Coupling sleeve D = 32 mm
2	Manifold kit with adapter D. 32 to glue
2	1265 by-pass with o-rings, screws and nuts

Box: WxLxH	Box: Q.ty	Box: Weight	Pallet: WxLxH	Pallet: Q.ty	Pallet: Weight



### D.40 interconnection kit for 278/764twin residential duplex systems

- special manifold for AUTOTROL 278 valves included;
- for twin alternating and twin parallel systems;
- with IN/OUT connection D.40;

Ref	Description	Fam.	Subfam.	Disp. Stock	Price Euro
AV129	INTERCONNECTION KIT 278/764 TWIN D.40 X 1" 1/4 FEMALE *	10	62	OK	354,91

Quantity	Description
2	Adapter PVC-U D = 40 mm - 1 1/4"
2	Tee connection T PVC-U D = 40 mm
4	Reducing socket PVC-U D = 40 mm D2 = 32 mm
4	Elbow PVC-U D = 32 mm D1 = 25 mm
4	Tube PVC-U D = 32 mm
2	Elbow D = 32 mm
2	Coupling sleeve D = 32 mm
2	Manifold kit with adapter D. 32 to glue
2	1265 by-pass with o-rings, screws and nuts

Box: WxLxH	Box: Q.ty	Box: Weight	Pallet: WxLxH	Pallet: Q.ty	Pallet: Weight



## Autotrol Valves Magnum Accessories

### Magnum side mounting adapters

- in PVC material



Ref	Description	Fam.	Subfam.	Disp. Stock	Price Euro
CC084	SIDE MOUNT ADAPTER PVC 2" BSPT FEMALE	20	82	OK	309,88
CC084A	MAGNUM SIDE MOUNT ADAPTER PVC D.63 MALE TO GLUE	20	82	OK	261,82

Box: WxLxH	Box: Q.ty	Box: Weight	Pallet: WxLxH	Pallet: Q.ty	Pallet: Weight



### Manifold kits

- with 3 nuts, 3 gaskets and 3 adapters.

Ref	Description	Fam.	Subfam.	Disp. Stock	Price Euro
CC080	MAGNUM 1,5" STAINLESS STEEL ADAPTER KIT BSPT	20	82	OK	155,30
CC081	MAGNUM 1.5" PVC D.50 MM ADAPTER KIT	20	82	OK	69,56
CC082	MAGNUM 2" STAINLESS STEEL ADAPTER KIT BSPT	20	82	OK	196,88
CC083	MAGNUM 2" PVC D.63 MM ADAPTER KIT	20	82	OK	161,14

Ref	Description	in/out Connection	For autotrol valve
CC080	MAGNUM 1,5" STAINLESS STEEL ADAPTER KIT BSPT	1½"BSPT	Magnum cv 1,5" series
CC081	MAGNUM 1.5" PVC D.50 MM ADAPTER KIT	D.50	Magnum cv 1,5" series
CC082	MAGNUM 2" STAINLESS STEEL ADAPTER KIT BSPT	2" BSPT	Magnum it 2" series
CC083	MAGNUM 2" PVC D.63 MM ADAPTER KIT	D.63	Magnum it 2" series

Box: WxLxH	Box: Q.ty	Box: Weight	Pallet: WxLxH	Pallet: Q.ty	Pallet: Weight



## Autotrol Valves Magnum Accessories



### D.25 NPT 3/4" Pipe Union

- Suitable for brine line connection of the Magnum valves, alone or in coupling with a bonding hose connection (REF. CC086);
- In PVC-U.

Ref	Description	Fam.	Subfam.	Disp. Stock	Price Euro
CC085	UNION D.25 NPT 3/4" PVC-U	20	82	OK	37,20

Box: WxLxH	Box: Q.ty	Box: Weight	Pallet: WxLxH	Pallet: Q.ty	Pallet: Weight



### D.25 Drain Fitting to glue

- Suitable for brine line connection of the Magnum valves, in coupling with D.25 NPT 3/4" pipe union (REF. CC085);
- In PVC-U.

Ref	Description	Fam.	Subfam.	Disp. Stock	Price Euro
CC086	HOSE CONNECTION D.25 PVC-U TO GLUE	20	82	OK	6,04

Box: WxLxH	Box: Q.ty	Box: Weight	Pallet: WxLxH	Pallet: Q.ty	Pallet: Weight



### 3/4" - 3/4" F Elbow Fitting

- Suitable for the Brine Valve CC059 or for air check CC064M;
- In PVC-U.

Ref	Description	Fam.	Subfam.	Disp. Stock	Price Euro
CC066	ELBOW PVC-U 3/4" F TO GLUE - 3/4" F THREADED	20	82	OK	5,63

Box: WxLxH	Box: Q.ty	Box: Weight	Pallet: WxLxH	Pallet: Q.ty	Pallet: Weight

## Valves Accessories



### Blending kit for Autotrol valves

- kit of nut and screw to install on 255 and 268 valves for blending of hard and softened water;
- insert the nut into the blending valve orifice located near the bypass flapper. Insert the screw through the top plate and the nut, and the screw until it touch the bypass flapper ;
- tightening the screw will force the bypass flapper open witch will blend hard water into the softened water supply. Loosening the screw will allow the bypass flapper to close reducing the blending;
- test the water and adjust the screw until the desired hardness level is reached.

Ref	Description	Fam.	Subfam.	Disp. Stock	Price Euro
AV037	BLENDING KIT SCREW FOR 700 SERIES AND 255/400 NEWSTYLE	10	62	OK	14,41
AV185	MIXING VALVE FOR 366-368 VALVE	10	62	OK	15,58

Box: WxLxH	Box: Q.ty	Box: Weight	Pallet: WxLxH	Pallet: Q.ty	Pallet: Weight



## Valves Accessories

### Twist lock upper screens



- in ABS;
- max diameter 60 mm, length 64 mm;
- slots 0,3 mm.

Ref	Description	Fam.	Subfam.	Disp. Stock	Price Euro
AV070	UPPER SCREEN 13/16" BAJONET	10	62	OK	3,61
AV071	UPPER SCREEN 1.05" BAJONETALVES)	10	62	OK	3,65

Box: WxLxH	Box: Q.ty	Box: Weight	Pallet: WxLxH	Pallet: Q.ty	Pallet: Weight

Certificates	Manufacturer	Sectors
DM174-2004		Domestic

### Upper screen



- in ABS;
- max diameter 60 mm, length 64 mm;
- slots 0,3 mm.

Ref	Description	Fam.	Subfam.	Disp. Stock	Price Euro
AV073	UPPER SCREEN 1.05" (FOR PV400 AND PV401)	10	62	OK	3,54

Box: WxLxH	Box: Q.ty	Box: Weight	Pallet: WxLxH	Pallet: Q.ty	Pallet: Weight

Certificates	Manufacturer	Sectors
DM174-2004		Domestic

### Upper screens to glue



- in ABS;
- diameter 88 mm;
- slots 0,3 mm.

Ref	Description	Fam.	Subfam.	Disp. Stock	Price Euro
CC050	UPPER SCREEN D=48,3 MM	20	82	OK	93,72
PV407	UPPER SCREEN FOR 4" ADAPTER 1.1/4" TUBE	50	241	OK	91,24

Ref	Lenght (mm)	For tube (mm)	For autotrol valve
CC050	150	48,3	Magnum
PV407	150	41,8 (1 1/4 ")	Adapter 4"-PV402

Box: WxLxH	Box: Q.ty	Box: Weight	Pallet: WxLxH	Pallet: Q.ty	Pallet: Weight

Certificates	Manufacturer	Sectors
DM174-2004		Domestic, Commercial, Industrial



## Valves Accessories



### Fittings for valves

- Jaco Style elbow fittings for 3/8" tubing;
- material PP.

Ref	Description	Fam.	Subfam.	Disp. Stock	Price Euro
AV150	ELBOW FITTING AIR-CHECK 1/4" FEMALE NPT	10	62	OK	4,05
AV154	ELBOW FITTING 3/8" FEMALE NPT	10	62	OK	4,56

Ref	Description	For autotrol valve
AV150	ELBOW FITTING AIR-CHECK 1/4" FEMALE NPT	255
AV154	ELBOW FITTING 3/8" FEMALE NPT	268-366-368

Certificates	Manufacturer	Sectors
DM174-2004		Domestic



### Fittings for valves

- Jaco Style straight fittings for 3/8" tubing;
- material PP.

Ref	Description	Fam.	Subfam.	Disp. Stock	Price Euro
AV152	STRAIGHT FITTING 1/4" MALE NPT	10	62	OK	2,38
AV153	STRAIGHT FITTING 3/8" MALE NPT	10	62	OK	2,62

Certificates	Manufacturer	Sectors
DM174-2004		Domestic



### Fittings for valves

- Jaco Style elbow fittings for 3/8" tubing;
- material PP.

Ref	Description	Fam.	Subfam.	Disp. Stock	Price Euro
AV151	ELBOW FITTING AIR-CHECK 1/4" MALE NPT	10	62	OK	3,39
AV160	ELBOW FITTING 1/4" FEMALE NPT JC 45-6-4 PO	10	62	OK	3,64
AV159	ELBOW FITTING 3/8" MALE NPT	10	62	OK	3,51

Ref	Description	For Autotrol valve
AV151	ELBOW FITTING AIR-CHECK 1/4" MALE NPT	155
AV160	ELBOW FITTING 1/4" FEMALE NPT JC 45-6-4 PO	
AV159	ELBOW FITTING 3/8" MALE NPT	

Certificates	Manufacturer	Sectors
DM174-2004		Domestic



## Valves Accessories



### Fittings for valves

- Jaco Style bulkhead union for 3/8" tubing;
- material PP.

Ref	Description	Fam.	Subfam.	Disp. Stock	Price Euro
AV156	BULKHEAD UNION 3/8" NPT	10	62	OK	4,97

Certificates	Manufacturer	Sectors
DM174-2004		Domestic



### Fittings for valves

- Jaco Style union elbow;
- material PP

Ref	Description	Fam.	Subfam.	Disp. Stock	Price Euro
AV155	ELBOW FITTING UNION 3/8" NPT	10	62	OK	4,97
AV162	ELBOW FITTING 1/2" F X 1/2" F JC 50-8 PPG	10	62	OK	6,08

Certificates	Manufacturer	Sectors
DM174-2004		Domestic



### Fittings for valves

- Jaco Style union TEE for 3/8" tubing;
- material PP.

Ref	Description	Fam.	Subfam.	Disp. Stock	Price Euro
AV158	UNION TEE 3/8" UNION NPT	10	62	OK	6,55

Certificates	Manufacturer	Sectors
DM174-2004		Domestic



### Straight drain fittings

- suitable for flexible hose 12,7 mm internal diameter;
- material nylon.

Ref	Description	Fam.	Subfam.	Disp. Stock	Price Euro
AV170	STRAIGHT DRAIN FITTING 3/8" M	10	62	OK	2,43
AV171	STRAIGHT DRAIN FITTING 1/2" M	10	62	OK	2,19
AV169	STRAIGHT DRAIN FITTING 1/2" FX16	10	62	OK	2,68

Certificates	Manufacturer	Sectors
		Domestic





### Elbowed drain fittings

- suitable for flexible hose 12,7 mm internal diameter;
- material nylon / polyethylene.

Ref	Description	Fam.	Subfam.	Disp. Stock	Price Euro
AV172	ELBOW DRAIN FITTING 3/8" M	10	62	OK	2,60
AV173	ELBOW DRAIN FITTING 1/2" M	10	62	OK	2,52
AV174	ELBOW DRAIN FITTING 1/2" F	10	62	OK	3,69
AV175	ELBOW DRAIN FITTING 3/4" F	10	62	OK	6,64

Certificates	Manufacturer	Sectors
		Domestic



### Overflow elbows with nut

- material nylon.

Ref	Description	Fam.	Subfam.	Disp. Stock	Price Euro
AV180	OVERFLOW ELBOW 3/8"	10	62	OK	2,95
AV181	OVERFLOW ELBOW 1/2"	10	62	OK	5,89

Ref	Description	For hose int. ø (mm)
AV180	OVERFLOW ELBOW 3/8"	12,7
AV181	OVERFLOW ELBOW 1/2"	15,5

Certificates	Manufacturer	Sectors
		Domestic



## Valves Accessories

### Pvc tubes to glue

- for lower diffusors and lower lateral systems;
- to glue;
- in PVC.

Ref	Description	Fam.	Subfam.	Disp. Stock	Price Euro
AV126	PVC TUBE 3/8" OD (D OUT.=9,5MM - D IN.=7MM +0/-0,1) L=280MM	10	62	OK	0,31
AV083	PVC TUBE 13/16" OD (D OUT.=20,6MM - D IN.=18MM +0/-0,3) L=889MM(35")	10	62	OK	1,30
AV084	PVC TUBE 13/16" OD (D OUT.=20,6MM - D IN.=18MM +0/-0,3) L=1397MM(55")	10	62	OK	2,07
AV087	PVC TUBE 1.05" OD (D OUT.=26,6MM - D IN.=23MM +0/-0,3) L=1829MM(72")	10	62	OK	6,49
AV632	PVC TUBE D=32 MM (D OUT.=32MM - D IN.=28,4MM +0/-0,3) L=2000MM	22	940	OK	10,06
CF012	PVC TUBE D=41,8 MM (D OUT.=42MM - D IN.=36MM +0/-0,3) L=2000MM	20	87	OK	15,86
CC052	PVC TUBE D=48,3 MM (D OUT.=48,35MM - D IN.=42,3MM+0/-0,3) L=2000MM	20	82	OK	18,68
CF050	PVC TUBE D=50 MM (D OUT.=50MM - D IN.=43,96MM +0/-0,3) L=2000MM	22	970	OK	23,04
CF063	PVC TUBE D=63 MM (D OUT.=63MM - D IN.=56,96MM +0/-0,3) L=2000MM	22	970	OK	27,95

Certificates	Manufacturer	Sectors
DM174-2004		Domestic, Commercial, Industrial

### Diffusors with tube

- 1,05" hi-flow lower diffuser;
- PVC tube included;
- slots 0,3 mm.

Ref	Description	Fam.	Subfam.	Disp. Stock	Price Euro
AV116M	PVC TUBE 1.05" OD L=432MM(17") + LOWER DIFFUSER AV097MWG*	10	62	OK	4,01
AV117M	PVC TUBE 1.05" OD L=889MM(35") + LOWER DIFFUSER AV097MWG*	10	62	OK	5,76
AV103M	PVC TUBE 1.05" OD L=1397MM(55") + LOWER DIFFUSER AV097MWG*	10	62	OK	7,89
AV104M	PVC TUBE 1.05" OD L=1829MM(72") + LOWER DIFFUSER AV097MWG*	10	62	OK	9,31

Certificates	Manufacturer	Sectors
DM174-2004		Domestic





## Lower diffusers to glue

- lower diffusers in ABS; max diameter 60 mm; slots 0,3 mm; connection to glue.

Ref	Description	Fam.	Subfam.	Disp. Stock	Price Euro
AV098	LOWER DIFFUSER CONIC (FOR 13/16" OD TUBE)	10	62	OK	3,65
AV098A	LOWER DIFFUSER CONIC (FOR 1.05" OD TUBE)	10	62	OK	3,65
AV097	LOWER DIFFUSER (FOR 1.05" OD TUBE)	10	62	OK	4,95
AV097MWG	MWG LOWER DIFFUSER (FOR 1.05" OD TUBE)	10	62	OK	4,53

Ref	Height (mm)	Flow (lpm) Δp 30 mbar
AV098	70	24
AV098A	80	32
AV097	90 high flow	40
AV097MWG	90 high flow	40

Certificates	Manufacturer	Sectors
DM174-2004		Domestic



## Cylindrical lower diffusers

- cylindrical lower diffuser in ABS, diameter 88 mm; slots 0,3 mm; connection to glue.

Ref	Description	Fam.	Subfam.	Disp. Stock	Price Euro
PV315	CYLINDRICAL LOWER DIFFUSER D. 1,05*	10	62	OK	59,61
CF011	CYLINDRICAL LOWER DIFFUSER L=98MM TO GLUE FOR TUBE D=41,8MM	20	87	OK	50,43
CF014	CYLINDRICAL LOWER DIFFUSER L=98MM TO GLUE FOR TUBE D=48,3MM	20	87	OK	50,43
CC051	CYLINDRICAL LOWER DIFFUSER L=150MM TO GLUE FOR TUBE D=48,3MM	20	82	OK	90,60
V-D1197-09	970 BOTTOM STACK DISTRIBUTOR 50 MM SOLVENT	25	850	OK	98,06

Item	Ref	Length. (mm)	Ø For tube (mm)	For Autotrol valve
1	PV315	72	26,7 (1,05")	PERFORMA
1	CF011	98	41,8 (1 1/4")	180 old model -PV402
1	CF014	98	48,3	180 new model
2	CC051	150	48,3	Magnum
2	V-D1197-09	150	50	-

Certificates	Manufacturer	Sectors
DM174-2004		Commercial, Industrial



## Segmented lower diffusers

- segmented lower diffuser in ABS;
- diameter 66 mm;
- slots 0,3 mm;
- to glue on tube 1,05";
- flow = 50 lpm  $\Delta p$  30 mbar.

Ref	Description	Fam.	Subfam.	Disp. Stock	Price Euro
AV099A	SEGMENTED LOWER DIFFUSER (FOR 1.05" OD TUBE)	10	62	OK	20,65
AV099C	SEGMENTED LOWER DIFFUSER (FOR D.32 MM TUBE)	10	62	OK	18,54

Ref	Length. (mm)	Ø For tube (mm)
AV099A	102	26,7 (1,05")
AV099C	98,5	32

Certificates	Manufacturer	Sectors
DM174-2004		Domestic



## Valves Accessories

### Lower lateral systems for top mounted valves

- For top mounted valves;
- ABS material;
- With 8 laterals (threaded connection) slots 0,3 mm;
- Hub connection to glue.



Ref	Description	Fam.	Subfam.	Disp. Stock	Price Euro
PV316	LOWER THREADED LATERAL DIFFUSER FOR 263-268-278 14"-16"*	10	62	OK	125,07
PV317	LOWER THREADED LATERAL DIFFUSER FOR 263-268-278 18"-21"-24"*	10	62	OK	127,96
PV31632	LOWER LATERAL DIFFUSER FOR TUBE D.32 MM 14"-16"*	10	62	OK	125,07
PV31732	LOWER LATERAL DIFFUSER FOR TUBE D.32 MM 18"-21"-24"*	10	62	OK	127,96
PV318	LOWER THREADED LATERAL DIFFUSER FOR PV402 ADAPTER14"-16"*	20	87	OK	125,11
PV319	LOWER THREADED LATERAL DIFFUSER FOR PV402 ADAPTER18"-21"-24"*	20	87	OK	128,00
PV320	LOWER THREADED LATERAL DIFFUSER FOR MAGNUM 14"-16"*	20	82	OK	125,11
PV321	LOWER THREADED LATERAL DIFFUSER FOR MAGNUM 18"-21"-24"*	20	82	OK	128,00
PV322	LOWER THREADED LATERAL DIFFUSER FOR MAGNUM 30"*	20	82	OK	135,74
PV323	LOWER THREADED LATERAL DIFFUSER FOR MAGNUM 36"*	20	82	OK	139,00

Ref	Description	Ø Useful fo vessel (pollici)	Ø Hub connect for tube (mm)
PV316	LOWER THREADED LATERAL DIFFUSER FOR 263-268-278 14"-16"*	14"-16"	26,7 (1,05")
PV317	LOWER THREADED LATERAL DIFFUSER FOR 263-268-278 18"-21"-24"*	18"-21"-24"	26,7 (1,05")
PV31632	LOWER LATERAL DIFFUSER FOR TUBE D.32 MM 14"-16"*	14"-16"	32
PV31732	LOWER LATERAL DIFFUSER FOR TUBE D.32 MM 18"-21"-24"*	18"-21"-24"	32
PV318	LOWER THREADED LATERAL DIFFUSER FOR PV402 ADAPTER14"-16"*	14"-16"	41,8 (1¼")
PV319	LOWER THREADED LATERAL DIFFUSER FOR PV402 ADAPTER18"-21"-24"*	18"-21"-24"	41,8 (1¼")
PV320	LOWER THREADED LATERAL DIFFUSER FOR MAGNUM 14"-16"*	14"-16"	48,3 (1,90")
PV321	LOWER THREADED LATERAL DIFFUSER FOR MAGNUM 18"-21"-24"*	18"-21"-24"	48,3 (1,90")
PV322	LOWER THREADED LATERAL DIFFUSER FOR MAGNUM 30"*	30"	48,3 (1,90")
PV323	LOWER THREADED LATERAL DIFFUSER FOR MAGNUM 36"*	36"	48,3 (1,90")

Box: WxLxH	Box: Q.ty	Box: Weight	Pallet: WxLxH	Pallet: Q.ty	Pallet: Weight

Certificates	Manufacturer	Sectors
DM174-2004		Commercial, Industrial



## Lower lateral systems for top mounted valves

- For top mounted valves;
- ABS material;
- With 6 twist lock laterals, slots 0,25 mm;
- Hub connection to glue.

Ref	Description	Fam.	Subfam.	Disp. Stock	Price Euro
PV316B	TWIST LOCK LOWER LATERAL DIFFUSER FOR 263-268-27814-16"	10	62	OK	36,85
PV317B	TWIST LOCK LOWER LATERAL DIFFUSER FOR 263-268-27818-21-24"	10	62	OK	38,79
PV318B	TWIST LOCK LOWER LATERAL DIFFUSER FOR PV402 14-16	10	62	OK	36,85
PV319B	TWIST LOCK LOWER LATERAL DIFFUSER FOR PV402 18-21-24"	10	62	OK	36,54
PV320B	TWIST LOCK LOWER LATERAL DIFFUSER FOR MAGNUM 14-16"	10	62	OK	35,59
PV321B	TWIST LOCK LOWER LATERAL DIFFUSER FOR MAGNUM 18-21-24"	10	62	OK	34,83
PV322B	TWIST LOCK LOWER LATERAL DIFFUSER FOR MAGNUM 30"	10	62	OK	64,02
PV323B	TWIST LOCK LOWER LATERAL DIFFUSER FOR MAGNUM 36"	10	62	OK	70,12
PV320B50	TWIST LOCK LOWER LATERAL DIFFUSER FOR D.50 TUBE 14-16"	10	62	OK	35,59
PV321B50	TWIST LOCK LOWER LATERAL DIFFUSER FOR D.50 TUBE 18-21-24"	10	62	OK	34,83
PV322B50	TWIST LOCK LOWER LATERAL DIFFUSER FOR D.50 TUBE 30"	10	82	OK	64,02
PV323B50	TWIST LOCK LOWER LATERAL DIFFUSER FOR D.50 TUBE 36"	10	82	OK	70,12

Ref	Ø Useful for vessels (inch)	Ø Hub connect for tube (mm)	Ø D (mm)	For Autotrol valve
PV316B	14"-16"	26,7 (1,05")	260	PERFORMA
PV317B	18"-21"-24"	26,7 (1,05")	373	PERFORMA
PV318B	14"-16"	41,8 (1¼")	260	PV402
PV319B	18"-21"-24"	41,8 (1¼")	373	PV402
PV320B	14"-16"	48,3 (1,90")	260	MAGNUM
PV321B	18"-21"-24"	48,3 (1,90")	373	MAGNUM
PV322B	30"	48,3 (1,90")	563	MAGNUM
PV323B	36"	48,3 (1,90")	705	MAGNUM
PV320B50	14"-16"	50 (2")	260	
PV321B50	18"-21"-24"	50 (2")	373	
PV322B50	30"	50 (2")	563	
PV323B50	36"	50 (2")	705	

Box: WxLxH	Box: Q.ty	Box: Weight	Pallet: WxLxH	Pallet: Q.ty	Pallet: Weight

Certificates	Manufacturer	Sectors
		Commercial, Industrial



## Valves Accessories

### Diffusor for brine draw

- connection for rigid or flexible tube 3/8".



Ref	Description	Fam.	Subfam.	Disp. Stock	Price Euro
AV118	DIFFUSER FOR BRINE TUBE 3/8" OD	10	62	OK	4,76

Box: WxLxH	Box: Q.ty	Box: Weight	Pallet: WxLxH	Pallet: Q.ty	Pallet: Weight

Certificates	Manufacturer	Sectors
		Domestic

### Mesh type screen with tube

- mesh type screen for brine complete with 3/8" PVC tube length 42".



Ref	Description	Fam.	Subfam.	Disp. Stock	Price Euro
AV090M	PVC TUBE 3/8" OD L=1067MM(42") + MESH TYPE SCREENAV075	10	62	OK	6,44

Box: WxLxH	Box: Q.ty	Box: Weight	Pallet: WxLxH	Pallet: Q.ty	Pallet: Weight

Certificates	Manufacturer	Sectors
		Domestic

### Mesh type screen for brine

- For 3/8" tube to glue.



Ref	Description	Fam.	Subfam.	Disp. Stock	Price Euro
AV075	MESH TYPE SCREEN FOR BRINE (FOR 3/8" OD TUBE)	10	62	OK	4,43

Box: WxLxH	Box: Q.ty	Box: Weight	Pallet: WxLxH	Pallet: Q.ty	Pallet: Weight

Certificates	Manufacturer	Sectors
		Domestic



## Valves Accessories

### Polyethylene flexible tubes

- flexible tubes 1/4" or 3/8" (= 9,54 mm) diameter;
- availability of different colors;
- hanks of 100 m (only AV140 is 30 m).



Ref	Description	Fam.	Subfam.	Disp. Stock	Price Euro
AV140	POLYETILENE 3/8" CLEAR ROLL 30 MT	10	62	OK	43,25
AV140A	POLYETILENE 3/8" CLEAR ROLL 100 MT	10	62	OK	140,12
DH252	POLYETILENE 3/8" BLACK ROLL 100 MT	30	175	OK	132,65
DH253	POLYETILENE 3/8" WHITE ROLL 100 MT	30	175	OK	132,65
DH254	POLYETILENE 3/8" RED ROLL 100 MT	30	175	OK	132,65
DH255	POLYETILENE 3/8" BLUE ROLL 100 MT	30	175	OK	132,65
DH231	POLYETILENE 1/4" CLEAR ROLL 100 MT	30	175	OK	57,89
DH232	POLYETILENE 1/4" BLACK ROLL 100 MT	30	175	OK	57,89
DH233	POLYETILENE 1/4" WHITE ROLL 100 MT	30	175	OK	57,89
DH234	POLYETILENE 1/4" RED ROLL 100 MT	30	175	OK	57,89
DH235	POLYETILENE 1/4" BLUE ROLL 100 MT	30	175	OK	57,89

Box: WxLxH	Box: Q.ty	Box: Weight	Pallet: WxLxH	Pallet: Q.ty	Pallet: Weight

Certificates	Manufacturer	Sectors
DM174-2004		Domestic



### J-tube air-check with tube

- J-tube with air-check, complete with PVC tube.

Ref.	Description	Fam.	Subfam.	Disp. Stock	Price Euro
AV093MWG	PVC TUBE 3/8" OD L=1067MM(42")+AIR-CHECK AV108MWG	10	62	OK	8,58
CC064M	PVC TUBE 3/4" OD L=1200MM + AIR-CHECK CC063*	10	62	OK	79,87

Ref.	Description	Tube diameter (inch)	Lenght (mm)
AV093MWG	PVC TUBE 3/8" OD L=1067MM(42")+AIR-CHECK AV108MWG	3/8"	1060
CC064M	PVC TUBE 3/4" OD L=1200MM + AIR-CHECK CC063*	3/4"	1200

Box: WxLxH	Box: Q.ty	Box: Weight	Pallet: WxLxH	Pallet: Q.ty	Pallet: Weight

Certificates	Manufacturer	Sectors
		Domestic, Commercial, Industrial





## Brine Valves Accessories

### Model 464

- model 464 Standard version (for no timed refill controls) and High Flow (for timed refill controls);
- connection for 3/8" tubing;
- length tube 42" (1060 mm);
- length float rod 600 mm;
- brine draw rate 3,8 l/min @ 152 mm Hg vacuum;
- max operating pressure 8,5 bar 40°C;
- brine well diameter 90 mm min.

Ref	Description	Fam.	Subfam.	Disp. Stock	Price Euro
AV096	464 STANDARD BRINE VALVE KIT + PVC TUBE 3/8" OD L*=1067MM(42")*	10	62	OK	49,60
AV125	464 HIGH FLOW BRINE VALVE KIT + PVC TUBE 3/8" ODL=1067MM(42")*	10	62	OK	48,82

Ref	Description	Refill flow rate (l/min) @ 3,5 bar
AV096	464 STANDARD BRINE VALVE KIT + PVC TUBE 3/8" OD L*=1067MM(42")*	1,3
AV125	464 HIGH FLOW BRINE VALVE KIT + PVC TUBE 3/8" ODL=1067MM(42")*	3,8

Box: WxLxH	Box: Q.ty	Box: Weight	Pallet: WxLxH	Pallet: Q.ty	Pallet: Weight

Certificates	Manufacturer	Sectors
		Domestic



### Model 484

- complete with 3/4" tube length 1200 mm;
- length float rod 915 mm;
- refill flow rate 15 l/min @ 3,5 bar;
- brine draw rate 38 l/min @ 66 mm Hg vacuum;
- max operating pressure 8,5 bar @ 40°C;
- brine well diameter 130 mm.

Ref	Description	Fam.	Subfam.	Disp. Stock	Price Euro
CC059	PVC TUBE 3/4" OD L=1200MM + 484 BRINE VALVE*	20	82	OK	182,94

Box: WxLxH	Box: Q.ty	Box: Weight	Pallet: WxLxH	Pallet: Q.ty	Pallet: Weight

Certificates	Manufacturer	Sectors
		Commercial, Industrial



### Model 2310

- length float rod 774 mm;
- refill flow rate 4,5 l/min;
- brine draw rate 2,1 l/min;
- max operating pressure 8,6 bar @ 40°C;
- brine well diameter 100 mm;
- without air check.

Ref	Description	Fam.	Subfam.	Disp. Stock	Price Euro
FVA060067-03	SBV 2310 - BRINE VALVE WITHOUT AIR CHECK	23	590	OK	33,98

Box: WxLxH	Box: Q.ty	Box: Weight	Pallet: WxLxH	Pallet: Q.ty	Pallet: Weight

Certificates	Manufacturer	Sectors





## Brine Valves Accessories

### Model RF09959

- complete with 3/8" tube length 855 mm;
- max refill flow rate 7 l/min @ 4 bar;
- max brine draw rate 2 l/min;
- max operating pressure 6 bar;
- brine well diameter 100 mm.

Ref	Description	Fam.	Subfam.	Disp. Stock	Price Euro
RF09959	FLOATING VALVE 35"	22	940	OK	29,95

Box: WxLxH	Box: Q.ty	Box: Weight	Pallet: WxLxH	Pallet: Q.ty	Pallet: Weight

Certificates	Manufacturer	Sectors
	Runxin	Commercial, Industrial



### Model 434

- complete with 3/8" tube length 693 mm;
- max refill flow rate 2,3 l/min @ 4 bar;
- max brine draw rate 2 l/min;
- max operating pressure 6 bar;
- brine well diameter 90 mm.

Ref.	Description	Fam.	Subfam.	Disp. Stock	Price Euro
AV123	434N BRINE VALVE H=733 MM WITH TUBE 3/8" OD	10	62	OK	25,51

Box: WxLxH	Box: Q.ty	Box: Weight	Pallet: WxLxH	Pallet: Q.ty	Pallet: Weight

Certificates	Manufacturer	Sectors
		Domestic, Commercial





### Heads for tank

- PVC heads for tank complete with NBR o-ring;
- max operating pressure 8 bar; - max operating temperature 50°C;
- REF. PV400 and REF. PV401 are to use with upper screen REF. AV073 and with lower diffusers on catalogue;
- REF. PV402 is to use with upper screen REF. PV407 and with lower diffuser REF. CF011.

Ref	Description	Fam.	Subfam.	Disp. Stock	Price Euro
PV400	ADAPTER 2.1/2" IN/OUT 3/4" GAS F W/PLUG	50	240	OK	55,00
PV401	ADAPTER 2.1/2" IN/OUT 3/4" GAS F	50	240	OK	67,34
PV402	ADAPTER 4" IN/OUT 1.1/4"GAS F W/PLUG	50	240	OK	132,85

Ref	Option plug	Rise tube diameter	Max flow rate suggested	Fit threaded tanks
PV400	1/2"on outlet	1,05" (26,6 mm)	2,5 m3/h	2 1/2"8NPSM
PV401	no plug	1,05" (26,6 mm)	2,5 m3/h	2 1/2"8NPSM
PV402	1/2"on outlet	41,8 mm	6,0 m3/h	4"-8UN



- PP molded heads for tank with connection threaded 2 1/2" - 8NPSM;
- complete with NBR o-ring; - without plug;
- max operating pressure 8 bar;
- max operating temperature 45°C; it is to use with upper screen REF. AV070 and with lower diffuser REF. AV098.

Ref	Description	Fam.	Subfam.	Disp. Stock	Price Euro
PV409	ADAPTER 2 1/2" MOULDED IN/OUT 3/4" NPT	50	240	OK	31,04

Ref	Riser tube diameter	Max suggested flow rate
PV409	13/16"	2,5 m3/h



- ABS molded heads for tank with connection threaded 2 1/2" - 8NPSM; -Complete with NBR o-ring (ref. PV418);
- 3-way threaded connections are 3/4" GAS;
- Max operating pressure 8 bar; - Max operating temperature 45°C;
- Riser tube 13/16"; - Optional adapter for 1,05" tube.

Ref.	Description	Fam.	Subfam.	Disp. Stock	Price Euro
PV415	3-WAY MANUAL VALVE	50	240	OK	15,28
PV416	PLUG 3/4" WITH O-RING FOR PV415 3-WAY MANUAL VALV	50	240	OK	1,91
PV417	ADAPTER FOR PV415 3-WAY MANUAL VALVE	50	240	OK	0,93
PV418	O-RING T.4xD.65 IN NBR70 FOR VALVE PV415	50	240	OK	1,52



### Conductivity Meter Resilight

- positive, reliable and economical method of monitoring water quality via conductivity;
- bright green/red visual output easy to read;
- Green: conductivity below the threshold value;
- Red: conductivity above the threshold value;
- set point conductivity adjustable from 1,5 to 200 microsiemens;
- probe with threaded 3/8" connection, probe constant K=5;
- with reduction in PVC M/F 1/2" x 3/8";
- complete with transformer 230/5V - 50 Hz and 1,5 m cable;
- for installation on piping at system outlet, or directly on the heads REF. PV400 and REF. PV402.
- ATTENTION: or greatest accuracy it is required that the water be flowing on probe.

Ref	Description	Fam.	Subfam.	Disp. Stock	Price Euro
PV425	MWG RESILIGHT 1.5 - 200 MICROSIEMENS/CM W/CONDUCTIVITY PROBE	50	242	OK	124,01

Box: WxLxH	Box: Q.ty	Box: Weight	Pallet: WxLxH	Pallet: Q.ty	Pallet: Weight

Certificates	Manufacturer	Sectors
CE	<b>MWG</b>	Industrial



## Valves Accessories

### Test kit for hardness



- Kit for hardness testing with indicator and titrant complete with test tube;
- definition 0,5 °F;
- number of tests 400°F;
- available No 6 blister of indicator 15 ml (REF. AV203) and No 6 blister of titrant 29 ml (REF. AV204).

Codici	Description	Fam.	Subfam.	Disp. Stock	Price Euro
AV200	HARDNESS KIT TESTING INDICATOR + TITRANT	10	66	OK	24,08
AV203	6 BLISTERS PACK INDICATOR 15 ML	10	66	OK	51,91
AV204	6 BLISTERS PACK TITRANT 29ML	10	66	OK	45,25
AV200P	MULTIPACK 10 PCS - 20 ML GRADUATE TEST TUBE	10	66	OK	29,23

Box: WxLxH	Box: Q.ty	Box: Weight	Pallet: WxLxH	Pallet: Q.ty	Pallet: Weight

Certificates	Manufacturer	Sectors
		Domestic



- Kit for hardness testing with single reagent packaged in blister, with test tube;
- available for definition with French (REF. AV202) or German (REF. AV207) degrees.

Ref	Description	Fam.	Subfam.	Disp. Stock	Price Euro
AV202	HARDNESS KIT TESTING SINGLE REAGENT 2 BLISTER	10	66	OK	14,72
AV207	HARDNESS KIT TESTING SINGLE REAGENT 2 BLISTER GERMMAN	10	66	OK	14,72

Ref	Description	Definition	Number of tests
AV202	HARDNESS KIT TESTING SINGLE REAGENT 2 BLISTER	1°F	700
AV207	HARDNESS KIT TESTING SINGLE REAGENT 2 BLISTER GERMMAN	1°D	600

Box: WxLxH	Box: Q.ty	Box: Weight	Pallet: WxLxH	Pallet: Q.ty	Pallet: Weight

Certificates	Manufacturer	Sectors
		Domestic



- Kit for hardness testing with single reagent packaged in blister, with test tube;
- available for definition with French (REF. AV201) or German (REF. AV206) degrees.

Ref	Description	Fam.	Subfam.	Disp. Stock	Price Euro
AV201	HARDNESS KIT TESTING SINGLE REAGENT 1 BLISTERFRENCH	10	66	OK	9,76
AV206	HARDNESS KIT TESTING SINGLE REAGENT 1 BLISTERGERMAN	10	66	OK	9,76

Ref	Description	Definition	Number of tests
AV201	HARDNESS KIT TESTING SINGLE REAGENT 1 BLISTERFRENCH	1°F	350
AV206	HARDNESS KIT TESTING SINGLE REAGENT 1 BLISTERGERMAN	1°D	300

Box: WxLxH	Box: Q.ty	Box: Weight	Pallet: WxLxH	Pallet: Q.ty	Pallet: Weight

Certificates	Manufacturer	Sectors
		Domestic



## Valves Accessories

### Total chlorine kit

- Color comparison kit for Chlorine reaction;
- Ideal for water with low content of organics, like drink water.



Ref	Description	Fam.	Subfam.	Disp. Stock	Price Euro
AV205	CHLORINE TESTING KIT O-TOL 0,1-1,5 PPM P/N 1011	10	66	OK	23,01

Ref	Range (ppm Cl <sub>2</sub> )	Test quantity
AV205	0,10-0,25-0,50-0,75-1,0-2,0	75

Box: WxLxH	Box: Q.ty	Box: Weight	Pallet: WxLxH	Pallet: Q.ty	Pallet: Weight

### Chlorine DPD kit

- Color comparison kit for Chlorine reaction;
- This kit measures the free chlorine and the total chlorine. The difference is given by the combined chlorine (for water with high total organic carbon);
- IPT kits are ideal for few analyzes with discrete precision.



Ref	Description	Fam.	Subfam.	Disp. Stock	Price Euro
AV208	IPT DPD CHLORINE KIT	10	66	OK	31,15

Ref	Sample	Range (ppm Cl <sub>2</sub> )	Test quantity
AV208	5 ml	0,1-0,2-0,3-0,4-0,5-0,75-1,0-1,5	150

Box: WxLxH	Box: Q.ty	Box: Weight	Pallet: WxLxH	Pallet: Q.ty	Pallet: Weight

### Ammonia kit

- Color comparison kit for Ammonia reaction;
- IPT kits are ideal for few analyzes with discrete precision. For higher precision, we suggest the HYDROCHECK.



Ref	Description	Fam.	Subfam.	Disp. Stock	Price Euro
AV209	IPT AMMONIA KIT	10	66	NO	36,33
AV221	HYDROCHECK INDOPHENOL AMMONIA COLORTTEST KIT	10	66	NO	174,97

Ref	Range (ppm NH <sub>3</sub> )	Test quantity
AV209	0,25-0,50-0,75-1,0- ,0-8,0	200
AV221	0,0-0,10-0,25-0,5-1,0-2,0-4,0	180

Box: WxLxH	Box: Q.ty	Box: Weight	Pallet: WxLxH	Pallet: Q.ty	Pallet: Weight

Certificates	Manufacturer	Sectors
		Domestic



## Valves Accessories



### Iron kit

- Color comparison kit for Iron reaction;
- IPT kits are ideal for few analyzes with discrete precision. For higher precision, we suggest the HYDROCHECK HIGH.

Ref	Description	Fam.	Subfam.	Disp. Stock	Price Euro
AV210	IPT IRON KIT	10	66	OK	49,36

Ref	Sample	Range (ppm Fe)	Test quantity
AV210	5 ml	0,25-0,50-1,0-2,0-5,0-7,5-10-15	100
AV210	20 ml	0,05-0,10-0,15-0,20	100

Box: WxLxH	Box: Q.ty	Box: Weight	Pallet: WxLxH	Pallet: Q.ty	Pallet: Weight

Certificates	Manufacturer	Sectors
		Domestic



### Manganese kit

- Color comparison kit for Manganese reaction;
- IPT kits are ideal for few analyzes with discrete precision. For higher precision, we suggest the HYDROCHECK.

Ref	Description	Fam.	Subfam.	Disp. Stock	Price Euro
AV211	IPT MANGANESE KIT	10	66	NO	73,11
AV223	HYDROCHECK MANGANESE COLORTTEST KIT	10	66	NO	209,97

Ref	Sample	Range (ppm Mn)	Test quantity
AV211	5 ml	0,1-0,2-0,25-0,5-0,75-1,0-1,25-1,5	70
AV223	I	0,1-0,2-0,25-0,5-0,75-1,0-1,25-1,5	130
AV223	II	0,025-0,050-0,100	130

Box: WxLxH	Box: Q.ty	Box: Weight	Pallet: WxLxH	Pallet: Q.ty	Pallet: Weight

## Valves Accessories

### Nitrate Kit

- Color comparison kit for Nitrate reaction;
- IPT kits are ideal for few analyzes with discrete precision.



Ref	Description	Fam.	Subfam.	Disp. Stock	Price Euro
AV212	IPT NITRATES KIT	10	66	NO	59,20

Ref	Range (ppm NO3)	Test quantity
AV212	10-20-40-60-80-100-120-140	50

Box: WxLxH	Box: Q.ty	Box: Weight	Pallet: WxLxH	Pallet: Q.ty	Pallet: Weight

Certificates	Manufacturer	Sectors
		Domestic



## Valves Accessories

### Ph kit

- Color comparison kit for pH;
- IPT kits are ideal for few analyzes with discrete precision. For higher precision, we suggest pH meters.



Ref	Description	Fam.	Subfam.	Disp. Stock	Price Euro
AV213	IPT PH 1-11 KIT	10	66	OK	21,31

Ref	Range (pH)	Test quantity
AV213	1-2-3-4-5-5,5-6-6,5-7-7,5-8-8,5-9-9,5-10-11	200

Box: WxLxH	Box: Q.ty	Box: Weight	Pallet: WxLxH	Pallet: Q.ty	Pallet: Weight

Certificates	Manufacturer	Sectors
		Domestic

### Sulphate kit

- Color comparison kit for Sulphate by turbidimetric method.



Ref	Description	Fam.	Subfam.	Disp. Stock	Price Euro
AV214	IPT SULPHATE KIT	10	66	OK	48,25

Ref	Range (p pm SO4)	Test quantity
AV214	50-75-100-150-200-250-300-350	70

Box: WxLxH	Box: Q.ty	Box: Weight	Pallet: WxLxH	Pallet: Q.ty	Pallet: Weight

Certificates	Manufacturer	Sectors
		Domestic

### Phosphate kit

- This kit only allows the determination of phosphate ions (orthophosphates);
- Phosphorus compounds can be present in water as orthophosphates, polyphosphates or combined with organic molecules, both in solution and in suspension;
- To determine total phosphorus, you must use the Hydrocheck Total Phosphorus kit;
- IPT kits are ideal when it is necessary to perform a few analyses, with reasonable precision. For more analyses and greater precision, we recommend Hydrocheck.



Ref.	Description	Fam.	Subfam.	Disp. Stock	Price Euro
AV227	IPT PHOSPHATES KIT	10	66	NO	39,28

Ref.	Range (ppm PO4)	Test quantity
AV227	1-2-5-10-15-20	100

Box: WxLxH	Box: Q.ty	Box: Weight	Pallet: WxLxH	Pallet: Q.ty	Pallet: Weight



## Valves Accessories



### Copper kit

- Color comparison kit for Copper;
- IPT kits are ideal for few analyzes with discrete precision. For higher precision, we suggest HYDROCHECK.

Ref.	Description	Fam.	Subfam.	Disp. Stock	Price Euro
AV216	IPT COPPER KIT	10	66	NO	52,08

Ref.	Range (ppm Cu)	Test quantity
AV216	0,1 - 0,2 - 0,4 - 0,6 - 0,8 - 1,0 - 2,0 - 4,0	50

Box: WxLxH	Box: Q.ty	Box: Weight	Pallet: WxLxH	Pallet: Q.ty	Pallet: Weight

Certificates	Manufacturer	Sectors
		Domestic



### Boiler Water Alkalinity Kit

- Methyl orange and phenolphthalein alkalinity analysis kit in equivalents per million (epm), complete with test tube;
- Titration with hydrochloric acid;
- Recommended temperature for analysis is between 20 and 30°C;
- IPT kits are ideal for few analyzes with discrete precision. For higher precision, we suggest the HYDROCHECK.

Ref.	Description	Fam.	Subfam.	Disp. Stock	Price Euro
AV217	IPT BOILER WATER ALCALINITY	10	66	NO	36,60

Ref.	Description	Definition	Number of tests
AV217	IPT BOILER WATER ALCALINITY	0,5 epm	625 epm

Box: WxLxH	Box: Q.ty	Box: Weight	Pallet: WxLxH	Pallet: Q.ty	Pallet: Weight

Certificates	Manufacturer	Sectors
		Domestic





## F65 Runxin Residential Down Flow Valves



- Electronic programmable valve, suitable for automatic and residential water softening systems;
- Valve body in NSF listed Noryl plastic material;
- Operating system based on two high design ceramic discs;
- Regeneration DF;
- Operating flow rate  $K_v = 1,08$ ;
- Backwash flow rate  $K_v = 0,50$ ;
- Resin volume range =  $5 \div 40$  liters;
- Available in chronometric or volumetric versions;
- With White Injector mounted (Pink, Yellow and Blue Injectors included), European transformer 12/230V - 50Hz, upper screen, n.1 Base Seal O-ring, n.1 Drain Hose Connector, n.1 Brine Tube Hose Connector, n.1 Tube Bushing and n.1 Brine Line Flow Control);
- Others injectors (6800 Series)and accessories not included, to order separately;
- If you use a by-pass, you must install a floating valve (our ref. RF09959).

Ref	Description	Fam.	Subfam.	Disp. Stock	Price Euro
RF65B1	VALV. AUT. SOFT. F65B1 (63502) CHRON. 3/4" DF	22	930	OK	192,06

Characteristics:	
Tank size	6" $\div$ 10"
Connections In/Out	Threaded 3/4" female (male optional included)
Pressure vessel connection	Threaded 2 1/2" - 8 NPSM male
Drain line connection	Threaded 1/2" male
Brine line connection	Threaded 3/8" BSPT male
Distributor tube O. D. diameter	1,05" (= 27 mm)
Distributor tube length above pressure vessel	0 $\pm$ 2 mm
Weight (valve + controller)	1,66 kg
Operating pressure	1,5 $\div$ 6,0 bar
Water Temperature	5°C $\div$ 50°C

Box: WxLxH	Box: Q.ty	Box: Weight	Pallet: WxLxH	Pallet: Q.ty	Pallet: Weight

Certificates	Manufacturer	Sectors
DM174-2004 CE	Runxin	Domestic

### Specific Accessories

Ref	Description	Fam.	Subfam.	Disp. Stock	Price Euro
RF70B	BYPASS FOR F65 AND F69 VALVES - 41102	22	940	OK	30,25
RF70BL	BYPASS WITH TURBINE FOR F65 AND F69 VALVES - 41102L	22	940	OK	38,11
RF09959	FLOATING VALVE 35"	22	940	OK	29,95

### Spare Parts

Ref	Description	Fam.	Subfam.	Disp. Stock	Price Euro
RF09967	EUROPEAN POWER ADAPTER FOR RUNXIN RES. VALVE	22	940	OK	25,61
RF99999	RUNXIN UPPER SCREEN 1.05" BAJONET	22	940	OK	1,23



## F79B-LCD Runxin Residential Volumetric Valve



- Electronic volumetric programmable valve multilanguage, suitable for automatic and residential water softening systems;
- Valve body in NSF listed Noryl plastic material;
- Operating system based on two high design ceramic discs;
- Regeneration DF or UF;
- Operating flow rate  $K_v = 1,14$ ; Backwash flow rate  $K_v = 0,5$ ;
- Resin volume range =  $5 \div 40$  liters;
- With Pink Injector mounted (Yellow, Blue and White Injectors included), European transformer 12/230V - 50Hz, upper screen, n.1 Base Seal O-ring, n.1 Drain Hose Connector, n.1 Brine Tube Hose Connector,
- n.1 Tube Bushing and n.1 red Brine Line Flow Control), Meter and Bypass Adjusting Bolt;
- Others injectors (6800 Series) and accessories not included, to order separately.

Ref	Description	Fam.	Subfam.	Disp. Stock	Price Euro
RF79B-LCD	VALV. AUT. SOFT. F79B-LCD (82602B) VOL. 3/4" DF/U	22	935	OK	254,70

Characteristics:	
Tank size	6" ÷ 10"
Connections In/Out	Threaded 3/4" male
Pressure vessel connection	Threaded 2 1/2" - 8 NPSM male
Drain line connection	Threaded 1/2" male
Brine line connection	Threaded 3/8" BSPT male
Distributor tube O. D. diameter	1,05" (= 27 mm)
Distributor tube length above pressure vessel	0 ± 2 mm
Weight (valve + controller)	2,25 kg
Operating pressure	1,5 ÷ 6,0 bar
Water Temperature	5°C ÷ 50°C

Box: WxLxH	Box: Q.ty	Box: Weight	Pallet: WxLxH	Pallet: Q.ty	Pallet: Weight
51x63x24	4	11	105x130x255	144	41,5

Certificates	Manufacturer	Sectors
DM174-2004 CE	Runxin	Domestic

### Specific accessories

Ref	Description	Fam.	Subfam.	Disp. Stock	Price Euro
RF70D	BYPASS FOR F79 VALVE - 41202	22	940	OK	26,79

### Spare parts

Ref	Description	Fam.	Subfam.	Disp. Stock	Price Euro
RF09962	O-R CONNECTOR 3/4" FOR FLOW METER FOR RF79B-LCD VALVE	22	940	OK	0,91
RF09963	CONNECTOR 3/4" FLOW METER FOR RF79B-LCD VALVE W/OO-RING - 8458026	22	940	OK	8,93
RF09964	ELECTRONIC CONTROL BOARD FOR RF79B-LCD VALVE	22	940	OK	57,76
RF09965	ELECTRONIC POSITIONING BOARD FOR RF79B-LCD VALVE	22	940	OK	34,31
RF09966	ELECTRONIC BOARD FOR DISPLAY RF79B-LCD VALVE	22	940	OK	80,21
RF09967	EUROPEAN POWER ADAPTER FOR RUNXIN RES. VALVE	22	940	OK	25,61
RF09968	TURBINE FLOW METER FOR RF79B-LCD	22	940	OK	20,55
RF09969	SEMI-TRANSPARENT COVER FOR RF79B-LCD VALVE	22	940	OK	9,80
RF09970	PIPE CONNECTION 3/4" FOR RF79B-LCD VALVE	22	940	OK	17,63
RFP9999	RUNXIN UPPER SCREEN 1.05" BAJONET	22	940	OK	1,23



## F69 Runxin Residential Up Flow Softening Valves



- Electronic programmable valve, suitable for residential water softening systems;
- Valve body in NSF listed Noryl plastic material;
- Operating system based on two high design ceramic discs;
- Regeneration UF;
- Operating flow rate  $K_v = 1,08$ ;
- Backwash flow rate  $K_v = 0,5$ ;
- Resin volume range =  $5 \div 40$  liters;
- Available in chronometric or volumetric versions;
- F69C Valve is with Brown Injector mounted;
- F69P Valves are with Pink Injector mounted (Yellow, Blue and White Injectors included);
- European transformer 12/230V - 50Hz, upper screen, n.1 Base
- Seal O-ring, n.1 Drain Hose Connector, n.1 Brine Tube Hose
- Connector, n.1 Tube Bushing and n.1 Brine Line Flow Control);
- Others injectors (6800 Series) and accessories not included, to order separately.

Ref	Description	Fam.	Subfam.	Disp. Stock	Price Euro
RF69C	VALV. SEMIAUT. SOFT. F69C (70002) CHRON. 3/4" UF	22	935	OK	114,95
RF69P1Y	VALV. AUT. SOFT. F69P1Y (73502PY) CHRON. 3/4" UF	22	930	OK	139,86
RF69P3Y	VALV. AUT. SOFT. F69P3Y (74602PY) VOL. 3/4" UF	22	935	OK	165,90

Characteristics:	
Tank size	6" ÷ 10"
Connections In/Out	Threaded 3/4" female (male optional included)
Pressure vessel connection	Threaded 2 1/2" - 8 NPSM male
Drain line connection	Threaded 1/2" male
Brine line connection	Threaded 3/8" BSPT male
Distributor tube O. D. diameter	1,05" (= 27 mm)
Distributor tube length above pressure vessel	0 ± 2 mm
Weight (valve + controller)	2,04 kg
Operating pressure	1,5 ÷ 6,0 bar
Water Temperature	5°C ÷ 50°C

Box: WxLxH	Box: Q.ty	Box: Weight	Pallet: WxLxH	Pallet: Q.ty	Pallet: Weight

Certificates	Manufacturer	Sectors
DM174-2004 CE	Runxin	Domestic

### Specific accessories

Ref	Description	Fam.	Subfam.	Disp. Stock	Price Euro
RF70B	BYPASS FOR F65 AND F69 VALVES - 41102	22	940	OK	30,25
RF70BL	BYPASS WITH TURBINE FOR F65 AND F69 VALVES - 41102L	22	940	OK	38,11
RF09960	USB PROGRAMMER FOR RF69C VALVES	22	940	OK	79,61

### Spare parts

Ref	Description	Fam.	Subfam.	Disp. Stock	Price Euro
RF09967	EUROPEAN POWER ADAPTER FOR RUNXIN RES. VALVE	22	940	OK	25,61
RF99999	RUNXIN UPPER SCREEN 1.05" BAJONET	22	940	OK	1,23



## F73A Runxin Residential Up Flow Softening Valves on a Duplex Tanks



- Electronic volumetric programmable valve, suitable for automatic and residential water softening systems;
- Valve body in NSF listed Noryl plastic material;
- Operating system based on two high design ceramic discs;
- Regeneration DF or UF;
- Operating flow rate Kv = 2,33;
- Backwash flow rate Kv = 0,88;
- Resin volume range = 45 ÷ 100 liters;
- With Red Injector mounted (Black Injector included), European transformer 12/230V -50Hz, n.2 upper screen, n.1 Base Seal O-ring, n.1 Drain Hose Connector, n.1 Brine Tube Hose Connector, n.1 Tube Bushing, n.1 Brine Line Flow Control, Meter and Bypass Adjusting Bolt;
- Others injectors (6300 Series) and accessories not included, to order separately.

Ref	Description	Fam.	Subfam.	Disp. Stock	Price Euro
RF73A	VALV. AUT. SOFT. F73A (17603) VOL. 1" DF/UF - ONEON DUPLEX TANKS	22	935	OK	470,37

Characteristics:	
Tank size	10" ÷ 14"
Connections In/Out	Threaded 1" male
Pressure vessel connection	Threaded 2 1/2" - 8 NPSM male
Drain line connection	Threaded 3/4" male
Brine line connection	Threaded 3/8" BSPT male
Distributor tube O. D. diameter	1,05" (= 27 mm)
Distributor tube length above pressure vessel	0 ± 2 mm
Weight (valve + controller)	4,75 kg
Operating pressure	1,5 ÷ 6,0 bar
Water Temperature	5°C ÷ 50°C

Box: WxLxH	Box: Q.ty	Box: Weight	Pallet: WxLxH	Pallet: Q.ty	Pallet: Weight

Certificates	Manufacturer	Sectors
DM174-2004 CE	Runxin	Domestic

### Specific accessories

Ref	Description	Fam.	Subfam.	Disp. Stock	Price Euro
RF70CL	BYPASS WITH TURBINE FOR F63 F68 F73 F82 VALVES -2974015	22	940	OK	37,79

### Spare parts

Ref	Description	Fam.	Subfam.	Disp. Stock	Price Euro
RF09967	EUROPEAN POWER ADAPTER FOR RUNXIN RES. VALVE	22	940	OK	25,61
RFP9999	RUNXIN UPPER SCREEN 1.05" BAJONET	22	940	OK	1,23



## F63 Runxin Residential Down Flow Softening Valves



- Electronic programmable valve, suitable for automatic and residential water softening systems;
- Valve body in NSF listed Noryl plastic material;
- Operating system based on two high design ceramic discs;
- Regeneration DF; Resin volume range = 40 ÷ 150 liters;
- Operating flow rate Kv = 3,13; Backwash flow rate Kv = 1,25;
- Available in chronometric or volumetric versions;
- With Green Injector mounted (Purple and White Injectors included), European transformer 12/230V - 50Hz, upper screen, n.1 Base Seal O-ring, n.1 Drain Hose Connector, n.1 Brine Tube Hose Connector, n.1 Tube Bushing and n.1 Brine Line Flow Control);
- Others injectors (6800 Series) and accessories not included, to order separately.

Ref	Description	Fam.	Subfam.	Disp. Stock	Price Euro
RF63C3	VALV. AUT. SOFT.F63C3 (63604) VOL. 1" DF	22	935	OK	276,16
RF63D3	VALV. AUT. SOFT. F63D3 (62604H) VOL. 1" DF	22	935	OK	302,29

Characteristics	
Tank size	10" ÷ 18"
Connections In/Out	Threaded 1" female (male optional included)
Pressure vessel connection	Threaded 2 1/2" - 8 NPSM male
Drain line connection	Threaded 1/2" male
Brine line connection	Threaded 3/8" BSPT male
Distributor tube O. D. diameter	1,05" (= 27 mm)
Distributor tube length above pressure vessel	0 ± 2 mm
Weight (valve + controller)	2,34 kg
Operating pressure	1,5 ÷ 6,0 bar
Water Temperature	5°C ÷ 50°C

Box: WxLxH	Box: Q.ty	Box: Weight	Pallet: WxLxH	Pallet: Q.ty	Pallet: Weight

Certificates	Manufacturer	Sectors
DM174-2004 CE	Runxin	Domestic

### Specific Accessories

Ref.	Description	Fam.	Subfam.	Disp. Stock	Price Euro
RF70A	BYPASS FOR F63 AND F68 VALVES - 2974001	22	940	OK	37,69
RF70AL	BYPASS WITH TURBINE FOR F63 AND F68 VALVES - 2974013	22	940	OK	50,23

### Spare Parts

Ref.	Description	Fam.	Subfam.	Disp. Stock	Price Euro
RF09967	EUROPEAN POWER ADAPTER FOR RUNXIN RES. VALVE	22	940	OK	25,61
RFP9999	RUNXIN UPPER SCREEN 1.05" BAJONET	22	940	OK	1,23



## F82B-LCD Runxin Residential Volumetric Valves



- Electronic volumetric programmable valve multilanguage, suitable for automatic and residential water softening systems;
- Valve body in NSF listed Noryl plastic material;
- Operating system based on two high design ceramic discs;
- Regeneration DF or UF;
- Operating flow rate Kv = 3,13;
- Backwash flow rate Kv = 1,25;
- Resin volume range = 40 ÷ 150 liters;
- With White Injector mounted (Red, Black and Orange Injectors included), European transformer 12/230V - 50Hz, upper screen, n.1 Base Seal O-ring, n.1 Drain Hose Connector, n.1 Brine Tube Hose Connector, n.1 Tube Bushing and n.1 Brine Line Flow Control), Meter and Bypass Adjusting Bolt;
- Others injectors (6800 Series) and accessories not included, to order separately

Ref	Description	Fam.	Subfam.	Disp. Stock	Price Euro
RF82B-LCD	VALV. AUT. SOFT. F82B-LCD (82604B) VOL. 1" DF/UF	22	935	OK	333,82

Characteristics:	
Tank size	10" ÷ 18"
Connections In/Out	Threaded 1" male
Pressure vessel connection	Threaded 2 ½" - 8 NPSM male
Drain line connection	Threaded ½" male
Brine line connection	Threaded ¾" BSPT male
Distributor tube O. D. diameter	1,05" (= 27 mm)
Distributor tube length above pressure vessel	0 ± 2 mm
Weight (valve + controller)	2,72 kg
Operating pressure	1,5 ÷ 6,0 bar
Water Temperature	5°C ÷ 50°C

Box: WxLxH	Box: Q.ty	Box: Weight	Pallet: WxLxH	Pallet: Q.ty	Pallet: Weight

Certificates	Manufacturer	Sectors
DM174-2004 CE	Runxin	Domestic

### Accessories

Ref.	Description	Fam.	Subfam.	Disp. Stock	Price Euro
RF70CL	BYPASS WITH TURBINE FOR F63 F68 F73 F82 VALVES -2974015	22	940	OK	37,79

### Spare parts

Ref	Description	Fam.	Subfam.	Disp. Stock	Price Euro
RF09967	EUROPEAN POWER ADAPTER FOR RUNXIN RES. VALVE	22	940	OK	25,61
RF99999	RUNXIN UPPER SCREEN 1.05" BAJONET	22	940	OK	1,23



## F68 Runxin Residential Up Flow Valves



- Electronic programmable valve, suitable for automatic and residential water softening systems;
- Valve body in NSF listed Noryl plastic material;
- Operating system based on two high design ceramic discs;
- Regeneration UF;
- Operating flow rate  $K_v = 3,13$ ;
- Backwash flow rate  $K_v = 1,25$ ;
- Resin volume range =  $18 \div 150$  liters;
- Available in volumetric version;
- With Yellow Injector mounted (Red, Black and Orange Injectors included), European transformer 12/230V - 50Hz, upper screen, n.1 Base Seal O-ring, n.1 Drain Hose Connector, n.1 Brine Tube Hose Connector, n.1 Tube Bushing and n.1 Brine Line Flow Control);
- Others injectors (Series 6800) and accessories not included, to order separately.

Ref	Description	Fam.	Subfam.	Disp. Stock	Price Euro
RF68C3	VALV. AUT. SOFT. F68C3 (73604) VOL. 1" UF	22	935	OK	316,46
RF68P3Y	VALV. AUT. SOFT. F68P3Y VOL. 1" UF	22	935	OK	229,25

Characteristics	
Tank size	10" ÷ 18"
Connections In/Out	Threaded 1" male
Pressure vessel connection	Threaded 2 1/2" - 8 NPSM male
Drain line connection	Threaded 1/2" male
Brine line connection	Threaded 3/8" BSPT male
Distributor tube O. D. diameter	1,05" (= 27 mm)
Distributor tube length above pressure vessel	0 ± 2 mm
Weight (valve + controller)	2,90 kg
Operating pressure	1,5 ÷ 6,0 bar
Water Temperature	5°C ÷ 50°C

Box: WxLxH	Box: Q.ty	Box: Weight	Pallet: WxLxH	Pallet: Q.ty	Pallet: Weight

Certificates	Manufacturer	Sectors
DM174-2004 CE	Runxin	Domestic

### Specific Accessories

Ref	Description	Fam.	Subfam.	Disp. Stock	Price Euro
RF70AL	BYPASS WITH TURBINE FOR F63 AND F68 VALVES - 2974013	22	940	OK	50,23
RF70CL	BYPASS WITH TURBINE FOR F63 F68 F73 F82 VALVES -2974015	22	940	OK	37,79

### Spare Parts

Ref	Description	Fam.	Subfam.	Disp. Stock	Price Euro
RF09967	EUROPEAN POWER ADAPTER FOR RUNXIN RES. VALVE	22	940	OK	25,61
RFP9999	RUNXIN UPPER SCREEN 1.05" BAJONET	22	940	OK	1,23



## F92A-LED Runxin Residential Up Flow Valve



- Electronic programmable valve, suitable for automatic and residential water softening systems;
- Valve body in NSF listed Noryl plastic material;
- Operating system based on two high design ceramic discs;
- Regeneration UF;
- Operating flow rate Kv = 4,77;
- Backwash flow rate Kv = 1,35;
- Resin volume range = 120 ÷ 300 liters;
- Available in volumetric version;
- With Red Injector mounted (Purple, Green, Yellow and Orange Injectors included), European transformer 12/230V - 50Hz, upper screen, n.1 Base Seal O-ring, n.1 Drain Hose Connector, n.1 Brine Tube Hose Connector, n.1 Tube Bushing and n.1 Brine Line Flow Control).

Ref	Description	Fam.	Subfam.	Disp. Stock	Price Euro
RF92A-LED	VALV. AUT. SOFT. F92A-LED (73605) VOL. 1" UF	22	935	OK	371,03

Characteristics	
Tank size	16" ÷ 24"
Connections In/Out	Threaded 1" male
Pressure vessel connection	Threaded 2 ½" - 8 UN male
Drain line connection	Threaded ½" male
Brine line connection	Threaded ⅜" BSPT male
Distributor tube O. D. diameter	32 mm
Distributor tube length above pressure vessel	0 ± 2 mm
Weight (valve + controller)	2,72 kg
Operating pressure	1,5 ÷ 6,0 bar
Water Temperature	5°C ÷ 50°C

Box: WxLxH	Box: Q.ty	Box: Weight	Pallet: WxLxH	Pallet: Q.ty	Pallet: Weight
	4				

Certificates	Manufacturer	Sectors
DM174-2004 CE	Runxin	Domestic

### Spare parts

Codici	Description	Fam.	Subfam.	Disp. Stock	Price Euro
RF09967	EUROPEAN POWER ADAPTER FOR RUNXIN RES. VALVE	22	940	OK	25,61
RF09949	UPPER SCREEN 32 MM FOR RUNXIN VALVES - 6939003	22	940	OK	1,71





## F67 Runxin Valves for Filtration



- Electronic volumetric programmable valve, suitable for automatic and residential water softening systems;
- Valve body in NSF listed Noryl plastic material;
- Operating system based on two high design ceramic discs;
- Operating flow rate  $K_v = 3,19$ ; Backwash flow rate  $K_v = 3,1$ ;
- With european transformer 12/230V - 50Hz, upper screen, n.1 Base Seal O-ring, n.1 Drain Hose Connector.

Ref	Description	Fam.	Subfam.	Disp. Stock	Price Euro
RF67C1	VALV. AUT. FILTER F67C1 (53504) 1"	22	938	OK	271,84

Characteristics:	
Tank size	6" ÷ 14"
Connections In/Out	Threaded 1" female
Pressure vessel connection	Threaded 2 1/2" - 8 NPSM male
Drain line connection	Threaded 1" female
Distributor tube O. D. diameter	1.05"
Distributor tube length above pressure vessel	0 ± 2 mm
Weight (valve + controller)	2,25 kg
Operating pressure	1,5 ÷ 6,0 bar
Water Temperature	5°C ÷ 50°C

Box: WxLxH	Box: Q.ty	Box: Weight	Pallet: WxLxH	Pallet: Q.ty	Pallet: Weight
	4				

Certificates	Manufacturer	Sectors
DM174-2004 CE	Runxin	Domestic



## Runxin Residential Valves Accessories

- Injectors and Accessories not included in the Runxin Residential Valves, to order separately.

### Specific accessories

Ref	Description	Fam.	Subfam.	Disp. Stock	Price Euro
RF06801	INJECTOR KIT BROWN FOR RUNXIN VALVES - 6801	22	940	OK	2,09
RF06802	INJECTOR KIT PINK FOR RUNXIN VALVES - 6802	22	940	OK	2,09
RF06803	INJECTOR KIT YELLOW FOR RUNXIN VALVES - 6803	22	940	OK	2,09
RF06804	INJECTOR KIT BLUE FOR RUNXIN VALVES - 6804	22	940	OK	2,09
RF06805	INJECTOR KIT WHITE FOR RUNXIN VALVES - 6805	22	940	OK	2,09
RF06806	INJECTOR KIT BLACK FOR RUNXIN VALVES - 6806	22	940	OK	2,09
RF06807	INJECTOR KIT PURPLE FOR RUNXIN VALVES - 6807	22	940	OK	2,09
RF06808	INJECTOR KIT RED FOR RUNXIN VALVES - 6808	22	940	OK	2,09
RF06809	INJECTOR KIT GREEN FOR RUNXIN VALVES - 6809	22	940	OK	2,09
RF06810	INJECTOR KIT ORANGE FOR RUNXIN VALVES - 6810	22	940	OK	2,09
RF09995	SERVICE WRENCH FOR RUNXIN VALVES - 8484003	22	940	OK	9,38
RF09998	SPACER 2.5" M/F W/ O-RING AND WRENCH	22	940	OK	12,80
RF09997	SPANNER FOR SPACER RF09998	22	940	OK	12,73
RF09971	ENGLISH POWER ADAPTER FOR RF79B-LCD VALVE	22	940	OK	26,86
RF43010	BRINE WELL DIAM. 60 MM H 396 MM W/FLOATING VALVE	45	230	OK	44,46
RF43011	BRINE WELL DIAM. 60 MM H 308 MM W/FLOATING VALVE	45	230	OK	43,24
RF09922	INTERLOCK WIRE FOR RUNXIN VALVES F63(68)C - F63(65-68)P	22	940	OK	5,51
RFP07	434 STANDARD BRINE VALVE	22	940	OK	56,92
RFP08	454 STANDARD BRINE VALVE	22	940	OK	188,59



## F137 Runxin Industrial Softening Valves on Duplex Tanks



- Electronic volumetric programmable valve, suitable for automatic and industrial water twin alternating softening systems (1 valve body for 2 tanks);
- Valve body in NSF listed Noryl plastic material;
- Operating system based on high design ceramic discs;
- Regeneration DF;
- Operating flow rate Kv = 6,27 (with Master valve in service position and Slave valve in stand-by position);
- Operating flow rate Kv = 4,85 (with Master valve in stand-by position and Slave valve in service position);
- Resin volume range = 120 ÷ 300 liters;
- With yellow injector mounted (pink injector included), European transformer 12/230V -50Hz, n.2 upper screens, n.2 Base Seal O-rings, n.1 mounted brine line flow control (+1 extra), n. 1 meter;
- DLFC is not supplied because the injector manages backwash flow rate restriction.

Ref	Description	Fam.	Subfam.	Disp. Stock	Price Euro
RF137	VALV. AUT. SOFT. F137 (17606T) VOL. 1" DF - ONE ON	27	965	OK	729,49

Characteristics:	
Tank size	16" ÷ 24"
Connections In/Out	Threaded 1" male
Pressure vessel connection	Threaded 4" - 8 UN male
Drain line connection	Threaded 3/4" male
Brine line connection	Threaded 1/2" male
Distributor tube O. D. diameter	32 mm
Distributor tube length above pressure vessel	0 ± 4 mm
Weight (valve + controller)	12 kg
Operating pressure	2,0 ÷ 6,0 bar
Water Temperature	5°C ÷ 50°C

Box: WxLxH	Box: Q.ty	Box: Weight	Pallet: WxLxH	Pallet: Q.ty	Pallet: Weight

Certificates	Manufacturer	Sectors
DM174-2004 , CE	Runxin	Industrial



## F74 Runxin Industrial Down Flow Valve

- Electronic programmable valve, suitable for automatic and industrial water softening systems;
- Valve body in NSF listed Noryl plastic material;
- Operating system based on two high design ceramic discs;
- Regeneration DF;
- Operating flow rate Kv = 6,50;
- Backwash flow rate Kv = 3,57;
- Resin volume range = 120 ÷ 450 liters;
- With Pink Injector mounted (Brown and Blue Injectors included), European transformer 12/230V - 50Hz, upper screen,
- n.1 Base Seal O-ring,
- n.1 Drain Hose Connector,
- n.1 Brine Tube Hose Connector,
- n.1 Tube Bushing and n.1 Brine Line Flow Control);
- Others injectors (series 7400) and accessories not included, to order separately.

Ref	Description	Fam.	Subfam.	Disp. Stock	Price Euro
RF74A3	VALV. AUT. SOFT. F74A3 (63610) VOL. 2" DF	27	965	OK	582,84

Characteristics	
Tank size	21" ÷ 30"
Connections In/Out	Threaded 2" male
Pressure vessel connection	Threaded 4" - 8 UN male
Drain line connection	Threaded 1" male
Brine line connection	Threaded ½" BSPT male
Distributor tube O. D. diameter	50 mm
Distributor tube length above pressure vessel	0 ± 2 mm
Weight (valve + controller)	5,88 kg
Operating pressure	2,0 ÷ 6,0 bar
Water Temperature	5°C ÷ 50°C

Box: WxLxH	Box: Q.ty	Box: Weight	Pallet: WxLxH	Pallet: Q.ty	Pallet: Weight
	2				

Certificates	Manufacturer	Sectors
DM174-2004 CE	Runxin	Industrial

### Spare parts

Ref	Description	Fam.	Subfam.	Disp. Stock	Price Euro
RF09974	EUROPEAN POWER ADAPTER FOR RUNXIN IND.VALVES	27	970	OK	41,38
RF09950	UPPER SCREEN 50 MM FOR RUNXIN VALVES	27	970	OK	32,45



## F99 Runxin Industrial Down Flow Valves



- Electronic programmable valve, suitable for automatic and industrial water softening systems;
- Valve body in NSF listed Noryl plastic material;
- Operating system based on two high design ceramic discs;
- Regeneration DF;
- Operating flow rate Kv = 14,4;
- Backwash flow rate Kv = 5,72;
- Resin volume range = 450 ÷ 800 liters;
- With Yellow Injector mounted (Pink Injectors included), European transformer 12/230V - 50Hz, upper screen,
- n.1 Base Seal O-ring,
- n.1 Drain Hose Connector,
- n.1 Brine Tube Hose Connector,
- n.1 Tube Bushing and n.1 Brine Line Flow Control);
- Others injectors (7700 Series) and accessories not included, to order separately.

Ref	Description	Fam.	Subfam.	Disp. Stock	Price Euro
RF99A3	VALV. AUT. SOFT. F99A3 (63615) VOL. 2" DF	27	965	OK	984,16

Characteristics	
Tank size	30" ÷ 42"
Connections In/Out	Threaded 2" male
Pressure vessel connection	Threaded 4" - 8 UN male
Drain line connection	Threaded 1,5" male
Brine line connection	Threaded 3/4" BSPT male
Distributor tube O. D. diameter	50 mm
Distributor tube length above pressure vessel	0 ± 2 mm
Weight (valve + controller)	11,50 kg
Operating pressure	2,0 ÷ 6,0 bar
Water Temperature	5°C ÷ 50°C

Box: WxLxH	Box: Q.ty	Box: Weight	Pallet: WxLxH	Pallet: Q.ty	Pallet: Weight
	1				

Certificates	Manufacturer	Sectors
DM174-2004 CE	Runxin	Industrial

### Spare parts

Ref	Description	Fam.	Subfam.	Disp. Stock	Price Euro
RF09974	EUROPEAN POWER ADAPTER FOR RUNXIN IND.VALVES	27	970	OK	41,38
RF09950	UPPER SCREEN 50 MM FOR RUNXIN VALVES	27	970	OK	32,45



## F111 Runxin Industrial Down Flow Softening Valves



- Electronic programmable valve, suitable for automatic and industrial water softening systems;
- Valve body in NSF listed Noryl plastic material;
- Operating system based on two high design ceramic discs;
- Regeneration DF;
- Operating flow rate Kv = 16,71;
- Backwash flow rate Kv = 18,97;
- Resin volume range = 450 ÷ 800 liters;
- Available in chronometric and volumetric versions;
- With Blue Injector mounted (Yellow and White Injectors included), European transformer 12/230V - 50Hz, upper screen, n.1 Base Seal O-ring, n.1 Drain Hose Connector, n.1 Brine Tube Hose Connector, n.1 Tube Bushing and n.1 Brine Line Flow Control);
- Others injectors (7700 Series) and accessories not included, to order separately.

Ref.	Description	Fam.	Subfam.	Disp. Stock	Price Euro
RF111A1	VALV. AUT. SOFT. F111A1 (63520) CHRON. 2" DF	27	960	OK	1266,19
RF111A3	VALV. AUT. SOFT. F111A3 (63620T) VOL. 2" DF	27	965	OK	1318,45

Characteristics	
Tank size	30" ÷ 48"
Connections In/Out	Threaded 2" male
Pressure vessel connection	Threaded 4" - 8 UN male
Drain line connection	Threaded 1,5" male
Brine line connection	Threaded 3/4" BSPT male
Distributor tube O. D. diameter	63 mm
Distributor tube length above pressure vessel	0 ± 2 mm
Weight (valve + controller)	11,50 kg
Operating pressure	2,0 ÷ 6,0 bar
Water Temperature	5°C ÷ 50°C

Box: WxLxH	Box: Q.ty	Box: Weight	Pallet: WxLxH	Pallet: Q.ty	Pallet: Weight

Certificates	Manufacturer	Sectors
DM174-2004 CE	Runxin	Industrial

### Spare parts

Ref	Description	Fam.	Subfam.	Disp. Stock	Price Euro
RF09974	EUROPEAN POWER ADAPTER FOR RUNXIN IND.VALVES	27	970	OK	41,38
RF09951	UPPER SCREEN 63 MM FOR RUNXIN VALVES	27	970	OK	42,44

- **Specific accessories** - Injectors and Accessories not included in the Runxin Industrial Valves, to order separately.

Ref.	Description	Fam.	Subfam.	Disp. Stock	Price Euro
RF07401	INJECTOR BROWN + DLFC FOR RUNXIN VALVES - 7401	27	970	OK	13,52
RF07402	INJECTOR PINK + DLFC FOR RUNXIN VALVES - 7402	27	970	OK	13,52
RF07403	INJECTOR YELLOW + DLFC FOR RUNXIN VALVES - 7403	27	970	OK	13,52
RF07404	INJECTOR BLUE + DLFC FOR RUNXIN VALVES - 7404	27	970	OK	13,52
RF07701	INJECTOR BROWN FOR RUNXIN VALVES - 7701	27	970	OK	55,78
RF07702	INJECTOR PINK FOR RUNXIN VALVES - 7702	27	970	OK	55,78
RF07703	INJECTOR YELLOW FOR RUNXIN VALVES - 7703	27	970	OK	55,78
RF07704	INJECTOR BLUE FOR RUNXIN VALVES - 7704	27	970	OK	55,78
RF07705	INJECTOR WHITE FOR RUNXIN VALVES - 7705	27	970	OK	55,78
RF09995	SERVICE WRENCH FOR RUNXIN VALVES - 8484003	22	940	OK	9,38



## F111 Runxin Industrial Down Flow Filter Valves



- Electronic programmable valve, suitable for automatic and industrial water filtration systems;
- Valve body in NSF listed Noryl plastic material;
- Operating system based on two high design ceramic discs;
- 3 Cycle Filtration- Filtering-Backwash-Fast Rinse;
- Operating flow rate Kv = 16,71;
- Backwash flow rate Kv = 18,97;
- Available in chronometric versions;
- European transformer 12/230V - 50Hz, upper screen, n.1 Base Seal O-ring, n.1 Drain Hose Connector included.

Ref.	Description	Fam.	Subfam.	Disp. Stock	Price Euro
RF111B1	VALV. AUT. FILTER F111B1 (53520) CRON. 2"	27	968	OK	1259,22

Characteristics	
Tank size	30" ÷ 36"
Connections In/Out	Threaded 2" male
Pressure vessel connection	Threaded 4" - 8 UN male
Drain line connection	Threaded 2" male
Distributor tube O. D. diameter	63 mm
Distributor tube length above pressure vessel	0 ± 2 mm
Weight (valve + controller)	11,50 kg
Operating pressure	2,0 ÷ 6,0 bar
Water Temperature	5°C ÷ 50°C

Box: WxLxH	Box: Q.ty	Box: Weight	Pallet: WxLxH	Pallet: Q.ty	Pallet: Weight

Certificates	Manufacturer	Sectors
DM174-2004 , CE	Runxin	Industrial

### Spare parts

Ref	Description	Fam.	Subfam.	Disp. Stock	Price Euro
RF09974	EUROPEAN POWER ADAPTER FOR RUNXIN IND.VALVES	27	970	OK	41,38
RF09951	UPPER SCREEN 63 MM FOR RUNXIN VALVES	27	970	OK	42,44



## F112 Runxin Industrial Down Flow Softening Valves



- Electronic programmable side-mounted valve, suitable for automatic and industrial water softening systems;
- Valve body in NSF listed Noryl plastic material;
- Operating system based on two high design ceramic discs;
- Regeneration DF;
- Operating flow rate Kv = 36,91;
- Backwash flow rate Kv = 18,92;
- Resin volume range = 1500 ÷ 2500 liters;
- Available in volumetric version;
- With yellow7800 series injector mounted (blue Injector included), European transformer 12/230V - 50Hz, upper screen, n.1 Base Seal O-ring
- n.1 Brine Line Flow Control.

Ref.	Description	Fam.	Subfam.	Disp. Stock	Price Euro
RF112A3	VALV. AUT. SOFT. F112A3 (63640B) VOL. 2" DF	27	965	OK	2770,09

Characteristics	
Tank size	>63"
Connections In/Out	DN65
Drain line connection	DN65
Brine line connection	Threaded ¾" BSPT male
Top / bottom connections	DN80
Weight (valve + controller)	39 kg
Operating pressure	2,0 ÷ 6,0 bar
Water Temperature	5°C ÷ 50°C

Box: WxLxH	Box: Q.ty	Box: Weight	Pallet: WxLxH	Pallet: Q.ty	Pallet: Weight

Certificates	Manufacturer	Sectors
DM174-2004 , CE	Runxin	Industrial





## F75 Runxin Industrial Filter Valve



- Electronic valve, suitable for automatic and industrial water filtering systems;
- Valve body in NSF listed Noryl plastic material;
- Operating system based on two high design ceramic discs;
- Operating flow rate  $K_v = 8,7$ ;
- Backwash flow rate  $K_v = 8,0$ ;
- With European transformer 12/230V - 50Hz, upper screen,
- n.1 Base Seal O-ring, n.1 Drain Hose Connector.

Ref	Description	Fam.	Subfam.	Disp. Stock	Price Euro
RF75A	VALV. AUT. FILTER F75A 2"	27	968	OK	501,83

Characteristics	
Tank size	16" ÷ 24"
Connections In/Out	Threaded 2" male
Pressure vessel connection	Threaded 4" - 8 UN male
Drain line connection	Threaded 2" male
Distributor tube O. D. diameter	50 mm
Distributor tube length above pressure vessel	0 ± 2 mm
Weight (valve + controller)	4,4 kg
Operating pressure	2,0 ÷ 6,0 bar
Water Temperature	5°C ÷ 50°C

Box: WxLxH	Box: Q.ty	Box: Weight	Pallet: WxLxH	Pallet: Q.ty	Pallet: Weight

Certificates	Manufacturer	Sectors
DM174-2004 CE	Runxin	Industrial

### Spare parts

Ref	Description	Fam.	Subfam.	Disp. Stock	Price Euro
RF09974	EUROPEAN POWER ADAPTER FOR RUNXIN IND.VALVES	27	970	OK	41,38
RF09950	UPPER SCREEN 50 MM FOR RUNXIN VALVES	27	970	OK	32,45



## Runxin Manual Softening Valves



- Multi-way valves having five functions: service, backwash, brine, fast rinse and refill;
- Fits threaded tanks 2,5" - 8NPSM;
- IN/OUT connections 3/4" BSPP female;
- Drain line connection 1/2" BSPP female;
- Brine line connection 3/8" BSPT male;
- Riser tube diameter 1,05" (26,7 mm);
- Max suggested flow 1,5 m3/h (only valve) @ Δp = 1,75 bar;
- Operating flow rate Kv = 1,09;
- Backwash flow rate Kv = 0,55;
- Max operating pressure 6 bar @ 20°C;
- Max operating temperature 50°C;
- Upper screen included.

Ref	Description	Fam.	Subfam.	Disp. Stock	Price Euro
RF64B	VALV. MANUAL SOFT. F64B (61202) 3/4" DF	22	950	OK	29,86
RF64BC	VALV. MANUAL SOFT. F64BC (61202C) 3/4" DF - SIDECONTROL	22	950	OK	33,47

Ref	Description	Mounting
RF64B	VALV. MANUAL SOFT. F64B (61202) 3/4" DF	Vertical
RF64BC	VALV. MANUAL SOFT. F64BC (61202C) 3/4" DF - SIDECONTROL	Side

Box: WxLxH	Box: Q.ty	Box: Weight	Pallet: WxLxH	Pallet: Q.ty	Pallet: Weight

Certificates	Manufacturer	Sectors
	Runxin	Domestic



## Runxin Manual Filter Valves



### Max 4 m<sup>3</sup>/h Multi-way Manual Valve

- Multi-way valve having three functions: filtration, backwash, rinse;
- Fits threaded tanks 2 ½" - 8NPSM;
- IN/OUT connections and drain 1" BSPP female;
- Riser tube diameter 1,05" (26,7 mm);
- Max suggested flow 4 m<sup>3</sup>/h (only valve);
- Max operating pressure 6 bar @ 20°C;
- Max operating temperature 50°C;
- Upper screen included
- **ATTENTION:** this multi-way valve is prohibited to change working position with pressure; make sure to shut down pump or close feed valve before rotating the handle to other working position.

Ref	Description	Fam.	Subfam.	Disp. Stock	Price Euro
PV410	MULTI-WAY MANUAL VALVE 2.5" IN/OUT AND DRAIN W/UPPER SCREEN 1.05"	50	240	OK	33,52

Box: WxLxH	Box: Q.ty	Box: Weight	Pallet: WxLxH	Pallet: Q.ty	Pallet: Weight

Certificates	Manufacturer	Sectors
	Runxin	Industrial



### Max 10 m<sup>3</sup>/h Multi-way Manual Valves

- Multi-way valve having three functions: filtration, backwash, rinse;
- Fits threaded tanks 4" - 8UN;
- IN/OUT connections 2" BSPP female;
- Drain line connection 1,5" BSPP female;
- Riser tube diameter 50 mm;
- Max suggested flow 10 m<sup>3</sup>/h (only valve) @ Δp = 1,75 bar;
- Operating flow rate Kv = 8,2;
- Backwash flow rate Kv = 6,1;
- Max operating pressure 6 bar @ 20°C;
- Max operating temperature 50°C;
- Upper screen included.
- **ATTENTION:** this multi-way valve is prohibited to change working position with pressure; make sure to shut down pump or close feed valve before rotating the handle to other working position.

Ref	Description	Fam.	Subfam.	Disp. Stock	Price Euro
RF56D1	VALV. MANUAL FILTER F56D1 (51110) 2" F - METAL HANDLE	22	980	OK	135,88
RF56D2	VALV. MANUAL FILTER F56D2 (51210) 2" F - PLASTIC HANDLE	22	980	OK	109,05

Box: WxLxH	Box: Q.ty	Box: Weight	Pallet: WxLxH	Pallet: Q.ty	Pallet: Weight

Certificates	Manufacturer	Sectors
	Runxin	Industrial



## Fleck Residential Valves Series 4600



- Made in European Union (Italy)
- The 4600 control valve is suitable for residential softening applications, fully adjustable, for efficient and reliable water treatment.
- Designed with a double backwash for less loss of hardness.
- Valve body in brass.
- It is a single piston valve, with a protective cover against atmospheric agents resistant to water, corrosion and UV rays.
- Down Flow regeneration
- Operating Flow Rate = 4.5 m<sup>3</sup>/h (20 gpm)
- Backwash Flow Rate 1.6 m<sup>3</sup>/h (7 gpm)
- Regeneration:
  - Timeclock: 7 or 12 days
  - Meter: delayed or immediate
  - Electronics
- Complete with European Transformer 230-24 V / 50/60 Hz 60 VA and 1.05" twist lock upper screen.
- OPTIONS: Mechanical controllers for simplex; Hot Water - only mechanical 65 ° C meter / 82 ° C timeclock

Ref.	Description	Fam.	Subfam.	Disp. Stock	Price Euro
FV460MC-601	FLECK VALV. 4600/1600 12 DAYS 1-1,5-0,25 HW	23	505	OK	1027,75
FV460MR-601	FLECK VALV. 4600/1600 3/4" ECOBYPASS 8 M3 1-1,5-0,25 HW	23	505	NO	1434,68
FV460MR-602	FLECK VALV. 4600/1600 3/4" ECOBYPASS 8 M3 0-1,2-0,25 LWU HW	23	505	NO	N.A.
FV460MR-604	FLECK VALV. 4600/1600 3/4" METER 8 M3 0-1,2-0,25LWU	23	505	NO	N.A.
FV460MR-605	FLECK VALV. 4600/1600 3/4" METER 8 M3 1-1,5-0,25LWU	23	505	NO	N.A.
FV460SC-600	FLECK VALV. 4600/1600 SXT 0-1,2-0,25 HW	23	505	OK	1053,18

Characteristics	
Tank size (recommended):	Softening System = 6" ÷ 12"
In/Out Connections	Threaded 3/4" or 1" BSP
Pressure vessel connection	Threaded 2,5" - 8 UN male
Drain line connection	Threaded 1/2" NPT or BSP
Brine line connection (1600)	Threaded 3/8"
Distributor tube O. D. diameter	1,05" (=27 mm)
Operating pressure	1,4 ÷ 8,5 bar
Water Temperature	1 ÷ 40 °C
Protection class	IP22
Height (from top of tank)	180 mm

Box: WxLxH	Box: Q.ty	Box: Weight	Pallet: WxLxH	Pallet: Q.ty	Pallet: Weight

Certificates	Manufacturer	Sectors
DM174-2004 CE	Pentair	Domestic

### Accessories

Ref	Description	Fam.	Subfam.	Disp. Stock	Price Euro
FVA13398-10	1" BSP F BRASS YOKE FOR 5800, 9000 AND 9100 VALVE	23	590	OK	38,65
FVA18706-10	1" BSP M PLASTIC YOKE FOR 5800, 9000 AND 9100 VALVES	23	590	OK	19,34
FVA24689	3/4" BSP M BRASS YOKE FOR 5800, 9000 AND 9100 VALVES	23	590	NO	56,22
FVA18706-12	3/4" BSP M PLASTIC YOKE FOR 5800, 9000 AND 9100 VALVES	23	590	OK	21,09



## Signature Fleck Residential Valves Kit Series 5600



- Made in European Union (Italy).
- Each 48 piece kit includes 48 pieces of Fleck Valves 5600;
- Each 12 piece kit includes 12 pieces of Fleck Valves 5600;
- The 5600 is high performance control valve, ideal for residential softening applications with multiple options (also filter). The valve body in fiber-reinforced material is UV rays resistant and no subject to corrosion. The valve is easily programmable and very intuitive. Modular design simplifies the disassembly and the maintenance.
- The 5600 valve has a mechanical timer: the 5600SXT valve is an electronic valve: they share the same valve body (5600), but it is different for the cover and the electronic components.
- Down Flow regeneration.
- Valve body in Noryl plastic material = polyphenylene oxide (PPO).
- Operating Flow Rate = 4.5 m<sup>3</sup>/h (20 gpm)
- Backwash Flow rate = 1.6 m<sup>3</sup>/h (7 gpm)
- Regeneration:
  - Chronometric: 7 or 12 days
  - Volumetric: delayed or immediate
  - Electronics
- Complete with European Transformer 230-24 V / 50/60 Hz 60 VA and 1.05" twist lock upper screen.
- OPTIONS: SXT electronics.
- Each 48 piece kit includes 48 pieces of each following items: Bypass, Air Check 500, SBV 2310, Distributor Assy 1" HF, Yoke;
- Each 12 piece kit includes 12 pieces of each following items: Bypass, Air Check 500, SBV 2310, Distributor Assy 1" HF, Yoke.

NOTE: these products are not available in stock.

Ref.	Description	Fam.	Subfam.	Disp. Stock	Price Euro
SIG560MC-001	VALVE 5600 1600 7 DAYS LWU 3/4" YOKE KIT 15L (48PCS)	23	500	NO	25059,02
SIG560MR-002	VALVE 5600 1600 ECO, KIT 15L (48PCS)	23	500	NO	28171,92
SIG560MR-003	VALVE 5600 1600 ECO, KIT 20L (48PCS)	23	500	NO	28141,68
SIG560MR-005	VALVE 5600 1600 ECO, INOX BP, KIT 15L (48PCS)	23	500	NO	28171,92
SIG560MR-006	VALVE 5600 1600 ECO, INOX BP, KIT 20L (48PCS)	23	500	NO	28171,92
SIG560MR-007	VALVE 5600 1600 ECO LWU INOX BP, KIT 15L (48PCS)	23	500	NO	28171,92
SIG560SC-001	VALVE 5600 SXT 1600, 3/4" YOKE KIT 15L (48PCS)	23	500	NO	24997,32
SIG560SR-002	VALVE 5600 SXT 1600 ECO, KIT 15L (48PCS)	23	500	NO	27815,83
SIG560SR-003	VALVE 5600 SXT 1600 ECO, KIT 20L (48PCS)	23	500	NO	27815,83
SIG560SR-005	VALVE 5600 SXT 1600 ECO, INOX BP, KIT 15L (48PCS)	23	500	NO	27815,83
SIG560SR-006	VALVE 5600 SXT 1600 ECO, INOX BP, KIT 20L (48PCS)	23	500	NO	27815,83
SIG560SR-007	VALVE 5600 SXT 1600 ECO, 1" YOKE, KIT 15L (48PCS)	23	500	NO	N.A.
SIG560MR-003-12	VALVE 5600 1600 ECO, KIT 20L (12 PCS)	23	500	NO	7006,76
SIG560SR-003-12	VALVE 5600 SXT 1600 ECO, KIT 20L (12 PCS)	23	500	NO	7643,76
SIG560SR-005-12	VALVE 5600 SXT 1600 ECO, INOX BP, KIT 15L (12 PCS)	23	500	NO	7643,76
SIG560SR-006-12	VALVE 5600 SXT 1600 ECO, INOX BP, KIT 20L (12 PCS)	23	500	NO	7643,76

Characteristics	
Tank size (recommended):	Softening System = 6" ÷ 12"
In/Out Connections	Threaded 3/4" or 1" BSP
Pressure vessel connection	Threaded 2,5" - 8 UN male
Drain line connection	Threaded 1/2" NPT or BSP
Brine line connection (1600)	Threaded 3/8"
Distributor tube O. D. diameter	1,05" (=27 mm)
Operating pressure	1,4 ÷ 8,5 bar
Water Temperature	1 ÷ 40 °C
Protection class	IP22
Height (from top of tank)	180 mm (200 mm with programmer SXT)

Box: WxLxH	Box: Q.ty	Box: Weight	Pallet: WxLxH	Pallet: Q.ty	Pallet: Weight

Certificates	Manufacturer	Sectors
DM174-2004 CE	Pentair	Domestic



## Signature Fleck Residential Valves Kit Series 5600



- Made in European Union (Italy).
- The kit includes 48 electronic Fleck Valves 5600SXT;
- The 5600 is high performance control valve, ideal for residential softening applications.
- The valve body in fiber-reinforced material is UV rays resistant and no subject to corrosion. The valve is easily programmable and very intuitive. Modular design simplifies the disassembly and the maintenance.
- Down Flow regeneration.
- Valve body in Noryl plastic material = polyphenylene oxide (PPO).
- Operating Flow Rate = 4.5 m<sup>3</sup>/h (20 gpm)
- Backwash Flow rate = 1.6 m<sup>3</sup>/h (7 gpm)
- Regeneration Volumetric: delayed or immediate.
- Complete with European Transformer 230-24 V / 50/60 Hz 60 VA and 1.05" twist lock upper screen.

NOTE: these products are not available in stock.

Ref.	Description	Fam.	Subfam.	Disp. Stock	Price Euro
PAL560SR-001	VALVE 5600-1600 SXT 3/4" TURB 0-1,5-0,25 (48 PCS VALV. V560SR-5115)	23	500	NO	26544,55

Characteristics	
Tank size (recommended):	Softening System = 6" ÷ 12"
In/Out Connections	Threaded 3/4" or 1" BSP
Pressure vessel connection	Threaded 2,5" - 8 UN male
Drain line connection	Threaded 1/2" NPT or BSP
Brine line connection (1600)	Threaded 3/8"
Distributor tube O. D. diameter	1,05" (=27 mm)
Operating pressure	1,4 ÷ 8,5 bar
Water Temperature	1 ÷ 40 °C
Protection class	IP22
Height (from top of tank)	200 mm

Box: WxLxH	Box: Q.ty	Box: Weight	Pallet: WxLxH	Pallet: Q.ty	Pallet: Weight

Certificates	Manufacturer	Sectors
DM174-2004 CE	Pentair	Domestic



## Fleck Residential Valves Series 5600



- Made in European Union (Italy)
- The 5600 is high performance control valve, ideal for residential softening applications with multiple options (also filter). The valve body in fiber-reinforced material is UV rays resistant and no subject to corrosion. The valve is easily programmable and very intuitive. Modular design simplifies the disassembly and the maintenance.
- The 5600 valve has a mechanical timer: the 5600SXT valve is an electronic valve: they share the same valve body (5600), but it is different for the cover and the electronic components.
- Down Flow regeneration.
- Valve body in Noryl plastic material = polyphenylene oxide (PPO).
- Operating Flow Rate = 4.5 m<sup>3</sup>/h (20 gpm)
- Backwash Flow rate = 1.6 m<sup>3</sup>/h (7 gpm)
- Regeneration:
  - Chronometric: 7 or 12 days
  - Volumetric: delayed or immediate
  - Electronics
- Complete with European Transformer 230-24 V / 50/60 Hz 60 VA and 1.05" twist lock upper screen.
- OPTIONS: SXT electronics.

Ref.	Description	Fam.	Subfam.	Disp. Stock	Price Euro
FV560MC-601	FLECK VALV. 5600/1600 12 DAYS 1-1,5-0,25	23	500	NO	652,80
FV560MR-601	FLECK VALV. 5600/1600 3/4" METER 8 M3 1-1,5-0,25	23	500	OK	879,43
FV560MR-603	FLECK VALV. 5600/1600 3/4" METER 8 M3 0-1,2-0,25LWU	23	500	NO	920,11
FV560SC-601	FLECK VALV. 5600/1600 SXT 1-1,5-0,25	23	500	NO	570,56
FV560SR-600	FLECK VALV. 5600/1600 SXT 3/4" TURBINE 0-1,2-0,25	23	500	NO	791,46
FV560SR-601	FLECK VALV. 5600/1600 SXT 3/4" TURBINE 1-1,5-0,25	23	500	OK	627,34
FV560SR-602	FLECK VALV. 5600/1600 SXT 3/4" TURBINE 2-3,5-0,5	23	500	NO	862,01
FV560SR-603	FLECK VALV. 5600/1600 SXT 3/4" TURBINE 1-2,4-0,25	23	500	NO	772,28

Characteristics	
Tank size (recommended):	Softening System = 6" ÷ 12"
In/Out Connections	Threaded 3/4" or 1" BSP
Pressure vessel connection	Threaded 2,5" - 8 UN male
Drain line connection	Threaded 1/2" NPT or BSP
Brine line connection (1600)	Threaded 3/8"
Distributor tube O. D. diameter	1,05" (=27 mm)
Operating pressure	1,4 ÷ 8,5 bar
Water Temperature	1 ÷ 40 °C
Protection class	IP22
Height (from top of tank)	180 mm (200 mm with programmer SXT)

Box: WxLxH	Box: Q.ty	Box: Weight	Pallet: WxLxH	Pallet: Q.ty	Pallet: Weight
	6				

Certificates	Manufacturer	Sectors
DM174-2004 CE	Pentair	Domestic



## Fleck Residential Valves Series 5600

### Accessories and Spare Parts

Ref	Description	Fam.	Subfam.	Disp. Stock	Price Euro
FVA13398-10	1" BSP F BRASS YOKE FOR 5800, 9000 AND 9100 VALVE	23	590	OK	38,65
FVA18706-10	1" BSP M PLASTIC YOKE FOR 5800, 9000 AND 9100 VALVES	23	590	OK	19,34
FVA24689	3/4" BSP M BRASS YOKE FOR 5800, 9000 AND 9100 VALVES	23	590	NO	56,22
FVA18706-12	3/4" BSP M PLASTIC YOKE FOR 5800, 9000 AND 9100 VALVES	23	590	OK	21,09
FVA10218	MICROSWITCH (SINGLE)	23	585	OK	10,89
FVA24114	BRINE VALVE 1600 ASSEMBLY RESID.	23	590	OK	30,71
FVR12767	SCREEN BRINE LINE	23	585	OK	9,81
FVR13305-01	O-RING 560 CD ADAPT COUPLING	23	585	OK	2,83
FVR22359	HOSE BARB STRAIGHT HOT WATER	23	585	OK	2,47
FVR24115	S&S KIT RESID	23	585	OK	44,49
FVR42933-10	MAIN DRIVE GEAR 5600SE-6600-6700	23	585	OK	21,81
FVRKIT51	KIT ACCESSORIES 1600 WITH BV44/AC500	23	585	OK	26,13





## Fleck Residential Valves Series 5800



- Made in European Union (Italy)
- The 5800 control valve is suitable for residential/commercial filter/softening applications. The valve body in fiber-reinforced material is UV rays resistant and no subject to corrosion.
- 5800 represents a great step forward in the Fleck product range: the valve platform
- is made of one hydraulic valve and different controllers, allowing various options, eliminating the need to stock a variety of control valves for filter or softener applications. 5800 features an improved flow, easy servicing (one-piece seal and spacer cartridge for quick and easy replacement) and a quick set-up.
- Cartridge with seal and spacer, reduced list of spare parts and snap assembly.
- LCD - backlit display that helps in the presence of poor lighting conditions.
- Down/Up Flow regeneration, according to the models.
- Valve body in Noryl plastic material = polyphenylene oxide (PPO).
- **Operating Flow Rate** = 4.7 m<sup>3</sup>/h (21gpm) **Backwash Flow rate** = 3.8 m<sup>3</sup>/h (16 gpm)
- Regeneration: - **Chronometric**: 7 or 12 days - **Volumetric**: delayed or immediate - Electronics
- Complete with 1.05" twist lock upper screen. In 24 V with international adapter 230 VAC - 12 VDC 50/60 Hz.
- **NOTE**: Not use silicone lubricants. **OPTIONS**: Electronic LXT - SXT - XTR

Ref	Description	Fam.	Subfam.	Disp. Stock	Price Euro
FV580LC-001	FLECK VALV. 5800/1600 LXT DF 000-1,5-0,125	23	510	NO	518,43
FV580SR-001	FLECK VALV. 5800/1600 SXT DF 3/4" TURBINE 1-1,5-0,25	23	510	OK	590,46
FV580SR-002	FLECK VALV. 5800/1600 SXT DF 3/4" TURBINE 0-1,2-0,25	23	510	NO	679,58
FV580SR-003	FLECK VALV. 5800/1600 SXT UF 3/4" TURBINE 00-1,2-0,125	23	510	NO	679,58
FV580SC-003	FLECK VALV. 5800/1600 SXT UF 00-1,2-0,125	23	510	NO	N.A.
FV580SC-004	FLECK VALV. 5800 FILTER SXT 7 GPM	23	510	NO	590,46
FV580XC-001	FLECK VALV. 5800/1600 XTR DF 1-1,5-0,25	23	510	NO	871,40
FV580XR-001	FLECK VALV. 5800-1600 XTR DF 3/4" TURBINE 1-1,5-0,25	23	510	NO	969,20
FV580XR-002	FLECK VALV. 5800/1600 XTR UF 3/4" TURBINE 00-1,2-0,25	23	510	OK	969,20

Characteristics	
Tank size (recommended):	Softening System = 6" ÷ 16" Filter = 8" ÷ 16"
In/Out Connections	Threaded 3/4 or 1" BSP to order separately
Pressure vessel connection	Threaded 2,5" - 8 UN male
Drain line connection	Threaded 1/2" NPT
Brine line connection (1600)	Threaded 3/8"
Distributor tube O. D. diameter	1,05" (=27 mm)
Operating pressure	1,4 ÷ 8,5 bar
Water Temperature	1 ÷ 40 °C
Protection class	IP22
Height (from top of tank)	228 mm

Box: WxLxH	Box: Q.ty	Box: Weight	Pallet: WxLxH	Pallet: Q.ty	Pallet: Weight
	4				

Certificates	Manufacturer	Sectors
DM174-2004, CE	Pentair	Domestic



## Fleck Residential Valves Series 5800

### Accessories

Ref	Description	Fam.	Subfam.	Disp. Stock	Price Euro
FVA13398-10	1" BSP F BRASS YOKE FOR 5800, 9000 AND 9100 VALVE	23	590	OK	38,65
FVA18706-10	1" BSP M PLASTIC YOKE FOR 5800, 9000 AND 9100 VALVES	23	590	OK	19,34
FVA24689	3/4" BSP M BRASS YOKE FOR 5800, 9000 AND 9100 VALVES	23	590	NO	56,22
FVA18706-12	3/4" BSP M PLASTIC YOKE FOR 5800, 9000 AND 9100 VALVES	23	590	OK	21,09
FVAP80	P80 EMULSION TEMPORARY RUBBER ASSEMBLY LUBRICANT10 ML TUBE	23	590	NO	8,53



## Fleck Commercial Valves Series Twin 9000



- Made in European Union (Italy)
- The 9000 is a brass valve with a fully adjustable 5-cycle control for efficient and reliable water treatment for commercial softening applications, suitable for alternating duplex systems.
- It regenerates immediately when needed for continuous soft water, keeping system clean for optimum operating efficiency and minimum maintenance.
- Valve body in brass, which permit to adapt the hot water option up to 65°C.
- Down Flow regeneration
- Operating Flow Rate = 4 m<sup>3</sup>/h (17 gpm)
- Backwash Flow Rate = 1.9 m<sup>3</sup>/h (8 gpm)
- Regeneration:
  - Volumetric: delayed or immediate
  - Electronics
- Complete with European Transformer 230-24 V / 50/60 Hz 60 VA and 1.05" twist lock upper screen.
- NOTE: Accessories for the connection of the second tank are not included, to order separately. Upper diffusers included, for both pressure tanks.
- OPTIONS: Electronic SXT - ET; Hot water 65 ° C

Ref.	Description	Fam.	Subfam.	Disp. Stock	Price Euro
FV900SI-601	FLECK VALV. 9000/1600 SXT 3/4" METER 1-1,5-0,25	23	515	NO	1457,24
FV900SI-602	FLECK VALV. 9000/1600 SXT 3/4" METER 1-2,4-0,5	23	515	OK	1457,24
FV900SI-604	FLECK VALV. 9000/1600 SXT 1" METER 2-2,4-0,5	23	515	NO	2139,24
FV900SI-606	FLECK VALV. 9000/1600 SXT 3/4" METER 2-4-1	23	515	NO	1726,72
FV900SI-607	FLECK VALV. 9000/1600 SXT 3/4" METER 3-5-1	23	515	NO	1726,72
FV900SI-608	FLECK VALV. 9000/1600 SXT 3/4" METER 3-7-1	23	515	NO	1726,72
FV900MI-600	FLECK VALV. 9000/1600 3/4" METER 8 M3 1-1,5-0,25	23	515	NO	1895,43
FV900MI-605	FLECK VALV. 9000/1600 3/4" METER 40 M3 3-5-1	23	515	NO	1771,47
FV900MI-606	FLECK VALV. 9000/1600 1" METER 100 M3 3-5-1	23	515	NO	2411,92
FV900MI-607	FLECK VAL. 9000/1600 3/4" METER 40 M3 3-7-1	23	515	NO	N.A.



## Fleck Commercial Valves Series Twin 9000

### Accessories

Ref	Description	Fam.	Subfam.	Disp. Stock	Price Euro
FVA18122	9000 KIT FLEXIBLE 2ND TANK ADAPTER - 200 MM	23	590	NO	159,95
FVA18123	9000 KIT FLEXIBLE 2ND TANK ADAPTER - 400 MM	23	590	NO	191,40
FVA18124	9000 KIT FLEXIBLE 2ND TANK ADAPTER - 500 MM	23	590	NO	238,63
FVA13398-10	1" BSP F BRASS YOKE FOR 5800, 9000 AND 9100 VALVE	23	590	OK	38,65
FVA18706-10	1" BSP M PLASTIC YOKE FOR 5800, 9000 AND 9100 VALVES	23	590	OK	19,34
FVA24689	3/4" BSP M BRASS YOKE FOR 5800, 9000 AND 9100 VALVES	23	590	NO	56,22
FVA18706-12	3/4" BSP M PLASTIC YOKE FOR 5800, 9000 AND 9100 VALVES	23	590	OK	21,09

Characteristics	
Tank size (recommended):	Softening System = 6" ÷ 16"
Connections di Ingresso / Uscita	Threaded 3/4" or 1" BSP to be ordered separately in quantities depending on the installation.
Pressure vessel connection	Threaded 2,5" - 8 UN male
Drain line connection	Threaded 1/2" or 1" NPT
Brine line connection (1600)	Threaded 3/8"
Distributor tube O. D. diameter	1,05" (=27 mm)
Operating pressure	1,8 ÷ 8,5 bar
Water Temperature	1 ÷ 40 °C
Protection class	IP22
Height (from top of tank)	165 mm

Box: WxLxH	Box: Q.ty	Box: Weight	Pallet: WxLxH	Pallet: Q.ty	Pallet: Weight
	1				

Certificates	Manufacturer	Sectors
DM174-2004 CE	Pentair	Commercial



## Fleck Commercial Valves Series Twin 9100



- Made in European Union (Italy)
- The 9100 is a valve in Noryl plastic material, non-corrosive and UV-resistant, for an efficient water treatment and suitable for commercial softening applications, designed for alternating duplex systems.
- It regenerates immediately when needed for continuous soft water, keeping system clean for optimum operating efficiency and minimum maintenance.
- Valve body in Noryl plastic material = polyphenylene oxide (PPO). **Down Flow regeneration.**
- **Operating Flow Rate** = 4 m<sup>3</sup>/h (17 gpm) **Backwash Flow Rate** = 1.9 m<sup>3</sup>/h (8 gpm)
- Regeneration: - Volumetric: delayed or immediate - Electronics
- Complete with: European Transformer 230-24 V / 50/60 Hz 60 VA -1.05" twist lock upper screen -quick connections for the second tank and PVC connection pipes.
- **NOTE:** Accessories for the connection of the second tank are not included, to order separately. Upper diffusers included, for both pressure tanks. **OPTIONS:**Electronic SXT - ET

Ref.	Description	Fam.	Subfam.	Disp. Stock	Price Euro
FV910SI-600	FLECK VAL. 9100/1600 SXT MIXING 3/4" METER 0-1,2-0	23	520	NO	N.A.
FV910SI-601	FLECK VALV. 9100/1600 SXT 3/4" METER 1-2,4-0,5	23	520	OK	1254,38
FV910SI-602	FLECK VALV. 9100/1600 SXT 3/4" METER MSWIRED 1-2,4-0,5	23	520	NO	1430,23
FV910SI-603	FLECK VALV. 9100/1600 SXT 3/4" METER MS 1-2,4-0,5	23	520	NO	1347,79
FV910SI-605	FLECK VALV. 9100/1600 SXT MIXING 3/4" METER 1-2,4-1	23	520	NO	1530,73
FV910SI-606	FLECK VALV. 9100/1600 SXT 3/4" METER 2-3,5-1	23	520	NO	1342,87
FV910SI-607	FLECK VALV. 9100/1600 SXT 1" METER 3-5-1	23	520	OK	1768,88
FV910SI-608	FLECK VALV. 9100/1600 SXT 3/4" METER 3-5-1	23	520	OK	1254,38
FV910MI-603	FLECK VALV. 9100/1600 3/4" METER 40 M3 2-3,5-1	23	520	NO	1481,56
FV910MI-604	FLECK VALV. 9100/1600 1" METER 100 M3 3-5-1	23	520	NO	1773,71

Characteristics	
Tank size (recommended):	Softening System = 6" ÷ 16"
In/Out Connections	Threaded 3/4" or 1" BSP to be ordered separately in quantities depending on the installation.
Pressure vessel connection	Threaded 2,5" - 8 UN male
Drain line connection	Threaded 1/2" or 1" NPT or BSP
Brine line connection (1600)	Threaded 3/8"
Distributor tube O. D. diameter	1,05" (=27 mm)
Operating pressure	1,8 ÷ 8,5 bar
Water Temperature	1 ÷ 40 °C
Protection class	IP22
Height (from top of tank)	185 mm

Box: WxLxH	Box: Q.ty	Box: Weight	Pallet: WxLxH	Pallet: Q.ty	Pallet: Weight
	1				

Certificates	Manufacturer	Sectors
DM174-2004 CE	Pentair	Commercial



## Signature Fleck Commercial Valves Kit Series Twin 9100



- Made in European Union (Italy).
- The kit includes 24 pieces of Fleck Valves 9100;
- The 9100 is a valve in Noryl plastic material, non-corrosive and UV-resistant, for an efficient water treatment and suitable for commercial softening applications, designed for alternating duplex systems.
- It regenerates immediately when needed for continuous soft water, keeping system clean for optimum operating efficiency and minimum maintenance.
- Valve body in Noryl plastic material = polyphenylene oxide (PPO). **Down Flow regeneration.**
- **Operating Flow Rate** = 4 m<sup>3</sup>/h (17 gpm) **Backwash Flow Rate** = 1.9 m<sup>3</sup>/h (8 gpm)
- Regeneration: - Volumetric: delayed or immediate - Electronics
- Complete with: European Transformer 230-24 V / 50/60 Hz 60 VA -1.05" twist lock upper screen -quick connections for the second tank and PVC connection pipes.
- **NOTE:** Accessories for the connection of the second tank are not included, to order separately. Upper diffusers included, for both pressure tanks. **OPTIONS:**Electronic SXT - ET.
- Each kit includes 24 pieces of each following items: Bypass, Air Check 500, SBV 2310, Distributor Assy 1" HF (48 pieces), Yoke.

NOTE: these products are not available in stock.

Ref	Description	Fam.	Subfam.	Disp. Stock	Price Euro
SIG910SI-001	VALVE 9100-1600, MIX 3/4" SXT, 9"	23	520	NO	32818,80
SIG910SI-002	VALVE 9100-1600, MIX 3/4" SXT, 12"	23	520	NO	31312,68
SIG910SI-003	VALVE 9100-1600, MIX 3/4" SXT, 16"	23	520	NO	31312,68

Characteristics	
Tank size (recommended):	Softening System = 6" ÷ 16"
In/Out Connections	Threaded 3/4" or 1" BSP to be ordered separately in quantities depending on the installation.
Pressure vessel connection	Threaded 2,5" - 8 UN male
Drain line connection	Threaded 1/2" or 1" NPT or BSP
Brine line connection (1600)	Threaded 3/8"
Distributor tube O. D. diameter	1,05" (=27 mm)
Operating pressure	1,8 ÷ 8,5 bar
Water Temperature	1 ÷ 40 °C
Protection class	IP22
Height (from top of tank)	185 mm

Box: WxLxH	Box: Q.ty	Box: Weight	Pallet: WxLxH	Pallet: Q.ty	Pallet: Weight

Certificates	Manufacturer	Sectors
DM174-2004 CE	Pentair	Commercial



## Fleck Commercial Valves Series Twin 9100

### Accessories

Ref	Description	Fam.	Subfam.	Disp. Stock	Price Euro
FVA28243-07	9100 PVC CONNECTING TUBES 2ND TANK ADAPTER - 7"	23	590	NO	77,50
FVA28243-09	9100 PVC CONNECTING TUBES 2ND TANK ADAPTER - 9"	23	590	NO	86,46
FVA28243-12	9100 PVC CONNECTING TUBES 2ND TANK ADAPTER - 12"	23	590	NO	99,02
FVA28243-16	9100 PVC CONNECTING TUBES 2ND TANK ADAPTER - 16"	23	590	NO	86,46
FVA13398-10	1" BSP F BRASS YOKE FOR 5800, 9000 AND 9100 VALVE	23	590	OK	38,65
FVA18706-10	1" BSP M PLASTIC YOKE FOR 5800, 9000 AND 9100 VALVES	23	590	OK	19,34
FVA24689	3/4" BSP M BRASS YOKE FOR 5800, 9000 AND 9100 VALVES	23	590	NO	56,22
FVA18706-12	3/4" BSP M PLASTIC YOKE FOR 5800, 9000 AND 9100 VALVES	23	590	OK	21,09



## Fleck Commercial Valves Series Twin 9500



- Made in European Union (Italy)
- The 9500 is a brass valve, non-corrosive and UV-resistant, with fully adjustable 5-cycle control for an efficient water treatment and suitable for commercial softening applications, designed for alternating duplex systems.
- It regenerates immediately when needed for continuous soft water, keeping system clean for optimum operating efficiency and minimum maintenance.
- Valve body in brass, which permit to adapt the hot water option up to 65°C.
- Down Flow regeneration.
- Operating Flow Rate = 8.4 m<sup>3</sup>/h (37 gpm)
- Backwash Flow Rate = 3.3 m<sup>3</sup>/h (14 gpm)
- **Regeneration:** - Volumetric: delayed or immediate - Electronics
- Complete with European Transformer 230-24 V / 50/60 Hz 60 VA
- **NOTE:** Accessories for the connection of the second tank are not included, to order separately. Upper diffusers included, for both pressure tanks
- **OPTIONS:** Electronic SXT - ET; Hot water 65 ° C

Ref.	Description	Fam.	Subfam.	Disp. Stock	Price Euro
FV950SI-600	FLECK VALV. 9500/1650 SXT 1.5" METER 3-5-1	23	525	OK	4119,36
FV950SI-602	FLECK VALV. 9500/1650 SXT 1.5" METER MS 3-5-1 ENG. PLUG	23	525	NO	N.A.
FV950SI-603	FLECK VALV. 9500/1710 SXT 1.5" METER 3C-7-1,2	23	525	NO	4766,97
FV950SI-605	FLECK VAVL. 9500/1710 SXT 1.5" METER 4C-15-2	23	525	OK	4119,36
FV950SI-606	FLECK VAVL. 9500/1710 SXT 1.5" INLINE METER 4C-15-2	23	525	OK	4394,92
FV950SI-607	FLECK VAVL. 9500/1710 SXT 1.5" METER MS 4C-15-2 ENG. PLUG	23	525	NO	N.A.
FV950MI-600	FLECK VALV. 9500/1650 1.5" METER 40 M3 3-5-1	23	525	NO	4549,61
FV950MI-602	FLECK VALV. 9500/1710 1.5" METER 200 M3 4C-10-2	23	525	NO	5078,15
FV950MI-603	FLECK VALV. 9500/1710 1.5" METER 200 M3 MSWIRED 4C-10-2	23	525	NO	N.A.
FV950MI-604	FLECK VALV. 9500/1710 1.5" METER 40 M3 4C-10-2	23	525	NO	5026,53
FV950MI-606	FLECK VALV. 9500/1710 1.5" METER 40 M3 4C-15-2	23	525	NO	N.A.

## Accessories

Ref.	Description	Fam.	Subfam.	Disp. Stock	Price Euro
FVA28137-16	9500 KIT COPPER TUBES 2ND TANK ADAPTER - 16"	23	590	OK	546,47
FVA28137-20	9500 KIT COPPER TUBES 2ND TANK ADAPTER - 20"	23	590	NO	624,95
FVA28137-24	9500 KIT COPPER TUBES 2ND TANK ADAPTER - 24"	23	590	NO	546,47





## Fleck Commercial Valves Series Twin 9500

Characteristics	
Tank size (recommended):	Softening System = 10" ÷ 24"
In/Out Connections	Threaded 1,5" BSP
Pressure vessel connection	Threaded 4" - 8 UN male
Drain line connection	Threaded ½" NPT or BSP
Brine line connection (1650)	Threaded ¾"
Brine line connection (1710)	Threaded ½"
Distributor tube O. D. diameter	50 mm
Operating pressure	1,8 ÷ 8,5 bar
Water Temperature	1 ÷ 40 °C
Protection class	IP22
Height (from top of tank)	185 mm

Box: WxLxH	Box: Q.ty	Box: Weight	Pallet: WxLxH	Pallet: Q.ty	Pallet: Weight
	1				

Certificates	Manufacturer	Sectors
DM174-2004 CE	Pentair	Commercial

### Accessories

Ref	Description	Fam.	Subfam.	Disp. Stock	Price Euro
FVA28137-16	9500 KIT COPPER TUBES 2ND TANK ADAPTER - 16"	23	590	OK	546,47
FVA28137-20	9500 KIT COPPER TUBES 2ND TANK ADAPTER - 20"	23	590	NO	624,95
FVA28137-24	9500 KIT COPPER TUBES 2ND TANK ADAPTER - 24"	23	590	NO	546,47



## Fleck Industrial Valves Series 2750



- Made in European Union (Italy)
- The 2750 control valve is suitable for small commercial and industrial filter or softening applications, designed for systems with one or more columns.
- It is a single piston valve, with a protective cover water, corrosion and UV rays resistant.
- Valve body in brass.
- Down Flow regeneration
- Operating Flow Rate = 5.9 m<sup>3</sup>/h (26 gpm)
- Backwash Flow Rate = 5.6 m<sup>3</sup>/h (25 gpm)
- Regeneration: Manual - Chronometric: 7 or 12 days
- - Volumetric: delayed or immediate -Electronics
- Complete with European Transformer 230-24 V / 50/60 Hz 60 VA and 1.05" twist lock upper screen.
- NOTE: For electronic models, the meter is not included, to order separately. For the filter valves, the DLFC is not included, to order separately.
- For NXT multi valve systems, please order (quantity = n-1 valves) the cable kit NXT (ref.FVA61763) separately;
- OPTIONS: NBP piston - Manual filter - SXT - NXT electronics - Mechanical controllers for simplex and duplex - Hot water - mechanical only 65 ° C volumetric or 82 ° C chronometric

Ref.	Description	Fam.	Subfam.	Disp. Stock	Price Euro
FV275XC-600	FLECK VALV. 2750/1710 NO TIMER MSWIRED 4C-10-2	23	530	NO	N.A.
FV275XC-601	FLECK VALV. 2750/1650 NO TIMER MSWIRED 3-5-1	23	530	NO	1403,04
FV275XC-602	FLECK VALV. 2750/1600 NO TIMER HW MSWIRED 3-5-1	23	530	NO	1688,49
FV275SC-600	FLECK VALV. 2750 FILTER SXT	23	530	NO	1159,23
FV275SC-601	FLECK VALV. 2750 FILTER SXT NBP	23	530	NO	1347,01
FV275SC-603	FLECK VALV. 2750/1650 SXT 3-5-1	23	530	NO	1044,17
FV275NC-601	FLECK VALV. 2750 FILTER NXT	23	530	NO	N.A.
FV275NC-603	FLECK VALV. 2750/1650 NXT NBP 3-5-1	23	530	NO	2220,62

Characteristics	
Tank size (recommended):	Softening System = 10" ÷ 24" Filter = 10" ÷ 21"
In/Out Connections	Threaded 1" BSP F
Pressure vessel connection	Threaded 2,5" - 8 UN male
Drain line connection	Threaded ¾" NPT or BSP
Brine line connection (1600)	Threaded ¾"
Brine line connection (1710)	Threaded ½"
Distributor tube O. D. diameter	1,05" (=27 mm)
Operating pressure	1,8 ÷ 8,5 bar
Water Temperature	1 ÷ 40 °C
Protection class	IP22
Height (from top of tank)	165 mm

Box: WxLxH	Box: Q.ty	Box: Weight	Pallet: WxLxH	Pallet: Q.ty	Pallet: Weight

Certificates	Manufacturer	Sectors
DM174-2004 CE	Pentair	Commercial, Industrial



## Fleck Industrial Valves Series 2750

Ref	Description	Fam.	Subfam.	Disp. Stock	Price Euro
FV275XM-601	FLECK VALV. 2750 FILTER MANUAL NBP	23	530	NO	804,88
FV275MC-600	FLECK VALV. 2750 FILTER 12 DAYS	23	530	NO	1232,20
FV275MC-601	FLECK VALV. 2750 FILTER 12 DAYS NBP	23	530	NO	1583,86
FV275MC-602	FLECK VALV. 2750/1650 12 DAYS 3-5-1	23	530	NO	1330,69

Box: WxLxH	Box: Q.ty	Box: Weight	Pallet: WxLxH	Pallet: Q.ty	Pallet: Weight

Certificates	Manufacturer	Sectors
DM174-2004 CE	Pentair	Commercial, Industrial

### Accessories

Ref.	Description	Fam.	Subfam.	Disp. Stock	Price Euro
FVA24202-10	DLFC 3/4" NPT - 3/4" BSP 2750 - 10 GPM	23	590	NO	85,00
FVA24202-15	DLFC 3/4" NPT - 3/4" BSP 2750 - 15 GPM	23	590	NO	79,06
FVA24202-20	DLFC 3/4" NPT - 3/4" BSP 2750 - 20 GPM	23	590	NO	80,95
FVA24202-25	DLFC 3/4" NPT - 3/4" BSP 2750 - 25 GPM	23	590	NO	79,06
FVA24202-9	DLFC 3/4" NPT - 3/4" BSP 2750 - 9 GPM	23	590	NO	79,06
FVA24212-1.2	DLFC 3/4" NPT - 1/2" NPT 2750 - 1,2 GPM	23	590	NO	N.A.
FVA24212-1.5	DLFC 3/4" NPT - 1/2" NPT 2750 - 1,5 GPM	23	590	NO	50,00
FVA24212-2	DLFC 3/4" NPT - 1/2" NPT 2750 - 2 GPM	23	590	NO	N.A.
FVA24212-2.4	DLFC 3/4" NPT - 1/2" NPT 2750 - 2,4 GPM	23	590	NO	50,00
FVA24212-3	DLFC 3/4" NPT - 1/2" NPT 2750 - 3 GPM	23	590	NO	50,00
FVA24212-3.5	DLFC 3/4" NPT - 1/2" NPT 2750 - 3,5 GPM	23	590	NO	50,00
FVA24212-4	DLFC 3/4" NPT - 1/2" NPT 2750 - 4 GPM	23	590	NO	50,00
FVA24212-5	DLFC 3/4" NPT - 1/2" NPT 2750 - 5 GPM	23	590	NO	44,39
FVA24212-7	DLFC 3/4" NPT - 1/2" NPT 2750 - 7 GPM	23	590	NO	50,00
FVA29096	KIT METER SS ASSY 1" NT/NXT	23	590	NO	890,34
FVA61763	KIT COMMUNICATION CABLE NXT/NXT2	23	590	NO	66,53



## Fleck Industrial Valves Series 2850



- Made in European Union (Italy)
- The 2850 control valve is suitable for small commercial and industrial filtration or softening applications, designed for systems with one or more columns.
- Valve body in brass.
- It is a single piston valve, with a cover non-corrosive, water and UV resistant.
- Down Flow regeneration
- Operating Flow Rate = 11.6 m<sup>3</sup>/h (51 gpm)
- Backwash Flow Rate = 11.1 m<sup>3</sup>/h (48 gpm)
- Regeneration: -Manual - Chronometric: 7 or 12 days - Volumetric: delayed or immediate - Electronics
- Complete with European Transformer 230-24 V / 50/60 Hz 60 VA and 2 "- Kit 8 upper screen.
- NOTE:For electronic models, the meter is not included, to order separately. For the filter valves, the DLFC is not included, to order separately.
- For NXT multi valve systems, please order (quantity = n-1 valves) the cable kit NXT (ref.FVA61763) separately;
- OPTIONS: NBP piston - Manual filter - Electronic SXT - NXT - Mechanical timers for simplex and duplex - Hot water - mechanical only 65° C volumetric or 82° C chronometric.

Ref.	Description	Fam.	Subfam.	Disp. Stock	Price Euro
FV285MC-600	FLECK VALV. 2850 FILTER 12 DAYS	23	535	NO	1739,80
FV285MC-601	FLECK VALV. 2850 FILTER 12 DAYS NBP	23	535	NO	2084,97
FV285MC-602	FLECK VALV. 2850/1650 12 DAYS 3-5-1	23	535	NO	N.A.
FV285MC-604	FLECK VALV. 2850/1710 12 DAYS 4C-10-2	23	535	NO	2080,45
FV285MC-605	FLECK VALV. 2850/1710 12 DAYS 4C-10-2 NBP	23	535	NO	N.A.
FV285MR-601	FLECK VALV. 2850/1710 1.5" METER 200 M3 4C-10-2	23	535	NO	4159,83
FV285MR-602	FLECK VALV. 2850/1710 1.5" METER 200 M3 4C-10-2 NBP	23	535	NO	4012,59
FV285SC-600	FLECK VALV. 2850 FILTER SXT	23	535	NO	1769,85

Characteristics	
Tank size (recommended):	Softening System = 10" ÷ 30" Filter = 10" ÷ 24"
In/Out Connections	Threaded 1,5" BSP F
Pressure vessel connection	Threaded 4" - 8 UN male
Drain line connection	Threaded 1" NPT or BSP
Brine line connection (1650)	Threaded 3/8"
Brine line connection (1710)	Threaded 1/2"
Distributor tube O. D. diameter	3/4 pollice NPT
Operating pressure	50 mm
Water Temperature	1 ÷ 40 °C
Protection class	IP22
Height (from top of tank)	165 mm

Box: WxLxH	Box: Q.ty	Box: Weight	Pallet: WxLxH	Pallet: Q.ty	Pallet: Weight
	1				

Certificates	Manufacturer	Sectors
DM174-2004 CE	Pentair	Commercial, Industrial



## Fleck Industrial Valves Series 2850

Ref	Description	Fam.	Subfam.	Disp. Stock	Price Euro
FV285SC-601	FLECK VALV. 2850 FILTER SXT NBP	23	535	NO	1975,71
FV285SC-602	FLECK VALV. 2850/1650 SXT 3-5-1	23	535	NO	1663,79
FV285SC-603	FLECK VALV. 2850/1650 SXT 3-5-1 NBP	23	535	NO	2100,80
FV285SC-604	FLECK VALV. 2850/1710 SXT 3C-7-1,2	23	535	NO	N.A.
FV285SC-605	FLECK VALV. 2850/1710 SXT 4C-10-2	23	535	NO	1767,05
FV285SC-608	FLECK VALV. 2850/1710 SXT 5C-25-4 NBP	23	535	NO	N.A.
FV285NC-601	FLECK VALV. 2850 FILTER NXT NBP	23	535	NO	2735,50
FV285NC-602	FLECK VALV. 2850/1650 NXT NBP 3-5-1	23	535	NO	2873,05
FV285NC-603	FLECK VALV. 2850/1710 NXT NBP 4C-10-2	23	535	NO	2845,76
FV285NC-606	FLECK VALV. 2850/1650 NXT 3-5-1	23	535	NO	N.A.
FV285NC-609	FLECK VALV. 2850/1710 NXT 5C-25-4	23	535	NO	2504,38

Box: WxLxH	Box: Q.ty	Box: Weight	Pallet: WxLxH	Pallet: Q.ty	Pallet: Weight

Certificates	Manufacturer	Sectors
DM174-2004 CE	Pentair	Commercial, Industrial

### Accessories

Ref.	Description	Fam.	Subfam.	Disp. Stock	Price Euro
FVA13640	DOLE 30 GPM 2850/2910	23	590	NO	286,63
FVA25171-1.2	DLFC 1" NPT - 3/4" BSP ASSY 1.2 GPM 2850/2910/950	23	590	NO	N.A.
FVA25171-1.5	DLFC 1" NPT - 3/4" BSP ASSY 1.5 GPM 2850/2910/950	23	590	NO	N.A.
FVA25171-2	DLFC 1" NPT - 3/4" BSP ASSY 2 GPM 2850/2910/9500	23	590	NO	N.A.
FVA25171-2.4	DLFC 1" NPT - 3/4" BSP ASSY 2.4 GPM 2850/2910/950	23	590	NO	79,06
FVA25171-3	DLFC 1" NPT - 3/4" BSP ASSY 3 GPM 2850/2910/9500	23	590	NO	89,02
FVA25171-4	DLFC 1" NPT - 3/4" BSP ASSY 4 GPM 2850/2910/9500	23	590	NO	89,02
FVA25171-5	DLFC 1" NPT - 3/4" BSP ASSY 5 GPM 2850/2910/9500	23	590	NO	80,95
FVA25171-7	DLFC 1" NPT - 3/4" BSP ASSY 7 GPM 2850/2910/9500	23	590	NO	89,02
FVA25581-8	DLFC 1" NPT - 3/4" BSP ASSY 8 GPM 2850/2910/9500	23	590	NO	79,06
FVA25581-9	DLFC 1" NPT - 3/4" BSP ASSY 9 GPM 2850/2910/9500	23	590	NO	N.A.
FVA25581-ALL	KIT DLFC 1" 2850/2910/9500 10 TO 25 GPM	23	590	NO	188,34
FVA29097	KIT METER SS ASSY 1,5" NT/NXT	23	590	NO	1021,85
FVA61763	KIT COMMUNICATION CABLE NXT/NXT2	23	590	NO	66,53



## Fleck Industrial Valves Series 2910



- Made in European Union (Italy); valve body in brass.
- The 2910 control valve is suitable for industrial and multivalve systems, for filtration or softening applications.
- It is a valve characterized by superior strength with improved 2 piston-system technology to drive independent flows of service and regeneration, with a cover non-corrosive, water and UV resistant.
- Down/Up Flow regeneration, according to the models.
- Operating Flow Rate = 24 m<sup>3</sup>/h (105 gpm)
- Backwash Flow Rate = 8 m<sup>3</sup>/h (35 gpm)
- Regeneration: - Chronometric: 7 or 12 days - Volumetric: delayed or immediate - Electronics
- Complete with European Transformer 230-24 V / 50/60 Hz 60 VA and 2 "- Kit 8 upper screen.
- NOTE: For electronic models, the meter is not included, to order separately. For the filter valves, the DLFC is not included, to order separately.
- For NXT multi valve systems, please order (quantity = n-1 valves) the cable kit NXT (ref.FVA61763) separately;
- OPTIONS: NBP piston - Filter; Electronic SXT - NXT - Mechanical controllers for simplex and duplex - Hot water - mechanical only 65° C volumetric or 82° C chronometric.
- In order to manage softener valves DUPLEX A/B #7 NBP it is necessary to buy FVA29188 or FVA29189 separately.

Ref.	Description	Fam.	Subfam.	Disp. Stock	Price Euro
FV291MD-608	FLECK VAL. 2910/1710 DUPLEX A #7 NBP 6C-30-4	23	540	OK	3476,42
FV291MD-609	FLECK VAL. 2910/1710 DUPLEX B #7 NBP 6C-30-4	23	540	OK	3476,42
FV291MC-603	FLECK VALV. 2910/1710 12 DAYS DF 3C-10-2	23	540	NO	N.A.
FV291MC-604	FLECK VALV. 2910/1710 12 DAYS DF 4C-15-2	23	540	NO	3294,61
FV291MC-606	FLECK VALV. 2910/1710 12 DAYS DF 4C-15-2 NBP	23	540	NO	3137,74
FV291MR-600	FLECK VALV. 2910/1650 2" METER 75 M3 3-5-1	23	540	NO	N.A.
FV291SC-600	FLECK VALV. 2910/1650 SXT 3-5-1	23	540	NO	2687,72
FV291SC-601	FLECK VALV. 2910/1710 SXT 3C-7-1,2	23	540	NO	N.A.
FV291SC-602	FLECK VALV. 2910/1710 SXT 4C-10-2	23	540	NO	2758,51
FV291SC-603	FLECK VALV. 2910/1710 SXT 4C-15-2	23	540	NO	2372,56
FV291SC-604	FLECK VALV. 2910/1710 SXT 5C-25-4	23	540	NO	2786,08
FV291NC-600	FLECK VALV. 2910/1650 NXT 3-7-1 NBP	23	540	NO	3198,80

Characteristics	
Tank size (recommended):	Softening System = 14" ÷ 36" Filter = 14" ÷ 24"
In/Out Connections	Threaded 2" BSP F
Pressure vessel connection	Threaded 4" - 8 UN male
Drain line connection	Threaded 1" NPT or BSP
Brine line connection (1650)	Threaded 3/8"
Brine line connection (1710)	Threaded 1/2"
Distributor tube O. D. diameter	50 mm
Operating pressure	1,8 ÷ 8,5 bar
Water Temperature	1 ÷ 40 °C
Protection class	IP22
Height (from top of tank)	305 mm



Ref	Description	Fam.	Subfam.	Disp. Stock	Price Euro
FV291NC-601	FLECK VALV. 2910/1710 NXT 3C-10-2 NBP	23	540	NO	3217,22
FV291NC-602	FLECK VALV. 2910/1710 NXT 4C-10-2 NBP	23	540	NO	3297,16
FV291NC-603	FLECK VALV. 2910/1710 NXT 4C-15-2 NBP	23	540	OK	2788,29
FV291NC-604	FLECK VALV. 2910/1710 NXT 6C-25-4	23	540	NO	3297,16
FV291NC-605	FLECK VALV. 2910/1710 NXT 6C-25-4 NBP	23	540	OK	3297,16
FV291NC-607	FLECK VALV. 2910/1710 NXT 4C-15-2 HW	23	540	NO	4049,29
FV291NC-609	FLECK VALV. 2910/1710 NXT UF 4C-15-2	23	540	NO	3499,92
FV291NC-610	FLECK VALV. 2910/1710 NXT UF 4C-15-2 NBP	23	540	NO	3638,50

Box: WxLxH	Box: Q.ty	Box: Weight	Pallet: WxLxH	Pallet: Q.ty	Pallet: Weight
	1				

Certificates	Manufacturer	Sectors
DM174-2004 CE	Pentair	Industrial

### Accessories

Ref.	Description	Fam.	Subfam.	Disp. Stock	Price Euro
FVA13640	DOLE 30 GPM 2850/2910	23	590	NO	286,63
FVA25171-1.2	DLFC 1" NPT - 3/4" BSP ASSY 1.2 GPM 2850/2910/950	23	590	NO	N.A.
FVA25171-1.5	DLFC 1" NPT - 3/4" BSP ASSY 1.5 GPM 2850/2910/950	23	590	NO	N.A.
FVA25171-2	DLFC 1" NPT - 3/4" BSP ASSY 2 GPM 2850/2910/9500	23	590	NO	N.A.
FVA25171-2.4	DLFC 1" NPT - 3/4" BSP ASSY 2.4 GPM 2850/2910/950	23	590	NO	79,06
FVA25171-3	DLFC 1" NPT - 3/4" BSP ASSY 3 GPM 2850/2910/9500	23	590	NO	89,02
FVA25171-4	DLFC 1" NPT - 3/4" BSP ASSY 4 GPM 2850/2910/9500	23	590	NO	89,02
FVA25171-5	DLFC 1" NPT - 3/4" BSP ASSY 5 GPM 2850/2910/9500	23	590	NO	80,95
FVA25171-7	DLFC 1" NPT - 3/4" BSP ASSY 7 GPM 2850/2910/9500	23	590	NO	89,02
FVA25581-10	DLFC 1" NPT - 3/4" BSP ASSY 10 GPM 2850/2910/9500	23	590	NO	79,06
FVA25581-12	DLFC 1" NPT - 3/4" BSP ASSY 12 GPM 2850/2910/9500	23	590	NO	79,06
FVA25581-15	DLFC 1" NPT - 3/4" BSP ASSY 15 GPM 2850/2910/9500	23	590	NO	79,06
FVA25581-20	DLFC 1" NPT - 3/4" BSP ASSY 20 GPM 2850/2910/9500	23	590	NO	79,02
FVA25581-25	DLFC 1" NPT - 3/4" BSP ASSY 25 GPM 2850/2910/9500	23	590	NO	79,06
FVA25581-8	DLFC 1" NPT - 3/4" BSP ASSY 8 GPM 2850/2910/9500	23	590	NO	79,06
FVA25581-9	DLFC 1" NPT - 3/4" BSP ASSY 9 GPM 2850/2910/9500	23	590	NO	N.A.
FVA25581-ALL	KIT DLFC 1" 2850/2910/9500 10 TO 25 GPM	23	590	NO	188,34
FVA29098	KIT METER SS ASSY 2" NT/NXT	23	590	NO	1108,79
FVA28295	KIT METER ELECTRONIC 2" PLASTIC 2910/3150	23	590	OK	772,37
FVA61763	KIT COMMUNICATION CABLE NXT/NXT2	23	590	NO	66,53
FVA29188	STAINLESS STEEL REMOTE METER 75 M3	23	590	NO	2548,50
FVA29189	STAINLESS STEEL REMOTE METER 375 M3	23	590	NO	2122,74



## Fleck Industrial Valves Series 3150

- Made in European Union (Italy)
- The 3150 is a fully adjustable 3- or 5-cycle control valve for an efficient and reliable water treatment, suitable for industrial filtration and softening applications. Valve body in brass.
- It is a valve characterized by considerable strength, with a cover non-corrosive, water and UV resistant.
- Down Flow regeneration
- Operating Flow Rate = 22 m³/h (97 gpm)
- Backwash Flow Rate = 24 m³/h (105 gpm)
- Regeneration:
  - - Chronometric: 7 or 12 days
  - - Volumetric: delayed or immediate
  - - Electronics
- Complete with European Transformer 230-24 V / 50/60 Hz 60 VA and 2 "- Kit 8 upper screen.
- NOTE: Adapter for top or side mount is not included, to be ordered separately. For electronic models, the meter is not included, to order separately. For the filter valves, the DLFC is not included, to order separately.
- For NXT multi valve systems, please order (quantity = n-1 valves) the cable kit NXT (ref.FVABU41692) separately;
- OPTIONS:
  - NBP piston
  - Filter;
  - Electronic NXT
  - Mechanical controllers for simplex and duplex
  - Hot water - mechanical only 65° C volumetric or 82° C chronometric.

Ref.	Description	Fam.	Subfam.	Disp. Stock	Price Euro
FV315MC-600	FLECK VALV. 3150 FILTER 12 DAYS	23	545	NO	4572,18
FV315MC-601	FLECK VALV. 3150 FILTER 12 DAYS NBP	23	545	NO	4427,31
FV315NC-600	FLECK VALV. 3150 FILTER NXT	23	545	NO	4134,72
FV315NC-601	FLECK VALV. 3150 FILTER NXT NBP	23	545	NO	4376,11
FV315NC-604	FLECK VALV. 3150/1800 NXT 4-20-5 NBP	23	545	NO	N.A.
FV315NC-607	FLECK VALV. 3150/1800 NXT 6-35-5	23	545	NO	4472,78

Characteristics	
Tank size (recommended):	Softening System = 24" ÷ 42" (Side mount filter 63") Filter = 24" ÷ 42"
In/Out Connections	Threaded 2" BSP
Pressure vessel connection	Threaded 4" - 8 UN male
Drain line connection	Threaded 2" NPT or BSP
Brine line connection (1800)	Threaded 1" NPT
Distributor tube O. D. diameter	63 mm
Operating pressure	1,8 ÷ 8,5 bar
Water Temperature	1 ÷ 40 °C
Protection class	IP22
Height (from top of tank)	254 mm

Box: WxLxH	Box: Q.ty	Box: Weight	Pallet: WxLxH	Pallet: Q.ty	Pallet: Weight

Certificates	Manufacturer	Sectors
DM174-2004 CE	Pentair	Industrial





## Fleck Industrial Valves Series 3150

Ref.	Description	Fam.	Subfam.	Disp. Stock	Price Euro
FV315NC-608	FLECK VALV. 3150/1800 NXT 6-35-5 NBP	23	545	NO	4714,14
FV315NC-609	FLECK VALV. 3150/1800 NXT 7-50-10	23	545	NO	4472,78
FV315NC-612	FLECK VALV. 3150/1800 NXT 8-70-10 NBP	23	545	NO	4714,14
FV315NC-613	FLECK VALV. 3150/1800 NXT 9-80-10	23	545	NO	N.A.
FV315NC-614	FLECK VALV. 3150/1800 NXT 9-80-10 NBP	23	545	NO	4667,47
FV315NC-615	FLECK VALV. 3150/1800 NXT 10-100-10	23	545	NO	4649,91
FV315NC-616	FLECK VALV. 3150/1800 NXT 10-100-10 NBP	23	545	NO	4714,14
FV315XC-600	FLECK VALV. 3150/1800 NOTIMER MSWIRED 4-20-5	23	545	NO	4504,11
FV315XC-601	FLECK VALV. 3150/1800 NOTIMER NOPLUG7-50-10 HW	23	545	NO	N.A.

Box: WxLxH	Box: Q.ty	Box: Weight	Pallet: WxLxH	Pallet: Q.ty	Pallet: Weight

Certificates	Manufacturer	Sectors
DM174-2004 CE	Pentair	Industrial

### Accessories

Ref.	Description	Fam.	Subfam.	Disp. Stock	Price Euro
FVA18023	TANK DAPT ASSY 3150 SM	23	590	OK	606,41
FVA18024	TANK ADAPT ASSY 3150 TM	23	590	NO	444,71
FVA25580-100	DLFC 2" BSP- 2" BSP ASSY 100 GPM 3150/3900	23	590	NO	222,84
FVA25580-20	DLFC 2" BSP- 2" BSP ASSY 20 GPM 3150/3900	23	590	NO	222,84
FVA25580-25	DLFC 2" BSP- 2" BSP ASSY 25 GPM 3150/3900	23	590	NO	222,84
FVA25580-30	DLFC 2" BSP- 2" BSP ASSY 30 GPM 3150/3900	23	590	NO	222,84
FVA25580-35	DLFC 2" BSP- 2" BSP ASSY 35 GPM 3150/3900	23	590	NO	222,84
FVA25580-40	DLFC 2" BSP- 2" BSP ASSY 40 GPM 3150/3900	23	590	NO	222,84
FVA25580-45	DLFC 2" BSP- 2" BSP ASSY 45 GPM 3150/3900	23	590	NO	222,84
FVA25580-50	DLFC 2" BSP- 2" BSP ASSY 50 GPM 3150/3900	23	590	NO	222,84
FVA25580-55	DLFC 2" BSP- 2" BSP ASSY 55 GPM 3150/3900	23	590	NO	222,84
FVA25580-60	DLFC 2" BSP- 2" BSP ASSY 60 GPM 3150/3900	23	590	NO	N.A.
FVA25580-65	DLFC 2" BSP- 2" BSP ASSY 65 GPM 3150/3900	23	590	NO	222,84
FVA25580-70	DLFC 2" BSP- 2" BSP ASSY 70 GPM 3150/3900	23	590	NO	222,84
FVA25580-75	DLFC 2" BSP- 2" BSP ASSY 75 GPM 3150/3900	23	590	NO	222,84
FVA25580-80	DLFC 2" BSP- 2" BSP ASSY 80 GPM 3150/3900	23	590	NO	222,84
FVA25580-85	DLFC 2" BSP- 2" BSP ASSY 85 GPM 3150/3900	23	590	NO	251,01
FVA25580-90	DLFC 2" BSP- 2" BSP ASSY 90 GPM 3150/3900	23	590	NO	222,84
FVA25580-95	DLFC 2" BSP- 2" BSP ASSY 95 GPM 3150/3900	23	590	NO	N.A.
FVA25580-ALL	DLFC KIT 2" 3150/3900 30 TO 100 GPM 3150/3900	23	590	NO	442,96
FVA29098	KIT METER SS ASSY 2" NT/NXT	23	590	NO	1108,79
FVA28295	KIT METER ELECTRONIC 2" PLASTIC 2910/3150	23	590	OK	772,37
FVA61763	KIT COMMUNICATION CABLE NXT/NXT2	23	590	NO	66,53



## Fleck Industrial Valves Series 3900



- Made in European Union (Italy)
- The 3900 is a fully adjustable 3- or 5-cycle control valve for an efficient and reliable water treatment, suitable for industrial and multivalve systems, for filtration and softening applications.
- Valve body in brass.
- It is a valve characterized by considerable strength, with a cover non-corrosive, water and UV resistant.
- Down/Up Flow regeneration, according to the models.
- Operating Flow Rate = 57 m<sup>3</sup>/h (250 gpm)
- Backwash Flow Rate = 24 m<sup>3</sup>/h (105 gpm)
- Regeneration: Chronometric: 7 or 12 days - Electronics
- Complete with European Transformer 230-24 V / 50/60 Hz 60 VA
- NOTE: Upper screen is not included, to be ordered separately.
- Adapter for top or side mount is not included, to be ordered separately. For the filter valves, the DLFC is not included, to order separately.
- For NXT multi valve systems, please order (quantity = n-1 valves) the cable kit NXT (ref.FVA61763) separately;
- OPTIONS: NBP piston - Filter - NXT electronics
- Mechanical controllers for simplex and duplex
- Hot water - mechanical only 65° C volumetric or 82° C chronometric.

Ref.	Description	Fam.	Subfam.	Disp. Stock	Price Euro
FV390MC-601	FLECK VALV. 3900/1800 12 DAYS NBP 7-50-10	23	550	NO	9406,97
FV390NC-602	FLECK VALV. 3900/1800 NXT 6-35-5	23	550	NO	9815,87
FV390NC-603	FLECK VALV. 3900/1800 NXT 7-50-10	23	550	NO	N.A.
FV390NC-605	FLECK VALV. 3900/1800 NXT NBP 5-25-5	23	550	NO	8923,52
FV390NC-606	FLECK VALV. 3900/1800 NXT NBP 6-35-5	23	550	NO	8923,52
FV390NC-607	FLECK VALV. 3900/1800 NXT NBP 7-50-10	23	550	NO	8583,56

Characteristics	
Tank size (recommended):	Softening System = 30" ÷ 42" (30" ÷ 63" side mount) Filter = 24" ÷ 42"
In/Out Connections	Threaded 3" BSP
Pressure vessel connection	Flanged 6" or Side mount
Drain line connection	Threaded 2" NPT or BSP
Brine line connection (1800)	Threaded 1" NPT
Distributor tube O. D. diameter	90 mm
Operating pressure	1,8 ÷ 8,5 bar
Water Temperature	1 ÷ 40 °C
Protection class	IP22
Height (from top of tank)	381 mm

Box: WxLxH	Box: Q.ty	Box: Weight	Pallet: WxLxH	Pallet: Q.ty	Pallet: Weight

Certificates	Manufacturer	Sectors
DM174-2004 CE	Pentair	Industrial



Ref	Description	Fam.	Subfam.	Disp. Stock	Price Euro
FV390NC-608	FLECK VALV. 3900/1800 NXT NBP 8-70-10	23	550	NO	8583,56
FV390NC-610	FLECK VALV. 3900/1800 NXT NBP 10-100-10	23	550	NO	8583,56
FV390XC-600	FLECK VALV. 3900/1800 NOTIMER NBP 5-25-5	23	550	NO	8552,30
FV390XC-602	FLECK VALV. 3900/1800 NOTIMER NBP 7-50-10	23	550	NO	9314,41
FV390XC-603	FLECK VALV. 3900/1800 NOTIMER NOPLUG NBP 7-50-10	23	550	NO	8367,31
FV390XC-604	FLECK VALV. 3900/1800 NOTIMER NOPLUG NBP 7-60-10	23	550	NO	N.A.
FV390XC-605	FLECK VALV. 3900/1800 NOTIMER NOPLUG NBP 8-70-10	23	550	NO	N.A.
FV390XC-606	FLECK VALV. 3900/1800 NOTIMER NBP 10-100-10	23	550	NO	8552,30

Box: WxLxH	Box: Q.ty	Box: Weight	Pallet: WxLxH	Pallet: Q.ty	Pallet: Weight

Certificates	Manufacturer	Sectors
DM174-2004 CE	Pentair	Industrial

### Accessories

Ref.	Description	Fam.	Subfam.	Disp. Stock	Price Euro
FVA16258	FLOW DISPERSER 3" 3900	23	590	NO	221,47
FVA18925	TANK ADAPT ASSY 3900 TM FLANGED 6"	23	590	OK	839,35
FVA18926	TANK ADAPT ASSY 3900 SM	23	590	NO	1910,22
FVA25580-100	DLFC 2" BSP- 2" BSP ASSY 100 GPM 3150/3900	23	590	NO	222,84
FVA25580-20	DLFC 2" BSP- 2" BSP ASSY 20 GPM 3150/3900	23	590	NO	222,84
FVA25580-25	DLFC 2" BSP- 2" BSP ASSY 25 GPM 3150/3900	23	590	NO	222,84
FVA25580-30	DLFC 2" BSP- 2" BSP ASSY 30 GPM 3150/3900	23	590	NO	222,84
FVA25580-35	DLFC 2" BSP- 2" BSP ASSY 35 GPM 3150/3900	23	590	NO	222,84
FVA25580-40	DLFC 2" BSP- 2" BSP ASSY 40 GPM 3150/3900	23	590	NO	222,84
FVA25580-45	DLFC 2" BSP- 2" BSP ASSY 45 GPM 3150/3900	23	590	NO	222,84
FVA25580-50	DLFC 2" BSP- 2" BSP ASSY 50 GPM 3150/3900	23	590	NO	222,84
FVA25580-55	DLFC 2" BSP- 2" BSP ASSY 55 GPM 3150/3900	23	590	NO	222,84
FVA25580-60	DLFC 2" BSP- 2" BSP ASSY 60 GPM 3150/3900	23	590	NO	N.A.
FVA25580-65	DLFC 2" BSP- 2" BSP ASSY 65 GPM 3150/3900	23	590	NO	222,84
FVA25580-70	DLFC 2" BSP- 2" BSP ASSY 70 GPM 3150/3900	23	590	NO	222,84
FVA25580-75	DLFC 2" BSP- 2" BSP ASSY 75 GPM 3150/3900	23	590	NO	222,84
FVA25580-80	DLFC 2" BSP- 2" BSP ASSY 80 GPM 3150/3900	23	590	NO	222,84
FVA25580-85	DLFC 2" BSP- 2" BSP ASSY 85 GPM 3150/3900	23	590	NO	251,01
FVA25580-90	DLFC 2" BSP- 2" BSP ASSY 90 GPM 3150/3900	23	590	NO	222,84
FVA25580-95	DLFC 2" BSP- 2" BSP ASSY 95 GPM 3150/3900	23	590	NO	N.A.
FVA25580-ALL	DLFC KIT 2" 3150/3900 30 TO 100 GPM 3150/3900	23	590	NO	442,96
FVA29082	KIT METER ASSY 3" SS NXT 3900	23	590	OK	2275,99
FVA61763	KIT COMMUNICATION CABLE NXT/NXT2	23	590	NO	66,53



## CLACK VALVE WS1TC

### CONTROL VALVE



- Top mount control valve suited for automatic residential water softening or filtration system;
- Single valve, available also for twin alternating, twin parallel and multitank systems;
- Transformer, Drain Line Flow Control (DLFC) washer, Top Distributor and accessories not included, to order separately;
- More informative 4 digit LCD Display with Status Indicators;
- Solid state microprocessor with easy access front panel settings;
- Backwash and brining ability to 21" diameter tanks;
- Front panel display for time of day, days until next regeneration;
- Days between regeneration feature: 1-99 days standard; 7-day optional;
- Double backwash feature offers optimum regeneration, cleaning ability and efficiency;
- 10 selectable pre-programmed regeneration cycles;
- Coin Cell Lithium battery back-up with a 8 hour carry over;
- Auto detection of 50/60 Hz line frequency, with automatic 12/24 hour time keeping formats;
- Level VI 15-volt output DC power supply provides safe and easy installation;
- Post treated water regenerant refill;
- Reliable and proven DC drive;
- Certified to NSF/ANSI 44, 61 and 372 ;
- If you need a different injector Tank Size, please order separately the relevant Injector and the ref. V4052-01 (Interconnect Kit).

Ref.	Description	Fam.	Subfam.	Disp. Stock	Price Euro
V1TCDTD-M03	WS1TC VALVE DN T I-D W/MIXING VALVE	15	720	NO	498,38
V1TCDTE-03	WS1TC VALVE DN T I-E	15	720	NO	481,29
V1TCDTE-M03	WS1TC VALVE DN T I-E W/MIXING VALVE	15	720	OK	529,54
V1TCBTZ-03	WS1TC VALVE BW T I-Z	15	720	OK	460,88

Ref.	Softening System/Filter	Injector Tank Size	Downflow/Upflow	Meter	Mixing Valve
V1TCDTD-M03	Softening System	9"	Downflow	Not included	Included
V1TCDTE-03	Softening System	10"	Downflow	Not included	Not included
V1TCDTE-M03	Softening System	10"	Downflow	Not included	included
V1TCBTZ-03	Filter	N/A	Backwash	Not included	Not included

**NOTE:** if you need a pressure vessel with a different diameter , you have to order one of the available control valves in our catalogue and the matching injector, as indicated in section "ACCESSORIES".

**NOTE:** Controls listed are priced without a power cord or transformer. For AC Adapter (Transformer) selection see "ACCESSORIES" section (V3186-XX). Drain Line Flow Controls (DLFC) washer is not included. Please order separately: reference order number V3162-007 through V3162-100. 1,05" Top Distributor is not included. Please order separately: reference order number AV071.

Box: WxLxH	Box: Q.ty	Box: Weight	Pallet: WxLxH	Pallet: Q.ty	Pallet: Weight
	4			160	

Certificates	Manufacturer	Sectors
DM174-2004, ACS, CE	Clack	Domestic



SPECIFIC		FLOW RATES	
Inlet/Outlet Fittings (to order separately)	¾" to 1,25" male BSPT	Service $\Delta p$ 1 bar/15 psi drop (includes bypass)	6,12 m <sup>3</sup> /h
Cycles	Up to 6	Backwash $\Delta p$ 1,7 bar/25 psi drop (includes bypass)	6,12 m <sup>3</sup> /h
Valve Material	Noryl or equivalent	Cv Service	7,0
Regeneration	Downflow or Upflow	Cv Backwash	5,4

OPERATING PRESSURES		OPERATING TEMPERATURES	
Minimum/Maximum	1,4 ÷ 8,6 bar	Minimum/Maximum	4° ÷ 43° C

Distributor Pilot	1,05"
Drain Line	¾" or 1" NPT
Brine Line	¾" or ½" OD Poly Tube
Mounting Base	2 ½" - 8 NPSM
Distributor tube length above pressure vessel	+/- 13 mm
Weight	2 kg

ELECTRICAL SPECIFICATIONS		TANK APPLICATIONS	
Supply Voltage	200V AC to 240V AC	Water Softener	6" ÷ 21" diameter
Supply Frequency	50/60 Hz	Water Filter	6" ÷ 21" diameter
Output Voltage	15VDC		
Output Current	500 mA		

CYCLES OF OPERATION (Softener Downflow)	
Backwash 1st (upflow)	3 ÷ 12 minutes
Regenerate Draw/Slow Rinse (downflow)	50 ÷ 70 minutes
Backwash 2nd (upflow)	3 ÷ 12 minutes
Fast Rinse (downflow)	3 ÷ 8 minutes
Regenerant Refill (in service with treated water)	As Programmed
Service (downflow)	

Options: Backwash Filter, Bypass, Weather Cover

Compatible with the following typical concentration of regenerants or chemicals: Sodium chloride, potassium chloride, potassium permanganate, sodium bisulfite, chlorine and chloramines



## CLACK VALVE TT1EI

### TWIN ALTERNATING CONTROL VALVE



- Transformer, Drain Line Flow Control (DLFC) washer, Top Distributor and accessories not included, to order separately;
- Solid state microprocessor with easy access front panel setting;
- Front panel display for time of day, days until next regeneration, volume remaining, current flow rate and total volume used (Totalizer) and Tank in Service Indication;
- Four methods to initiate regeneration; meter immediate, meter delayed, time clock delayed or pressure differential;
- Optional double backwash feature offers optimum regeneration, cleaning ability and efficiency;
- Fully adjustable cycle times with 6-cycle control delivers controlled backwash, downflow brining/slow rinse, second backwash, fast rinse, refill and downflow service;
- Coin Cell Lithium battery back-up with an 8 hour carry over;
- Level VI 15-volt output DC power supply provides safe and easy installation;
- Control valve design provides optimum service and backwash rates;
- Post treated water regenerant refill;
- Reliable and proven DC drive;
- Certified to NSF/ANSI 44, 61 and 372;
- If you need a different Injector Tank Size, please order separately the relevant Injector and the ref. V4052-01 (Interconnect Kit).

Ref	Description	Fam.	Subfam.	Disp. Stock	Price Euro
VTT1EIDME-03	TT1EI VALVE DN M I-E	15	710	NO	1242,44

Ref	Softening System/Filter	Ø Injector Tank Size	Downflow/Upflow	Meter	Mixing Valve
VTT1EIDME-03	Softening System	10"	Downflow	included	Not included

**NOTE:** Controls listed are priced without a power cord or transformer. For AC Adapter (Transformer) selection see "ACCESSORIES" section (V3186-XX). Drain Line Flow Controls (DLFC) washer is not included. Please order separately: reference order number V3162-007 through V3162-100. 1,05" Top Distributors are not included. Please order separately: reference order number AV071.

Box: WxLxH	Box: Q.ty	Box: Weight	Pallet: WxLxH	Pallet: Q.ty	Pallet: Weight
	1				

Certificates	Manufacturer	Sectors
DM174-2004, ACS, CE	Clack	Domestic



## WS1CE CLACK VALVES

### CONTROL VALVE



- Top mount single control valve with programmable multi-language, suited for automatic residential water softening;
- Transformer, Drain Line Flow Control (DLFC) washer, Top Distributor and accessories not included, to order separately;
- Solid state microprocessor with easy access front panel settings;
- Four methods to initiate regeneration; meter immediate, meter delayed, time clock delayed or pressure differential;
- Program in ppm, French degrees, German degrees, or cubic meters;
- Fully programmable regeneration cycle sequence (maximum 9);
- Programmable regeneration cycle times;
- Days override feature; 1 - 28 days available;
- Stores system configuration and operation data in non volatile memory;
- Coin Cell Lithium battery back-up with a 8 hours service life and proved drive engine;
- Level VI 15-volt output DC power supply provides safe and easy installation;
- Control valve design provides optimum service and backwash rates;
- Proportion brining available in upflow version;
- Low salt alarm;
- 24-hour clock;
- Customizable text line (company name, phone, other);
- Additional relay and MAV/NHBP outputs for regeneration with water from alternative source;
- Display with backlight (blue).

Ref.	Description	Fam.	Subfam.	Disp. Stock	Price Euro
V1CEDME-03	WS1CE VALVE DN M I-E	15	704	OK	689,86
V1CEDME-M03	WS1CE VALVE DN M I-E W/MIXING VALVE	15	704	OK	730,35
V1CEUME-M03	WS1CE VALVE UP M I-E W/MIXING VALVE	15	704	OK	754,61

Ref.	Softening System/Filter	Injector Tank Size	Downflow/Upflow	Meter	Mixing Valve
V1CEDME-03	Softening System	10"	Downflow	Included	Not included
V1CEDME-M03	Softening System	10"	Downflow	Included	Included
V1CEUME-M03	Softening System	10"	Uplflow	Included	Included

• **NOTE:**Controls listed are priced without a power cord or transformer. For AC Adapter (Transformer) selection see "ACCESSORIES" section (V3186-XX). Drain Line Flow Controls (DLFC) washer is not included. Please order separately: reference order number V3162-007 through V3162-100. 1,05" Top Distributor is not included. Please order separately: reference order number AV071.

Box: WxLxH	Box: Q.ty	Box: Weight	Pallet: WxLxH	Pallet: Q.ty	Pallet: Weight
	4			160	

Certificates	Manufacturer	Sectors
DM174-2004 , CE	Clack	Domestic



SPECIFIC		FLOW RATES	
Inlet/Outlet Fittings (to order separately)	¾" to 1,25" male BSPT	Service $\Delta p$ 15 psi/1 bar drop (includes bypass and meter)	6,12 m <sup>3</sup> /h
Cycles	Up to 9	Backwash $\Delta p$ 25 psi/1.7 bar drop (includes bypass)	6,12 m <sup>3</sup> /h
Valve Material	Noryl or equivalent	Cv Service	7,0
Regeneration	Downflow / Upflow	Cv Backwash	5,4

OPERATING PRESSURES		OPERATING TEMPERATURES	
Minimum/Maximum	1,4 ÷ 8,6 bar	Minimum/Maximum	4° ÷ 43° C

METER			
Accuracy	± 5%	Distributor Pilot	1,05"
Flow Rate Range	0,95 ÷ 102 lpm	Drain Line	¾" or 1" NPT
Volume Range	0,02 ÷ 5.700 m <sup>3</sup>	Brine Line	3/8" or ½" OD Poly Tube
Totalizer	1 - 99.999 m <sup>3</sup>	Mounting Base	2 ½" - 8 NPSM
		Distributor tube length above pressure vessel	+/- 13 mm
		Weight	2 kg

ELECTRICAL SPECIFICATIONS		TANK APPLICATIONS	
Supply Voltage	da 200V AC a 240V AC	Water Softener	6" ÷ 21" diameter
Supply Frequency	50/60 Hz		
Output Voltage	15VDC		
Output Current	500 mA		

CYCLES OF OPERATION	
Choose up to nine regeneration cycles, in any order, with a wide range of available values	
Backwash	1 ÷ 120 minutes
Rinse	1 ÷ 120 minutes
Pause (service)	1 ÷ 480 minutes
Brine (co-current)	1 ÷ 180 minutes
Brine (counter-current)	1 ÷ 180 minutes

Options: Backwash Filter, Bypass, Weather Cover

Compatible with the following typical concentrations of regenerants or chemicals: Sodium chloride, potassium chloride, potassium permanganate, sodium bisulfite, chlorine and chloramines





## CLACK VALVE WS1CI

### CONTROL VALVE



- Top mount control valve suited for automatic residential water softening or filtration system
- Single valve, available also for twin alternating, twin parallel and multitank systems
- Transformer, Drain Line Flow Control (DLFC) washer, Top Distributor and accessories not included, to order separately
- Solid state microprocessor with easy access front panel settings
- Four methods to initiate regeneration; meter immediate, meter delayed, time clock delayed or pressure differential
- Program in ppm, French degrees, German degrees, or cubic meters
- Fully programmable regeneration cycle sequence (maximum 9)
- Programmable regeneration cycle times
- Days override feature; 1 - 28 days available
- Stores system configuration and operation data in nonvolatile memor
- Coin Cell Lithium battery back-up with a 24 hour carry over
- Level VI 15-volt output DC power supply provides safe and easy installation
- Control valve design provides optimum service and backwash rates
- Pre or Post treated water regenerant refill
- Mixing valve option available
- Low salt alarm
- 24-hour clock
- Reliable and proven DC drive
- Certified to NSF/ANSI 44, 61 and 372

Ref	Description	Fam.	Subfam.	Disp. Stock	Price Euro
V1CIDMC-03	WS1CI VALVE DN M I-C	15	700	OK	669,75
V1CIDMC-M03	WS1CI VALVE DN M I-C W/MIXING VALVE	15	700	OK	717,92
V1CIDMD-M03	WS1CI VALVE DN M I-D W/MIXING VALVE	15	700	OK	717,92
V1CIDME-03	WS1CI VALVE DN M I- E	15	700	OK	650,61
V1CIDME-M03	WS1CI VALVE DN M I- E W/MIXING VALVE	15	700	OK	717,92
V1CIUMC-M03	WS1CI VALVE UP M I-C W/MIXING VALVE	15	700	OK	743,55
V1CIDTE-03	WS1CI VALVE DN T I-E	15	700	NO	626,35
V1CIDTE-M03	WS1CI VALVE DN T I-E W/MIXING VALVE	15	700	NO	674,57
V1CIBMZ-03	WS1CI VALVE BW M I-Z	15	700	NO	649,16
V1CIBTZ-03	WS1CI VALVE BW T I-Z	15	700	OK	605,80



## CLACK VALVE WS1CI

Ref	Softening System/Filter	Injector Tank Size	Downflow/Upflow	Meter	Mixing Valve
V1CIDMC-03	Softening System	8"	Downflow	included	Not included
V1CIDMC-M03	Softening System	8"	Downflow	included	included
V1CIDMD-M03	Softening System	9"	Downflow	included	included
V1CIDME-03	Softening System	10"	Downflow	included	Not included
V1CIDME-M03	Softening System	10"	Downflow	included	included
V1CIUMC-M03	Softening System	10"	Upflow	included	included
V1CIDTE-03	Softening System	10"	Downflow	Not included	Not included
V1CIDTE-M03	Softening System	10"	Downflow	Not included	included
V1CIBMZ-03	Filter	N/A	Backwash	included	Not included
V1CIBTZ-03	Filter	N/A	Backwash	Not included	Not included

- **NOTE:** if you need a pressure vessel with a different diameter , you have to order one of the available control valves in our catalogue and the matching injector, as indicated in section "ACCESSORIES".
- **NOTE:**Controls listed are priced without a power cord or transformer. For AC Adapter (Transformer) selection see "ACCESSORIES" section (V3186-XX). Drain Line Flow Controls (DLFC) washer is not included. Please order separately: reference order number V3162-007 through V3162-100. 1,05" Top Distributor is not included. Please order separately: reference order number AV071.

Box: WxLxH	Box: Q.ty	Box: Weight	Pallet: WxLxH	Pallet: Q.ty	Pallet: Weight
	4			160	

Certificates	Manufacturer	Sectors
DM174-2004, ACS, CE	Clack	Domestic



## CLACK VALVE WS1CI

SPECIFIC		FLOW RATES	
Inlet/Outlet Fittings (to order separately)	¾" to 1,25" male BSPT	Service $\Delta p$ 15 psi/1 bar drop (includes bypass and meter)	6,12 m <sup>3</sup> /h
Cycles	Up to 9	Backwash $\Delta p$ 25 psi/1.7 bar drop (includes bypass)	6,12 m <sup>3</sup> /h
Valve Material	Noryl or equivalent	Cv Service	7,0
Regeneration	Downflow or Upflow	Cv Backwash	5,4

OPERATING PRESSURES		OPERATING TEMPERATURES	
Minimum/Maximum	1,4 ÷ 8,6 bar	Minimum/Maximum	4° ÷ 43° C

METER			
Accuracy	± 5%	Distributor Pilot	1,05"
Flow Rate Range	0,95 ÷ 102 lpm	Drain Line	¾" or 1" NPT
Volume Range	0,02 ÷ 5.700 m <sup>3</sup>	Brine Line	3/8" or ½" OD Poly Tube
Totalizer	1 - 99.999 m <sup>3</sup>	Mounting Base	2 ½" - 8 NPSM
		Distributor tube length above pressure vessel	+/- 13 mm
		Weight	2 kg

ELECTRICAL SPECIFICATIONS		TANK APPLICATIONS	
Supply Voltage	da 200V AC a 240V AC	Water Softener	6" ÷ 21" diameter
Supply Frequency	50/60 Hz	Water Filter	6" ÷ 21" diameter
Output Voltage	15VDC		
Output Current	500 mA		

CYCLES OF OPERATION	
Choose up to nine regeneration cycles, in any order, with a wide range of available values	
Backwash	1 ÷ 120 minutes
Rinse	1 ÷ 120 minutes
Pause (service)	1 ÷ 480 minutes
Brine (co-current)	1 ÷ 180 minutes
Brine (counter-current)	1 ÷ 180 minutes
Refill (softener)	0,05 ÷ 90,00 kg
Refill (filter)	0,2 ÷ 76,0 liters

Options: Backwash Filter, Bypass, Weather Cover

Compatible with the following typical concentrations of regenerants or chemicals: Sodium chloride, potassium chloride, potassium permanganate, sodium bisulfite, chlorine and chloramines



## CLACK VALVE TT1CI

### CONTROL VALVE



- Transformer, Drain Line Flow Control (DLFC) washer, Top Distributor and accessories not included, to order separately;
- Solid state microprocessor with easy access front panel settings
- Four methods to initiate regeneration; meter immediate, meter delayed, time clock delayed or pressure differential
- Program in ppm, French degrees, German degrees, or cubic meters
- Fully programmable regeneration cycle sequence (maximum 9)
- Programmable regeneration cycle times
- Days override feature; 1 - 28 days available
- Stores system configuration and operation data in nonvolatile memory
- Coin Cell Lithium battery back-up with a 24 hour carry over
- Level VI 15-volt output DC power supply provides safe and easy installation
- Control valve design provides optimum service and backwash rates
- Pre or Post treated water regenerant refill
- Mixing valve option available
- Low salt alarm
- 24-hour clock
- Reliable and proven DC drive
- Certified to NSF/ANSI 44, 61 and 372

If you need a different Injector Tank Size, please order separately the relevant Injector and the ref. V4052-01 (Interconnect Kit)

Ref	Description	Fam.	Subfam.	Disp. Stock	Price Euro
VTT1CIDME-03	TT1CI VALVE DN M I-E	15	700	OK	1261,14

Ref	Softening System/Filter	Ø Injector Tank Size	Downflow/Upflow	Meter	Mixing Valve
VTT1CIDME-03	Softening System	10"	Downflow	included	Not included

**NOTE:** Controls listed are priced without a power cord or transformer. For AC Adapter (Transformer) selection see "ACCESSORIES" section (V3186-XX). Drain Line Flow Controls (DLFC) washer is not included. Please order separately: reference order number V3162-007 through V3162-100. 1.05" Top Distributors are not included. Please order separately: reference order number AV071.

Box: WxLxH	Box: Q.ty	Box: Weight	Pallet: WxLxH	Pallet: Q.ty	Pallet: Weight
	1				

Certificates	Manufacturer	Sectors
DM174-2004, ACS, CE	Clack	Domestic



## CLACK VALVE WS125TC

### CONTROL VALVE



- Top mount control valve suited for automatic residential water softening or filtration system
- Single valve, available also for twin alternating, twin parallel and multitank systems
- Transformer, Drain Line Flow Control (DLFC) washer, Top Distributor and accessories not included, to order separately
- More informative 4 digit LCD Display with Status Indicators
- Solid state microprocessor with easy access front panel setting
- Front panel display for time of day, days until next regeneration
- Days between regeneration feature: 1-99 days standard; 7-day optional
- Double backwash feature offers optimum regeneration, cleaning ability and efficiency
- 10 selectable pre-programmed regeneration cycles
- Coin Cell Lithium battery back-up with a 8 hour carry over
- Auto detection of 50/60 Hz line frequency, with automatic 12/24 hour time keeping formats
- Level VI 15-volt output DC power supply provides safe and easy installation
- Post treated water regenerant refill
- Reliable and proven DC drive
- Certified to NSF/ANSI 44, 61 and 372

Ref	Description	Fam.	Subfam.	Disp. Stock	Price Euro
V125CDTE-08	WS125TC VALVE DN T I-E	15	750	NO	605,48
V125CDTE-M08	WS125TC VALVE DN T I-E W/MIXING VALVE	15	750	NO	653,69
V125CBTZ-08	WS125TC VALVE BW T I-Z	15	750	OK	585,03

Ref	Softening System/Filter	Ø Injector Tank Size	Downflow/Upflow	Meter	Mixing Valve
V125CDTE-08	Softening System	10"	Downflow	Not included	Not included
V125CDTE-M08	Softening System	10"	Downflow	Not included	included
V125CBTZ-08	Filter	N/A	Backwash	Not included	Not included

**NOTE:** if you need a pressure vessel with a different diameter , you have to order one of the available control valves in our catalogue and the matching injector, as indicated in section "ACCESSORIES".

**NOTE:** Controls listed are priced without a power cord or transformer. For AC Adapter (Transformer) selection see "ACCESSORIES" section (V3186-XX). Drain Line Flow Controls (DLFC) washer is not included. Please order separately: reference order number V3162-007 through V3162-100.32 mm Top Distributor is not included. Please order separately: reference order number V-D1203-03.

Box: WxLxH	Box: Q.ty	Box: Weight	Pallet: WxLxH	Pallet: Q.ty	Pallet: Weight
	2			96	

Certificates	Manufacturer	Sectors
DM174-2004, ACS, CE	Clack	Domestic



## CLACK VALVE WS125TC

SPECIFIC		FLOW RATES	
Inlet/Outlet Fittings (to order separately)	1" to 1,5" male BSPT	Service $\Delta p$ 15 psi drop	34 gpm
Cycles	6	Backwash $\Delta p$ 25 psi drop	32 gpm
Valve Material	Noryl or equivalent	Cv Service	8,8
Regeneration	Downflow	Cv Backwash	6,4

OPERATING PRESSURES		TEMPERATURA DI ESERCIZIO	
Minimum/Maximum	20 psi - 125 psi	Minimum/Maximum	4° ÷ 43° C

Distributor Pilot	32 mm OD Pipe
Drain Line	¾" or 1" NPT
Brine Line	3/8" or ½" OD Poly Tube
Mounting Base	2½" 8 NPSM
Distributor tube length above pressure vessel	+6 / - 13 mm
Weight	2 kg

ELECTRICAL SPECIFICATIONS		TANK APPLICATIONS	
Supply Voltage	da 200V AC a 240V AC	Water Softener	6" ÷ 21" diameter
Supply Frequency	50/60 Hz	Water Filter	6" ÷ 24" diameter
Output Voltage	15VDC		
Output Current	500 mA		

CYCLES OF OPERATION (Softener Downflow)	
Backwash 1st(upflow)	3 ÷ 12 minutes
Regenerate Draw/Slow Rinse (downflow)	50 ÷ 70 minutes
Backwash 2nd (upflow)	3 ÷ 12 minutes
Fast Rinse (downflow)	3 ÷ 8 minutes
Regenerant Refill (in service with treated water)	As Programmed
Service (downflow)	

Options: Backwash Filter, Bypass, Weather Cover

Compatible with the following typical concentration of regenerants or chemicals: Sodium chloride, potassium chloride, potassium permanganate, sodium bisulfite, chlorine and chloramines



## CLACK VALVE WS125CI

### CONTROL VALVE



- Top mount control valve suited for automatic residential water softening or filtration system
- Single valve, available also for twin alternating, twin parallel and multitank systems
- Transformer, Drain Line Flow Control (DLFC) washer, Top Distributor and accessories not included, to order separately
- Solid state microprocessor with easy access front panel settings.
- Four methods to initiate regeneration; meter immediate, meter delayed, time clock delayed or pressure differential
- Program in ppm, French degrees, German degrees, or cubic meters
- Fully programmable regeneration cycle sequence (maximum 9)
- Programmable regeneration cycle times
- Days override feature; 1 - 28 days available
- Stores system configuration and operation data in nonvolatile memory
- Coin Cell Lithium battery back-up with a 24 hour carry over
- Level VI 15-volt output DC power supply provides safe and easy installation
- Control valve design provides optimum service and backwash rates
- Pre or Post treated water regenerant refill
- Mixing valve option available
- Low salt alarm
- 24-hour clock
- Reliable and proven DC drive
- Certified to NSF/ANSI 44, 61 and 37

Ref	Description	Fam.	Subfam.	Disp. Stock	Price Euro
V125CIDME-08	WS125CI VALVE DN M I-E	15	730	OK	793,90
V125CIDME-M08	WS125CI VALVE DN M I-E W/MIXING VALVE	15	730	OK	842,08
V125CIDTE-M08	WS125CI VALVE DN T I-E W/MIXING VALVE	15	730	OK	798,72
V125CIDTF-08	WS125CI VALVE DN T I-F	15	730	NO	746,74
V125CIBTZ-08	WS125CI VALVE BW T I-Z	15	730	OK	729,92



## CLACK VALVE WS125CI

Ref.	Softening System/Filter	Ø Injector Tank Size	Downflow/Upflow	Meter	Mixing Valve
V125CIDME-08	Softening System	10"	Downflow	Included	Not included
V125CIDME-M08	Softening System	10"	Downflow	Included	Included
V125CIDTE-M08	Softening System	10"	Downflow	Not included	Included
V125CIDTF-08	Softening System	12"	Downflow	Not included	Not included
V125CIBTZ-08	Filter	N/A	Backwash	Not included	Not included

**NOTE:** if you need a pressure vessel with a different diameter , you have to order one of the available control valves in our catalogue and the matching injector, as indicated in section "ACCESSORIES".

**NOTE:** Controls listed are priced without a power cord or transformer. For AC Adapter (Transformer) selection see "ACCESSORIES" section (V3186-XX). Drain Line Flow Controls (DLFC) washer is not included. Please order separately: reference order number V3162-007 through V3162-100. 32 mm Top Distributor is not included. Please order separately: reference order number V-D1203-03.

Box: WxLxH	Box: Q.ty	Box: Weight	Pallet: WxLxH	Pallet: Q.ty	Pallet: Weight
	2			96	

Certificates	Manufacturer	Sectors
DM174-2004, ACS, CE	Clack	Domestic





## CLACK VALVE WS125CI

SPECIFIC		FLOW RATES	
Inlet/Outlet Fittings (to order separately)	Da 1" a 1,5" male BSPT	Service $\Delta p$ 15 psi/1 bar drop (includes meter)	7,7 m <sup>3</sup> /h
Cycles	Up to 9	Backwash $\Delta p$ 25 psi/1.7 bar drop	7,3 m <sup>3</sup> /h
Valve Material	Noryl or equivalent	CV Service	8,8
Regeneration	Downflow or Upflow	CV Backwash	6,4

OPERATING PRESSURES		OPERATING TEMPERATURES	
Minimum/Maximum	1,4 ÷ 8,6 bar	Minimum/Maximum	4° ÷ 43° C

METER			
Accuracy	± 5%	Distributor Pilot	32 mm OD Pipe
Flow Rate Range.	0,95 ÷ 129 lpm	Drain Line	¾" or 1" NPT
Volume Range	0,02 ÷ 5.700 m <sup>3</sup>	Brine Line	3/8" or ½" OD Poly Tube
Totalizer	1 - 99.999 m <sup>3</sup>	Mounting Base	2½" 8 NPSM
		Distributor tube length above pressure vessel	+6 / -13 mm
		Weight	2 kg

ELECTRICAL SPECIFICATIONS		TANK APPLICATIONS	
Supply Voltage	200V AC to 240V AC	Water Softener	6" ÷ 21" diameter
Supply Frequency	50/60 Hz	Water Filter	6" ÷ 24" diameter
Output Voltage	15VDC		
Output Current	500 mA		

CYCLES OF OPERATION	
Choose up to nine regeneration cycles, in any order, with a wide range of available values:	
Backwash	1 ÷ 120 minutes
Rinse	1 ÷ 120 minutes
Pause (service)	1 ÷ 480 minutes
Brine (co-current)	1 ÷ 180 minutes
Brine (counter-current)	1 ÷ 180 minutes
Refill (softener)	0,05 ÷ 90,00 kg
Refill (filter)	0,2 ÷ 76,0 liters

Options: Backwash Filter, Bypass, Weather Cover

Compatible with the following typical concentrations of regenerants or chemicals: Sodium chloride, potassium chloride, potassium permanganate, sodium bisulfite, chlorine and chloramines



## CLACK VALVE WS15CI P



### CONTROL VALVE

- Transformer, Drain Line Flow Control (DLFC) washer, Top Distributor and accessories not included, to order separately;
- 1.5" top mount control valve suited for mid-size commercial/industrial applications;
- Valve body in Noryl plastic material or equivalent;
- Economical optional meter;
- Solid state microprocessor with easy access front panel settings;
- Front panel display for time of day, days until next regeneration, volume remaining, current flow rate and total volume used (Totalizer);
- Four methods to initiate regeneration; meter immediate, meter delayed, time clock delayed or pressure differential;
- Optional double backwash feature offers optimum regeneration, cleaning ability and efficiency;
- Fully adjustable cycle times with 6-cycle control delivers controlled backwash, downflow brining or upflow brining, slow rinse, second backwash, fast rinse, refill and downflow service;
- Coin Cell Lithium battery back-up with a 8 hour carry over;
- Level VI 15-volt output DC power supply provides safe and easy installation;
- Post treated water regenerant refill;
- 24 hour clock;
- Reliable and proven DC drive;
- Certified to NSF/ANSI 44, 61 and 372;
- If you need a different size of tank, please order separately the specific injector.

Ref	Description	Fam.	Subfa m.	Disp. Stock	Price Euro
VP15CIDTG-05	WS15CI PLASTIC VALVE DN T I-G	25	801	OK	1399,31
VP15CIBTZ-05	WS15CI PLASTIC VALVE BW T I-Z	25	801	OK	1377,72

Certificates	Manufacturer	Sectors

Ref	Softening System/Filter	Ø Injector Tank Size	Downflow/Upflow	Meter	Mixing Valve
VP15CIDTG-05	Softening System	21"	Downflow	Not included	Not included
VP15CIBTZ-05	Filter	N/A	Backwash	Not included	Not included

**NOTE:** Controls listed are priced without a power cord or transformer. For AC Adapter (Transformer) selection see "ACCESSORIES" section (V3186-XX). Drain Line Flow Controls (DLFC) washer is not included. Please order separately. For 3/4" drain fitting (V3158-04), Flow rates 0.07 - 10.0 gpm: reference order numbers V3162-007 through V3162-100. For 1" drain fitting (V3008-05), Flow rates 9.0 - 25.0 gpm: reference order numbers V3190-090 through V3190-250. For 1.25" x 1.5" drain fittings (V3079BSPT), Flow rates 9 to 85 gpm: reference order numbers V3162-007 through V3162-100, and V3190-090 through V3190-250. 50 mm Top Distributor is not included. Please order separately: reference order number V-D1199-11.

Box: WxLxH	Box: Q.ty	Box: Weight	Pallet: WxLxH	Pallet: Q.ty	Pallet: Weight
	1				

### Specific accessories

Ref	Description	Fam.	Subfa m.	Disp. Stock	Price Euro
V3045BSPT	WS15P METER ASSEMBLY BSPT 28' METER CABLE	25	850	OK	688,41
V3045BSPT-15	WS15P METER ASSEMBLY BSPT 15' METER CABLE	25	850	OK	723,36
V3034	WS15 PLASTIC MOTORIZED ALTERNATING VALVE	25	850	OK	544,05
V3035	WS15 PLASTIC NO HARD WATER BYPASS VALVE	25	850	OK	544,05
V4430-02	WS15P FITTING ASSEMBLY QC TO BSPT	25	850	OK	47,61
V4430-03	WS15P FITTING ASSEMBLY QC TO QC	25	850	OK	41,65
V4430-08	WS15P FITTING ASSEMBLY QC TO BSPT ELBOW	25	850	OK	50,01
V4430-09	WS15P FITTING ASSEMBLY QC TO QC ELBOW	25	850	OK	43,78
V4430-04BSPT	WS1.5 PLASTIC DRAIN ELBOW & DLFC RETAINER	25	860	OK	34,83
V4350-15Z	WS1.5 PLASTIC INJECTOR FEED PLUG	25	860	NO	2,67



## CLACK VALVE WS15CI P

SPECIFIC		CONTROL VALVE FLOW RATES	
Inlet/Outlet	1,5" female BSPT	Service $\Delta p$ 1 bar/15 psi drop (includes meter)	13,6 m <sup>3</sup> /h
Cycles	up to 6	Backwash $\Delta p$ 1.7/25 psi bar drop	9,8 m <sup>3</sup> /h
Valve Material	Noryl or equivalent		
Regeneration	Downflow or Upflow		

OPERATING PRESSURES		OPERATING TEMPERATURES	
Minimum/Maximum	1,4 ÷ 8,6 bar	Minimum/Maximum	4° ÷ 43° C

METER SPECIFICATIONS			
Accuracy	± 5%	Distributor Pilot	50 mm
Flow Rate Range	2 ÷ 248 lpm	Drain Line Connection Adapter Included	1.25" Female NPT 3/4" Male NPT Elbow
Volume Range	0,02 ÷ 5.700 m <sup>3</sup>	Brine Line Connection Adapter Included	3/4" Female NPT 1/2" OD Poly Tube Compression
Totalizer	0,001 - 4.294.000 m <sup>3</sup>	Mounting Base	4" - 8 UN
		Distributor tube length above pressure vessel	+/- 13 mm
		Shipping Weight With Meter	4,1 kg

ELECTRICAL SPECIFICATIONS		TANK APPLICATIONS	
Supply Voltage	200V AC to 240V AC	Water Softener	12" ÷ 30" diameter
Supply Frequency	50/60 Hz	Water Filter	12" ÷ 30" diameter
Output Voltage	15VDC		
Output Current	500 mA		

CYCLES OF OPERATION	
Backwash 1st (upflow)	1 ÷ 95 minutes - Backwash 1-9
Regenerate Draw/Slow Rinse (downflow)	1 ÷ 180 minutes - Rinse 1-9
Backwash 2nd (upflow)	1 ÷ 95 minutes
Fast Rinse (downflow)	1 ÷ 95 minutes
Regenerant Refill (in service with treated water)	0,1 ÷ 99 minutes
Service (downflow)	

Options: Backwash Filter. Compatible with the following typical concentrations of regenerants or chemicals: Sodium chloride, potassium chloride, potassium permanganate, sodium bisulfite, chlorine and chloramines.



## CLACK VALVE WS15CI

### CONTROL VALVE



- Transformer, Drain Line Flow Control (DLFC) washer, Top Distributor and accessories not included, to order separately
- 1.5" top mount control valve suited for mid-size commercial/industrial applications
- Epoxy coated lead free brass valve body;
- Economical stainless steel optional meter assembly
- Solid state microprocessor with easy access front panel settings
- Front panel display for time of day, days until next regeneration, volume remaining and current flow
- Four methods to initiate the downflow regeneration; meter immediate, meter delayed, time clock delayed or pressure differential
- Program in ppm, French degrees, German degrees, or cubic meters
- Fully programmable regeneration cycle sequence (maximum 9)
- Programmable regeneration cycle times
- Days override feature; 1-28 days available
- Level VI 15-volt output DC power supply provides safe and easy installation
- Pre or Post treated water regenerant refill;
- Low salt alarm
- 24 hour clock
- Coin Cell Lithium battery back-up with a 24 hour carry over
- Reliable and proven DC drive
- Certified to NSF/ANSI 44, 61 and 372

Ref.	Description	Fam.	Subfam.	Disp. Stock	Price Euro
V15CIDMG-05	WS15CI VALVE DN M I-G	25	800	OK	3041,73
V15CIDTG-05	WS15CI VALVE DN T I-G	25	800	OK	2176,45
V15CIBTZ-05	WS15CI VALVE BW T I-Z	25	800	OK	2143,94

Ref.	Softening System/Filter	Ø Injector Tank Size	Downflow/Upflow	Meter	Mixing Valve
V15CIDMG-05	Softening System	21"	Downflow	included	Not included
V15CIDTG-05	Softening System	21"	Downflow	Not included	Not included
V15CIBTZ-05	Filter	N/A	Backwash	Not included	Not included

**NOTE:** Controls listed are priced without a power cord or transformer. For AC Adapter (Transformer) selection see "ACCESSORIES" section (V3186-XX). Drain Line Flow Controls (DLFC) washer is not included. Please order separately. For 3/4" drain fitting (V3158-04), Flow rates 0.07 - 10.0 gpm: reference order numbers V3162-007 through V3162-100. For 1" drain fitting (V3008-05), Flow rates 9.0 - 25.0 gpm: reference order numbers V3190-090 through V3190-250. For 1.25" x 1.5" drain fittings (V3079BSPT), Flow rates 9 to 85 gpm: reference order numbers V3162-007 through V3162-100, and V3190-090 through V3190-250. 50 mm Top Distributor is not included. Please order separately: reference order numbers V-D1199-11 or V-D1300.

Box: WxLxH	Box: Q.ty	Box: Weight	Pallet: WxLxH	Pallet: Q.ty	Pallet: Weight
	1				

Certificates	Manufacturer	Sectors
DM174-2004 , ACS , CE	Clack	Commercial, Industrial



## CLACK VALVE WS15CI

SPECIFIC		CONTROL VALVE FLOW RATES	
Inlet/Outlet	1,5" female BSPT	Service $\Delta p$ 1 bar/15 psi drop (includes meter)	15,9 m <sup>3</sup> /h
Cycles	Up to 9	Backwash $\Delta p$ 1.7 bar/25 psi drop	11,8 m <sup>3</sup> /h
Valve Material	Lead free brass		
Regeneration	Downflow or Upflow		

OPERATING PRESSURES		OPERATING TEMPERATURES	
Minimum/Maximum	1,4 ÷ 8,6 bar	Minimum/Maximum	4° ÷ 43° C

METER SPECIFICATIONS			
Accuracy	± 5%	Distributor Pilot	50 mm
Flow Rate Range	2 ÷ 248 lpm	Drain Line Connection Adapter Included.	1.25" Female NPT 3/4" Male NPT Elbow
Volume Range	0,02 ÷ 5.700 m <sup>3</sup>	Brine Line Connection Adapter Included	3/4" Female NPT 1/2" OD Poly Tube Compression
Totalizer	1 - 99.000 m <sup>3</sup>	Mounting Base	4" - 8 UN
		Distributor tube length above pressure vessel	+/- 13 mm
		Shipping Weight With Meter	9,5 kg

ELECTRICAL SPECIFICATIONS		TANK APPLICATIONS	
Supply Voltage	200V AC to 240V AC	Water Softener	12" ÷ 30" diameter
Supply Frequency	50/60 Hz	Water Filter	12" ÷ 30" diameter
Output Voltage	15VDC		
Output Current	500 mA		

CYCLES OF OPERATION	
Choose up to nine regeneration cycles, in any order, with a wide range of available values:	
Backwash	1 ÷ 120 minutes
Rinse	1 ÷ 480 minutes
Pause (service).	1 ÷ 180 minutes
Brine (co-current)	0,1 ÷ 180 minutes
Refill (softener)	0,05 ÷ 90,00 kg/.1 - 99 minutes
Refill (filter)	0,2 ÷ 76,0 liters

Options: Backwash Filter, Weather Cover

Compatible with the following typical concentrations of regenerants or chemicals: Sodium chloride, potassium chloride, potassium permanganate, sodium bisulfite, chlorine and chloramines.



## CLACK VALVE WS15TT



### CONTROL VALVE

- Top-mount control valve suitable for residential automatic system softener or filter;
- Valve suitable for duplex alternating system with flowmeter included;
- Transformer, Drain Line Flow Control (DLFC) washer, Top Distributor and accessories not included, to order separately;
- Solid state microprocessor with easy access front panel settings;
- Four methods to initiate regeneration; meter immediate, meter delayed, time clock delayed or pressure differential;
- Program in ppm, French degrees, German degrees, or cubic meters;
- Fully programmable regeneration cycle sequence (maximum 9);
- Programmable regeneration cycle times;
- Days override feature; 1 - 28 days available;
- Stores system configuration and operation data in nonvolatile memory;
- Coin Cell Lithium battery back-up with a 8 hour carry over;
- Level VI 15-volt output DC power supply provides safe and easy installation;
- Control valve design provides optimum service and backwash rates;
- Pre or Post treated water regenerant refill;
- Mixing valve option available;
- Low salt alarm;
- 24-hour clock;
- Reliable and proven DC drive;
- Certified to NSF/ANSI 44, 61 and 372.

Ref	Description	Fam.	Subfam.	Disp. Stock	Price Euro
VT15CIDME-05	TT15CI PLASTIC VALVE DN M I-E	25	800	OK	3635,11

Ref	Softening System/Filter	Ø Injector Tank Size	Downflow/Upflow	Meter	Mixing Valve
VT15CIDME-05	Softening System	16"	Downflow	included	Not included

**NOTE:** Controls listed are priced without a power cord or transformer. For AC Adapter (Transformer) selection see "ACCESSORIES" section (V3186-XX). Drain Line Flow Controls (DLFC) washer is not included. Please order separately: reference order number V3162-007 through V3162-100. 1.05" Top Distributors are not included. Please order separately: reference order number AV071.

Box: WxLxH	Box: Q.ty	Box: Weight	Pallet: WxLxH	Pallet: Q.ty	Pallet: Weight
	1				

Certificates	Manufacturer	Sectors
CE	Clack	

### Specific accessories

Ref	Description	Fam.	Subfam.	Disp. Stock	Price Euro
V4430-02	WS15P FITTING ASSEMBLY QC TO BSPT	25	850	OK	47,61
V4430-03	WS15P FITTING ASSEMBLY QC TO QC	25	850	OK	41,65
V4430-08	WS15P FITTING ASSEMBLY QC TO BSPT ELBOW	25	850	OK	50,01
V4430-09	WS15P FITTING ASSEMBLY QC TO QC ELBOW	25	850	OK	43,78
V4430-04BSPT	WS1.5 PLASTIC DRAIN ELBOW & DLFC RETAINER	25	860	OK	34,83
V4350-15Z	WS1.5 PLASTIC INJECTOR FEED PLUG	25	860	NO	2,67



## CLACK VALVES WS15TT

SPECS		CONTROL VALVE FLOW RATES	
Inlet/Outlet	1,5" female BSPT	Service $\Delta p$ 1 bar/15 psi drop (includes meter)	12,3 m <sup>3</sup> /h
Cycles	up to 6	Backwash $\Delta p$ 1.7/25 psi bar drop	4,9 m <sup>3</sup> /h
Valve Material	Noryl or equivalent		
Regeneration	Downflow or Upflow		

OPERATING PRESSURES		OPERATING TEMPERATURES	
Minimum/Maximum	1,4 ÷ 8,6 bar	Minimum/Maximum	4° ÷ 43° C

METER SPECIFICATIONS			
Accuracy	± 5%	Distributor Pilot	50 mm
Flow Rate Range	2 ÷ 248 lpm	Drain Line Connection	1.5" Female BSPT
Volume Range	0,02 ÷ 5.700 m <sup>3</sup>	Brine Line Connection	1.5" OD poly tube compression
Totalizer	0,001 - 4.294.000 m <sup>3</sup>	Mounting Base	4" - 8 UN
		Distributor tube length above pressure vessel	+/- 13 mm
		Shipping Weight With Meter	8,2 kg

ELECTRICAL SPECIFICATIONS		TANK APPLICATIONS	
Supply Voltage	200V AC to 240V AC	Water Softener	12" ÷ 24" diameter
Supply Frequency	50/60 Hz	Water Filter	12" ÷ 18" diameter
Output Voltage	15VDC		
Output Current	500 mA		

CYCLES OF OPERATION	
Backwash 1st (upflow)	1 ÷ 120 minutes - Backwash 1-9
Regenerate Draw/Slow Rinse (downflow)	1 ÷ 180 minutes - Rinse 1-9
Backwash 2nd (upflow)	1 ÷ 180 minutes
Fast Rinse (downflow)	1 ÷ 120 minutes
Regenerant Refill (in service with treated water)	0,05 ÷ 90 kg
Service (downflow)	

Options: Backwash Filter, Weather Cover

Compatible with the following typical concentrations of regenerants or chemicals: Sodium chloride, potassium chloride, potassium permanganate, sodium bisulfite, chlorine and chloramines.



## CLACK VALVE WS2CI

### CONTROL VALVE



- Transformer, Drain Line Flow Control (DLFC) washer, Top Distributor and accessories not included, to order separately
- 2" Top mount control valve suited for commercial/industrial applications
- Epoxy coated lead free brass valve body
- Economical stainless steel optional meter assembly
- Solid state microprocessor with easy access front panel settings Front panel display for time of day, days until next regeneration, volume remaining and current flow rate
- Four methods to initiate regeneration; meter immediate, meter delayed, time clock delayed or pressure differential
- Program in ppm, French degrees, German degrees, or cubic meters
- Fully programmable regeneration cycle sequence (maximum 9)
- Programmable regeneration cycle times
- Days override feature; 1-28 days available
- Coin Cell Lithium battery back-up with an 24 hour carry over
- Level VI 15-volt output DC power supply provides safe and easy installation
- Pre or Post treated water regenerant refill
- 24 Hour Clock
- Reliable and proven DC drive
- Certified to NSF/ANSI 44, 61 and 372

Ref.	Description	Fam.	Subfam.	Disp. Stock	Price Euro
V2CIDMD-05	WS2CI VALVE DN M I-D	25	820	OK	3957,68
V2CIDTC-05	WS2CI VALVE DN T I-C	25	820	OK	2968,50
V2CIDTD-05	WS2CI VALVE DN T I-D	25	820	OK	2968,50
V2CIBTZ-05	WS2CI VALVE BW T I-Z	25	820	OK	2935,49





## CLACK VALVE WS2CI

Ref.	Softening System/Filter	Ø Injector Tank Size	Downflow/Upflow	Meter	Mixing Valve
V2CIDMD-05	Softening System	30"	Downflow	included	Not included
V2CIDTC-05	Softening System	24"	Downflow	Not included	Not included
V2CIDTD-05	Softening System	30"	Downflow	Not included	Not included
V2CIBTZ-05	Filter	N/A	Backwash	Not included	Not included

**NOTE:** if you need a pressure vessel with a different diameter , you have to order one of the available control valves in our catalogue and the matching injector, as indicated in section "ACCESSORIES".

**NOTE:** Controls listed are priced without a power cord or transformer. For AC Adapter (Transformer) selection see "ACCESSORIES" section (V3186-XX). Drain Line Flow Controls (DLFC) washer is not included. Please order separately. For 3/4" drain fitting (V3158-04), Flow rates 0.07 - 10.0 gpm: reference order numbers V3162-007 through V3162-100. For 1" drain fitting (V3008-05), Flow rates 9.0 - 25.0 gpm: reference order numbers V3190-090 through V3190-250. For 1.5" x 1.5" drain fittings (V3080BSPT), Flow rates 9 to 85 gpm: reference order numbers V3162-007 through V3162-100, and V3190-090 through V3190-250. 50 mm Top Distributor is not included. Please order separately: reference order numbers V-D1199-11 or V-D1300.

Box: WxLxH	Box: Q.ty	Box: Weight	Pallet: WxLxH	Pallet: Q.ty	Pallet: Weight
	1				

Certificates	Manufacturer	Sectors
ACS CE	Clack	Commercial, Industrial



## CLACK VALVE WS2CI

SPECIFIC		CONTROL VALVE FLOW RATES	
Inlet/Outlet	2 female BSPT	Service $\Delta p$ 1 bar/15 psi drop	26,1 m <sup>3</sup> /h
Cycles	Up to 9	Backwash $\Delta p$ 1.7 bar/25 psi drop	18,2 m <sup>3</sup> /h
Valve Material	Lead free brass	Cv Service	29,7
Regeneration	Downflow or Upflow	Cv Backwash	16,0

OPERATING PRESSURES		OPERATING TEMPERATURES	
Minimum/Maximum	1,4 ÷ 8,6 bar	Minimum/Maximum	4° ÷ 43° C

METER SPECIFICATIONS			
Accuracy	± 5%	Distributor Pilot	50 mm OD
Flow Rate Range	5,7 ÷ 568 lpm	Drain line connection	1,5" Female NPT
Volume Range	0,02 ÷ 5.700 m <sup>3</sup>	Brine Line Adapters Included	1" Male NPT elbow, 3/4" x 1" solvent weld elbow and 1/2" OD Poly Tube Compression
Totalizer	1 - 99.999 m <sup>3</sup>	Mounting Base	4" - 8 UN
		Distributor tube length above pressure vessel	+/- 13 mm
		Shipping Weight With Meter	13 kg

ELECTRICAL SPECIFICATIONS		TANK APPLICATIONS	
Supply Voltage	200V AC to 240V AC	Water Softener	12" ÷ 48" diameter
Supply Frequency	50/60 Hz	Water Filter	12" ÷ 36" diameter
Output Voltage	15VDC		
Output Current	500 mA		

CYCLES OF OPERATION Choose up to nine regeneration cycles, in any order, with a wide range of available values	
Backwash	1 ÷ 120 minutes
Rinse	1 ÷ 120 minutes
Pause (service)	1 ÷ 480 minutes
Brine (co-current)	1 ÷ 180 minutes
Refill (softener)	0,1 ÷ 99 minutes
Refill (filter)	0,1 ÷ 99 minutes

Options: Backwash Filter. Compatible with the following typical concentrations of regenerants or chemicals: Sodium chloride, potassium chloride, potassium permanganate, sodium bisulfite, chlorine and chloramines



## CLACK VALVES WS2CI P

### CONTROL VALVE



- Transformer, Drain Line Flow Control (DLFC) washer, Top Distributor and accessories not included, to order separately;
- 2" Top mount control valve suited for commercial/industrial applications;
- Valve body in Noryl plastic material or equivalent;
- Plastic meter assembly optional;
- Solid state microprocessor with easy access front panel settings Front panel display for time of day, days until next regeneration, volume remaining and current flow rate;
- Four methods to initiate regeneration; meter immediate, meter delayed, time clock delayed or pressure differential;
- Program in ppm, French degrees, German degrees, or cubic meters;
- Fully programmable regeneration cycle sequence (maximum 9);
- Programmable regeneration cycle times;
- Days override feature; 1-28 days available;
- Coin Cell Lithium battery back-up with an 24 hour carry over;
- Level VI 15-volt output DC power supply provides safe and easy installation;
- Pre or Post treated water regenerant refill;
- 24 Hour Clock;
- Reliable and proven DC drive;
- Certified to NSF/ANSI 61 and 372.

Ref.	Description	Fam.	Subfam.	Disp. Stock	Price Euro
VP2CIDTD-05	WS2CI PLASTIC VALVE DN T I-D	25	799	OK	2189,33
VP2CIBTZ-05	WS2CI PLASTIC VALVE BW T I-Z	25	799	OK	2156,32

Ref.	Softening System/Filter	Ø Injector Tank Size	Downflow/Upflow	Meter	Mixing Valve
VP2CIDTD-05	Softening System	30"	Downflow	Not included	Not included
VP2CIBTZ-05	Filter	max 36"	Downflow	Not included	Not included

**NOTE:** if you need a pressure vessel with a different diameter, you have to order separately an injector, as indicated in section "ACCESSORIES".

**NOTE:** Controls listed are priced without a power cord or transformer. For AC Adapter (Transformer) selection see "ACCESSORIES" section (V3186-XX). Drain Line Flow Controls (DLFC) washer is not included. Please order separately. For drain fitting included you have to match n.1 drain control V3190-XXX and up to n.7 drain controls V3162-XXX . Top distributor is not included. Please order separately: reference order numbers V-D1199-11 or V-D1300.

Box: WxLxH	Box: Q.ty	Box: Weight	Pallet: WxLxH	Pallet: Q.ty	Pallet: Weight
	1				



## CLACK VALVES WS2CI P

SPECIFIC		CONTROL VALVE FLOW RATES	
Inlet/Outlet	2 female BSPT	Service $\Delta p$ 1 bar/15 psi drop	26,1 m <sup>3</sup> /h
Cycles	Up to 9	Backwash $\Delta p$ 1.7 bar/25 psi drop	18,2 m <sup>3</sup> /h
Valve Material	Noryl or equivalent		
Regeneration	Downflow or Upflow		

OPERATING PRESSURES		OPERATING TEMPERATURES	
Minimum/Maximum	1,4 ÷ 8,6 bar	Minimum/Maximum	4° ÷ 43° C

METER SPECIFICATIONS			
Accuracy	± 5%	Distributor Pilot	50 mm OD
Flow Rate Range	5,7 ÷ 568 lpm	Drain line connection	2" Male BSPT
Volume Range	0,02 ÷ 5.700 m <sup>3</sup>	Brine Line Adapters Included	1" Female NPT elbow, 3/4" x 1" solvent weld elbow and 1/2" OD Poly Tube Compression
Totalizer	1 - 99.999 m <sup>3</sup>	Mounting Base	4" - 8 UN
		Distributor tube length above pressure vessel	+/- 13 mm
		Shipping Weight With Meter	5 kg

ELECTRICAL SPECIFICATIONS		TANK APPLICATIONS	
Supply Voltage	200V AC to 240V AC	Water Softener	12" ÷ 36" diameter
Supply Frequency	50/60 Hz	Water Filter	12" ÷ 36" diameter
Output Voltage	15VDC		
Output Current	500 mA		

CYCLES OF OPERATION	
Choose up to nine regeneration cycles, in any order, with a wide range of available values	
Backwash	1 ÷ 120 minutes
Rinse	1 ÷ 120 minutes
Pause (service)	1 ÷ 480 minutes
Brine (co-current)	1 ÷ 180 minutes
Refill (softener)	0,1 ÷ 99 minutes
Refill (filter)	0,1 ÷ 99 minutes

Options: Backwash Filter. Compatible with the following typical concentrations of regenerants or chemicals: Sodium chloride, potassium chloride, potassium permanganate, sodium bisulfite, chlorine and chloramines



## CLACK VALVE WS2CI QC

### CONTROL VALVE



- Single valve, available also for twin alternating, twin parallel and multitank systems
- Transformer, Drain Line Flow Control (DLFC) washer, Top Distributor and accessories not included, to order separately
- 2" top mount or side mount control valve suited for commercial/industrial applications
- Epoxy coated lead free brass valve body
- Economical stainless steel optional meter assembly
- Solid state microprocessor with easy access front panel settings
- Front panel display for time of day, days until next regeneration, volume remaining and current flow rate
- Four methods to initiate regeneration; meter immediate, meter delayed, time clock delayed or pressure differential
- Program in ppm, French degrees, German degrees, or cubic meters
- Fully programmable regeneration cycle sequence (maximum 9)
- Programmable regeneration cycle times
- Days override feature; 1-28 days available
- Coin Cell Lithium battery back-up with an 24 hour carry over
- Level VI 15-volt output DC power supply provides safe and easy installation
- Pre or Post treated water regenerant refill
- 24 Hour Clock
- Reliable and proven DC drive
- Certified to NSF/ANSI 44, 61 and 372

Ref.	Description	Fam.	Subfam.	Disp. Stock	Price Euro
V2CIDTD-18	WS2CI VALVE DN T I-D QC	25	820	NO	2968,50
V2CIBTZ-18	WS2CI VALVE BW T I-Z QC	25	820	OK	2935,49

**When using the WS2CI/QC Control Valve, one of the following Tank Base Assemblies must be ordered, to complete the Control Valve:**

Ref	Description	Fam.	Subfam.	Disp. Stock	Price Euro
V3064	WS2H/2 QC 4" BASE ASSEMBLY	25	850	NO	298,91
V3055	WS2H/2 QC 6" FLANGE BASE ASSEMBLY	25	850	OK	503,72
V3260BSPT-02	WS2H/2 QC 2" SIDE MOUNT BASE ASSEMBLY BSPT	25	850	OK	733,55



## CLACK VALVE WS2CI QC

Ref.	Softening System/Filter	Ø Injector Tank Size	Downflow/Upflow	Meter	Mixing Valve
V2CIDTD-18	Softening System	30"	Downflow	Not included	Not included
V2CIBTZ-18	Filter	N/A	Backwash	Not included	Not included

**NOTE:** if you need a pressure vessel with a different diameter, you have to order one of the available control valves in our catalogue and the matching injector, as indicated in section "ACCESSORIES".

**NOTE:** Controls listed are priced without a power cord or transformer. For AC Adapter (Transformer) selection see "ACCESSORIES" section (V3186-XX). Drain Line Flow Controls (DLFC) washer is not included. Please order separately. For 3/4" drain fitting (V3158-04), Flow rates 0.07 - 10.0 gpm: reference order numbers V3162-007 through V3162-100. For 1" drain fitting (V3008-05), Flow rates 9.0 - 25.0 gpm: reference order numbers V3190-090 through V3190-250. For 1.5" x 1.5" drain fittings (V3080BSPT), Flow rates 9 to 85 gpm: reference order numbers V3162-007 through V3162-100, and V3190-090 through V3190-250. 63 mm Top Distributor is not included. Please order separately: reference order numbers V-D1199-05 or V-D1200-04.

Box: WxLxH	Box: Q.ty	Box: Weight	Pallet: WxLxH	Pallet: Q.ty	Pallet: Weight
	1				

Certificates	Manufacturer	Sectors
ACS CE	Clack	Commercial, Industrial



## CLACK VALVE WS2CI QC

SPECIFIC		CONTROL VALVE FLOW RATES	
Inlet/Outlet	2" female BSPT	Service $\Delta p$ 1 bar/15 psi drop	28,4 m <sup>3</sup> /h
Cycles	Up to 9	Backwash $\Delta p$ 1.7 bar/25 psi drop	19,3 m <sup>3</sup> /h
Valve Material	Lead free brass	Cv Service	32,3
Regeneration	Downflow or Upflow	Cv Backwash	17,0

OPERATING PRESSURES		OPERATING TEMPERATURES	
Minimum/Maximum	1,4 ÷ 8,6 bar	Minimum/Maximum	4° ÷ 43° C

METER SPECIFICATIONS			
Accuracy	± 5%	Distributor Pilot	63 mm OD
Flow Rate Range	5,7 ÷ 568 lpm	Drain line connection	1,5" Female NPT
Volume Range	0,02 ÷ 5.700 m <sup>3</sup>	Brine Line Adapters Included	3/4"x 1" solvent weld elbow and 1/2" OD Poly Tube Compression
Totalizer	1 - 99.999 m <sup>3</sup>	Mounting Base	4" - 8 UN, 6" Flange or Side Mount
		Distributor tube length above pressure vessel with 4" - 8 UN QC Base with 6" Flange QC Base	57 mm/64 mm
		Weight	14 kg

ELECTRICAL SPECIFICATIONS		TANK APPLICATIONS	
Supply Voltage	200V AC to 240V AC	Water Softener	12" ÷ 48" diameter
Supply Frequency	50/60 Hz	Water Filter	12" ÷ 36" diameter
Output Voltage	15VDC		
Output Current	500 mA		

CYCLES OF OPERATION	
Choose up to nine regeneration cycles, in any order, with a wide range of available values: Cycle	
Backwash	1 ÷ 120 minutes
Rinse	1 ÷ 120 minutes
Pause (service)	1 ÷ 480 minutes
Brine (co-current)	1 ÷ 180 minutes
Refill (softener)	0,1 ÷ 99 minutes
Refill (filter)	0,1 ÷ 99 minutes

Options: Backwash Filter. Compatible with the following typical concentrations of regenerants or chemicals: Sodium chloride, potassium chloride, sodium bisulfite, chlorine and chloramines.



## CLACK VALVE WS2H



### CONTROL VALVE

- 2" top mount or side mount control valve suited for industrial applications;
- Transformer, Drain Line Flow Control (DLFC) washer, Top Distributor and accessories not included, to order separately;
- Epoxy coated lead free brass valve body;
- Built-in Internal Flow Meter standard with all valves;
- Solid state microprocessor with easy access front removable POD;
- Front panel display for Time of Day, Current Flow Rate, Totalizer and Volume/Days until Regeneration;
- Four methods to initiate the down flow regeneration; meter delayed, meter immediate, time clock delayed, or pressure differential;
- Fully programmable regeneration cycle sequences (maximum 9);
- Fully programmable regeneration cycle times;
- Pre or Post treated water regenerant refill;
- Days override feature; 1-28 days available;
- Stores system configuration and operation data in nonvolatile memory;
- Capacitor back-up with a 24 hour carry over;
- Level VI 18-volt output DC power supply provides safe and easy installation;
- Reliable and proven DC drive;
- Certified to NSF/ANSI 44, 61 and 372.

Ref.	Description	Fam.	Subfam.	Disp. Stock	Price Euro
V2HDMD-05	WS2H VALVE DN M I-D	25	840	OK	6587,41
V2HBMZ-05	WS2H VALVE BW M I-Z	25	840	OK	6554,41

**When using the WS2H Control Valve, one of the following Tank Base Assemblies must be ordered, to complete the Control Valve:**

Ref	Description	Fam.	Subfam.	Disp. Stock	Price Euro
V3064	WS2H/2 QC 4" BASE ASSEMBLY	25	850	NO	298,91
V3055	WS2H/2 QC 6" FLANGE BASE ASSEMBLY	25	850	OK	503,72
V3260BSPT-02	WS2H/2 QC 2" SIDE MOUNT BASE ASSEMBLY BSPT	25	850	OK	733,55

Ref.	Softening System/Filter	Ø Injector Tank Size	Downflow/Upflow	Meter	Mixing Valve
V2HDMD-05	Softening System	30"	Downflow	included	Not included
V2HBMZ-05	Filter	N/A	Downflow	included	Not included

**NOTE:** if you need a pressure vessel with a different diameter , you have to order one of the available control valves in our catalogue and the matching injector, as indicated in section "ACCESSORIES".

**NOTE:** All WS2H Control Valves listed above come standard with a V3162-022, 2.2 gpm Brine Line Flow Control (BLFC). Other sizes are available. Controls listed are priced without a power cord or transformer. For AC Adapter (Transformer) selection see "ACCESSORIES" section (V3461XX-02). Drain Line Flow Controls (DLFC) washer is not included. Please order separately. The V3051BSPT DLFC Assembly BSPT is capable of up to 4 - V3190-XXX Flow Controls and 5 - V3162-XXX Flow Controls for a total flow rate of 150 gpm. For 3/4" DLFC buttons, reference order numbers V3162-007 through V3162-100. For 1" DLFC buttons, reference order numbers V3190-090 through V3190-250. 63 mm Top Distributor is not included. Please order separately: reference order numbers V-D1199-05 or V-D1200-04.

Box: WxLxH	Box: Q.ty	Box: Weight	Pallet: WxLxH	Pallet: Q.ty	Pallet: Weight
	1				





## CLACK VALVE WS2H

SPECIFIC		CONTROL VALVE FLOW RATES	
Inlet/Outlet	2" female BSPT or 2.5" Groove Lock	Service $\Delta p$ 15 psi/1 bar drop (includes meter)	28,4 m <sup>3</sup> /h
Cycles	Up to 9	Backwash $\Delta p$ 25 psi/1.7 bar drop	28,4 m <sup>3</sup> /h
Valve Material	Lead free brass	Cv Service	32,3
Regeneration	Downflow	Cv Backwash	25,0

OPERATING PRESSURES		OPERATING TEMPERATURES	
Minimum/Maximum	1,4 ÷ 8,6 bar	Minimum/Maximum	4° ÷ 43° C

METER SPECIFICATIONS			
Accuracy	± 5%	Distributor Pilot	63 mm OD
Flow Rate Range	5,7 ÷ 743 lpm	Drain line connection	2" Female BSPT
Volume Range	0,038 ÷ 3.796 m <sup>3</sup>	Brine Line Adapters Included	1" Male NPT elbow and 3/4" x 1" solvent weld elbow 1/2" or 5/8" OD Poly Tube Compression
Totalizer	3,8 - 3.785.000 m <sup>3</sup>	Mounting Base	4" - 8 UN6" Flange or Side Mount
		Distributor tube length above pressure vessel with 4" - 8 UN QC Base with 6" Flange QC Base	57 mm                      64 mm
		Shipping Weight With Internal Meter	22,7 kg

ELECTRICAL SPECIFICATIONS		TANK APPLICATIONS	
Supply Voltage	200V AC to 240V AC	Water Softener	18" ÷ 63" diameter
Supply Frequency	50/60 Hz	Water Filter	18" ÷ 48" diameter
Output Voltage	15VDC		
Output Current	500 mA		

CYCLES OF OPERATION	
Choose up to nine regeneration cycles, in any order, with a wide range of available values: Cycle	
Backwash	1 ÷ 95 minutes
Brine (draw)	1 ÷ 180 minutes
Slow Rinse	1 ÷ 95 minutes
Fast Rinse	1 ÷ 95 minutes
Refill	0,1 ÷ 99 minutes
Hold (service)	1 - 480 minutes

Options: Backwash Filter, Weather Cover

Compatible with the following typical concentrations of regenerants or chemicals: Sodium chloride, potassium chloride, potassium permanganate, sodium bisulfite, chlorine and chloramines.



## CLACK VALVE WS2HF



### CONTROL VALVE

- 2" top mount or side mount control valve suited for industrial applications;
- Transformer, Drain Line Flow Control (DLFC) washer, Top Distributor and accessories not included, to order separately;
- Epoxy coated lead free brass valve body;
- Built-in Internal Flow Meter standard with all valves;
- Solid state microprocessor with easy access front removable POD;
- Front panel display for Time of Day, Current Flow Rate, Totalizer and Volume/Days until Regeneration;
- Four methods to initiate the down flow regeneration; meter delayed, meter immediate, time clock delayed, or pressure differential;
- Fully programmable regeneration cycle sequences (maximum 9);
- Fully programmable regeneration cycle times;
- Pre or Post treated water regenerant refill;
- Days override feature; 1-28 days available;
- Stores system configuration and operation data in nonvolatile memory;
- Capacitor back-up with a 24 hour carry over;
- Level VI 18-volt output DC power supply provides safe and easy installation;
- Reliable and proven DC drive;
- Certified to NSF/ANSI 44, 61 and 372.

Ref.	Description	Fam.	Subfam.	Disp. Stock	Price Euro
V2HFDTF-05	WS2HF VALVE DN T I-F	25	841	OK	6441,25
V2HFBTZ-05	WS2HF VALVE BW T I-Z	25	841	OK	6408,24

**When using the WS2HF Control Valve, one of the following Tank Base Assemblies must be ordered, to complete the Control Valve:**

Ref.	Description	Fam.	Subfam.	Disp. Stock	Price Euro
V3064	WS2H/2 QC 4" BASE ASSEMBLY	25	850	NO	298,91
V3055	WS2H/2 QC 6" FLANGE BASE ASSEMBLY	25	850	OK	503,72
V3260BSPT-02	WS2H/2 QC 2" SIDE MOUNT BASE ASSEMBLY BSPT	25	850	OK	733,55

Ref.	Softening System/Filter	Ø Injector Tank Size	Downflow/Upflow	Meter	Mixing Valve
V2HFDTF-05	Softening System	42"	Downflow	included	Not included
V2HFBTZ-05	Filter	N/A	Downflow	included	Not included

**NOTE:** if you need a pressure vessel with a different diameter , you have to order one of the available control valves in our catalogue and the matching injector, as indicated in section "ACCESSORIES".

**NOTE:** All WS2HF Control Valves listed above come standard with a V3162-022, 2.2 gpm Brine Line Flow Control (BLFC). Other sizes are available. Controls listed are priced without a power cord or transformer. For AC Adapter (Transformer) selection see "ACCESSORIES" section (V3461XX-02). Drain Line Flow Controls (DLFC) washer is not included. Please order separately. The V3051BSPT DLFC Assembly BSPT is capable of up to 4 - V3190-XXX Flow Controls and 5 - V3162-XXX Flow Controls for a total flow rate of 150 gpm. For 3/4" DLFC buttons, reference order numbers V3162-007 through V3162-100. For 1" DLFC buttons, reference order numbers V3190-090 through V3190-250. 63 mm Top Distributor is not included. Please order separately: reference order numbers V-D1199-05 or V-D1200-04.

Box: WxLxH	Box: Q.ty	Box: Weight	Pallet: WxLxH	Pallet: Q.ty	Pallet: Weight
	1				

Certificates	Manufacturer	Sectors
ACS CE	Clack	Industrial



## CLACK VALVE WS2HF

SPECIFIC		CONTROL VALVE FLOW RATES	
Inlet/Outlet	2" female BSPT or 2.5" Groove Lock	Service $\Delta p$ 15 psi/1 bar drop (includes meter)	37 m <sup>3</sup> /h
Cycles	Up to 9	Backwash $\Delta p$ 25 psi/1.7 bar drop	39 m <sup>3</sup> /h
Valve Material	Lead free brass		
Regeneration	Downflow		

OPERATING PRESSURES		OPERATING TEMPERATURES	
Minimum/Maximum	1,4 ÷ 8,6 bar	Minimum/Maximum	4° ÷ 43° C

METER SPECIFICATIONS			
Accuracy	± 5%	Distributor Pilot	63 mm OD
Flow Rate Range	5,7 ÷ 743 lpm	Drain line connection	2" Female BSPT
Volume Range	0,038 ÷ 3.796 m <sup>3</sup>	Brine Line Adapters Included	1" Male NPT elbow and 3/4" x 1" solvent weld elbow 1/2" or 5/8" OD Poly Tube Compression
Totalizer	3,8 - 3.785.000 m <sup>3</sup>	Mounting Base	4" - 8 UN6" Flange or Side Mount
		Distributor tube length above pressure vessel with 4" - 8 UN QC Base with 6" Flange QC Base	57 mm 64 mm
		Shipping Weight With Internal Meter	22,7 kg

ELECTRICAL SPECIFICATIONS		TANK APPLICATIONS	
Supply Voltage	200V AC to 240V AC	Water Softener	18" ÷ 63" diameter
Supply Frequency	50/60 Hz	Water Filter	18" ÷ 48" diameter
Output Voltage	15VDC		
Output Current	500 mA		

CYCLES OF OPERATION	
Choose up to nine regeneration cycles, in any order, with a wide range of available values: Cycle	
Backwash	1 ÷ 95 minutes
Brine (draw)	1 ÷ 180 minutes
Slow Rinse	1 ÷ 95 minutes
Fast Rinse	1 ÷ 95 minutes
Refill	0,1 ÷ 99 minutes
Hold (service)	1 - 480 minutes

Options: Backwash Filter, Weather Cover

Compatible with the following typical concentrations of regenerants or chemicals: Sodium chloride, potassium chloride, potassium permanganate, sodium bisulfite, chlorine and chloramines.



## CLACK VALVE WS3

### CONTROL VALVE



- 3" top mount or side mount control valve suited for industrial applications
- Transformer, Drain Line Flow Control (DLFC) washer, Top Distributor and accessories not included, to order separately;
- Epoxy coated lead free brass valve body;
- Economical stainless steel optional meter assembly;
- Built-in Internal Flow Meter standard with all valves;
- Solid state microprocessor with easy access front removable POD;
- Front panel display for Time of Day, Current Flow Rate, Totalizer and Volume/Days until Regeneration
- Four methods to initiate the down flow regeneration; meter delayed, meter immediate, time clock delayed, or pressure differential
- Fully programmable regeneration cycle sequences (maximum 9)
- Fully programmable regeneration cycle times
- Pre or Post treated water regenerant refill
- Days override feature; 1-28 days available
- Stores system configuration and operation data in nonvolatile memory
- Capacitor back-up with a 24 hour carry over
- Level VI 18-volt output DC power supply provides safe and easy installation
- Reliable and proven DC drive
- Certified to NSF/ANSI 44, 61 and 372

Ref.	Description	Fam.	Subfam.	Disp. Stock	Price Euro
V3DTC-05	WS3 VALVE DN T I-C	25	845	OK	8163,58
V3DTH-05	WS3 VALVE DN T I-H	25	845	OK	8163,58
V3BTZ-05	WS3 VALVE BW T I-Z	25	845	OK	8129,66

**When using the WS3 Control Valve, one of the following Tank Base Assemblies must be ordered, to complete the Control Valve:**

Ref	Description	Fam.	Subfam.	Disp. Stock	Price Euro
V3090	WS3 6" FLANGE BASE ASSEMBLY	25	850	OK	550,13
V3674BSPT-02	WS3 SIDE MOUNT BASE ASSEMBLY BSPT	25	850	OK	1057,50



## CLACK VALVE WS3

Ref.	Softening System/Filter	Ø Injector Tank Size	Downflow/Upflow	Meter	Mixing Valve
V3DTC-05	Softening System	24"	Downflow	Not included	Not included
V3DTH-05	Softening System	63"	Downflow	Not included	Not included
V3BTZ-05	Filter	N/A	Backwash	Not included	Not included

**NOTE:** if you need a pressure vessel with a different diameter , you have to order one of the available control valves in our catalogue and the matching injector, as indicated in section "ACCESSORIES".

**NOTE:** All WS3 Control Valves listed above come standard with a V3162-022, 2.2 gpm Brine Line Flow Control (BLFC). Other sizes are available. Controls listed are priced without a power cord or transformer. For AC Adapter (Transformer) selection see "ACCESSORIES" section (V3461XX-02). Drain Line Flow Controls (DLFC) washer is not included. Please order separately. For the 3" drain fittings (V3764BSPT), Flow rates 9 to 225 gpm: uses up to 9 of the 1" DLFC buttons, reference order numbers V3190-090 through V3190-250. 90 mm Top Distributor is not included. Please order separately.

Box: WxLxH	Box: Q.ty	Box: Weight	Pallet: WxLxH	Pallet: Q.ty	Pallet: Weight
	1				

Certificates	Manufacturer	Sectors
ACS CE	Clack	Industrial



## CLACK VALVE WS3

SPECIFIC		CONTROL VALVE FLOW RATES	
Inlet/Outlet	3" female BSPT	Service $\Delta p$ 15 psi/1 bar drop	56,8 m <sup>3</sup> /h
Cycles	Up to 9	Backwash $\Delta p$ 25 psi/1.7 bar drop	50,0 m <sup>3</sup> /h
Valve Material	Lead free brass	Cv Service	44,6
Regeneration	Downflow	Cv Backwash	44,0

OPERATING PRESSURES		OPERATING TEMPERATURES	
Minimum/Maximum	1,4 ÷ 8,6 bar	Minimum/Maximum	4° ÷ 43° C

METER SPECIFICATIONS			
Accuracy	± 5%	Distributor tube O. D. diameter	90 mm OD
Flow Rate Range	13,3 ÷ 1.325 lpm	Drain line connection	3" BSPT
Volume Range	(3.786 - 3.785.407,9 liters x1000)	Brine Line Adapters Included	1 Male NPT elbow and 3/4" x 1" solvent weld elbow
		Mounting Base	6" Flange or Side Mount
		Distributor tube length above pressure vessel with 6" Flange QC Base	70 mm
		Shipping Weight Without Optional Meter	25,9 kg

ELECTRICAL SPECIFICATIONS		TANK APPLICATIONS	
Supply Voltage	200V AC to 240V AC	Water Softener	18" ÷ 63" diameter
Supply Frequency	50/60 Hz	Water Filter	18" ÷ 63" diameter
Output Voltage	15VDC		
Output Current	500 mA		

CYCLES OF OPERATION	
Choose up to nine regeneration cycles, in any order, with a wide range of available values	
Backwash	1 ÷ 95 minutes
Brine	1 ÷ 180 minutes
Slow Rinse	1 ÷ 95 minutes
Fast Rinse	1 ÷ 95 minutes
Refill	0,1 ÷ 99 minutes
Hold (service)	0,1 ÷ 480 minutes

Options: Backwash Filter

Compatible with the following typical concentrations of regenerants or chemicals: Sodium chloride, potassium chloride, potassium permanganate, sodium bisulfite, chlorine and chloramines.



CLACK VALVE: WS1CI, WS1CI TWIN, WS1EI, WS1EI TWIN, WS1TC, WS125TC, WS125CI, WS125EI, WS15CI, WS15EI, WS2CI, WS2EI, WS2CI/QC, WS2EI/QC

## ACCESSORIES

Ref	Description	Fam.	Subfam.	Disp. Stock	Price Euro
V3006	WS1 BYPASS ASSEMBLY	15	760	OK	59,70
V3007	WS1 FITTING 1" PVC MALE NPT ELBOW ASSEMBLY	15	760	OK	15,07
V3007-01	WS1 FITTING 3/4" X 1" PVC SOLVENT ELBOW ASSEMBLY	15	760	NO	15,07
V3007-06	WS1 FITTING 1" PLASTIC MALE BSPT ASSEMBLY	15	760	OK	23,13
V3007-07	WS1 FITTING 1.25" & 1.5" PVC SOLVENT ASSEMBLY	15	760	OK	32,23
V3007-08	WS1 FITTING 1.25" PLASTIC MALE BSPT ASSEMBLY	15	760	OK	24,79
V3007-14	WS1 FITTING 3/4" PLASTIC MALE BSPT ASSEMBLY	15	760	OK	23,13
V3007-15	WS1 FITTING 3/4" JOHN GUEST QC ELBOW ASSEMBLY	15	760	NO	52,46
V3007-16	WS1 FITTING 1" PVC MALE BSPT 90 ASSEMBLY	15	760	OK	15,07
V3007-17	WS1 FITTING 1" JOHN GUEST QC ASSEMBLY	15	760	NO	73,11
V3007-19	WS1 FITTING 3/4" STRAIGHT JOHN GUEST QC	15	760	NO	51,80
V3008-04	WS1 DRAIN FITTING 1" STRAIGHT W/SILENCER	15	760	OK	28,01
V3008-05	WS2 DRAIN FITTING 1" MALE NPT STRAIGHT W/O SILENCER	25	850	OK	51,29
V3009	WS1 AUXILIARY MICROSWITCH ASSEMBLY	15	760	OK	26,73
V3014	WS1 SERIES MICROSWITCH ASSEMBLY	15	760	OK	58,03
V3017	WS2 SERVICE OR FILL SWITCH ASSEMBLY	25	850	NO	58,27
V3022	WS1 STACK PULLER ASSEMBLY	15	760	NO	34,17
V3030-01	SYSTEM CONTROLLER BOX	15	760	NO	2206,24
V3040BSPT	WS1.5 METER ASSEMBLY BSPT	25	850	OK	892,48
V3040BSPT-15	WS1.5 METER ASSEMBLY BSPT 15 FOOT METER CABLE	25	850	OK	936,81
V3051BSPT	WS2H/3 DLFC ASSY 2 M-BSPT X 2 F-BSPT (NO DLFC BUTTONS)	25	850	NO	415,84
V3053	WS2 2-1/2" GROOVE LOCK CLAMP ASSEMBLY	25	850	NO	153,63
V3055	WS2H/2 QC 6" FLANGE BASE ASSEMBLY	25	850	OK	503,72
V3064	WS2H/2 QC 4" BASE ASSEMBLY	25	850	NO	298,91
V3069FF-01	WS1/125 MAV FEMALE X FEMALE 3-WIRE	15	760	OK	341,14
V3069MM-01	WS1/125 MAV MALE X MALE 3-WIRE	15	760	OK	341,14



**CLACK VALVE: WS1CI, WS1CI TWIN, WS1EI, WS1EI TWIN, WS1TC, WS125TC, WS125CI, WS125EI, WS15CI, WS15EI, WS2CI, WS2EI, WS2CI/QC, WS2EI/QC**

Ref	Description	Fam.	Subfam.	Disp. Stock	Price Euro
V3070FF	WS1 & WS1.25 NO HARD WATER BY-PASS VALVE FEMALE XFEMALE	15	760	OK	318,83
V3070FM	WS1 & WS1.25 NO HARD WATER BY-PASS VALVE FEMALE XMALE	15	760	OK	318,83
V3071BSPT	MOTORIZED ALTERNATING VALVE 1,5" BSPT	25	850	OK	969,89
V3076BSPT	WS2 MAV BSPT REVISION 2 (PISTON STYLE)	25	850	OK	1240,41
V3080BSPT	WS2 DLFC ASSY 1.5 M-NPT X 1.5 F-BSPT (NO DLFC BUTTONS)	25	850	OK	257,38
V3094BSPT	WS2 METER ASSEMBLY MALE X FEMALE BSPT 70 CM METERCABLE	25	850	OK	939,44
V3094BSPT-15	WS2 METER ASSEMBLY MALE X FEMALE BSPT 15' METER CABLE	25	850	OK	986,09
V3097BSPT	15" NO HARD WATER BYPASS MALE X FEMALE BSPT	25	850	OK	592,29
V3098BSPT	2" NO HARD WATER BYPASS MALE X FEMALE BSPT	25	850	OK	659,70
V3158-04	WS2 DRAIN ELBOW 3/4" MALE NPT NO SILENCER	25	850	NO	39,63
V3162-007	WS1 DLFC 007 (0.7 GPM) FOR 3/4"	15	760	NO	3,48
V3162-010	WS1 DLFC 010 (1.0 GPM) FOR 3/4"	15	760	NO	3,48
V3162-013	WS1 DLFC 013 (1.3 GPM) FOR 3/4"	15	760	OK	3,48
V3162-017	WS1 DLFC 017 (1.7 GPM) FOR 3/4"	15	760	OK	3,48
V3162-022	WS1 DLFC 022 (2.2 GPM) FOR 3/4"	15	760	OK	3,48
V3162-027	WS1 DLFC 027 (2.7 GPM) FOR 3/4"	15	760	OK	3,48
V3162-032	WS1 DLFC 032 (3.2 GPM) FOR 3/4"	15	760	OK	3,48
V3162-042	WS1 DLFC 042 (4.2 GPM) FOR 3/4"	15	760	OK	3,48
V3162-053	WS1 DLFC 053 (5.3 GPM) FOR 3/4"	15	760	OK	3,48
V3162-065	WS1 DLFC 065 (6.5 GPM) FOR 3/4"	15	760	OK	3,48
V3162-075	WS1 DLFC 075 (7.5 GPM) FOR 3/4"	15	760	OK	3,48
V3162-090	WS1 DLFC 090 (9.0 GPM) FOR 3/4"	15	760	OK	3,48
V3162-100	WS1 DLFC 100 (10.0 GPM) FOR 3/4"	15	760	OK	3,48
V3176	WS1 INJECTOR CAP	15	770	NO	3,56
V3186-06	WS1 AC POWER SUPPLY (TRANSF.) US 15 VOLT DC	15	760	NO	32,31
V3186EU-06	WS1 DC Power Supply EU 15V DC	15	760	OK	32,31
V3186UK-06	WS1 POWER SUPPLY (TRANSFORMER) UK 15 VOLT DC HOCP	15	760	OK	34,05





**CLACK VALVE: WS1CI, WS1CI TWIN, WS1EI, WS1EI TWIN, WS1TC, WS125TC, WS125CI, WS125EI, WS15CI, WS15EI, WS2CI, WS2EI, WS2CI/QC, WS2EI/QC**

Ref	Description	Fam.	Subfam.	Disp. Stock	Price Euro
V3190-090	WS1 DLFC 090 (9.0 GPM) FOR 1"	25	850	OK	8,64
V3190-100	WS1 DLFC 100 (10.0 GPM) FOR 1"	25	850	OK	8,64
V3190-110	WS1 DLFC 110 (11.0 GPM) FOR 1"	25	850	OK	8,64
V3190-130	WS1 DLFC 130 (13.0 GPM) FOR 1"	25	850	OK	8,64
V3190-150	WS1 DLFC 150 (15.0 GPM) FOR 1"	25	850	OK	8,64
V3190-170	WS1 DLFC 170 (17.0 GPM) FOR 1"	25	850	OK	8,64
V3190-200	WS1 DLFC 200 (20.0 GPM) FOR 1"	25	850	OK	8,64
V3190-250	WS1 DLFC 250 (25.0 GPM) FOR 1"	25	850	OK	8,64
V3191-01	WS1 BYPASS VERTICAL ADAPTER ASSEMBLY	15	760	OK	29,52
V3192	WS1 NUT 3/4" DRAIN ELBOW (FOR 5/8" X 1/2" POLYTUBE)	15	760	OK	1,93
V3193-02	WS1 SERVICE SPANNER WRENCH	15	760	OK	23,40
V3260BSPT-02	WS2H/2 QC 2" SIDE MOUNT BASE ASSEMBLY BSPT	25	850	OK	733,55
V3467	WS1 BY PASS INLINE ADAPTER FITTINGS	15	760	OK	15,30
V3474	WS ALTERNATING CONNECTION CORD 8' BLACK FOR SINGLE METER (3 WIRE INTERCO)	25	860	OK	15,53
V3475-12	WS2H/3 SYSTEM CONNECTION CORD 12' RED	25	850	NO	28,67
V3475-24	WS2H/3 SYSTEM CONNECTION CORD 24' BLUE	25	850	NO	52,15
V3475-36	WS2H/3 SYSTEM CONNECTION CORD 36' YELLOW	25	850	NO	70,74
V3478	WS1 INLINE BYPASS ASSEMBLY 1" BRASS SWEAT	15	760	NO	144,16
V3478-01	WS1 INLINE BYPASS ASSEMBLY 3/4" BRASS SWEAT	15	760	NO	130,49
V3974WC-A	WS15 WEATHER COVER ALMOND GENERATION 2	25	850	NO	61,25
V3962	WS1 DRAIN ELBOW & RETAINER ASSY W/O SILENCER	15	760	NO	5,26
V3974WC-W	WS15 WEATHER COVER WHITE GENERATION 2	25	850	NO	61,25
V4052-01	TT TWIN TANK INTERCONNECT KIT FOR 12"-21" TANKS	15	760	OK	92,83
V4057	WS1 DRAIN ELBOW & RETAINER ASSY W/SILENCER	15	760	NO	9,29
V4099	WS1 EXTERNAL IN-LINE MIXING VALVE	15	760	NO	58,85
V4276-15	15' POWER CORD	15	760	NO	17,08
V4276-36	36' POWER CORD	15	760	NO	29,13
V4325	SOFTWARE CONFIGURATOR PROGRAM	15	760	NO	808,33
V-D1199-11	ACK DISTR SNAP IN - 50 MM	25	850	OK	111,19
V-D1199-05	TOP STACK DISTRIBUTOR 63 MM	25	850	NO	103,65
V-D1200-04	TOP STACK DISTRIBUTOR 63 MM FOR FLANGE TANKS	25	850	OK	100,37
V-D1203-03	UPPER SCREEN 32 MM-TWIST LOCK	15	760	OK	8,05
V-D1300	TOP BAFFLE DISTRIBUTOR 50 MM	25	850	NO	19,62
V-PKP10TS8-BULK	POLYTUBE INSERT 5/8" - "FOR DRAIN LINE WITH V3192NUT"	15	760	OK	1,93
V-D1400	1191 IN-OUT HEAD	15	770	OK	60,71
V-H4600	474 SAFETY BRINE VALVE WITH 3/8" ELBOW AND INSERT	15	770	NO	27,84



## ACCESSORIES KIT FOR CLACK VALVES WS1CI, WS1EI, WS1TC

Ref.	Description	Fam.	Subfam.	Disp. Stock	Price Euro
KITAC1600-17-34A	CLACK VALV ACCESSORIES KIT - 1600 AIR CHECK - 17" TUBE -3/4"*	15	760	NO	83,45
consisting of:					
AV071	UPPER SCREEN 1.05" BAJONETALVES)				
AV116M	PVC TUBE 1.05" OD L=432MM(17") + LOWER DIFFUSER AV097MWG*				
V3186EU-06	WS1 DC Power Supply EU 15V DC				
V3162-027	WS1 DLFC 027 (2.7 GPM) FOR 3/4"				
AV093MWG	PVC TUBE 3/8" OD L=1067MM(42")+AIR-CHECK AV108MWG				
AV155	ELBOW FITTING UNION 3/8" NPT				
V3007-14	WS1 FITTING 3/4" PLASTIC MALE BSPT ASSEMBLY				
V-PKP10TS8-BULK	POLYTUBE INSERT 5/8" - "FOR DRAIN LINE WITH V3192NUT"				
V3192	WS1 NUT 3/4" DRAIN ELBOW (FOR 5/8" X 1/2" POLYTUBE)				

Ref.	Description	Fam.	Subfam.	Disp. Stock	Price Euro
KITAC1600-17-1A	CLACK VALV ACCESSORIES KIT - 1600 AIR CHECK - 17" TUBE -1"*	15	760	NO	83,45
consisting of:					
AV071	UPPER SCREEN 1.05" BAJONETALVES)				
AV116M	PVC TUBE 1.05" OD L=432MM(17") + LOWER DIFFUSER AV097MWG*				
V3186EU-06	WS1 DC Power Supply EU 15V DC				
V3162-027	WS1 DLFC 027 (2.7 GPM) FOR 3/4"				
AV093MWG	PVC TUBE 3/8" OD L=1067MM(42")+AIR-CHECK AV108MWG				
AV155	ELBOW FITTING UNION 3/8" NPT				
V3007-06	WS1 FITTING 1" PLASTIC MALE BSPT ASSEMBLY				
V-PKP10TS8-BULK	POLYTUBE INSERT 5/8" - "FOR DRAIN LINE WITH V3192NUT"				
V3192	WS1 NUT 3/4" DRAIN ELBOW (FOR 5/8" X 1/2" POLYTUBE)				

Ref.	Description	Fam.	Subfam.	Disp. Stock	Price Euro
KITAC1600-35-34A	CLACK VALV ACCESSORIES KIT - 1600 AIR CHECK - 35" TUBE -3/4"*	15	760	NO	84,81
consisting of:					
AV071	UPPER SCREEN 1.05" BAJONETALVES)				
AV117M	PVC TUBE 1.05" OD L=889MM(35") + LOWER DIFFUSER AV097MWG*				
V3186EU-06	WS1 DC Power Supply EU 15V DC				
V3162-027	WS1 DLFC 027 (2.7 GPM) FOR 3/4"				
AV093MWG	PVC TUBE 3/8" OD L=1067MM(42")+AIR-CHECK AV108MWG				
AV155	ELBOW FITTING UNION 3/8" NPT				
V3007-14	WS1 FITTING 3/4" PLASTIC MALE BSPT ASSEMBLY				
V-PKP10TS8-BULK	POLYTUBE INSERT 5/8" - "FOR DRAIN LINE WITH V3192NUT"				
V3192	WS1 NUT 3/4" DRAIN ELBOW (FOR 5/8" X 1/2" POLYTUBE)				



## ACCESSORIES KIT FOR CLACK VALVES WS1CI, WS1EI, WS1TC

Ref.	Description	Fam.	Subfam.	Disp. Stock	Price Euro
KITAC1600-35-1A	CLACK VALV ACCESSORIES KIT - 1600 AIR CHECK - 35" TUBE -1"*	15	760	NO	84,81
consisting of:					
AV071	UPPER SCREEN 1.05" BAJONETALVES)				
AV117M	PVC TUBE 1.05" OD L=889MM(35") + LOWER DIFFUSER AV097MWG*				
V3186EU-06	WS1 DC Power Supply EU 15V DC				
V3162-027	WS1 DLFC 027 (2.7 GPM) FOR 3/4"				
AV093MWG	PVC TUBE 3/8" OD L=1067MM(42")+AIR-CHECK AV108MWG				
AV155	ELBOW FITTING UNION 3/8" NPT				
V3007-06	WS1 FITTING 1" PLASTIC MALE BSPT ASSEMBLY				
V3192					

Ref.	Description	Fam.	Subfam.	Disp. Stock	Price Euro
KITAC1600-55-34A	CLACK VALV ACCESSORIES KIT - 1600 AIR CHECK - 55" TUBE -3/4"*	15	760	NO	86,30
consisting of:					
AV071	UPPER SCREEN 1.05" BAJONETALVES)				
AV103M	PVC TUBE 1.05" OD L=1397MM(55") + LOWER DIFFUSER AV097MWG*				
V3186EU-06	WS1 DC Power Supply EU 15V DC				
V3162-027	WS1 DLFC 027 (2.7 GPM) FOR 3/4"				
AV093MWG	PVC TUBE 3/8" OD L=1067MM(42")+AIR-CHECK AV108MWG				
AV155	ELBOW FITTING UNION 3/8" NPT				
V3007-14	WS1 FITTING 3/4" PLASTIC MALE BSPT ASSEMBLY				
V-PKP10TS8-BULK	POLYTUBE INSERT 5/8" - "FOR DRAIN LINE WITH V3192NUT"				
V3192	WS1 NUT 3/4" DRAIN ELBOW (FOR 5/8" X 1/2" POLYTUBE)				

Ref.	Description	Fam.	Subfam.	Disp. Stock	Price Euro
KITAC1600-55-1A	CLACK VALV ACCESSORIES KIT - 1600 AIR CHECK - 55" TUBE -1"*	15	760	NO	86,30
consisting of:					
AV071	UPPER SCREEN 1.05" BAJONETALVES)				
AV103M	PVC TUBE 1.05" OD L=1397MM(55") + LOWER DIFFUSER AV097MWG*				
V3186EU-06	WS1 DC Power Supply EU 15V DC				
V3162-027	WS1 DLFC 027 (2.7 GPM) FOR 3/4"				
AV093MWG	PVC TUBE 3/8" OD L=1067MM(42")+AIR-CHECK AV108MWG				
AV155	ELBOW FITTING UNION 3/8" NPT				
V3007-06	WS1 FITTING 1" PLASTIC MALE BSPT ASSEMBLY				
V-PKP10TS8-BULK	POLYTUBE INSERT 5/8" - "FOR DRAIN LINE WITH V3192NUT"				
V3192	WS1 NUT 3/4" DRAIN ELBOW (FOR 5/8" X 1/2" POLYTUBE)				



## ACCESSORIES KIT FOR CLACK VALVES WS1CI, WS1EI, WS1TC

Ref.	Description	Fam.	Subfam.	Disp. Stock	Price Euro
KITAC1600-72-1	CLACK VALV ACCESSORIES KIT - 1600 AIR CHECK - 72" TUBE -1"*	15	760	NO	87,56
consisting of:					
AV071	UPPER SCREEN 1.05" BAJONETALVES)				
AV087	PVC TUBE 1.05" OD (D OUT.=26,6MM - D IN.=23MM +0/-0,3) L=1829MM(72")				
PV317B	TWIST LOCK LOWER LATERAL DIFFUSER FOR 263-268-27818-21-24"				
V3186EU-06	WS1 DC Power Supply EU 15V DC				
V3190-110	WS1 DLFC 110 (11.0 GPM) FOR 1"				
V3008-04	WS1 DRAIN FITTING 1" STRAIGHT W/SILENCER				
V-H4500-48	474 AIR CHECK ASSEMBLY 1/2" X 48"				
FVRKIT57	KIT ACCESSORIES 1700-1710 WITH CAC 900				
V3007-06	WS1 FITTING 1" PLASTIC MALE BSPT ASSEMBLY				
V-PKP10TS8-BULK	POLYTUBE INSERT 5/8" - "FOR DRAIN LINE WITH V3192NUT"				
V3192	WS1 NUT 3/4" DRAIN ELBOW (FOR 5/8" X 1/2" POLYTUBE)				



## ACCESSORIES KIT FOR CLACK VALVES WTT1

Ref.	Description	Fam.	Subfam.	Disp. Stock	Price Euro
KITAC1600-T1-17-1	CLACK VALV TT1 ACCESSORIES KIT - 17" TUBE -1"*	15	760	NO	91,15
consisting of:					
AV071	UPPER SCREEN 1.05" BAJONETALVES)			x 2	
AV116M	PVC TUBE 1.05" OD L=432MM(17") + LOWER DIFFUSER AV097MWG*			x 2	
V3186EU-06	WS1 DC Power Supply EU 15V DC				
V3162-027	WS1 DLFC 027 (2.7 GPM) FOR 3/4"				
AV093MWG	PVC TUBE 3/8" OD L=1067MM(42")+AIR-CHECK AV108MWG				
AV155	ELBOW FITTING UNION 3/8" NPT				
V3007-06	WS1 FITTING 1" PLASTIC MALE BSPT ASSEMBLY				
V-PKP10TS8-BULK	POLYTUBE INSERT 5/8" - "FOR DRAIN LINE WITH V3192NUT"				
V3192	WS1 NUT 3/4" DRAIN ELBOW (FOR 5/8" X 1/2" POLYTUBE)				

Ref.	Description	Fam.	Subfam.	Disp. Stock	Price Euro
KITAC1600-T1-35-1	CLACK VALV TT1 ACCESSORIES KIT - 1600 AIR CHECK - 35" TUBE -1"*	15	760	NO	93,85
consisting of:					
AV071	UPPER SCREEN 1.05" BAJONETALVES)			x 2	
AV117M	PVC TUBE 1.05" OD L=889MM(35") + LOWER DIFFUSER AV097MWG*			x 2	
V3186EU-06	WS1 DC Power Supply EU 15V DC				
V3162-027	WS1 DLFC 027 (2.7 GPM) FOR 3/4"				
AV093MWG	PVC TUBE 3/8" OD L=1067MM(42")+AIR-CHECK AV108MWG				
AV155	ELBOW FITTING UNION 3/8" NPT				
V3007-06	WS1 FITTING 1" PLASTIC MALE BSPT ASSEMBLY				
V-PKP10TS8-BULK	POLYTUBE INSERT 5/8" - "FOR DRAIN LINE WITH V3192NUT"				
V3192	WS1 NUT 3/4" DRAIN ELBOW (FOR 5/8" X 1/2" POLYTUBE)				

Ref.	Description	Fam.	Subfam.	Disp. Stock	Price Euro
KITAC1600-T1-55-1	CLACK VALV TT1 ACCESSORIES KIT - 1600 AIR CHECK - 55" TUBE -1"*	15	760	NO	96,85
consisting of:					
AV071	UPPER SCREEN 1.05" BAJONETALVES)			x 2	
AV103M	PVC TUBE 1.05" OD L=1397MM(55") + LOWER DIFFUSER AV097MWG*			x 2	
V3186EU-06	WS1 DC Power Supply EU 15V DC				
V3162-027	WS1 DLFC 027 (2.7 GPM) FOR 3/4"				
AV093MWG	PVC TUBE 3/8" OD L=1067MM(42")+AIR-CHECK AV108MWG				
AV155	ELBOW FITTING UNION 3/8" NPT				
V3007-06	WS1 FITTING 1" PLASTIC MALE BSPT ASSEMBLY				
V-PKP10TS8-BULK	POLYTUBE INSERT 5/8" - "FOR DRAIN LINE WITH V3192NUT"				
V3192	WS1 NUT 3/4" DRAIN ELBOW (FOR 5/8" X 1/2" POLYTUBE)				



## ACCESSORIES KIT FOR CLACK VALVES WTT1

Ref.	Description	Fam.	Subfam.	Disp. Stock	Price Euro
KITAC1600-T1-72-1	CLACK VALV TT1 ACCESSORIES KIT - 1600 AIR CHECK - 72" TUBE -1"*	15	760	NO	99,36
consisting of:					
AV071	UPPER SCREEN 1.05" BAJONETALVES)			x 2	
AV104M	PVC TUBE 1.05" OD L=1829MM(72") + LOWER DIFFUSER AV097MWG*			x 2	
V3186EU-06	WS1 DC Power Supply EU 15V DC				
V3162-053	WS1 DLFC 053 (5.3 GPM) FOR 3/4"				
AV093MWG	PVC TUBE 3/8" OD L=1067MM(42")+AIR-CHECK AV108MWG				
AV155	ELBOW FITTING UNION 3/8" NPT				
V3007-06	WS1 FITTING 1" PLASTIC MALE BSPT ASSEMBLY				
V-PKP10TS8-BULK	POLYTUBE INSERT 5/8" - "FOR DRAIN LINE WITH V3192NUT"				
V3192	WS1 NUT 3/4" DRAIN ELBOW (FOR 5/8" X 1/2" POLYTUBE)				



## CLACK VALVE: WS2H, WS3

### ACCESSORIES

Ref	Description	Fam.	Subfam.	Disp. Stock	Price Euro
V3051BSPT	WS2H/3 DLFC ASSY 2 M-BSPT X 2 F-BSPT (NO DLFC BUTTONS)	25	850	NO	415,84
V3053	WS2 2-1/2" GROOVE LOCK CLAMP ASSEMBLY	25	850	NO	153,63
V3055	WS2H/2 QC 6" FLANGE BASE ASSEMBLY	25	850	OK	503,72
V3064	WS2H/2 QC 4" BASE ASSEMBLY	25	850	NO	298,91
V3076BSPT	WS2 MAV BSPT REVISION 2 (PISTON STYLE)	25	850	NO	1240,41
V3080BSPT	WS2 DLFC ASSY 1.5 M-NPT X 1.5 F-BSPT (NO DLFC BUTTONS)	25	850	OK	257,38
V3083BSPT	WS3 MOTORIZED ALTERNATING VALVE BSPT	25	850	OK	2750,95
V3090	WS3 6" FLANGE BASE ASSEMBLY	25	850	OK	550,13
V3095BSPT-15	WS3 3" METER ASSEMBLY BSPT M X F 15' METER CABL	25	850	OK	2855,10
V3098BSPT	2" NO HARD WATER BYPASS MALE X FEMALE BSPT	25	850	OK	659,70
V3099BSPT	WS3 NO HARD WATER BYPASS MALE X FEMALE BSPT	25	850	OK	2105,93
V3162-007	WS1 DLFC 007 (0.7 GPM) FOR 3/4"	15	760	NO	3,48
V3162-010	WS1 DLFC 010 (1.0 GPM) FOR 3/4"	15	760	NO	3,48
V3162-013	WS1 DLFC 013 (1.3 GPM) FOR 3/4"	15	760	OK	3,48
V3162-017	WS1 DLFC 017 (1.7 GPM) FOR 3/4"	15	760	OK	3,48
V3162-022	WS1 DLFC 022 (2.2 GPM) FOR 3/4"	15	760	OK	3,48
V3162-027	WS1 DLFC 027 (2.7 GPM) FOR 3/4"	15	760	OK	3,48
V3162-032	WS1 DLFC 032 (3.2 GPM) FOR 3/4"	15	760	OK	3,48
V3162-042	WS1 DLFC 042 (4.2 GPM) FOR 3/4"	15	760	OK	3,48
V3162-053	WS1 DLFC 053 (5.3 GPM) FOR 3/4"	15	760	OK	3,48
V3162-065	WS1 DLFC 065 (6.5 GPM) FOR 3/4"	15	760	OK	3,48
V3162-075	WS1 DLFC 075 (7.5 GPM) FOR 3/4"	15	760	OK	3,48
V3162-090	WS1 DLFC 090 (9.0 GPM) FOR 3/4"	15	760	OK	3,48
V3162-100	WS1 DLFC 100 (10.0 GPM) FOR 3/4"	15	760	OK	3,48



## CLACK VALVE: WS2H, WS3

Ref	Description	Fam.	Subfam.	Disp. Stock	Price Euro
V3190-090	WS1 DLFC 090 (9.0 GPM) FOR 1"	25	850	OK	8,64
V3190-100	WS1 DLFC 100 (10.0 GPM) FOR 1"	25	850	OK	8,64
V3190-110	WS1 DLFC 110 (11.0 GPM) FOR 1"	25	850	OK	8,64
V3190-130	WS1 DLFC 130 (13.0 GPM) FOR 1"	25	850	OK	8,64
V3190-150	WS1 DLFC 150 (15.0 GPM) FOR 1"	25	850	OK	8,64
V3190-170	WS1 DLFC 170 (17.0 GPM) FOR 1"	25	850	OK	8,64
V3190-200	WS1 DLFC 200 (20.0 GPM) FOR 1"	25	850	OK	8,64
V3190-250	WS1 DLFC 250 (25.0 GPM) FOR 1"	25	850	OK	8,64
V3260BSPT-02	WS2H/2 QC 2" SIDE MOUNT BASE ASSEMBLY BSPT	25	850	OK	733,55
V4427	WS2H/3 24VDC 0.8A EU POWER SUPPLY	25	850	NO	171,63
V4428EU	WS2H/3 PCB WITH MODBUS EU UPGRADE KIT	25	860	NO	1773,03
V3461-02	WS2H/3 AC 20V ADAPTER USA	25	850	NO	50,01
V3461EU-01	WS2H/3 AC 20V ADAPTER EU	25	850	NO	113,83
V3461EU-02	WS2H/3 24VDC 0.8A EU POWER SUPPLY	25	850	OK	61,44
V3474	WS ALTERNATING CONNECTION CORD 8' BLACK FOR SINGLE METER (3 WIRE INTERCO)	25	860	OK	15,53
V3475-12	WS2H/3 SYSTEM CONNECTION CORD 12' RED	25	850	NO	28,67
V3475-24	WS2H/3 SYSTEM CONNECTION CORD 24' BLUE	25	850	NO	52,15
V3475-36	WS2H/3 SYSTEM CONNECTION CORD 36' YELLOW	25	850	NO	70,74
V3674BSPT-02	WS3 SIDE MOUNT BASE ASSEMBLY BSPT	25	850	OK	1057,50
V3764BSPT	WS3 DLFC ASSY 3 M-BSPT X 3 F-BSPT (NO DLFC BUTTONS)	25	850	OK	700,66
V4039	WS3 METER ASSEMBLY WITH 4' CORD	25	850	NO	176,05
V4051WC	WS2H/3 WEATHER COVER	25	850	NO	471,56
V-D1199-05	TOP STACK DISTRIBUTOR 63 MM	25	850	NO	103,65
V-D1200-04	TOP STACK DISTRIBUTOR 63 MM FOR FLANGE TANKS	25	850	OK	100,37





## INJECTORS FOR VARIOUS TANK SIZES: WS1 e WS1.25 (CAN BE ORDERED SEPARATELY)

Ref	Description	Fam.	Subfam.	Disp. Stock	Price Euro
V3010-1A	WS1 INJECTOR ASSEMBLY A BLACK	15	770	NO	6,78
V3010-1B	WS1 INJECTOR ASSEMBLY B BROWN	15	770	OK	6,78
V3010-1C	WS1 INJECTOR ASSEMBLY C VIOLET	15	770	OK	6,78
V3010-1D	WS1 INJECTOR ASSEMBLY D RED	15	770	OK	6,78
V3010-1E	WS1 INJECTOR ASSEMBLY E WHITE	15	770	OK	6,78
V3010-1F	WS1 INJECTOR ASSEMBLY F BLUE	15	770	OK	6,78
V3010-1G	WS1 INJECTOR ASSEMBLY G YELLOW	15	770	OK	6,78
V3010-1H	WS1 INJECTOR ASSEMBLY H GREEN	15	770	OK	6,78
V3010-1I	WS1 INJECTOR ASSEMBLY I ORANGE	15	770	OK	6,78
V3010-1J	WS1 INJECTOR ASSEMBLY J LIGHT BLUE	15	770	OK	6,78
V3010-1K	WS1 INJECTOR ASSEMBLY K LIGHT GREEN	15	770	OK	6,78
V3010-1Z	WS1 INJECTOR ASSEMBLY Z PLUG	15	770	OK	2,32

Ref	Injector Color	Typical Tank Diameter Downflow Brine	Typical Tank Diameter Upflow Brine
V3010-1A	Black	6"	8"
V3010-1B	Brown	7"	9"
V3010-1C	Violet	8"	10"
V3010-1D	Red	9"	12"
V3010-1E	White	10"	13"
V3010-1F	Blue	12"	14"
V3010-1G	Yellow	13"	14"
V3010-1H	Green	14"	16"
V3010-1I	Orange	16"	18"
V3010-1J	Light Blue	18"	21"
V3010-1K	Light Green	21"	N.A
V3010-1Z	N.A	N.A	N.A

- Note: Injector Recommendations - Above injectors are for downflow brining units,
- For upflow brining units the injector should be "down-sized" two tank sizes.
- Example: A 8" downflow softener would use a "C" injector, where as a 8" upflow softener would use an "A" injector



## INJECTORS FOR VARIOUS TANK SIZES: WS1.5 (CAN BE ORDERED SEPARATELY)

Ref	Description	Fam.	Subfam.	Disp. Stock	Price Euro
V3010-15B	WS1.5 INJECTOR ASSEMBLY B VIOLET	25	860	NO	42,58
V3010-15C	WS1.5 INJECTOR ASSEMBLY C RED	25	860	NO	42,58
V3010-15D	WS1.5 INJECTOR ASSEMBLY D WHITE	25	860	OK	42,58
V3010-15E	WS1.5 INJECTOR ASSEMBLY E BLUE	25	860	OK	42,58
V3010-15F	WS1.5 INJECTOR ASSEMBLY F YELLOW	25	860	OK	42,58
V3010-15G	WS1.5 INJECTOR ASSEMBLY G GREEN	25	860	OK	42,58
V3010-15H	WS1.5 INJECTOR ASSEMBLY H ORANGE	25	860	OK	42,58
V3010-15Z	WS1.5 INJECTOR ASSEMBLY Z PLUG	25	860	NO	13,79

Ref	Injector Color	Typical Tank Diameter/ Down Flow Brine	Typical Tank Diameter/ Up Flow Brine
V3010-15B	Violet	12"	14"
V3010-15C	Red	13"	16"
V3010-15D	White	14"	18"
V3010-15E	Blue	16"	21"
V3010-15F	Yellow	18"	24"
V3010-15G	Green	21"	30"
V3010-15H	Orange	24"	n/a
V3010-15Z		n/a	

**Note:** Injector Recommendations - Above injectors are for downflow brining units,

- For upflow brining units the injector should be "down-sized" two tank sizes.
- Example: A 24" downflow softener would use a "H" injector, where as a 24" upflow softener would use an "F" injector



## INJECTORS FOR VARIOUS TANK SIZES: WS2/2H/3 (CAN BE ORDERED SEPARATELY)

Ref	Description	Fam.	Subfam.	Disp. Stock	Price Euro
V3010-2A	WS2/2H/3 INJECTOR ASSEMBLY A	25	860	OK	48,19
V3010-2B	WS2/2H/3 INJECTOR ASSEMBLY B	25	860	OK	48,19
V3010-2C	WS2/2H/3 INJECTOR ASSEMBLY C	25	860	OK	48,19
V3010-2D	WS2/2H/3 INJECTOR ASSEMBLY D	25	860	OK	48,19
V3010-2E	WS2/2H/3 INJECTOR ASSEMBLY E	25	860	OK	48,19
V3010-2F	WS2/2H/3 INJECTOR ASSEMBLY F	25	860	OK	48,19
V3010-2G	WS2/2H/3 INJECTOR ASSEMBLY G	25	860	OK	48,19
V3010-2H	WS2H/3 INJECTOR ASSEMBLY H	25	860	OK	89,34

Ref	Injector	Typical Tank Diameter/ Down Flow Brine	Typical Tank Diameter/ Up Flow Brine
V3010-2A	Stamped A	18"	24"
V3010-2B	Stamped B	21"	30"
V3010-2C	Stamped C	24"	36"
V3010-2D	Stamped D	30"	42"
V3010-2E	Stamped E	36"	48"
V3010-2F	Stamped F	42"	n/a
V3010-2G	Stamped G	48"	n/a
V3010-2H	Gray PVC	63"	n/a

**Note:** Injector Recommendations - Above injectors are for downflow brining units,

- For upflow brining units the injector should be "down-sized" two tank sizes.
- Example: A 24" downflow softener would use a "C" injector, where as a 24" upflow softener would use an "A" injector



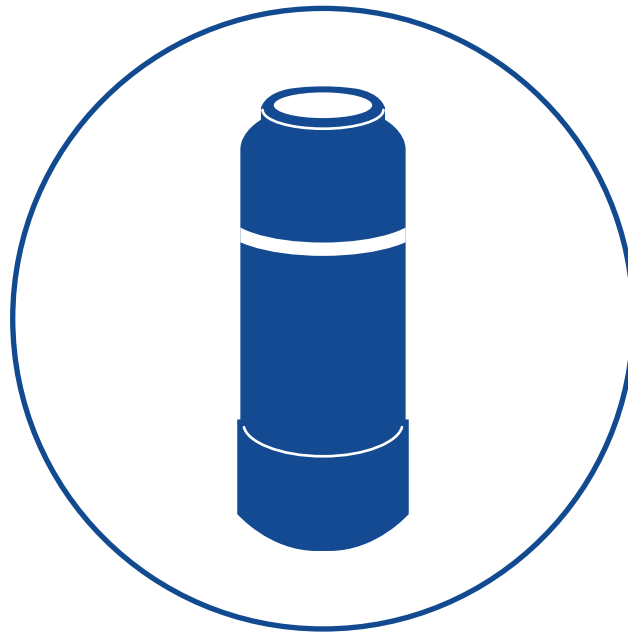
## INJECTORS FOR VARIOUS TANK SIZES: WS2 (CAN BE ORDERED SEPARATELY)

Ref	Description	Fam.	Subfam.	Disp. Stock	Price Euro
V3010-2R-15B	WS2/WS2H INJECTOR R MODIFIED ASSEMBLY W/3010-15B(12" DOWNFLOW)	25	860	NO	67,57
V3010-2S-15C	WS2/WS2H INJECTOR S MODIFIED ASSEMBLY W/3010-15C(13" DOWNFLOW)	25	860	NO	67,57
V3010-2T-15D	WS2/WS2H INJECTOR T MODIFIED ASSEMBLY W/3010-15D(14" DOWNFLOW)	25	860	NO	67,57
V3010-2U-15E	WS2/WS2H INJECTOR U MODIFIED ASSEMBLY W/3010-15E(16" DOWNFLOW)	25	860	NO	67,57
V3010-2A	WS2/2H/3 INJECTOR ASSEMBLY A	25	860	OK	48,19
V3010-2B	WS2/2H/3 INJECTOR ASSEMBLY B	25	860	OK	48,19
V3010-2C	WS2/2H/3 INJECTOR ASSEMBLY C	25	860	OK	48,19
V3010-2D	WS2/2H/3 INJECTOR ASSEMBLY D	25	860	OK	48,19
V3010-2E	WS2/2H/3 INJECTOR ASSEMBLY E	25	860	OK	48,19
V3010-2F	WS2/2H/3 INJECTOR ASSEMBLY F	25	860	OK	48,19
V3010-2G	WS2/2H/3 INJECTOR ASSEMBLY G	25	860	OK	48,19

Ref	Typical Tank Diameter/ Down Flow Brine	Typical Tank Diameter/ Up Flow Brine
V3010-2R-15B	12"	14"
V3010-2S-15C	13"	16"
V3010-2T-15D	14"	18"
V3010-2U-15E	16"	21"
V3010-2A	18"	24"
V3010-2B	21"	30"
V3010-2C	24"	36"
V3010-2D	30"	42"
V3010-2E	36"	48"
V3010-2F	42"	n/a
V3010-2G	48"	n/a

**Note:** Injector Recommendations - Above injectors are for downflow brining units,

- For upflow brining units the injector should be "down-sized" two tank sizes.
- Example: A 24" downflow softener would use a "C" injector, where as a 24" upflow softener would use an "A" injector



# PRESSURE VESSELS AND ACCESSORIES

MWG, Structural



[BACK  
TO INDEX](#)



## MWG Residential Pressure Vessels with Base



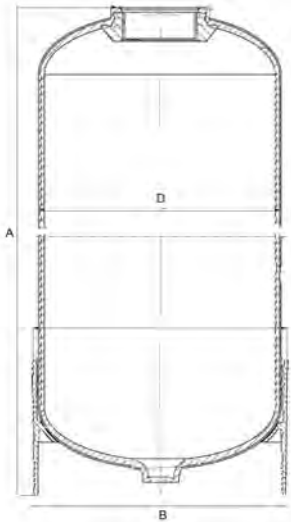
- Made in China;
- Composite pressure vessels PE liner reinforced with fiberglass and epoxy resin;
- For industrial and potable water treatment systems;
- European 2014/68/EU Directive compliant for pressure equipment (PED);
- Max operating pressure 10 bar; max operating temperature 50°C;
- Top connection threaded 2 1/2" - 8NPSM or 4" - 8UN; Cycle test 100.000 times from 0 to 10,5 bar;
- Burst test to 4 times max operating pressure;
- Blue colour;
- Warranty 10 years;
- **Note:** vacuum breaker and flexible connection mounting recommended.

Ref.	Description	Fam.	Subfam.	Disp. Stock	Price Euro
BMWG05013BB	MWG PRESSURE VESSEL 5X13 2.5" BLUE	43	412	OK	34,51
BMWG06013BB	MWG PRESSURE VESSEL 6X13 2.5" BLUE	43	412	OK	39,50
BMWG06018BB	MWG PRESSURE VESSEL 6X18 2.5" BLUE	43	412	OK	42,21
BMWG06035BB	MWG PRESSURE VESSEL 6X35 2.5" BLUE	43	412	OK	68,75
BMWG07013BB	MWG PRESSURE VESSEL 7X13 2.5" BLUE	43	412	OK	41,11
BMWG07017BB	MWG PRESSURE VESSEL 7X17 2.5" BLUE	43	412	OK	45,95
BMWG07024BB	MWG PRESSURE VESSEL 7X24 2.5" BLUE	43	412	OK	60,46
BMWG07030BB	MWG PRESSURE VESSEL 7X30 2.5" BLUE	43	412	OK	68,43
BMWG07035BB	MWG PRESSURE VESSEL 7X35 2.5" BLUE	43	412	OK	74,09
BMWG08013BB	MWG PRESSURE VESSEL 8X13 2.5" BLUE	43	412	OK	46,26
BMWG08017BB	MWG PRESSURE VESSEL 8X17 2.5" BLUE	43	412	OK	51,49
BMWG08024BB	MWG PRESSURE VESSEL 8X24 2.5" BLUE	43	412	OK	65,74
BMWG08030BB	MWG PRESSURE VESSEL 8X30 2.5" BLUE	43	412	OK	72,86
BMWG08035BB	MWG PRESSURE VESSEL 8X35 2.5" BLUE	43	412	OK	81,92
BMWG08044BB	MWG PRESSURE VESSEL 8X44 2.5" BLUE	43	412	OK	91,93
BMWG09017BB	MWG PRESSURE VESSEL 9X17 2.5" BLUE	43	412	OK	55,33
BMWG09024BB	MWG PRESSURE VESSEL 9X24 2.5" BLU	43	412	OK	66,48
BMWG09030BB	MWG PRESSURE VESSEL 9X30 2.5" BLUE	43	412	OK	76,14
BMWG09035BB	MWG PRESSURE VESSEL 9X35 2.5" BLUE	43	412	OK	86,40
BMWG09042BB	MWG PRESSURE VESSEL 9X42 2.5" BLUE	43	412	OK	96,21
BMWG09048BB	MWG PRESSURE VESSEL 9X48 2.5" BLUE	43	412	OK	107,78
BMWG10017BB	MWG PRESSURE VESSEL 10X17 2.5" BLUE	43	412	OK	59,45
BMWG10019BB	MWG PRESSURE VESSEL 10X19 2.5" BLUE	43	412	OK	67,39
BMWG10024BB	MWG PRESSURE VESSEL 10X24 2.5" BLUE	43	412	OK	76,36
BMWG10030BB	MWG PRESSURE VESSEL 10X30 2.5" BLUE	43	412	OK	81,85
BMWG10035BB	MWG PRESSURE VESSEL 10X35 2.5" BLUE	43	412	OK	102,13
BMWG10044BB	MWG PRESSURE VESSEL 10X44 2.5" BLUE	43	412	OK	113,24
BMWG10047BB	MWG PRESSURE VESSEL 10X47 2.5" BLUE	43	412	OK	119,51
BMWG10054BB	MWG PRESSURE VESSEL 10X54 2.5" BLUE	43	412	OK	113,86
BMWG10054GB	MWG PRESSURE VESSEL 10X54 4" BLUE	43	412	OK	134,87
BMWG12048BB	MWG PRESSURE VESSEL 12X48 2.5" BLUE	43	412	OK	141,14
BMWG12052BB	MWG PRESSURE VESSEL 12X52 2.5" BLUE	43	412	OK	172,63
BMWG13044BB	MWG PRESSURE VESSEL 13X44 2.5" BLUE	43	412	OK	167,91
BMWG13054BB	MWG PRESSURE VESSEL 13X54 2.5" BLUE	43	412	OK	178,43
BMWG13054GB	MWG PRESSURE VESSEL 13X54 4" BLUE	43	412	OK	195,71



## MWG Residential Pressure Vessels with Base

### Characteristics



Ref	Volume (Liters)	External D (mm)	A (mm)	B (mm)	Connection
BMWG05013BB	3,1	130	335 ± 6	135	2½
BMWG06013BB	4,7	155	335 ± 6	165	2½
BMWG06018BB	7,0	155	460 ± 6	165	2½
BMWG06035BB	14,8	155	892 ± 6	165	2½
BMWG07013BB	6,1	180	335 ± 6	188	2½
BMWG07017BB	8,4	180	435 ± 6	188	2½
BMWG07024BB	12,4	180	605 ± 6	188	2½
BMWG07030BB	16,1	180	770 ± 6	188	2½
BMWG07035BB	18,8	180	892 ± 6	188	2½
BMWG08013BB	7,8	207	332 ± 6	216	2½
BMWG08017BB	10,8	207	435 ± 6	216	2½
BMWG08024BB	16,4	207	620 ± 6	216	2½
BMWG08030BB	20,8	207	768 ± 6	216	2½
BMWG08035BB	24,5	207	892 ± 6	216	2½
BMWG08044BB	31,2	207	1125 ± 6	216	2½
BMWG09017BB	13,8	231	450 ± 6	240	2½
BMWG09024BB	20,5	231	617 ± 6	240	2½
BMWG09030BB	26,9	231	770 ± 6	240	2½
BMWG09035BB	32,1	231	895 ± 6	240	2½
BMWG09042BB	38,4	231	1070 ± 6	240	2½
BMWG09048BB	44,4	231	1221 ± 6	240	2½
BMWG10017BB	16,7	258	440 ± 6	266	2½
BMWG10019BB	19,3	258	479 ± 6	266	2½
BMWG10024BB	25,2	258	605 ± 6	266	2½
BMWG10030BB	33,0	258	775 ± 6	266	2½
BMWG10035BB	39,4	258	896 ± 6	266	2½
BMWG10044BB	51	258	1128 ± 6	266	2½
BMWG10047BB	54	258	1190 ± 6	266	2½
BMWG10054BB	63	258	1385 ± 6	266	2½
BMWG10054GB	63	258	1385 ± 6	266	4
BMWG12048BB	78	310	1234 ± 6	318	2½
BMWG12052BB	84,5	310	1334 ± 6	318	2½
BMWG13044BB	82	335	1118 ± 6	343	2½
BMWG13054BB	103	335	1375 ± 6	343	2½
BMWG13054GB	103	335	1375 ± 6	343	4

Certificates	Manufacturer	Sectors
DM174-2004, ACS, KTW CE, EAC	<b>MWG</b>	Domestic

## Spare Parts for MWG Pressure Vessels

### Bases for MWG Pressure Vessels

Ref.	Description	Fam.	Subfam.	Disp. Stock	Price Euro
BMWGS06	MWG STANDARD BASE 6"	43	196	OK	3,92
BMWGS07	MWG STANDARD BASE 7"	43	196	OK	5,03
BMWGS08	MWG STANDARD BASE 8"	43	196	OK	6,15
BMWGS09	MWG STANDARD BASE 9"	43	196	OK	7,27
BMWGS10	MWG STANDARD BASE 10"	43	196	OK	10,07

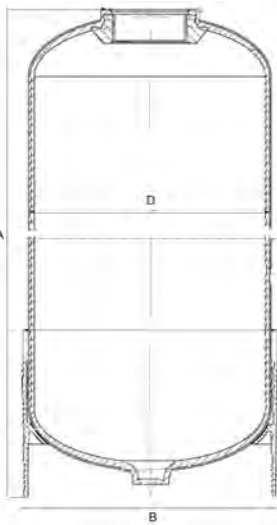


## Structural Residential Pressure Vessels with Base



- Made in European Union (Belgium);
- Composite pressure vessels PE liner reinforced with fiberglass and epoxy resin; For industrial and potable water treatment systems;
- Max operating pressure 10 bar;
- Max operating temperature 50°C;
- Top connection threaded 2 ½" - 8NPSM or 4"- 8UN;
- Cycle test 250.000 times from 0,7 to 10 bar;
- Burst test to 4 times max operating pressure;
- Blue colour;
- Warranty 5 years;
- **Note:** vacuum breaker and flexible connection mounting recommended.

Ref.	Description	Fam.	Subfam.	Disp. Stock	Price Euro
BSQ0618A3	STRUCTURAL PRESSURE VESSEL 6X18 2.5" BLUE	43	432	OK	51,87
BSQ0735A3	STRUCTURAL PRESSURE VESSEL 7X35 2.5" BLUE	43	432	OK	81,93
BSQ0817A3	STRUCTURAL PRESSURE VESSEL 8X17 2.5" BLUE	43	432	OK	57,61
BSQ0835A3	STRUCTURAL PRESSURE VESSEL 8X35 2.5" BLUE	43	432		85,75
BSQ0935A3	STRUCTURAL PRESSURE VESSEL 9X35 2.5" BLUE	43	432	OK	91,21
BSQ1019A3	STRUCTURAL PRESSURE VESSEL 10X19 2.5" BLUE	43	432	NO	68,63
BSQ1035A3	STRUCTURAL PRESSURE VESSEL 10X35 2.5" BLUE	43	432	OK	105,87
BSQ1044P3	STRUCTURAL PRESSURE VESSEL 10X44 2.5" BLUE	43	432	OK	119,73
BSQ1054P3	STRUCTURAL PRESSURE VESSEL 10X54 2.5" BLUE	43	432	OK	125,26
BSQ1248P3	STRUCTURAL PRESSURE VESSEL 12X48 2.5" BLUE	43	432	OK	148,85
BSQ1252P3	STRUCTURAL PRESSURE VESSEL 12X52 2.5" BLUE	43	432	OK	183,05
BSQ1354A3	STRUCTURAL PRESSURE VESSEL 13X54 2.5" BLUE	43	432	OK	197,75



Ref	Volume (liters)	External D (mm)	A (mm)	B (mm)	Connection
BSQ0618A3	6,9	159	475 ± 2	170	2½
BSQ0735A3	20,4	184	901 ± 2	195	2½
BSQ0817A3	11,0	208	435 ± 2	220	2½
BSQ0835A3	25,7	208	902 ± 2	220	2½
BSQ0935A3	31,3	233	903 ± 2	240	2½
BSQ1019A3	19,1	257	502 ± 2	269	2½
BSQ1035A3	38,9	257	903 ± 2	269	2½
BSQ1044P3	48	257	1122 ± 2	269	2½
BSQ1054P3	61	257	1385 ± 2	269	2½
BSQ1248P3	76	304	1232 ± 3	315	2½
BSQ1252P3	84	304	1335 ± 3	315	2½
BSQ1354A3	103	334	1371 ± 3	330	2½

Certificates	Manufacturer	Sectors
DM174-2004, ACS, KTW, WRAS, CE	Pentair	Domestic





## MWG Residential Pressure Vessels without Base

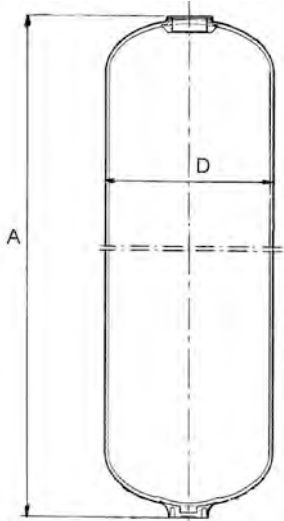


- Made in China;
- Composite pressure vessels PE liner reinforced with fiberglass and epoxy resin;
- For industrial and potable water treatment systems;
- Max operating temperature 50°C;
- Top connection threaded 2 ½" - 8NPSM or 4"- 8UN;
- Cycle test 100.000 times from 0 to 10,5 bar;
- Burst test to 4 times max operating pressure;
- Blue colour;
- Warranty 10 years;
- **Note:** vacuum breaker and flexible connection mounting recommended.

Ref.	Description	Fam.	Subfam.	Disp. Stock	Price Euro
BMWG05013AB	MWG PRESSURE VESSEL 5X13 2.5" NO BASE BLUE	43	410	OK	31,44
BMWG05017AB	MWG PRESSURE VESSEL 5X17 2.5" NO BASE BLUE	43	410	OK	34,95
BMWG05024AB	MWG PRESSURE VESSEL 5X24 2.5" NO BASE BLUE	43	410	OK	44,54
BMWG06013AB	MWG PRESSURE VESSEL 6X13 2.5" NO BASE BLUE	43	410	OK	35,09
BMWG06017AB	MWG PRESSURE VESSEL 6X17 2.5" NO BASE BLUE	43	410	OK	37,53
BMWG06024AB	MWG PRESSURE VESSEL 6X24 2.5" NO BASE BLUE	43	410	OK	49,37
BMWG07013AB	MWG PRESSURE VESSEL 7X13 2.5" NO BASE BLUE	43	410	OK	38,40
BMWG07017AB	MWG PRESSURE VESSEL 7X17 2.5" NO BASE BLUE	43	410	OK	43,17
BMWG07019AB	MWG PRESSURE VESSEL 7X19 2.5" NO BASE BLUE	43	410	OK	45,65
BMWG07024AB	MWG PRESSURE VESSEL 7X24 2.5" NO BASE BLUE	43	410	OK	56,64
BMWG07030AB	MWG PRESSURE VESSEL 7X30 2.5" NO BASE BLUE	43	410	OK	64,96
BMWG07035AB	MWG PRESSURE VESSEL 7X35 2.5" NO BASE BLUE	43	410	OK	68,88
BMWG08013AB	MWG PRESSURE VESSEL 8X13 2.5" NO BASE BLUE	43	410	OK	42,76
BMWG08017AB	MWG PRESSURE VESSEL 8X17 2.5" NO BASE BLUE	43	410	OK	48,20
BMWG08024AB	MWG PRESSURE VESSEL 8X24 2.5" NO BASE BLUE	43	410	OK	61,25
BMWG08030AB	MWG PRESSURE VESSEL 8X30 2.5" NO BASE BLUE	43	410	OK	71,07
BMWG08035AB	MWG PRESSURE VESSEL 8X35 2.5" NO BASE BLUE	43	410	OK	77,51
BMWG09017AB	MWG PRESSURE VESSEL 9X17 2.5" NO BASE BLUE	43	410	OK	51,56
BMWG09024AB	MWG PRESSURE VESSEL 9X24 2.5" NO BASE BLUE	43	410	OK	62,96
BMWG09030AB	MWG PRESSURE VESSEL 9X30 2.5" NO BASE BLUE	43	410	OK	72,72
BMWG09035AB	MWG PRESSURE VESSEL 9X35 2.5" NO BASE BLUE	43	410	OK	82,72
BMWG10017AB	MWG PRESSURE VESSEL 10X17 2.5" NO BASE BLUE	43	410	OK	56,40
BMWG10019AB	MWG PRESSURE VESSEL 10X19 2.5" NO BASE BLUE	43	410	OK	63,08
BMWG10024AB	MWG PRESSURE VESSEL 10X24 2.5" NO BASE BLUE	43	410	OK	69,20
BMWG10030AB	MWG PRESSURE VESSEL 10X30 2.5" NO BASE BLUE	43	410	OK	79,21
BMWG10035AB	MWG PRESSURE VESSEL 10X35 2.5" NO BASE BLUE	43	410	OK	96,75



## MWG Residential Pressure Vessels without Base



Ref	Volume (liters)	External D (mm)	A (mm)	Connection (inch)
BMWG05013AB	3,1	129	329 ± 3	2½
BMWG05017AB	4,3	129	431 ± 3	2½
BMWG05024AB	6,4	129	611 ± 3	2½
BMWG06013AB	4,7	159	329 ± 3	2½
BMWG06017AB	6,5	159	431 ± 3	2½
BMWG06024AB	9,8	159	611 ± 3	2½
BMWG07013AB	5,9	180	329 ± 3	2½
BMWG07017AB	8,2	180	431 ± 3	2½
BMWG07019AB	9,4	180	483 ± 3	2½
BMWG07024AB	12,4	180	611 ± 3	2½
BMWG07030AB	16,1	180	771 ± 3	2½
BMWG07035AB	18,9	180	891 ± 3	2½
BMWG08013AB	7,6	207	329 ± 3	2½
BMWG08017AB	10,7	207	431 ± 3	2½
BMWG08024AB	16,3	207	611 ± 3	2½
BMWG08030AB	21,2	207	771 ± 3	2½
BMWG08035AB	25,0	207	891 ± 3	2½
BMWG09017AB	13,3	230	431 ± 3	2½
BMWG09024AB	20,3	230	611 ± 3	2½
BMWG09030AB	26,5	230	771 ± 3	2½
BMWG09035AB	31,1	230	891 ± 3	2½
BMWG10017AB	16,4	257,5	431 ± 3	2½
BMWG10019AB	19,0	257,5	483 ± 3	2½
BMWG10024AB	25,2	257,5	611 ± 3	2½
BMWG10030AB	33,0	257,5	771 ± 3	2½
BMWG10035AB	38,8	257,5	891 ± 3	2½

Certificates	Manufacturer	Sectors
DM174-2004 ACS KTW CE, EAC	<b>MWG</b>	Domestic



## MWG Dome-Hole Residential Pressure Vessels



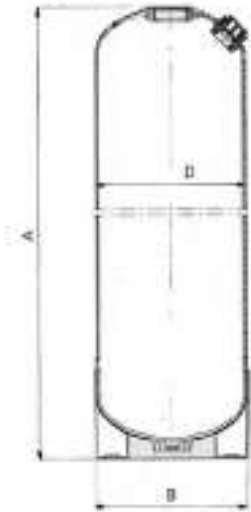
- Made in China;
- Composite pressure vessels PE lined reinforced with fiberglass and epoxy resin;
- 1 ¼" opening on the dome top of the tank with Noryl plug;
- For industrial and drinking water treatment systems;
- European 2014/68/EU Directive compliant for pressure equipment (PED);
- Max operating pressure 10 bar;
- Max operating temperature 50°C;
- Top connection threaded 2 ½" -8NPSM;
- Cycle test 100.000 times from 0 to 10,5 bar;
- Burst test to 4 times max operating pressure;
- Blue colour;
- 10 years warranty.

Ref.	Description	Fam.	Subfam.	Disp. Stock	Price Euro
BMWG10044QB	MWG PRESSURE VESSEL 10X44 DOME HOLE 2.5" BLUE	43	415	OK	162,06
BMWG10054QB	MWG PRESSURE VESSEL 10X54 DOME HOLE 2.5" BLUE	43	415	OK	177,35
BMWG12052QB	MWG PRESSURE VESSEL 12X52 DOME HOLE 2.5" BLUE	43	415	OK	227,82
BMWG13054QB	MWG PRESSURE VESSEL 13X54 DOME HOLE 2.5" BLUE	43	415	OK	242,52

Ref.	Volume (liters)	D External (mm)	A (mm)	B (mm)	Connection (inches)
BMWG10044QB	51	258	1128	261	2½
BMWG10054QB	63	258	1388	261	2½
BMWG12052QB	84,5	306	1322	311	2½
BMWG13054QB	103	332	1369	336	2½

Ref.	Box: WxLxH	Box: Q.ty	Box: Weight	Pallet: WxLxH	Pallet: Q.ty	Pallet: Weight
BMWG10044QB						
BMWG10054QB						
BMWG12052QB						
BMWG13054QB						

Certificates	Manufacturer	Sectors
CE	<b>MWG</b>	Commercial, Industrial



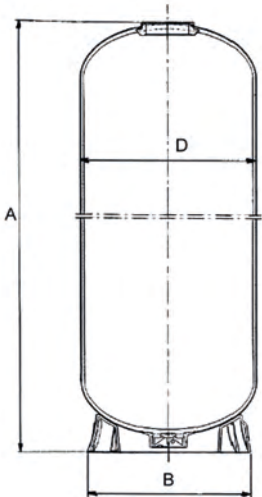


## MWG Industrial Pressure Vessels With Threaded Top Opening



- Made in China; Composite pressure vessels PE liner reinforced with fiberglass and epoxy resin;
- For industrial and potable water treatment systems; Cycle test 100.000 times from 0 to 10,5 bar;
- European 2014/68/EU Directive compliant for pressure equipment (PED); Warranty 10 years;
- Max operating pressure 10 bar; Max operating temperature 50°C; Burst test to 4 times max operating pressure;
- Pressure vessels  $\leq 16''$  are shipped with 2.5" reduction; Pressure vessels  $\geq 30''$  are shipped with vacuum breaker;
- **Note:** vacuum breaker and flexible connection mounting are highly recommended.

Ref	Description	Fam.	Subfam.	Disp. Stock	Price Euro
BMWG14052GB	MWG PRESSURE VESSEL 14X52 4" BLUE WITH ADAPTER 2.5"	44	420	OK	238,52
BMWG14065GB	MWG PRESSURE VESSEL 14X65 4" BLUE WITH ADAPTER 2.5"	44	420	OK	288,01
BMWG16052GB	MWG PRESSURE VESSEL 16X52 4" BLUE WITH ADAPTER 2.5"	44	420	OK	286,00
BMWG16065GB	MWG PRESSURE VESSEL 16X65 4" BLUE WITH ADAPTER 2.5"	44	420	OK	321,43
BMWG18053GB	MWG PRESSURE VESSEL 18X53 4" BLUE	44	420	OK	499,54
BMWG18065GB	MWG PRESSURE VESSEL 18X65 4" BLUE	44	420	OK	557,62
BMWG21036GB	MWG PRESSURE VESSEL 21X36 4" BLUE	44	420	OK	583,48
BMWG21053GB	MWG PRESSURE VESSEL 21X53 4" BLUE	44	420	OK	685,29
BMWG21062GB	MWG PRESSURE VESSEL 21X62 4" BLUE	44	420	OK	696,43
BMWG24065GB	MWG PRESSURE VESSEL 24X65 4" BLUE	44	420	OK	1080,33
BMWG24072GB	MWG PRESSURE VESSEL 24X72 4" BLUE	44	420	OK	1109,06
BMWG30072GB	MWG PRESSURE VESSEL 30X72 4" BLUE	44	420	OK	1628,39
BMWG36072GB	MWG PRESSURE VESSEL 36X72 4" BLUE	44	420	OK	2270,93



Ref	Volume (Liters)	External D (mm)	A (mm)	B (mm)	Connection (Inch)
BMWG14052GB	112	360	1325 ± 6	369	4"
BMWG14065GB	142	360	1657 ± 6	369	4"
BMWG16052GB	147	410	1312 ± 6	420	4"
BMWG16065GB	188	410	1648 ± 6	420	4"
BMWG18053GB	189	464	1366 ± 6	451	4"
BMWG18065GB	236	464	1670 ± 6	451	4"
BMWG21036GB	167	540	958 ± 10	532	4"
BMWG21053GB	258	540	1390 ± 10	532	4"
BMWG21062GB	307	540	1620 ± 10	532	4"
BMWG24065GB	424	615	1720 ± 10	612	4"
BMWG24072GB	474	615	1900 ± 10	612	4"
BMWG30072GB	716	767	1890 ± 10	752	4"
BMWG36072GB	1008	920	1965 ± 10	910	4"

Ref	Box: WxLxH.	Box: Q.ty	Box: Weight.	Pallet: WxLxH.	Pallet: Q.ty	Pallet: Weight.
BMWG14052GB						
BMWG14065GB						
BMWG16052GB						
BMWG16065GB						
BMWG18053GB						
BMWG18065GB						
BMWG21036GB						
BMWG21053GB						
BMWG21062GB						
BMWG24065GB						
BMWG24072GB						
BMWG30072GB						
BMWG36072GB						

Certificates	Manufacturer	Sectors
DM174-2004 ACS KTW CE, EAC	<b>MWG</b>	Commercial, Industrial



## Structural Industrial Pressure Vessels With Threaded Top Opening



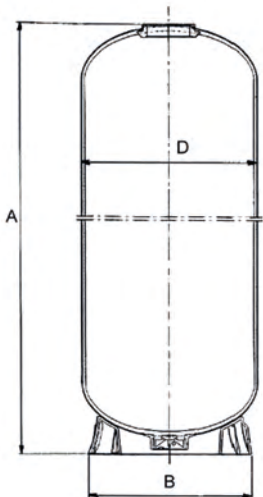
- Made in European Union (Belgium); composite pressure vessels PE liner reinforced with fiberglass and epoxy resin; for industrial and potable water treatment systems;
- European 2014/68/EU Directive compliant for pressure equipment (PED);
- Max operating pressure 10 bar; Max operating temperature 50°C;
- Threaded top connection 4" - 8UN;
- Cycle test 250.000 times from 0,7 to 10 bar; burst test to 4 times max operating pressure;
- Warranty 5 years;
- **Note:** vacuum breaker and flexible connection mounting are highly recommended.

Ref.	Description	Fam.	Subfam.	Disp. Stock	Price Euro
BSRT1465A3REN	STRUCTURAL PRESSURE VESSEL 14X65 4" BLU	44	440	OK	350,56
BSRT1649A3REN	STRUCTURAL PRESSURE VESSEL 16X49 4" BLU	44	440	OK	335,65
BSRT1665A3REN	STRUCTURAL PRESSURE VESSEL 16X65 4" BLU	44	440	OK	385,07
BSRT1865A3EN	STRUCTURAL PRESSURE VESSEL 18X65 4" BLUE	44	440	OK	617,36
BSRT2160A3E	STRUCTURAL PRESSURE VESSEL 21X60 4" BLUE	44	440	OK	825,12

Ref.	Volume (liters)	External D (mm)	A (mm)	B (mm)	Connection (Inch)
BSRT1465A3REN	140	369	1645 ± 20	380	4"
BSRT1649A3REN	125	406	1269 ± 20	420	4"
BSRT1665A3REN	170	406	1632 ± 20	420	4"
BSRT1865A3EN	250	469	1726 ± 20	510	4"
BSRT2160A3E	307	552	1630 ± 20	510	4"

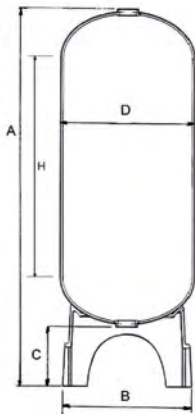
Ref.	Box: WxLxH.	Box: Q.ty	Box: Weight.	Pallet: WxLxH.	Pallet: Q.ty	Pallet: Weight.
BSRT1465A3REN						
BSRT1649A3REN						
BSRT1665A3REN						
BSRT1865A3EN						
BSRT2160A3E						

Certificates	Manufacturer	Sectors
DM174-2004 ACS KTW WRAS CE	Pentair	Commercial, Industrial





## MWG Industrial Pressure Vessels With Top&Bottom Threaded Openings



- Made in China;
- Composite pressure vessels PE liner reinforced with fiberglass and epoxy resin;
- For industrial and potable water treatment systems;
- European 2014/68/EU Directive compliant for pressure equipment (PED);
- Max operating pressure 10 bar;
- Max operating temperature 50°C;
- Top and bottom threaded connection 4"- 8UN; Cycle test 100.000 times from 0 to 10,5 bar;
- Burst test to 4 times max operating pressure;
- Blue colour;
- Warranty 10 years;
- Pressure vessels 30" and greater are shipped with vacuum breaker;
- **Note:** vacuum breaker and flexible connection mounting are highly recommended.

Ref	Description	Fam.	Subfam.	Disp. Stock	Price Euro
BMWG14065HB	MWG PRESSURE VESSEL 14X65 4" + 4" BLUE	44	420	OK	333,96
BMWG16065HB	MWG PRESSURE VESSEL 16X65 4" + 4" BLUE	44	420	OK	376,79
BMWG18065HB	MWG PRESSURE VESSEL 18X65 4" + 4" BLUE	44	420	OK	606,48
BMWG21062HB	MWG PRESSURE VESSEL 21X62 4" + 4" BLUE	44	420	OK	771,11
BMWG24065HB	MWG PRESSURE VESSEL 24X65 4" + 4" BLUE	44	420	OK	1170,73
BMWG24072HB	MWG PRESSURE VESSEL 24X72 4" + 4" BLUE	44	420	OK	1215,43
BMWG30072HB	MWG PRESSURE VESSEL 30X72 4" + 4" BLUE	44	420	OK	1683,07
BMWG36072HB	MWG PRESSURE VESSEL 36X72 4" + 4" BLUE	44	420	OK	2381,07

Ref	Volume (Liters)	External D (mm)	A (mm)	B (mm)	C (mm)	H (mm)	Connection (Inch)
BMWG14065HB	148,5	360	1856 ± 6	369	230	1386	4"
BMWG16065HB	192	410	1880 ± 6	430	250	1365	4"
BMWG18065HB	236	464	1950 ± 10	480	320	1330	4"
BMWG21062HB	307	540	1902 ± 10	555	330	1220	4"
BMWG24065HB	424	615	1916 ± 10	610	246	1220	4"
BMWG24072HB	474	615	2090 ± 10	610	240	1400	4"
BMWG30072HB	716	767	2077 ± 10	762	235	1270	4"
BMWG36072HB	1008	920	2200 ± 10	930	350	1170	4"

Ref	Box: WxLxH.	Box: Q.ty	Box: Weight.	Pallet: WxLxH.	Pallet: Q.ty	Pallet: Weight.
BMWG14065HB						
BMWG16065HB						
BMWG18065HB						
BMWG21062HB						
BMWG24065HB						
BMWG24072HB						
BMWG30072HB						
BMWG36072HB						

Certificates	Manufacturer	Sectors
DM174-2004 ACS KTW CE, EAC	<b>MWG</b>	Commercial, Industrial



## Structural Industrial Pressure Vessels With Top&Bottom Threaded Openings



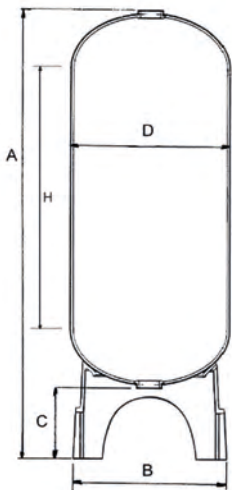
- Made in European Union (Belgium);
- Composite pressure vessels PE liner reinforced with fiberglass and epoxy resin;
- For industrial and potable water treatment systems;
- European 2014/68/EU Directive compliant for pressure equipment (PED);
- Max operating pressure 10 bar;
- Max operating temperature 50°C;
- Top and bottom threaded connection 4" - 8UN;
- Cycle test 250.000 times from 0,7 to 10 bar;
- Burst test to 4 times max operating pressure;
- Blue colour;
- Warranty 5 years;
- Pressure vessels 30" and greater are shipped with vacuum breaker;
- **Attention:** BSRT1865F7E pressure vessel is available with standard base only (not Tripod);
- **Note:** vacuum breaker and flexible connection mounting are highly recommended.

Ref.	Description	Fam.	Subfam.	Disp. Stock	Price Euro
BSRT1865F7E	STRUCTURAL PRESSURE VESSEL 18X65 4" + 4" BLUE	44	440	OK	1062,04
BSRT2160F7E	STRUCTURAL PRESSURE VESSEL 21X60 4" + 4" BLUE	44	440	OK	1409,84
BSRT2469F7E	STRUCTURAL PRESSURE VESSEL 24X69 4" + 4" BLUE	44	440	OK	1416,62
BSRT3072F7E	STRUCTURAL PRESSURE VESSEL 30X72 4" + 4" BLUE	44	440	OK	2701,09
BSRT3672F7E	STRUCTURAL PRESSURE VESSEL 36X72 4" + 4" BLUE	44	440	OK	2611,94

Ref.	Volume (liters)	External D (mm)	A (mm)	B (mm)	C (mm)	H (mm)	Connection (Inch)
BSRT1865F7E	247	473	1885 ± 20	539	217	1342	4"
BSRT2160F7E	310	552	1923 ± 20	539	389	1155	4"
BSRT2469F7E	440	610	2169 ± 20	620	422	1327	4"
BSRT3072F7E	710	770	2248 ± 30	816	413	1313	4"
BSRT3672F7E	1020	927	2305 ± 30	1001	408	1266	4"

Ref.	Box: WxLxH.	Box: Q.ty	Box: Weight.	Pallet: WxLxH.	Pallet: Q.ty	Pallet: Weight.
BSRT1865F7E						
BSRT2160F7E						
BSRT2469F7E						
BSRT3072F7E						
BSRT3672F7E						

Certificates	Manufacturer	Sectors
DM174-2004 ACS KTW WRAS CE	Pentair	Commercial, Industrial





## MWG Pressure Vessels With Flanged Top Opening



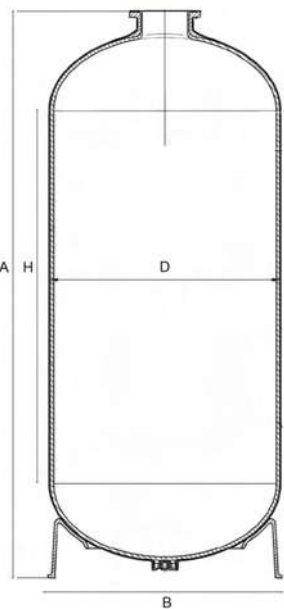
- Made in China;
- Composite pressure vessels PE liner reinforced with fiberglass and epoxy resin;
- For industrial and potable water treatment systems;
- European 2014/68/EU Directive compliant for pressure equipment (PED);
- Max operating pressure 10 bar;
- Max operating temperature 50°C;
- 6" top connection;
- Cycle test 100.000 times from 0 to 10,5 bar;
- Burst test to 4 times max operating pressure;
- Blue colour;
- Warranty 10 years;
- Pressure vessels 30" and bigger are shipped with vacuum breaker;
- **Note:** vacuum breaker and flexible connection mounting are highly recommended.

Ref	Description	Fam.	Subfam.	Disp. Stock	Price Euro
BMWG18068LB	MWG PRESSURE VESSEL 18X68 6" BLUE	44	422	OK	664,07
BMWG21066LB	MWG PRESSURE VESSEL 21X66 6" BLUE	44	422	OK	868,67
BMWG24075LB	MWG PRESSURE VESSEL 24X75 6" BLUE	44	422	OK	1284,78
BMWG30078LB	MWG PRESSURE VESSEL 30X78 6" BLUE	44	422	OK	1807,81
BMWG36078LB	MWG PRESSURE VESSEL 36X78 6" BLUE	44	422	OK	2468,51

Ref	Volume (Liters)	External D (mm)	A (mm)	B (mm)	H (mm)	Connection (Inch)
BMWG18068LB	264	469	1850 ± 25	451	1451	6"
BMWG21066LB	322	544	1745 ± 25	530	1254	6"
BMWG24075LB	460	617	1905 ± 25	612	1404	6"
BMWG30078LB	781	772	2060 ± 25	752	1485	6"
BMWG36078LB	1136	923	2170 ± 25	910	1428	6"

Ref	Box: WxLxH.	Box: Q.ty	Box: Weight.	Pallet: WxLxH.	Pallet: Q.ty	Pallet: Weight.
BMWG18068LB						
BMWG21066LB						
BMWG24075LB						
BMWG30078LB						
BMWG36078LB						

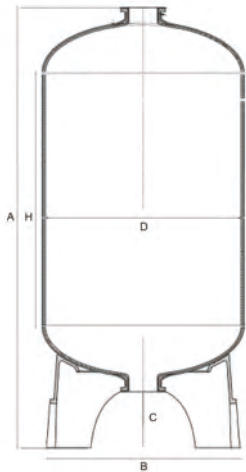
Certificates	Manufacturer	Sectors
DM174-2004 ACS KTW CE, EAC	<b>MWG</b>	Industrial







## MWG Industrial Pressure Vessels With Flanged Top&Bottom Openings



- Made in China;
- Composite pressure vessels PE liner reinforced with fiberglass and epoxy resin;
- For industrial and potable water treatment systems;
- European 2014/68/EU Directive compliant for pressure equipment (PED);
- Max operating pressure 10 bar;
- Max operating temperature 50°C;
- Top and bottom 6" flange connection;
- Cycle test 100.000 times from 0 to 10,5 bar;
- Burst test to 4 times max operating pressure; Blue colour;
- Warranty 10 years;
- Pressure vessels 30" and bigger are shipped with vacuum breaker;
- **Note:** vacuum breaker and flexible connection mounting are highly recommended.

Ref.	Description	Fam.	Subfam.	Disp. Stock	Price Euro
BMWG18068MB	MWG PRESSURE VESSEL 18X68 6" + 6" BLUE	44	422	OK	837,16
BMWG21066MB	MWG PRESSURE VESSEL 21X66 6" + 6" BLUE	44	422	OK	1055,09
BMWG24075MB	MWG PRESSURE VESSEL 24X75 6" + 6" BLUE	44	422	OK	1436,05
BMWG30072MB	MWG PRESSURE VESSEL 30X72 6" + 6" BLUE	44	422	OK	2030,02
BMWG36072MB	MWG PRESSURE VESSEL 36X72 6" + 6" BLUE	44	422	OK	2649,68
BMWG42063PB	MWG PRESSURE VESSEL 42X63 6"+6" BLUE	44	422	OK	2985,29
BMWG42072MB	MWG PRESSURE VESSEL 42X72 6" + 6" BLUE	44	422	NO	3619,00
BMWG42072PB	MWG PRESSURE VESSEL 42X72 6" + 6" BLUE	44	422	OK	3327,70
BMWG48072PB	MWG PRESSURE VESSEL 48X72 6" + 6" BLUE	44	422	OK	4108,50
BMWG63067PB	MWG PRESSURE VESSEL 63X67 6" + 6" BLUE	44	422	OK	5946,01
BMWG63086PB	MWG PRESSURE VESSEL 63X86 6" + 6" BLUE	44	422	OK	6782,89

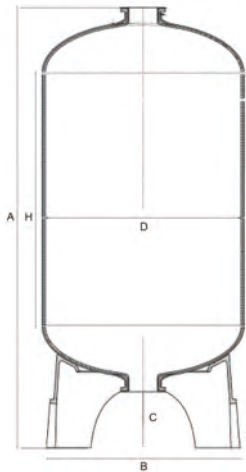
Ref.	Volume (litres)	External D (mm)	A (mm)	B (mm)	C (mm)	H (mm)	Connection (inch)
BMWG18068MB	264	469	2120 ± 25	480	250	1451	6"
BMWG21066MB	322	544	2010 ± 25	554	260	1254	6"
BMWG24075MB	460	617	2180 ± 25	650	265	1404	6"
BMWG30072MB	716	767	2240 ± 25	815	265	1260	6"
BMWG36072MB	1036	920	2270 ± 25	920	275	1195	6"
BMWG42063PB	1224	1085	2145 ± 25	1060	365	955	6"
BMWG42072MB	1425	1085	2285 ± 25	1060	270	1185	6"
BMWG42072PB	1425	1085	2375 ± 25	1060	365	1185	6"
BMWG48072PB	1746	1220	2365 ± 25	1230	365	1110	6"
BMWG63067PB	2623	1620	2120 ± 25	1590	330	660	6"
BMWG63086PB	3296	1620	2465 ± 25	1590	330	1100	6"

Ref.	Box: WxLxH	Box: Q.ty	Box: Weight	Pallet: WxLxH	Pallet: Q.ty	Pallet: Weight
BMWG18068MB						
BMWG21066MB						
BMWG24075MB						
BMWG30072MB						
BMWG36072MB						
BMWG42063PB						
BMWG42072MB						
BMWG42072PB						
BMWG48072PB						
BMWG63067PB						
BMWG63086PB						

Certificates	Manufacturer	Sectors
DM174-2004 ACS KTW CE, EAC	<b>MWG</b>	Industrial



## Structural Industrial Pressure Vessels With Flanged Top&Bottom Openings



- Made in European Union (Belgium);
- Composite pressure vessels PE liner reinforced with fiberglass and epoxy resin;
- For industrial and potable water treatment systems;
- European 2014/68/EU Directive compliant for pressure equipment (PED);
- Max operating pressure 10 bar;
- Max operating temperature 65°C;
- Top and bottom 6" flange connection;
- Cycle test 250.000 times from 0,7 to 10 bar;
- Burst test to 4 times max operating pressure;
- Blue colour; Warranty 5 years;
- Pressure vessels 30" and bigger are shipped with vacuum breaker;
- **Note:** vacuum breaker and flexible connection mounting are highly recommended.

Ref.	Description	Fam.	Subfam.	Disp. Stock	Price Euro
BSC3678F7	STRUCTURAL PRESSURE VESSEL 36X78 6" + 6" BLUE	44	442	OK	2845,99
BSC4278F7	STRUCTURAL PRESSURE VESSEL 42X78 6" + 6" BLUE	44	442	OK	4316,27
BSC4882F7	STRUCTURAL PRESSURE VESSEL 48X82 6" + 6" BLUE	44	442	OK	5056,90
BSC55104F7	STRUCTURAL PRESSURE VESSEL 55X104 6" + 6" BLUE	44	442	NO	13598,06
BSRT6367F7E	STRUCTURAL PRESSURE VESSEL 63X67 6" + 6" BLUE	44	442	OK	7009,34
BSRT6386F7E	STRUCTURAL PRESSURE VESSEL 63X86 6" + 6" BLUE	44	442	OK	7992,98

Ref.	Volume (litres)	External D (mm)	A (mm)	B (mm)	C (mm)	H (mm)	Connection (Inch)
BSC3678F7	1026	923	2340 ± 30	955	370	1245	6"
BSC4278F7	1325	1068	2425 ± 40	1092	435	1140	6"
BSC4882F7	1792	1213	2440 ± 40	1270	408	1124	6"
BSC55104F7	2620	1424	2745 ± 40	1570	618	1106	6"
BSRT6367F7E	2414	1620	2345 ± 40	1570	650	573	6"
BSRT6386F7E	3208	1620	2745 ± 40	1570	650	973	6"

Ref	Box: WxLxH.	Box: Q.ty	Box: Weight.	Pallet: WxLxH.	Pallet: Q.ty	Pallet: Weight.
BSC3678F7						
BSC4278F7						
BSC4882F7						
BSC55104F7						
BSRT6367F7E						
BSRT6386F7E						

Certificates	Manufacturer	Sectors
DM174-2004 ACS KTW WRAS CE	Pentair	Industrial



## Pressure Vessels Accessories

### Adapters



- adapter 4"- 8UN to 2 1/2" - 8NPSM;
- with O-ring.

Ref	Description	Fam.	Subfa m.	Disp. Stock	Price Euro
PV300	ADAPTER 4"x2.1/2"NPSM W/O-RING	45	201	OK	36,80
PV300A	STRUCTURAL ADAPTER 4"x2.1/2" NPSM W/ O-RING - P/NCH4821-2	45	201	NO	92,52
PV300B	ADAPTER 4"x2.1/2" MWG WITH O-RING	45	201	OK	17,80
PV307	PVC ADAPTER 4"-8UN X 2" BSP	45	201	OK	55,60

Ref	Description	Material	Reduction to
PV300	ADAPTER 4"x2.1/2"NPSM W/O-RING	PVC machined	2 1/2" - 8 NPSM
PV300A	STRUCTURAL ADAPTER 4"x2.1/2" NPSM W/ O-RING - P/NCH4821-2	PVC-C	2 1/2" - 8 NPSM
PV300B	ADAPTER 4"x2.1/2" MWG WITH O-RING	ABS	2 1/2" - 8 NPSM
PV307	PVC ADAPTER 4"-8UN X 2" BSP	PVC machined	2" BSP

### Closures



- closure for 4"- 8UN tanks thread;
- with O-ring.

Ref	Description	Fam.	Subfa m.	Disp. Stock	Price Euro
PV301	CLOSURE 4"-8UN W/ O-RING	45	201	OK	34,40

Ref	Description	Material
PV301	CLOSURE 4"-8UN W/ O-RING	PVC machined

### 6" closed flange



- Closed flange complete with bolts, nuts, washer and O-ring;
- Flange material PVC;
- Bolts material AISI 304.

Ref	Description	Fam.	Subfa m.	Disp. Stock	Price Euro
PV510B	6" PVC FLANGED CLOSURE W/ O-RING AND SCREWS*	45	201	OK	100,81

### 6" - 4" adapter



- 6" flanged adapter 4"-8UN, complete with bolts, nuts, washer and O-ring;
- Bolts material AISI 304.

Ref	Description	Fam.	Subfa m.	Disp. Stock	Price Euro
PV511B	FLANGED ADAPTER 6"-4" 8UN W/ O-RING AND SCREWS*	45	201	OK	113,32

Ref	Description	Adapter material
PV511B	FLANGED ADAPTER 6"-4" 8UN W/ O-RING AND SCREWS*	PVC



## Aeration valve & vacuum breaker

- Aeration valve and vacuum breaker in PP;
- Max pressure 10 bar;
- Max temperature 65°C;
- PV308 connection 1,5", drain 1/2";
- PV308B150 connection 1,5", drain 1".

Ref.	Description	Fam.	Subfam.	Disp. Stock	Price Euro
PV308	AERATION VALVE AND VACUUM BREAKER 1,5"	45	201	OK	111,20
PV308B150	MWG AERATION VALVE AND VACUUM BREAKER 1,5"	45	201	OK	18,31



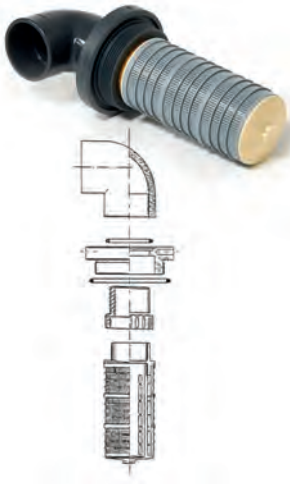
## Cylindrical diffusers

- Cylindrical diffuser for vessels with 4"- 8UN, for upper or lower installation;
- Outlet connection to glue D.63;
- 0,2 mm slots or 0,5 mm;
- Materials: adapter PVC, diffuser PP;
- Flow 20 m3/h at Δp 0,2 bar;
- A. union D63 (REF. PV329);
- B. adapter 4" with gasket (REF. PV332);
- C. reduction 2" M/F (REF. PV335);
- D. diffuser diameter 85 mm length 180 mm.(REF. PV340 0,2 mm slots - REF. PV342 0,5 mm slots).

Ref	Description	Fam.	Subfam.	Disp. Stock	Price Euro
PV351	TOP/BOTTOM CYLINDRICAL DISTRIBUTOR 4"-8UN D.63 PIPE UNION DIFF. 0,2 MM*	45	201	OK	150,53
PV352	TOP/BOTTOM CYLINDRICAL DISTRIBUTOR 4"-8UN D.63 PIPE UNION DIFF. 0,5 MM*	45	201	OK	150,53

Ref	Description	Fessure (mm)	Ø Bombole abbinabili
PV351	TOP/BOTTOM CYLINDRICAL DISTRIBUTOR 4"-8UN D.63 PIPE UNION DIFF. 0,2 MM*	0,2	14" ÷ 36"
PV352	TOP/BOTTOM CYLINDRICAL DISTRIBUTOR 4"-8UN D.63 PIPE UNION DIFF. 0,5 MM*	0,5	14" ÷ 36"

Certificates	Manufacturer	Sectors
		Industrial



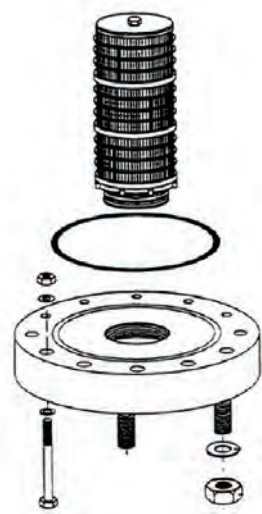
### Cylindrical diffusers with elbow

- Cylindrical diffuser for vessel 4"-8UN, for upper installation;
- Outlet connection with elbow to glue D63;
- 0,2 mm slots or 0,5 mm
- Materials: adapter and elbow PVC, diffuser PP;
- Flow 20 m<sup>3</sup>/h at Δp 0,2 bar;
- Including:
  - A. elbow D63 (REF. PV331);
  - B. adapter 4" with gasket (REF. PV332);
  - C. reduction 2" M/F (REF. PV335);
  - D. diffuser con diameter 85 mm length 180 mm (REF.PV340 0,2 mm slots - REF.PV342 0,5 mm slots).

Ref	Description	Fam.	Subfam.	Disp. Stock	Price Euro
PV350	TOP CYLINDRICAL DISTRIBUTOR 4"-8UN X DN63 ELBOW DIFF. 0,2MM*	45	201	OK	130,84
PV349	TOP CYLINDRICAL DISTRIBUTOR 4"-8UN X DN63 ELBOW DIFF. 0,5MM*	45	201	OK	130,84

Ref	Description	Slots (mm)	Ø Vessel
PV350	TOP CYLINDRICAL DISTRIBUTOR 4"-8UN X DN63 ELBOW DIFF. 0,2MM*	0,2	14" ÷ 36"
PV349	TOP CYLINDRICAL DISTRIBUTOR 4"-8UN X DN63 ELBOW DIFF. 0,5MM*	0,5	14" ÷ 36"

Certificates	Manufacturer	Sectors
		Industrial



## Flanged upper diffusers

- Upper diffuser 6" flanged, complete with bolts, nuts, washer and O-ring;
- Flange material PVC;
- PP cylindrical diffuser 0,2 mm slots or 0,5 mm slots;
- Bolts material AISI 304.

Ref	Description	Fam.	Subfam.	Disp. Stock	Price Euro
PV512	TOP CYLINDRICAL DISTRIBUTOR FLANGED 6" X DN 65 DIFF. 0,2MM - 284 MM*	45	201	OK	367,18
PV514	TOP CYLINDRICAL DISTRIBUTOR FLANGED 6" X DN80 DIFF. 0,2MM - 240 MM*	45	201	OK	416,85
PV515	TOP CYLINDRICAL DISTRIBUTOR FLANGED 6" X DN80 DIFF. 0,2 MM - 312 MM*	45	201	OK	444,51
PV553	CYLINDRICAL DISTRIBUTOR FLANGED 6" DN 80 DIFF. 0,2 MM - 384 MM *	45	201	OK	424,79
PV518	TOP CYLINDRICAL DISTRIBUTOR FLANGED 6" DN100 DIFF0,2 MM - 384 MM*	45	201	OK	473,18
PV513	TOP CYLINDRICAL DISTRIBUTOR FLANGED 6" X DN 65 DIFF. 0,5MM - 284 MM*	45	201	OK	367,18
PV516	TOP CYLINDRICAL DISTRIBUTOR FLANGED 6" DN80 DIFF0,5 MM - 240 MM*	45	201	OK	416,85
PV517	TOP CYLINDRICAL DISTRIBUTOR FLANGED 6" DN80 DIFF0,5 MM - 312 MM*	45	201	OK	444,51
PV554	CYLINDRICAL DISTRIBUTOR FLANGED 6" DN 80 DIFF. 0,5 MM - 384 MM *	45	201	OK	424,79
PV519	TOP CYLINDRICAL DISTRIBUTOR FLANGED 6" DN100 DIFF0,5 MM - 384 MM*	45	201	OK	473,18

Ref	Ø VESSEL	Ø Cylindrical diffuser (mm)	Cylindrical diffuser Length (mm)	Slots (mm)	Flow (m³/h) Δp 0,2 bar
PV512	18" ÷ 36"	85	284	0,2	25
PV514	24" ÷ 36"	120	240	0,2	35
PV515	42" ÷ 48"	120	312	0,2	40
PV553	63"	120	384	0,2	45
PV518	63"	120	384	0,2	60
PV513	18" ÷ 36"	85	284	0,5	25
PV516	24" ÷ 36"	120	240	0,5	35
PV517	42" ÷ 48"	120	312	0,5	40
PV554	63"	120	384	0,5	45
PV519	63"	120	384	0,5	60

Certificates	Manufacturer	Sectors
		Industrial



## Pressure Vessels Accessories

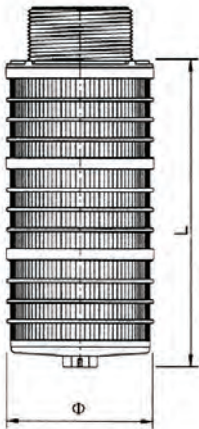
### Cylindrical diffusers

- PP cylindrical diffuser with thread connection 2", 3" or 4";
- Slots 0,2 or 0,5 mm.



Ref	Description	Fam.	Subfam.	Disp. Stock	Price Euro
PV340	CYLINDRICAL DIFFUSER 2" L=180-0.2 MM	45	201	OK	43,55
PV339	CYLINDRICAL DIFFUSER 2" L=284 - 0,2MM	45	201	OK	65,20
PV341	CYLINDRICAL DIFFUSER 2" L=338 - 0,2MM	45	201	OK	73,59
PV342	CYLINDRICAL DIFFUSER 2" L=180 - 0,5MM	45	201	OK	43,55
PV343	CYLINDRICAL DIFFUSER 2" L=284 - 0,5MM	45	201	OK	65,20
PV344	CYLINDRICAL DIFFUSER 2" L=338 - 0,5MM	45	201	OK	73,59
PV364	CYLINDRICAL DIFFUSER 3" L=240 - 0,2MM	45	201	OK	90,09
PV365	CYLINDRICAL DIFFUSER 3" L=312 - 0,2 MM	45	201	OK	107,08
PV366	CYLINDRICAL DIFFUSER 3" L=384 - 0,2 MM	45	201	OK	124,05
PV367	CYLINDRICAL DIFFUSER 3" L=240 - 0,5 MM	45	201	OK	90,09
PV368	CYLINDRICAL DIFFUSER 3" L=312 - 0,5 MM	45	201	OK	107,13
PV369	CYLINDRICAL DIFFUSER 3" L=384 - 0,5 MM	45	201	OK	124,05
PV393	CYLINDRICAL DIFFUSER 4" 8UN L=384 - 0,2 MM	45	201	OK	124,05
PV394	CYLINDRICAL DIFFUSER 4" 8UN L=384 - 0,5 MM	45	201	OK	124,05

Ref	Connection	Ø Diameter(mm)	Lenght(mm)	Slots (mm)
PV340	2"	85	180	0,2
PV339	2"	85	284	0,2
PV341	2"	85	338	0,2
PV342	2"	85	180	0,5
PV343	2"	85	284	0,5
PV344	2"	85	338	0,5
PV364	3"	120	240	0,2
PV365	3"	120	312	0,2
PV366	3"	120	384	0,2
PV367	3"	120	240	0,5
PV368	3"	120	312	0,5
PV369	3"	120	384	0,5
PV393	4"	120	384	0,2
PV394	4"	120	384	0,5



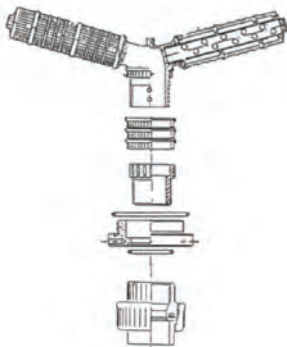
Certificates	Manufacturer	Sectors
		Industrial



## Lower lateral system

- Lower lateral system for vessels with 4" - 8UN opening;
- Outlet connection to glue D63;
- Slots 0,2 or 0,5 mm;
- Materials: adapter PVC, hub and laterals PP;
- Including:
  - A. union D63 (REF. PV329);
  - B. adapter 4" with O-rings (REF. PV332);
  - C. reduction 2" M/F (REF. PV335);
  - D. n.3 spacers (REF. PV337);
  - E. hub (REF. PV336);
  - F. N.5 laterals diameter 54 mm, length = see table.

Ref	Description	Fam.	Subfam.	Disp. Stock	Price Euro
PV353	LOWER LATERAL SYSTEM 4"-8UN X D.63 PRES.VES. 14"-16"-18" SLOTS 0,2 MM*	45	201	OK	170,84
PV354	LOWER LATERAL SYSTEM 4"-8UN X D.63 PRES.VES.21"-24" SLOTS 0,2 MM*	45	201	OK	185,83
PV355	LOWER LATERAL SYSTEM 4"-8UN X D.63 PRES.VES.30" SLOTS 0,2 MM*	45	201	OK	200,19
PV356	LOWER LATERAL SYSTEM 4"-8UN X D.63 PRES.VES.36" SLOTS 0,2 MM*	45	201	OK	215,18
PV360	LOWER LATERAL SYSTEM 4"-8UN X D.63 PRES.VES.14"-16"-18" SLOTS 0,5MM*	45	201	OK	170,84
PV361	LOWER LATERAL SYSTEM 4"-8UN X D.63 PRES.VES.21"-24" SLOTS 0,5MM*	45	201	OK	185,83
PV362	LOWER LATERAL SYSTEM 4"-8UN X D.63 PRES.VES.30" SLOTS 0,5MM*	45	201	OK	200,19
PV363	LOWER LATERAL SYSTEM 4"-8UN X D.63 PRES.VES.36" SLOTS 0,5MM*	45	201	OK	215,18



Ref	Slots (mm)	Ø Vessel	Flow(m³/h) Δp 0,2 bar	Lateral length (mm)
PV353	0,2	14" - 16" - 18"	17	113
PV354	0,2	21" - 24"	18	175
PV355	0,2	30"	19	237
PV356	0,2	36"	20	299
PV360	0,5	14" - 16" - 18"	17	113
PV361	0,5	21" - 24"	18	175
PV362	0,5	30"	19	237
PV363	0,5	36"	20	299

Certificates	Manufacturer	Sectors
		Industrial





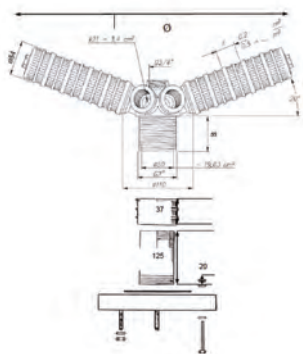
## Pressure Vessels Accessories

### Lower lateral systems with 6 laterals hub for flanged pressure vessels



- Lower lateral system for 6" flanged pressure vessels;
- Flange material PVC;
- Complete with AISI 304 bolts and washer;
- Hub at 6 laterals;
- Laterals in PP, slots 0,2 or 0,5 mm, length as table below.

Ref	Description	Fam.	Subfam.	Disp. Stock	Price Euro
PV520	LOWER LATERAL SYSTEM FLANG. 6" DN65 PRES.VES. 18"-21" SLOTS 0,2MM*	45	201	OK	366,21
PV521	LOWER LATERAL SYSTEM FLANG. 6" DN65 PRES.VES.24"SLOTS 0,2MM*	45	201	OK	379,49
PV522	LOWER LATERAL SYSTEM FLANG. 6" DN65 PRES.VES.30"SLOTS 0,2MM*	45	201	OK	402,63
PV523	LOWER LATERAL SYSTEM FLANG. 6" DN65 PRES.VES.36"SLOTS 0,2MM*	45	201	OK	426,78
PV524	LOWER LATERAL SYSTEM FLANG. 6"-DN65 PRES.VES. 18"-21" DIFF. 0,5MM*	45	201	OK	366,21
PV525	LOWER LATERAL SYSTEM FLANG. 6" DN65 PRES.VES.24"SLOTS 0,5MM*	45	201	OK	379,49
PV526	LOWER LATERAL SYSTEM FLANG. 6" DN65 PRES.VES. 30"SLOTS 0,5MM*	45	201	OK	402,63
PV527	LOWER LATERAL SYSTEM FLANG. 6" DN65 PRES.VES.36"SLOTS 0,5MM*	45	201	OK	426,78



Ref	Ø Vessel	Connection	Lateral lenght (mm)	Ø Diameter (mm)	Slots (mm)	Flow (m³/h) Δ0,2 bar p
PV520	18" - 21"	DN 65	144	374	0,2	22
PV521	24"	DN 65	175	432	0,2	23
PV522	30"	DN 65	237	549	0,2	24
PV523	36"	DN 65	299	665	0,2	25
PV524	18" - 21"	DN 65	144	374	0,5	22
PV525	24"	DN 65	175	432	0,5	23
PV526	30"	DN 65	237	549	0,5	24
PV527	36"	DN 65	299	665	0,5	25

Certificates	Manufacturer	Sectors
		Industrial

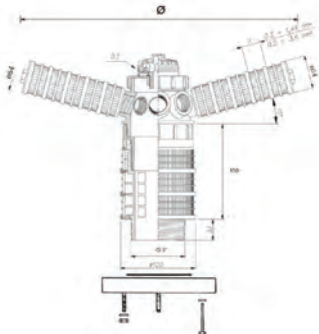


## Lower lateral systems with 8 laterals hub for flanged pressure vessels

- Lower lateral system for 6" flanged pressure vessels;
- Flange material PVC;
- Complete with AISI 304 bolts and washer;
- Hub at 8 laterals;
- Laterals in PP, slots 0,2 or 0,5 m

Ref	Description	Fam.	Subfam.	Disp. Stock	Price Euro
PV522A	LOWER LATERAL SYSTEM FLANG. 6" -DN65 HF PRES.VES.30" DIFF. 0,2MM*	45	201	OK	705,73
PV523A	LOWER LATERAL SYSTEM FLANG. 6" DN65 HF PRES.VES.36" SLOTS 0,2MM*	45	201	OK	737,92
PV528	LOWER LATERAL SYSTEM FLANG. 6" DN80 PRES.VES.24"SLOTS 0,2MM*	45	201	OK	604,18
PV529	LOWER LATERAL SYSTEM FLANG. 6" DN80 PRES.VES.30"SLOTS 0,2MM*	45	201	OK	631,92
PV530	LOWER LATERAL SYSTEM FLANG. 6" DN80 PRES.VES.36"SLOTS 0,2MM*	45	201	OK	660,89
PV526A	LOWER LATERAL SYSTEM FLANG. 6" DN65 HF PRES.VES.30" SLOTS 0,5MM*	45	201	OK	705,73
PV527A	LOWER LATERAL SYSTEM FLANG. 6" DN65 HF PRES.VES.36" SLOTS 0,5MM*	45	201	OK	737,92
PV531	LOWER LATERAL SYSTEM FLANG. 6" DN80 PRES.VES.24"SLOTS 0,5MM*	45	201	OK	604,18
PV532	LOWER LATERAL SYSTEM FLANG. 6" DN80 PRES.VES.30"SLOTS 0,5MM*	45	201	OK	631,92
PV533	LOWER LATERAL SYSTEM FLANG. 6" DN80 PRES.VES.36"SLOTS 0,5MM*	45	201	OK	660,89

Ref	Ø Vessel	Connection	Lateral lenght (mm)	Ø Diameter	Slots (mm)	Flow (m³/h) Δp 0,2 bar
PV522A	30"	DN 65	237	580	0,2	25
PV523A	36"	DN 65	299	699	0,2	30
PV528	24"	DN 80	175	461	0,2	34
PV529	30"	DN 80	237	580	0,2	36
PV530	36"	DN 80	299	699	0,2	38
PV526A	30"	DN 65	237	580	0,5	25
PV527A	36"	DN 65	299	699	0,5	30
PV531	24"	DN 80	175	461	0,5	34
PV532	30"	DN 80	237	580	0,5	36
PV533	36"	DN 80	299	699	0,5	38



Certificates	Manufacturer	Sectors
		Industrial



## Pressure Vessels Accessories

### Lower double lateral systems for flanged pressure vessels

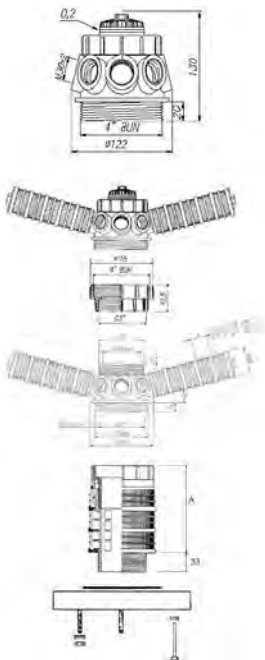
- Lower double lateral system for 6" flanged pressure vessels;
- Flange material PVC, bolts in AISI 304;
- Complete with bolts and washer;
- Double hub at 8 + 8 laterals;
- Laterals in PP, slots 0,2 or 0,5 mm, length as table below.



Ref	Description	Fam.	Subfam.	Disp. Stock	Price Euro
PV555	LOWER LATERAL SYSTEM FLANG. 6" DN80 PRES.VES.63"SLOTS 0,2 MM*	45	201	OK	1209,55
PV538	LOWER LATERAL SYSTEM FLANG 6" DN100 PRES. VES. 63" DIFF 0,2 MM*	45	201	OK	1245,09
PV556	LOWER LATERAL SYSTEM FLANG. 6" DN80 PRES.VES.63"SLOTS 0,5 MM*	45	201	OK	1209,55
PV539	LOWER LATERAL SYSTEM FLANG. 6" DN100 PRES.VES.63"SLOTS 0,5 MM*	45	201	OK	1245,09

Ref	Lateral quantity	A (mm)	Slots (mm)	Flow (m3/h) Δp 0,2 bar	Diffusor lenght (mm)	Ø System diameter (mm)
PV555	8 + 8	190	0,2	45	578-640	1239-1359
PV538	8 + 8	190	0,2	60	578-640	1239-1359
PV556	8 + 8	190	0,5	45	578-640	1239-1359
PV539	8 + 8	190	0,5	60	578-640	1239-1359

Certificates	Manufacturer	Sectors
		Industrial



Ref	Description	Fam.	Subfam.	Disp. Stock	Price Euro
PV534	LOWER LATERAL SYSTEM FLANG. 6" DN80 PRES.VES.42"SLOTS 0,2 MM*	45	201	OK	1009,98
PV535	LOWER LATERAL SYSTEM FLANG. 6" DN80 PRES. VES. 48" DIFF. 0,2 MM*	45	201	OK	1117,15
PV536	LOWER LATERAL SYSTEM FLANG. 6" DN80 PRES.VES.42"SLOTS 0,5 MM*	45	201	OK	1009,98
PV537	LOWER LATERAL SYSTEM FLANG. 6" DN80 PRES.VES.48"SLOTS 0,5 MM*	45	201	OK	1117,15

Ref	Lateral quantity	A (mm)	Slots (mm)	Flow (m3/h) Δp 0,2 bar	Diffusor lenght (mm)	Ø Systems (mm)
PV534	8 + 8	150	0,2	38	361-423	819-939
PV535	8 + 8	150	0,2	38	423-485	939-1059
PV536	8 + 8	150	0,5	38	361-423	819-939
PV537	8 + 8	150	0,5	38	423-485	939-1059

Certificates	Manufacturer	Sectors
		Industrial



## Pressure Vessels Accessories

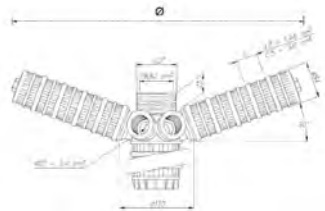
### Top mount lower lateral systems for flanged pressure vessels



- Lower lateral system for 6" flanged pressure vessels for top mount valve, with 6 laterals;
- Material hub and laterals PP, length as table below;
- Slots 0,2 or 0,5 mm;
- To install with 2" adapter for the needed riser tube diameter.

Ref	Description	Fam.	Subfam.	Disp. Stock	Price Euro
PV540	LOWER LATERAL SYSTEM TOP MOUNT PRES.VES. 18"-21" SLOTS 0,2 MM*	45	201	OK	110,08
PV544	LOWER LATERAL SYSTEM TOP MOUNT PRES.VES. 18"-21" SLOTS 0,5 MM*	45	201	OK	110,08

Ref	Ø Vessel	Diffusor lenght (mm)	Ø Diameter (mm)	Slots (mm)	Flow (m <sup>3</sup> /h) Δp 0,2 bar
PV540	18" - 21"	144	374	0,2	22
PV544	18" - 21"	144	374	0,5	22



Ref	Description	Fam.	Subfam.	Disp. Stock	Price Euro
PV541	LOWER LATERAL SYSTEM TOP MOUNT PRES.VES. 24" SLOTS 0,2 MM*	45	201	OK	120,69
PV545	LOWER LATERAL SYSTEM TOP MOUNT PRES.VES. 24" DIFF. 0,5 MM*	45	201	OK	120,69

Ref	Vessel	Diffusor lenght (mm)	Ø Diameter (mm)	Slots (mm)	Flow (m <sup>3</sup> /h) Δp 0,2 bar
PV541	24"	175	432	0,2	23
PV545	24"	175	432	0,5	23

Certificates	Manufacturer	Sectors
		Industrial



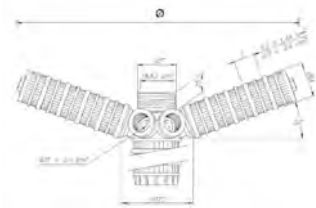
## Pressure Vessels Accessories



Ref	Description	Fam.	Subfam.	Disp. Stock	Price Euro
PV542	LOWER LATERAL SYSTEM TOP MOUNT PRES.VES. 30" SLOTS 0,2 MM*	45	201	OK	139,18
PV546	LOWER LATERAL SYSTEM TOP MOUNT PRES.VES. 30" SLOTS 0,5 MM*	45	201	OK	139,18

Ref	Ø Vessel	Diffusor lenght (mm)	Ø Diameter (mm)	Slots (mm)	Flow (m³/h) Δp 0,2 bar
PV542	30"	237	549	0,2	24
PV546	30"	237	549	0,5	24

Certificates	Manufacturer	Sectors
		Industrial



Ref	Description	Fam.	Subfam.	Disp. Stock	Price Euro
PV543	LOWER LATERAL SYSTEM TOP MOUNT PRES.VES. 36" SLOTS 0,2 MM*	45	201	OK	158,48
PV547	LOWER LATERAL SYSTEM TOP MOUNT PRES.VES. 36" SLOTS 0,5 MM*	45	201	OK	158,48

Ref	Ø Vessel	Diffusor lenght (mm)	Ø Diameter (mm)	Slots (mm)	Flow (m³/h) Δp 0,2 bar
PV543	36"	299	665	0,2	25
PV547	36"	299	665	0,5	25

Certificates	Manufacturer	Sectors
		Industrial

### 2" gas adapter

- 2" GAS adapters with connection to glue;
- Material PVC.

Ref	Description	Fam.	Subfam.	Disp. Stock	Price Euro
PV384	ADAPTER F/F 2"x41,8 MM TO GLUE	45	201	OK	22,23
PV385	ADAPTER F/F 2"x48,3 MM TO GLUE	45	201	OK	23,40
PV386	ADAPTER F/F 2"x50 MM TO GLUE	45	201	OK	14,57
PV387	ADAPTER F/F 2"x63 MM TO GLUE	45	201	OK	8,83

Ref	Description	Connection to glue (mm)
PV384	ADAPTER F/F 2"x41,8 MM TO GLUE	41,8
PV385	ADAPTER F/F 2"x48,3 MM TO GLUE	48,3
PV386	ADAPTER F/F 2"x50 MM TO GLUE	50,0
PV387	ADAPTER F/F 2"x63 MM TO GLUE	63,0

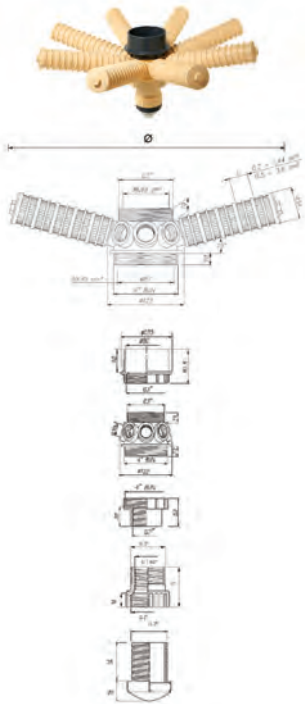
Certificates	Manufacturer	Sectors
		Industrial



## Pressure Vessels Accessories

### Top mount lower lateral systems for tubes diameter 90 mm

- Lower lateral system for 6" flanged pressure vessels for top mount valve, with 8 laterals;
- Material hub and laterals PP, length as table below;
- Slots 0,2;
- To glue on tube diameter 90 mm.



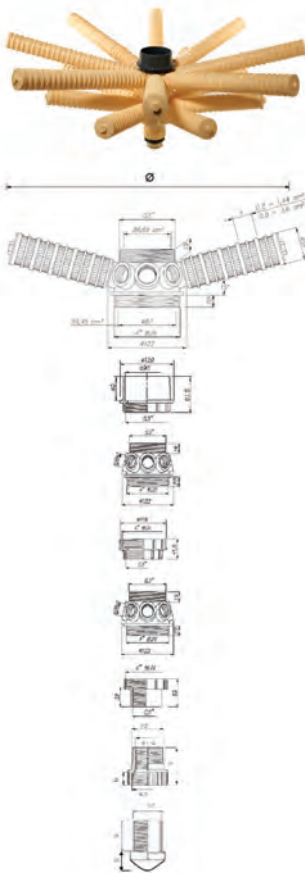
Ref	Description	Fam.	Subfam.	Disp. Stock	Price Euro
PV548	LOWER LATERAL SYSTEM TOP MOUNT PRES.VES. 30" FORTUBE 90 MM SLOTS 0,2 MM*	45	201	OK	285,83
PV549	LOWER LATERAL SYSTEM TOP MOUNT PRES.VES. 36" TUBE90 MM SLOTS 0,2 MM*	45	201	OK	309,23

Ref	Diffusor lenght (mm)	Ø Diameter	Slots (mm)	Flow (m³/h) Δp 0,2 bar
PV548	237	580	0,2	36
PV549	299	699	0,2	38

Certificates	Manufacturer	Sectors
		Industrial

### Top mount lower double lateral systems for tubes diameter 90 mm

- Lower lateral system for 6" flanged pressure vessels for top mount valve, with 8+8 laterals;
- Material hub and laterals PP, length as table below;
- Slots 0,2;
- To glue on tube diameter 90 mm.



Ref	Description	Fam.	Subfam.	Disp. Stock	Price Euro
PV550	LOWER LATERAL SYSTEM TOP MOUNT PRES.VES. 42" FORTUBE 90 MM SLOTS 0,2 MM*	45	201	OK	616,05
PV551	LOWER LATERAL SYSTEM TOP MOUNT PRES.VES. 48" TUBE90 MM SLOTS 0,2 MM*	45	201	OK	606,42

Ref	Laterals quantity	Lateral lenght (mm)	Ø Diameter (mm)	Slots(mm)	Flow (m³/h) Δp 0,2 bar
PV550	8 + 8	299-423	699-939	0,2	38
PV551	8 + 8	361-485	819-1059	0,2	38

Box: WxLxH	Box: Q.ty	Box: Weight	Pallet: WxLxH	Pallet: Q.ty	Pallet: Weight

Certificates	Manufacturer	Sectors
		Industrial



## Pressure Vessels Accessories

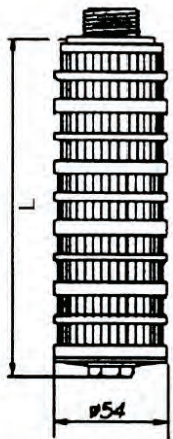
### Cylindrical laterals

- Cylindrical laterals with threaded connection M 30x2;
- Material PP;
- Diameter 54 mm;
- Slots 0,2 or 0,5 mm.



### Laterals with 0,2 mm slots

Ref	Description	Fam.	Subfam.	Disp. Stock	Price Euro
PV345	LATERAL DIFFUSER M 30 X 2 L=113 - 0,2 MM	45	201	OK	7,31
PV370	LATERAL DIFFUSER M 30X2 L=144 - 0,2 MM	45	201	OK	8,53
PV346	LATERAL DIFFUSER M 30 X 2 L=175 - 0,2 MM	45	201	OK	10,02
PV371	LATERAL DIFFUSER M 30X2 L=206 - 0,2 MM	45	201	OK	11,20
PV347	LATERAL DIFFUSER M 30 X 2 L=237 - 0,2 MM	45	201	OK	12,61
PV348	LATERAL DIFFUSER M 30 X 2 L=299 - 0,2 MM	45	201	OK	15,31
PV372	LATERAL DIFFUSER M 30X2 L=361 - 0,2 MM	45	201	OK	18,13
PV373	LATERAL DIFFUSER M 30X2 L=423 - 0,2 MM	45	201	OK	26,49
PV374	LATERAL DIFFUSER M 30X2 L=485 - 0,2MM	45	201	OK	29,15
PV389	LATERAL DIFFUSER M 30X2 L=578 - 0,2 MM	45	201	OK	33,04
PV391	LATERAL DIFFUSER M30x2 L = 640 MM SLOTS 0,2 MM	45	201	OK	35,66



Ref	Description	L (mm)
PV345	LATERAL DIFFUSER M 30 X 2 L=113 - 0,2 MM	113
PV370	LATERAL DIFFUSER M 30X2 L=144 - 0,2 MM	144
PV346	LATERAL DIFFUSER M 30 X 2 L=175 - 0,2 MM	175
PV371	LATERAL DIFFUSER M 30X2 L=206 - 0,2 MM	206
PV347	LATERAL DIFFUSER M 30 X 2 L=237 - 0,2 MM	237
PV348	LATERAL DIFFUSER M 30 X 2 L=299 - 0,2 MM	299
PV372	LATERAL DIFFUSER M 30X2 L=361 - 0,2 MM	361
PV373	LATERAL DIFFUSER M 30X2 L=423 - 0,2 MM	423
PV374	LATERAL DIFFUSER M 30X2 L=485 - 0,2MM	485
PV389	LATERAL DIFFUSER M 30X2 L=578 - 0,2 MM	578
PV391	LATERAL DIFFUSER M30x2 L = 640 MM SLOTS 0,2 MM	640

Certificates	Manufacturer	Sectors
		Industrial

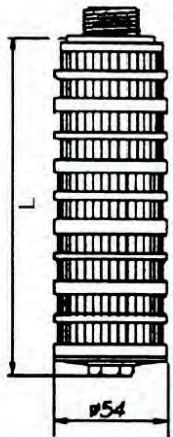


### Cylindrical laterals

- Cylindrical laterals with threaded connection M 30x2;
- Material PP;
- Diameter 54 mm;
- Slots 0,2 or 0,5 mm.

### Laterals with 0,5 mm slots

Ref	Description	Fam.	Subfam.	Disp. Stock	Price Euro
PV375	LATERAL DIFFUSER M 30X2 L=113 - 0,5 MM	45	201	OK	7,31
PV376	LATERAL DIFFUSER M 30X2 L=144 - 0,5 MM	45	201	OK	8,53
PV377	LATERAL DIFFUSER M 30X2 L=175 - 0,5 MM	45	201	OK	10,02
PV378	LATERAL DIFFUSER M 30X2 L=206 - 0,5 MM	45	201	OK	11,16
PV379	LATERAL DIFFUSER M 30X2 L=237 - 0,5 MM	45	201	OK	12,61
PV380	LATERAL DIFFUSER M 30X2 L=299 - 0,5 MM	45	201	OK	15,31
PV381	LATERAL DIFFUSER M 30X2 L=361 - 0,5 MM	45	201	OK	18,13
PV382	LATERAL DIFFUSER M 30X2 L=423 - 0,5 MM	45	201	OK	26,48
PV383	LATERAL DIFFUSER M 30X2 L=485 - 0,5 MM	45	201	OK	29,15
PV390	LATERAL DIFFUSER M30x2 L = 578 - 0,5 MM	45	201	OK	33,04
PV392	LATERAL DIFFUSER M 30X2 L=640 - 0,5 MM	45	201	OK	35,66



Ref	Description	L (mm)
PV375	LATERAL DIFFUSER M 30X2 L=113 - 0,5 MM	113
PV376	LATERAL DIFFUSER M 30X2 L=144 - 0,5 MM	144
PV377	LATERAL DIFFUSER M 30X2 L=175 - 0,5 MM	175
PV378	LATERAL DIFFUSER M 30X2 L=206 - 0,5 MM	206
PV379	LATERAL DIFFUSER M 30X2 L=237 - 0,5 MM	237
PV380	LATERAL DIFFUSER M 30X2 L=299 - 0,5 MM	299
PV381	LATERAL DIFFUSER M 30X2 L=361 - 0,5 MM	361
PV382	LATERAL DIFFUSER M 30X2 L=423 - 0,5 MM	423
PV383	LATERAL DIFFUSER M 30X2 L=485 - 0,5 MM	485
PV390	LATERAL DIFFUSER M30x2 L = 578 - 0,5 MM	578
PV392	LATERAL DIFFUSER M 30X2 L=640 - 0,5 MM	640

Certificates	Manufacturer	Sectors
		Industrial





## Pressure Vessels Accessories

### Flange coupling kit



- For 6" flanged pressure vessels;
- Including flange adaptor and coupling flange in PVC;
- With gasket in EPDM.

Ref	Description	Fam.	Subfam.	Disp. Stock	Price Euro
PV594M	FLANGE COUPLING KIT DN65-D75-2"1/2*	45	210	OK	48,56
PV595M	FLANGE COUPLING KIT DN80-D90-3"*	45	210	OK	57,34
PV596M	FLANGE COUPLING KIT DN100-D110-4"*	45	210	OK	73,44

Ref	Description	Connection
PV594M	FLANGE COUPLING KIT DN65-D75-2"1/2*	DN65
PV595M	FLANGE COUPLING KIT DN80-D90-3"*	DN80
PV596M	FLANGE COUPLING KIT DN100-D110-4"*	DN100

Certificates	Manufacturer	Sectors
		Industrial

PV295



PV295A



PV395



### Mineral tank funnels

- The tank funnels are designed for filling mineral tanks with granular media and ion exchange resin;
- The funnels are designed to fit 2,5", 4" and 6" mineral tank openings;
- These economical funnels are nestable to reduce shipping and storage costs;
- The funnel ref. PV395 snaps into a 4" or 6" mineral tank opening for stability when pouring media. The neck of the funnel has been carefully designed to allow trapped air inside the mineral tank to escape when media is poured in. This heavy duty part is blow molded out of high density polyethylene for exceptional strength and durability. The oval design provides an extra wide opening for ease of use when pouring. Handles are molded into the funnel for added convenience.

Ref	Description	Fam.	Subfam.	Disp. Stock	Price Euro
PV295	MINERAL TANK FUNNEL 2.5" WITH CLOSED INSERT FOR 1,05" TUBE	45	196	OK	5,41
PV295A	MINERAL TANK FUNNEL 2.5"	45	196	OK	6,03
PV395	MINERAL TANK FUNNEL 4" - 6"	45	201	OK	32,83

Certificates	Manufacturer	Sectors
		Domestic, Commercial, Industrial



## Pressure Vessels Accessories

### Jackets with zip for Pressure Tanks

- In Neoprene insulating material;
- Standard black colour;
- On demand and for minimum order quantities we can supply customized colours.

Ref.	Description	Fam.	Subfam.	Disp. Stock	Price Euro
BMWGJD0613	MWG BLACK JACKET 6X13	43	198	NO	29,53
BMWGJD0813	MWG BLACK JACKET 8X13	43	198	NO	30,75
BMWGJD0817	MWG BLACK JACKET 8X17	43	198	NO	31,97
BMWGJD0844	MWG BLACK JACKET 8X44	43	198	NO	46,21
BMWGJD0948	MWG BLACK JACKET 9X48	43	198	NO	49,47
BMWGJD1019	MWG BLACK JACKET 10X19	43	198	NO	37,26
BMWGJD1035	MWG BLACK JACKET 10X35	43	198	OK	47,84
BMWGJD1044	MWG BLACK JACKET 10X44	43	198	OK	49,87
BMWGJD1054	MWG BLACK JACKET 10X54	43	198	OK	49,87
BMWGJD1248	MWG BLACK JACKET 12X48	43	198	NO	49,87
BMWGJD1252	MWG BLACK JACKET 12X52	43	198	NO	49,87
BMWGJD1344	MWG BLACK JACKET 13X44	43	198	NO	49,87
BMWGJD1354	MWG BLACK JACKET 13X54	43	198	NO	50,69
BMWGJD1452G	MWG BLACK JACKET 14X52	44	198	NO	60,86
BMWGJD1465G	MWG BLACK JACKET 14X65 4	44	198	NO	60,86
BMWGJD1465H	MWG BLACK JACKET 14X65 4-4	44	198	NO	60,86
BMWGJD1665H	MWG BLACK JACKET 16X65 4-4	44	198	NO	64,93
BMWGJD1865H	MWG BLACK JACKET 18X65 4-4	44	198	NO	68,99
BMWGJD2162H	MWG BLACK JACKET 21X62 4-4	44	198	NO	75,10
BMWGJD2472H	MWG BLACK JACKET 24X72 4-4	44	198	NO	89,33
BMWGJD3072H	MWG BLACK JACKET 30X72 4-4	44	198	NO	93,40
BMWGJD3672H	MWG BLACK JACKET 36X72 4-4	44	198	NO	113,74



Certificates	Manufacturer	Sectors
	<b>MWG</b>	Domestic, Commercial, Industrial



# CABINETS

MWG



[BACK  
TO INDEX](#)



## Cabinets for Softeners Mini Cab Series

- Tanks and covers made in European Union (Italy);
- Cabinets for residential softeners, complete with salt lid and cover of exclusive design;
- With MWG tank;
- Materials: tank in HDPE, cover in polystyrene;
- Standard colours: white tank and blue, white or black cover;
- Customized colours for tanks and covers: contact your Area Manager for minimum quantities;
- EU design patent no. 003156272.



Ref	Description	Fam.	Subfam.	Note	Disp. Stock	Price Euro
C0513MWMAS	MWG CAB. MINI CAB WHITE BODY - LIGHT BLUE COVER 5X13*	45	210		OK	92,44
C0513MWMWS	MWG CAB. MINI CAB WHITE BODY - WHITE COVER 5X13*	45	210		OK	92,44
C0513MWMDS	MWG CAB. MINI CAB WHITE BODY - BLACK COVER 5X13*	45	210		OK	92,44
C0613MWMAS	MWG CAB. MINI CAB WHITE BODY - LIGHT BLUE COVER 6X13*	45	210		OK	96,73
C0613MWMWS	MWG CAB. MINI CAB WHITE BODY - WHITE COVER 6X13*	45	210		OK	96,73
C0613MWMDS	MWG CAB. MINI CAB WHITE BODY - BLACK COVER 6X13*	45	210		OK	96,73
C0713MWMAS	MWG CAB. MINI CAB WHITE BODY - LIGHT BLUE COVER 7X13*	45	210		OK	99,93
C0713MWMWS	MWG CAB. MINI CAB WHITE BODY - WHITE COVER 7X13*	45	210		OK	99,93
C0713MWMDS	MWG CAB. MINI CAB WHITE BODY - BLACK COVER 7X13*	45	210		OK	99,93

Ref	Width (mm)	Length (mm)	Height (mm)	With MWG tank
C0513MWMAS	220	365	333	5 x 13
C0513MWMWS	220	365	333	5 x 13
C0513MWMDS	220	365	333	5 x 13
C0613MWMAS	220	365	333	6 x 13
C0613MWMWS	220	365	333	6 x 13
C0613MWMDS	220	365	333	6 x 13
C0713MWMAS	220	365	333	7 x 13
C0713MWMWS	220	365	333	7 x 13
C0713MWMDS	220	365	333	7 x 13

Box: WxLxH	Box: Q.ty	Box: Weight	Pallet: WxLxH	Pallet: Q.ty	Pallet: Weight

Certificates	Manufacturer	Sectors
	MWG	Domestic



## Cabinets for Softeners New Junior Series

- Tanks and covers made in European Union (Italy);
- Cabinets for residential softeners, complete with salt lid;
- With MWG tank;
- Materials: tank in HDPE, salt lid in polystyrene;
- Standard colours: white tank, black salt lid;
- Customized colours for tanks and covers: contact your Area Manager for minimum quantities;
- EU design patent no. 003156272.



Ref	Description	Fam.	Subfam.	Note	Disp. Stock	Price Euro
C0513GWGD	MWG CAB. NEW JUNIOR 13 WHITE BODY - BLACK COVER 5X13*	45	210		OK	74,59
C0613GWGD	MWG CAB. NEW JUNIOR 13 WHITE BODY - BLACK COVER 6X13*	45	210		OK	79,87
C0713GWGD	MWG CAB. NEW JUNIOR 13 WHITE BODY - BLACK COVER 7X13*	45	210		OK	82,05
C0813GWGD	MWG CAB. NEW JUNIOR 13 WHITE BODY - BLACK COVER 8X13*	45	210		OK	85,34

Ref	Width (mm)	Length (mm)	Height (mm)
C0513GWGD	240	435	330
C0613GWGD	240	435	330
C0713GWGD	240	435	330
C0813GWGD	240	435	330

Box: WxLxH	Box: Q.ty	Box: Weight	Pallet: WxLxH	Pallet: Q.ty	Pallet: Weight

### Accessories

Ref	Description	Fam.	Subfam.	Note	Disp. Stock	Price Euro
PA011	MWG BRINE WELL D=100 MM H=220 MM (CAB. 13")	45	215		OK	11,18
PA001	MWG CAP FOR BRINE WELL D=100 MM	45	215		OK	0,65

Certificates	Manufacturer	Sectors
	<b>MWG</b>	Domestic

Ref	Description	Fam.	Subfam.	Note	Disp. Stock	Price Euro
C0717GWGD	MWG CAB. NEW JUNIOR 17 WHITE BODY - BLACK COVER 7X17*	45	210		OK	90,34
C0817GWGD	MWG CAB. NEW JUNIOR 17 WHITE BODY - BLACK COVER 8X17*	45	210		OK	93,68

Ref	Width (mm)	Length (mm)	Height (mm)
C0717GWGD	240	435	432
C0817GWGD	240	435	432

Box: WxLxH	Box: Q.ty	Box: Weight	Pallet: WxLxH	Pallet: Q.ty	Pallet: Weight

### Accessories

Ref	Description	Fam.	Subfam.	Note	Disp. Stock	Price Euro
PA002	MWG BRINE WELL D=100 MM H=340 MM (CAB. 17")	45	215		OK	11,70
PA001	MWG CAP FOR BRINE WELL D=100 MM	45	215		OK	0,65

Certificates	Manufacturer	Sectors
	<b>MWG</b>	Domestic



## Cabinets for Softeners New Junior Series



Ref	Description	Fam.	Subfam.	Note	Disp. Stock	Price Euro
C0724GWGD	MWG CAB. NEW JUNIOR 24 WHITE BODY - BLACK COVER 7X24*	45	210		OK	114,78
C0824GWGD	MWG CAB. NEW JUNIOR 24 WHITE BODY - BLACK COVER 8X24*	45	210		OK	117,23

Ref	Width (mm)	Length (mm)	Height (mm)
C0724GWGD	240	435	610
C0824GWGD	240	435	610

Box: WxLxH	Box: Q.ty	Box: Weight	Pallet: WxLxH	Pallet: Q.ty	Pallet: Weight

### Accessories

Ref	Description	Fam.	Subfam.	Note	Disp. Stock	Price Euro
PA074	MWG BRINE WELL D=100 MM H=520 MM (CAB. 24" + BRINETANK 100L)	45	215		OK	13,72
PA001	MWG CAP FOR BRINE WELL D=100 MM	45	215		OK	0,65

Certificates	Manufacturer	Sectors
	<b>MWG</b>	Domestic



## Cabinets for Softeners Slim Line Series

- Tanks and covers made in European Union (Italy);
- Cabinets for residential softeners, complete with salt lid and cover of exclusive design;
- With MWG tank;
- Materials: tank in HDPE, cover in polystyrene;
- Standard colours: white tank and blue, white or black cover;
- Customized colours for tanks and covers: contact your Area Manager for minimum quantities;
- EU design patent no. 003156272.



Ref	Description	Fam.	Subfam.	Note	Disp. Stock	Price Euro
C0717LWSAS	MWG CAB. SLIM LINE WHITE BODY - LIGHT BLUE COVER 7X17*	45	210		OK	121,22
C0717LWSWS	MWG CAB. SLIM LINE WHITE BODY - WHITE COVER 7X17*	45	210		OK	121,22
C0717LWSDS	MWG CAB. SLIM LINE WHITE BODY - BLACK COVER 7X17*	45	210		OK	121,22
C0817LWSAS	MWG CAB. SLIM LINE WHITE BODY - LIGHT BLUE COVER 8X17*	45	210		OK	124,54
C0817LWSWS	MWG CAB. SLIM LINE WHITE BODY - WHITE COVER 8X17*	45	210		OK	124,54
C0817LWSDS	MWG CAB. SLIM LINE WHITE BODY - BLACK COVER 8X17*	45	210		OK	124,54
C0917LWSAS	MWG CAB. SLIM LINE WHITE BODY - LIGHT BLUE COVER 9X17*	45	210		OK	125,89
C0917LWSWS	MWG CAB. SLIM LINE WHITE BODY - WHITE COVER 9X17*	45	210		OK	125,89
C0917LWSDS	MWG CAB. SLIM LINE WHITE BODY - BLACK COVER 9X17*	45	210		OK	125,89
C1017LWSAS	MWG CAB. SLIM LINE WHITE BODY - LIGHT BLUE COVER 10X17*	45	210		OK	131,34
C1017LWSWS	MWG CAB. SLIM LINE WHITE BODY - WHITE COVER 10X17*	45	210		OK	131,34
C1017LWSDS	MWG CAB. SLIM LINE WHITE BODY - BLACK COVER 10X17*	45	210		OK	131,34

Ref	Width (mm)	Length (mm)	Height (mm)
C0717LWSAS	320	500	440
C0717LWSWS	320	500	440
C0717LWSDS	320	500	440
C0817LWSAS	320	500	440
C0817LWSWS	320	500	440
C0817LWSDS	320	500	440
C0917LWSAS	320	500	440
C0917LWSWS	320	500	440
C0917LWSDS	320	500	440
C1017LWSAS	320	500	440
C1017LWSWS	320	500	440
C1017LWSDS	320	500	440

Box: WxLxH	Box: Q.ty	Box: Weight	Pallet: WxLxH	Pallet: Q.ty	Pallet: Weight

### Accessories

Ref	Description	Fam.	Subfam.	Note	Disp. Stock	Price Euro
PA002	MWG BRINE WELL D=100 MM H=340 MM (CAB. 17")	45	215		OK	11,70
PA001	MWG CAP FOR BRINE WELL D=100 MM	45	215		OK	0,65

Certificates	Manufacturer	Sectors
	<b>MWG</b>	Domestic



## Cabinets for Softeners Slim Line Series



Ref	Description	Fam.	Subfam.	Note	Disp. Stock	Price Euro
C0735LWSAS	MWG CAB. SLIM LINE WHITE BODY - LIGHT BLUE COVER 7X35*	45	210		OK	178,75
C0735LWSWS	MWG CAB. SLIM LINE WHITE BODY - WHITE COVER 7X35*	45	210		OK	178,75
C0735LWSDS	MWG CAB. SLIM LINE WHITE BODY - BLACK COVER 7X35*	45	210		OK	178,75
C0835LWSAS	MWG CAB. SLIM LINE WHITE BODY - LIGHT BLUE COVER 8X35*	45	210		OK	184,40
C0835LWSWS	MWG CAB. SLIM LINE WHITE BODY - WHITE COVER 8X35*	45	210		OK	184,40
C0835LWSDS	MWG CAB. SLIM LINE WHITE BODY - BLACK COVER 8X35*	45	210		OK	184,40
C0935LWSAS	MWG CAB. SLIM LINE WHITE BODY - LIGHT BLUE COVER 9X35*	45	210		OK	189,07
C0935LWSWS	MWG CAB. SLIM LINE WHITE BODY - WHITE COVER 9X35*	45	210		OK	189,07
C0935LWSDS	MWG CAB. SLIM LINE WHITE BODY - BLACK COVER 9X35*	45	210		OK	189,07
C1035LWSAS	MWG CAB. SLIM LINE WHITE BODY - LIGHT BLUE COVER 10X35*	45	210		OK	199,87
C1035LWSWS	MWG CAB. SLIM LINE WHITE BODY - WHITE COVER 10X35*	45	210		OK	199,87
C1035LWSDS	MWG CAB. SLIM LINE WHITE BODY - BLACK COVER 10X35*	45	210		OK	199,87

Ref	Width (mm)	Length (mm)	Height (mm)
C0735LWSAS	320	500	900
C0735LWSWS	320	500	900
C0735LWSDS	320	500	900
C0835LWSAS	320	500	900
C0835LWSWS	320	500	900
C0835LWSDS	320	500	900
C0935LWSAS	320	500	900
C0935LWSWS	320	500	900
C0935LWSDS	320	500	900
C1035LWSAS	320	500	900
C1035LWSWS	320	500	900
C1035LWSDS	320	500	900

### Accessories

Ref	Description	Fam.	Subfam.	Note	Disp. Stock	Price Euro
PA076	MWG BRINE WELL D=100 MM H=780 MM (CAB. 35" SURF/LINE)	45	215		OK	16,79
PA001	MWG CAP FOR BRINE WELL D=100 MM	45	215		OK	0,65

Certificates	Manufacturer	Sectors
	<b>MWG</b>	Domestic





## Cabinets for Softeners Slim Line Series



Ref	Description	Fam.	Subfam.	Note	Disp. Stock	Price Euro
C0724LWSAS	MWG CAB. SLIM LINE WHITE BODY - LIGHT BLUE COVER 7X24*	45	210		OK	155,22
C0724LWSWS	MWG CAB. SLIM LINE WHITE BODY - WHITE COVER 7X24*	45	210		OK	155,22
C0724LWSDS	MWG CAB. SLIM LINE WHITE BODY - BLACK COVER 7X24*	45	210		OK	155,22
C0824LWSAS	MWG CAB. SLIM LINE WHITE BODY - LIGHT BLUE COVER 8X24*	45	210		OK	157,66
C0824LWSWS	MWG CAB. SLIM LINE WHITE BODY - WHITE COVER 8X24*	45	210		OK	157,66
C0824LWSDS	MWG CAB. SLIM LINE WHITE BODY - BLACK COVER 8X24*	45	210		OK	157,66
C0924LWSAS	MWG CAB. SLIM LINE WHITE BODY - LIGHT BLUE COVER 9X24*	45	210		OK	159,17
C0924LWSWS	MWG CAB. SLIM LINE WHITE BODY - WHITE COVER 9X24*	45	210		OK	159,17
C0924LWSDS	MWG CAB. SLIM LINE WHITE BODY - BLACK COVER 9X24*	45	210		OK	159,17
C1024LWSAS	MWG CAB. SLIM LINE WHITE BODY - LIGHT BLUE COVER 10X24*	45	210		OK	162,74
C1024LWSWS	MWG CAB. SLIM LINE WHITE BODY - WHITE COVER 10X24*	45	210		OK	162,74
C1024LWSDS	MWG CAB. SLIM LINE WHITE BODY - BLACK COVER 10X24*	45	210		OK	162,74

Ref	Widht (mm)	Lenght (mm)	Heigth (mm)
C0724LWSAS	320	500	620
C0724LWSWS	320	500	620
C0724LWSDS	320	500	620
C0824LWSAS	320	500	620
C0824LWSWS	320	500	620
C0824LWSDS	320	500	620
C0924LWSAS	320	500	620
C0924LWSWS	320	500	620
C0924LWSDS	320	500	620
C1024LWSAS	320	500	620
C1024LWSWS	320	500	620
C1024LWSDS	320	500	620

Box: WxLxH	Box: Q.ty	Box: Weight	Pallet: WxLxH	Pallet: Q.ty	Pallet: Weight

### Accessories

Ref	Description	Fam.	Subfam.	Note	Disp. Stock	Price Euro
PA074	MWG BRINE WELL D=100 MM H=520 MM (CAB. 24" + BRINETANK 100L)	45	215		OK	13,72
PA001	MWG CAP FOR BRINE WELL D=100 MM	45	215		OK	0,65

Certificates	Manufacturer	Sectors
	<b>MWG</b>	Domestic



## Cabinets for Softeners Slim Surf Series

- Tanks and covers made in European Union (Italy);
- Cabinets for residential softeners, complete with salt lid and cover of exclusive design;
- With MWG tank;
- Materials: tank in HDPE, cover in polystyrene;
- Standard colours: white tank and blue, white or black cover;
- Customized colours for tanks and covers: contact your Area Manager for minimum quantities;
- EU design patent no. 003156272.



Ref	Description	Fam.	Subfam.	Note	Disp. Stock	Price Euro
C0717SWSAS	MWG CAB. SLIM SURF WHITE BODY - LIGHT BLUE COVER 7X17*	45	210		OK	121,22
C0717SWSWS	MWG CAB. SLIM SURF WHITE BODY - WHITE COVER 7X17*	45	210		OK	121,22
C0717SWSDS	MWG CAB. SLIM SURF WHITE BODY - BLACK COVER 7X17*	45	210		OK	121,22
C0817SWSAS	MWG CAB. SLIM SURF WHITE BODY - LIGHT BLUE COVER 8X17*	45	210		OK	124,54
C0817SWSWS	MWG CAB. SLIM SURF WHITE BODY - WHITE COVER 8X17*	45	210		OK	124,54
C0817SWSDS	MWG CAB. SLIM SURF WHITE BODY - BLACK COVER 8X17*	45	210		OK	124,54
C0917SWSAS	MWG CAB. SLIM SURF WHITE BODY - LIGHT BLUE COVER 9X17*	45	210		OK	125,89
C0917SWSWS	MWG CAB. SLIM SURF WHITE BODY - WHITE COVER 9X17*	45	210		OK	125,89
C0917SWSDS	MWG CAB. SLIM SURF WHITE BODY - BLACK COVER 9X17*	45	210		OK	125,89
C1017SWSAS	MWG CAB. SLIM SURF WHITE BODY - LIGHT BLUE COVER 10X17*	45	210		OK	131,34
C1017SWSWS	MWG CAB. SLIM SURF WHITE BODY - WHITE COVER 10X17*	45	210		OK	131,34
C1017SWSDS	MWG CAB. SLIM SURF WHITE BODY - BLACK COVER 10X17*	45	210		OK	131,34

Ref	Width (mm)	Length (mm)	Height (mm)
C0717SWSAS	320	500	440
C0717SWSWS	320	500	440
C0717SWSDS	320	500	440
C0817SWSAS	320	500	440
C0817SWSWS	320	500	440
C0817SWSDS	320	500	440
C0917SWSAS	320	500	440
C0917SWSWS	320	500	440
C0917SWSDS	320	500	440
C1017SWSAS	320	500	440
C1017SWSWS	320	500	440
C1017SWSDS	320	500	440

Box: WxLxH	Box: Q.ty	Box: Weight	Pallet: WxLxH	Pallet: Q.ty	Pallet: Weight

### Accessories

Ref	Description	Fam.	Subfam.	Note	Disp. Stock	Price Euro
PA002	MWG BRINE WELL D=100 MM H=340 MM (CAB. 17")	45	215		OK	11,70
PA001	MWG CAP FOR BRINE WELL D=100 MM	45	215		OK	0,65

Certificates	Manufacturer	Sectors
	<b>MWG</b>	Domestic



## Cabinets for Softeners Slim Surf Series



Ref	Description	Fam.	Subfam.	Note	Disp. Stock	Price Euro
C0724SWSAS	MWG CAB. SLIM SURF WHITE BODY - LIGHT BLUE COVER 7X24*	45	210		OK	155,22
C0724SWSWS	MWG CAB. SLIM SURF WHITE BODY - WHITE COVER 7X24*	45	210		OK	155,22
C0724SWSDS	MWG CAB. SLIM SURF WHITE BODY - BLACK COVER 7X24*	45	210		OK	155,22
C0824SWSAS	MWG CAB. SLIM SURF WHITE BODY - LIGHT BLUE COVER 8X24*	45	210		OK	157,66
C0824SWSWS	MWG CAB. SLIM SURF WHITE BODY - WHITE COVER 8X24*	45	210		OK	157,66
C0824SWSDS	MWG CAB. SLIM SURF WHITE BODY - BLACK COVER 8X24*	45	210		OK	157,66
C0924SWSAS	MWG CAB. SLIM SURF WHITE BODY - LIGHT BLUE COVER 9X24*	45	210		OK	159,17
C0924SWSWS	MWG CAB. SLIM SURF WHITE BODY - WHITE COVER 9X24*	45	210		OK	159,17
C0924SWSDS	MWG CAB. SLIM SURF WHITE BODY - BLACK COVER 9X24*	45	210		OK	159,17
C1024SWSAS	MWG CAB. SLIM SURF WHITE BODY - LIGHT BLUE COVER 10X24*	45	210		OK	162,74
C1024SWSWS	MWG CAB. SLIM SURF WHITE BODY - WHITE COVER 10X24*	45	210		OK	162,74
C1024SWSDS	MWG CAB. SLIM SURF WHITE BODY - BLACK COVER 10X24*	45	210		OK	162,74

Ref	Width (mm)	Length (mm)	Height (mm)
C0724SWSAS	320	500	620
C0724SWSWS	320	500	620
C0724SWSDS	320	500	620
C0824SWSAS	320	500	620
C0824SWSWS	320	500	620
C0824SWSDS	320	500	620
C0924SWSAS	320	500	620
C0924SWSWS	320	500	620
C0924SWSDS	320	500	620
C1024SWSAS	320	500	620
C1024SWSWS	320	500	620
C1024SWSDS	320	500	620

Box: WxLxH	Box: Q.ty	Box: Weight	Pallet: WxLxH	Pallet: Q.ty	Pallet: Weight

### Accessories

Ref	Description	Fam.	Subfam.	Note	Disp. Stock	Price Euro
PA074	MWG BRINE WELL D=100 MM H=520 MM (CAB. 24" + BRINETANK 100L)	45	215		OK	13,72
PA001	MWG CAP FOR BRINE WELL D=100 MM	45	215		OK	0,65

Certificates	Manufacturer	Sectors
	MWG	Domestic



## Cabinets for Softeners Slim Surf Series



Ref	Description	Fam.	Subfam.	Note	Disp. Stock	Price Euro
C0735SWSAS	MWG CAB. SLIM SURF WHITE BODY - LIGHT BLUE COVER 7X35*	45	210		OK	178,75
C0735SWSWS	MWG CAB. SLIM SURF WHITE BODY - WHITE COVER 7X35*	45	210		OK	178,75
C0735SWSDS	MWG CAB. SLIM SURF WHITE BODY - BLACK COVER 7X35*	45	210		OK	178,75
C0835SWSAS	MWG CAB. SLIM SURF WHITE BODY - LIGHT BLUE COVER 8X35*	45	210		OK	184,40
C0835SWSWS	MWG CAB. SLIM SURF WHITE BODY - WHITE COVER 8X35*	45	210		OK	184,40
C0835SWSDS	MWG CAB. SLIM SURF WHITE BODY - BLACK COVER 8X35*	45	210		OK	184,40
C0935SWSAS	MWG CAB. SLIM SURF WHITE BODY - LIGHT BLUE COVER 9X35*	45	210		OK	189,07
C0935SWSWS	MWG CAB. SLIM SURF WHITE BODY - WHITE COVER 9X35*	45	210		OK	189,07
C0935SWSDS	MWG CAB. SLIM SURF WHITE BODY - BLACK COVER 9X35*	45	210		OK	189,07
C1035SWSAS	MWG CAB. SLIM SURF WHITE BODY - LIGHT BLUE COVER 10X35*	45	210		OK	199,87
C1035SWSWS	MWG CAB. SLIM SURF WHITE BODY - WHITE COVER 10X35*	45	210		OK	199,87
C1035SWSDS	MWG CAB. SLIM SURF WHITE BODY - BLACK COVER 10X35*	45	210		OK	199,87

Ref	Width (mm)	Length (mm)	Height (mm)
C0735SWSAS	320	500	900
C0735SWSWS	320	500	900
C0735SWSDS	320	500	900
C0835SWSAS	320	500	900
C0835SWSWS	320	500	900
C0835SWSDS	320	500	900
C0935SWSAS	320	500	900
C0935SWSWS	320	500	900
C0935SWSDS	320	500	900
C1035SWSAS	320	500	900
C1035SWSWS	320	500	900
C1035SWSDS	320	500	900

Box: WxLxH	Box: Q.ty	Box: Weight	Pallet: WxLxH	Pallet: Q.ty	Pallet: Weight

### Accessories

Ref	Description	Fam.	Subfam.	Note	Disp. Stock	Price Euro
PA076	MWG BRINE WELL D=100 MM H=780 MM (CAB. 35" SURF/LINE)	45	215		OK	16,79
PA001	MWG CAP FOR BRINE WELL D=100 MM	45	215		OK	0,65

Certificates	Manufacturer	Sectors
	<b>MWG</b>	Domestic



## Cabinets for Softeners Top Line Clear Series



- Tanks and covers made in European Union (Italy);
- Cabinets for residential softeners, complete with salt lid and cover of exclusive design with transparent insert;
- With MWG tank;
- Materials: tank in HDPE, cover in polystyrene;
- Standard colours: white tank and blue cover;
- Customized colours for tanks and covers: contact your Area Manager for minimum quantities;
- EU design patent no. 003156272.

Ref	Description	Fam.	Subfam.	Note	Disp. Stock	Price Euro
C0717LWTPS	MWG CAB. TOP LINE CLEAR WHITE BODY - LIGHT BLUE COVER 7X17*	45	210		OK	139,64
C0817LWTPS	MWG CAB. TOP LINE CLEAR WHITE BODY - LIGHT BLUE COVER 8X17*	45	210		OK	142,96
C0917LWTPS	MWG CAB. TOP LINE CLEAR WHITE BODY - LIGHT BLUE COVER 9X17*	45	210		OK	144,30
C1017LWTPS	MWG CAB. TOP LINE CLEAR WHITE BODY - LIGHT BLUE COVER 10X17*	45	210		OK	149,75

Ref	Width (mm)	Length (mm)	Height (mm)
C0717LWTPS	320	500	670
C0817LWTPS	320	500	670
C0917LWTPS	320	500	670
C1017LWTPS	320	500	670

Box: WxLxH	Box: Q.ty	Box: Weight	Pallet: WxLxH	Pallet: Q.ty	Pallet: Weight

### Accessories

Ref	Description	Fam.	Subfam.	Note	Disp. Stock	Price Euro
PA002	MWG BRINE WELL D=100 MM H=340 MM (CAB. 17")	45	215		OK	11,70
PA001	MWG CAP FOR BRINE WELL D=100 MM	45	215		OK	0,65

Certificates	Manufacturer	Sectors
	<b>MWG</b>	Domestic



## Cabinets for Softeners Top Line Clear Series



Ref	Description	Fam.	Subfam.	Note	Disp. Stock	Price Euro
C0724LWTPS	MWG CAB. TOP LINE CLEAR WHITE BODY - LIGHT BLUE COVER 7X24*	45	210		OK	177,61
C0824LWTPS	MWG CAB. TOP LINE CLEAR WHITE BODY - LIGHT BLUE COVER 8X24*	45	210		OK	180,00
C0924LWTPS	MWG CAB. TOP LINE CLEAR WHITE BODY - LIGHT BLUE COVER 9X24*	45	210		OK	181,45
C1024LWTPS	MWG CAB. TOP LINE CLEAR WHITE BODY - LIGHT BLUE COVER 10X24*	45	210		OK	184,97

Ref	Width (mm)	Length (mm)	Height (mm)
C0724LWTPS	320	500	840
C0724LWTZS	320	500	840
C0724LWTTS	320	500	840
C0824LWTPS	320	500	840
C0824LWTZS	320	500	840
C0824LWTTS	320	500	840
C0924LWTPS	320	500	840
C0924LWTZS	320	500	840
C0924LWTTS	320	500	840
C1024LWTPS	320	500	840
C1024LWTZS	320	500	840
C1024LWTTS	320	500	840

Box: WxLxH	Box: Q.ty	Box: Weight	Pallet: WxLxH	Pallet: Q.ty	Pallet: Weight

### Accessories

Ref	Description	Fam.	Subfam.	Note	Disp. Stock	Price Euro
PA074	MWG BRINE WELL D=100 MM H=520 MM (CAB. 24" + BRINETANK 100L)	45	215		OK	13,72
PA001	MWG CAP FOR BRINE WELL D=100 MM	45	215		OK	0,65

Certificates	Manufacturer	Sectors
	<b>MWG</b>	Domestic



## Cabinets for Softeners Top Line Clear Series



Ref	Description	Fam.	Subfam.	Note	Disp. Stock	Price Euro
C0735LWTPS	MWG CAB. TOP LINE CLEAR WHITE BODY - LIGHT BLUE COVER 7X35*	45	210		OK	197,40
C0835LWTPS	MWG CAB. TOP LINE CLEAR WHITE BODY - LIGHT BLUE COVER 8X35*	45	210		OK	203,05
C0935LWTPS	MWG CAB. TOP LINE CLEAR WHITE BODY - LIGHT BLUE COVER 9X35*	45	210		OK	207,72
C1035LWTPS	MWG CAB. TOP LINE CLEAR WHITE BODY - LIGHT BLUE COVER 10X35*	45	210		OK	218,50

Ref	Width (mm)	Length (mm)	Height (mm)
C0735LWTPS	320	500	1140
C0835LWTPS	320	500	1140
C0935LWTPS	320	500	1140
C1035LWTPS	320	500	1140

Box: WxLxH	Box: Q.ty	Box: Weight	Pallet: WxLxH	Pallet: Q.ty	Pallet: Weight

### Accessories

Ref	Description	Fam.	Subfam.	Note	Disp. Stock	Price Euro
PA076	MWG BRINE WELL D=100 MM H=780 MM (CAB. 35" SURF/LINE)	45	215		OK	16,79
PA001	MWG CAP FOR BRINE WELL D=100 MM	45	215		OK	0,65

Certificates	Manufacturer	Sectors
	<b>MWG</b>	Domestic



## Cabinets for Softeners Top Surf Clear Series



- Tanks and covers made in European Union (Italy);
- Cabinets for residential softeners, complete with salt lid and cover of exclusive design with transparent insert;
- With MWG tank;
- Materials: tank in HDPE, cover in polystyrene;
- Standard colours: white tank and blue cover;
- Customized colours for tanks and covers: contact your Area Manager for minimum quantities;
- EU design patent no. 003156272.

Ref	Description	Fam.	Subfam.	Note	Disp. Stock	Price Euro
C0717SWTPS	MWG CAB. TOP SURF CLEAR WHITE BODY - LIGHT BLUE COVER 7X17*	45	210		OK	139,64
C0817SWTPS	MWG CAB. TOP SURF CLEAR WHITE BODY - LIGHT BLUE COVER 8X17*	45	210		OK	142,96
C0917SWTPS	MWG CAB. TOP SURF CLEAR WHITE BODY - LIGHT BLUE COVER 9X17*	45	210		OK	144,30
C1017SWTPS	MWG CAB. TOP SURF CLEAR WHITE BODY - LIGHT BLUE COVER 10X17*	45	210		OK	153,70

Ref	Width (mm)	Length(mm)	Height (mm)
C0717SWTPS	320	500	670
C0817SWTPS	320	500	670
C0917SWTPS	320	500	670
C1017SWTPS	320	500	670

Box: WxLxH	Box: Q.ty	Box: Weight	Pallet: WxLxH	Pallet: Q.ty	Pallet: Weight

### Accessories

Ref	Description	Fam.	Subfam.	Note	Disp. Stock	Price Euro
PA002	MWG BRINE WELL D=100 MM H=340 MM (CAB. 17")	45	215		OK	11,70
PA001	MWG CAP FOR BRINE WELL D=100 MM	45	215		OK	0,65

Certificates	Manufacturer	Sectors
	<b>MWG</b>	Domestic





## Cabinets for Softeners Top Surf Clear Series



Ref	Description	Fam.	Subfam.	Note	Disp. Stock	Price Euro
C0724SWTPS	MWG CAB. TOP SURF CLEAR WHITE BODY - LIGHT BLUE COVER 7X24*	45	210		OK	177,61
C0824SWTPS	MWG CAB. TOP SURF CLEAR WHITE BODY - LIGHT BLUE COVER 8X24*	45	210		OK	180,00
C0924SWTPS	MWG CAB. TOP SURF CLEAR WHITE BODY - LIGHT BLUE COVER 9X24*	45	210		OK	181,45
C1024SWTPS	MWG CAB. TOP SURF CLEAR WHITE BODY - LIGHT BLUE COVER 10X24*	45	210		OK	184,97

Ref	Width (mm)	Length (mm)	Height (mm)
C0724SWTPS	320	500	840
C0824SWTPS	320	500	840
C0924SWTPS	320	500	840
C1024SWTPS	320	500	840

Box: WxLxH	Box: Q.ty	Box: Weight	Pallet: WxLxH	Pallet: Q.ty	Pallet: Weight

### Accessories

Ref	Description	Fam.	Subfam.	Note	Disp. Stock	Price Euro
PA074	MWG BRINE WELL D=100 MM H=520 MM (CAB. 24" + BRINETANK 100L)	45	215		OK	13,72
PA001	MWG CAP FOR BRINE WELL D=100 MM	45	215		OK	0,65

Certificates	Manufacturer	Sectors
	<b>MWG</b>	Domestic



## Cabinets for Softeners Top Surf Clear Series



Ref	Description	Fam.	Subfam.	Note	Disp. Stock	Price Euro
C0735SWTPS	MWG CAB. TOP SURF CLEAR WHITE BODY - LIGHT BLUE COVER 7X35*	45	210		OK	197,40
C0835SWTPS	MWG CAB. TOP SURF CLEAR WHITE BODY - LIGHT BLUE COVER 8X35*	45	210		OK	203,05
C0935SWTPS	MWG CAB. TOP SURF CLEAR WHITE BODY - LIGHT BLUE COVER 9X35*	45	210		OK	207,72
C1035SWTPS	MWG CAB. TOP SURF CLEAR WHITE BODY - LIGHT BLUE COVER 10X35*	45	210		OK	218,50

Ref	Width (mm)	Length (mm)	Height (mm)
C0735SWTPS	320	500	1140
C0735SWTZS	320	500	1140
C0735SWTTS	320	500	1140
C0835SWTPS	320	500	1140
C0835SWTZS	320	500	1140
C0835SWTTS	320	500	1140
C0935SWTPS	320	500	1140
C0935SWTZS	320	500	1140
C0935SWTTS	320	500	1140
C1035SWTPS	320	500	1140
C1035SWTWS	320	500	1140
C1035SWTTS	320	500	1140

Box: WxLxH	Box: Q.ty	Box: Weight	Pallet: WxLxH	Pallet: Q.ty	Pallet: Weight

### Accessories

Ref	Description	Fam.	Subfam.	Note	Disp. Stock	Price Euro
PA076	MWG BRINE WELL D=100 MM H=780 MM (CAB. 35" SURF/LINE)	45	215		OK	16,79
PA001	MWG CAP FOR BRINE WELL D=100 MM	45	215		OK	0,65

Certificates	Manufacturer	Sectors
	<b>MWG</b>	Domestic



## Cabinets for Softeners New Crystal

- Tanks and covers made in European Union (Italy);
- Cabinets for residential softeners, complete with salt lid and cover of exclusive design with clear insert;
- With MWG tank;
- Materials: tank and salt lid in HDPE; cover in polystyrene;
- Standard colours: white tank and blue, white or black cover;
- Customized colours for tanks and covers: contact your Area Manager for minimum quantities;
- EU design patent no. 003156272.



Ref	Description	Fam.	Subfam.	Note	Disp. Stock	Price Euro
C0717NWCAS	MWG CAB. NEWMINI CRYSTAL WHITE BODY - LIGHT BLUE COVER 7X17*	45	210		OK	130,64
C0717NWCWS	MWG CAB. NEWMINI CRYSTAL WHITE BODY - WHITE COVER7X17*	45	210		OK	130,64
C0717NWCDS	MWG CAB. NEWMINI CRYSTAL WHITE BODY - BLACK COVER7X17*	45	210		OK	130,64
C0817NWCAS	MWG CAB. NEWMINI CRYSTAL WHITE BODY - LIGHT BLUE COVER 8X17*	45	210		OK	134,97
C0817NWCWS	MWG CAB. NEWMINI CRYSTAL WHITE BODY - WHITE COVER8X17*	45	210		OK	134,97
C0817NWCDS	MWG CAB. NEWMINI CRYSTAL WHITE BODY - BLACK COVER8X17*	45	210		OK	134,97
C0917NWCAS	MWG CAB. NEWMINI CRYSTAL WHITE BODY - LIGHT BLUE COVER 9X17*	45	210		OK	136,32
C0917NWCWS	MWG CAB. NEWMINI CRYSTAL WHITE BODY - WHITE COVER9X17*	45	210		OK	136,32
C0917NWCDS	MWG CAB. NEWMINI CRYSTAL WHITE BODY - BLACK COVER9X17*	45	210		OK	136,32
C1017NWCAS	MWG CAB. NEWMINI CRYSTAL WHITE BODY - LIGHT BLUE COVER 10X17*	45	210		OK	140,75
C1017NWCWS	MWG CAB. NEWMINI CRYSTAL WHITE BODY - WHITE COVER10X17*	45	210		OK	140,75
C1017NWCDS	MWG CAB. NEWMINI CRYSTAL WHITE BODY - BLACK COVER10X17*	45	210		OK	140,75

Ref	Width (mm)	Length (mm)	height (mm)
C0717NWCAS	320	500	670
C0717NWCWS	320	500	670
C0717NWCDS	320	500	670
C0817NWCAS	320	500	670
C0817NWCWS	320	500	670
C0817NWCDS	320	500	670
C0917NWCAS	320	500	670
C0917NWCWS	320	500	670
C0917NWCDS	320	500	670
C1017NWCAS	320	500	670
C1017NWCWS	320	500	670
C1017NWCDS	320	500	670

Box: WxLxH	Box: Q.ty	Box: Weight	Pallet: WxLxH	Pallet: Q.ty	Pallet: Weight

### Accessories

Ref	Description	Fam.	Subfam.	Note	Disp. Stock	Price Euro
PA002	MWG BRINE WELL D=100 MM H=340 MM (CAB. 17")	45	215		OK	11,70
PA001	MWG CAP FOR BRINE WELL D=100 MM	45	215		OK	0,65

Certificates	Manufacturer	Sectors
	<b>MWG</b>	Domestic



Cabinets for Softeners New Crystal



Ref	Description	Fam.	Subfam.	Note	Disp. Stock	Price Euro
C0730NWCAS	MWG CAB. NEWMIDI CRYSTAL WHITE BODY - LIGHT BLUE COVER 7X30*	45	210		OK	176,32
C0730NWCWS	MWG CAB. NEWMIDI CRYSTAL WHITE BODY - WHITE COVER7X30*	45	210		OK	176,32
C0730NWCDS	MWG CAB. NEWMIDI CRYSTAL WHITE BODY - BLACK COVER7X30*	45	210		OK	176,32
C0830NWCAS	MWG CAB. NEWMIDI CRYSTAL WHITE BODY - LIGHT BLUE COVER 8X30*	45	210		OK	178,86
C0830NWCWS	MWG CAB. NEWMIDI CRYSTAL WHITE BODY - WHITE COVER8X30*	45	210		OK	178,86
C0830NWCDS	MWG CAB. NEWMIDI CRYSTAL WHITE BODY - BLACK COVER8X30*	45	210		OK	178,86
C0930NWCAS	MWG CAB. NEWMIDI CRYSTAL WHITE BODY - LIGHT BLUE COVER 9X30*	45	210		OK	180,43
C0930NWCWS	MWG CAB. NEWMIDI CRYSTAL WHITE BODY - WHITE COVER9X30*	45	210		OK	180,43
C0930NWCDS	MWG CAB. NEWMIDI CRYSTAL WHITE BODY - BLACK COVER9X30*	45	210		OK	180,43
C1030NWCAS	MWG CAB. NEWMIDI CRYSTAL WHITE BODY - LIGHT BLUE COVER 10X30*	45	210		OK	183,16
C1030NWCWS	MWG CAB. NEWMIDI CRYSTAL WHITE BODY - WHITE COVER10X30*	45	210		OK	183,16
C1030NWCDS	MWG CAB. NEWMIDI CRYSTAL WHITE BODY - BLACK COVER10X30*	45	210		OK	183,16

Ref	Width (mm)	Length (mm)	Height (mm)
C0730NWCAS	320	500	1010
C0730NWCWS	320	500	1010
C0730NWCDS	320	500	1010
C0830NWCAS	320	500	1010
C0830NWCWS	320	500	1010
C0830NWCDS	320	500	1010
C0930NWCAS	320	500	1010
C0930NWCWS	320	500	1010
C0930NWCDS	320	500	1010
C1030NWCAS	320	500	1010
C1030NWCWS	320	500	1010
C1030NWCDS	320	500	1010

Box: WxLxH	Box: Q.ty	Box: Weight	Pallet: WxLxH	Pallet: Q.ty	Pallet: Weight

Accessories

Ref	Description	Fam.	Subfam.	Note	Disp. Stock	Price Euro
PA009	MWG BRINE WELL D=100 MM H=690 MM (CAB. 30" + BRINETANK 140L)	45	230		OK	15,30
PA001	MWG CAP FOR BRINE WELL D=100 MM	45	215		OK	0,65

Certificates	Manufacturer	Sectors
	MWG	Domestic



## Cabinets for Softeners New Crystal



Ref	Description	Fam.	Subfam.	Note	Disp. Stock	Price Euro
C0735NWCAS	MWG CAB. NEWMAXI CRYSTAL WHITE BODY - LIGHT BLUE COVER 7X35*	45	210		OK	188,41
C0735NWCWS	MWG CAB. NEWMAXI CRYSTAL WHITE BODY - WHITE COVER7X35*	45	210		OK	188,41
C0735NWCDS	MWG CAB. NEWMAXI CRYSTAL WHITE BODY - BLACK COVER7X35*	45	210		OK	188,41
C0835NWCAS	MWG CAB. NEWMAXI CRYSTAL WHITE BODY - LIGHT BLUE COVER 8X35*	45	210		OK	194,05
C0835NWCWS	MWG CAB. NEWMAXI CRYSTAL WHITE BODY - WHITE COVER8X35*	45	210		OK	194,05
C0835NWCDS	MWG CAB. NEWMAXI CRYSTAL WHITE BODY - BLACK COVER8X35*	45	210		OK	194,05
C0935NWCAS	MWG CAB. NEWMAXI CRYSTAL WHITE BODY - LIGHT BLUE COVER 9X35*	45	210		OK	198,72
C0935NWCWS	MWG CAB. NEWMAXI CRYSTAL WHITE BODY - WHITE COVER9X35*	45	210		OK	198,72
C0935NWCDS	MWG CAB. NEWMAXI CRYSTAL WHITE BODY - BLACK COVER9X35*	45	210		OK	198,72
C1035NWCAS	MWG CAB. NEWMAXI CRYSTAL WHITE BODY - LIGHT BLUE COVER 10X35*	45	210		OK	210,52
C1035NWCWS	MWG CAB. NEWMAXI CRYSTAL WHITE BODY - WHITE COVER10X35*	45	210		OK	210,52
C1035NWCDS	MWG CAB. NEWMAXI CRYSTAL WHITE BODY - BLACK COVER10X35*	45	210		OK	210,52

Ref	Width (mm)	Length (mm)	Height (mm)
C0735NWCAS	320	500	1140
C0735NWCWS	320	500	1140
C0735NWCDS	320	500	1140
C0835NWCAS	320	500	1140
C0835NWCWS	320	500	1140
C0835NWCDS	320	500	1140
C0935NWCAS	320	500	1140
C0935NWCWS	320	500	1140
C0935NWCDS	320	500	1140
C1035NWCAS	320	500	1140
C1035NWCWS	320	500	1140
C1035NWCDS	320	500	1140

Box: WxLxH	Box: Q.ty	Box: Weight	Pallet: WxLxH	Pallet: Q.ty	Pallet: Weight

### Accessories

Ref	Description	Fam.	Subfam.	Note	Disp. Stock	Price Euro
PA004	MWG BRINE WELL D=100 MM H=820 MM (CAB. 35"MAXI)	45	215		OK	17,10
PA001	MWG CAP FOR BRINE WELL D=100 MM	45	215		OK	0,65

Certificates	Manufacturer	Sectors
	<b>MWG</b>	Domestic



## Cabinets for Softeners New Crystal Black



- Tanks and covers made in European Union (Italy);
- Cabinets for residential softeners, complete with salt lid and cover of exclusive design with clear insert;
- With MWG tank;
- Materials: tank and salt lid in HDPE; cover in polystyrene;
- Standard colours: black tank and black cover;
- EU design patent no. 003156272.

Ref.	Description	Fam.	Subfam.	Note	Disp. Stock	Price Euro
C0717NDCDS	MWG CAB. NEWMINI CRYSTAL BLACK BODY - BLACK COVER 7X17*	45	210		OK	130,59
C0817NDCDS	MWG CAB. NEWMINI CRYSTAL BLACK BODY - BLACK COVER 8X17*	45	210		OK	134,92
C0917NDCDS	MWG CAB. NEWMINI CRYSTAL BLACK BODY - BLACK COVER 9X17*	45	210		OK	136,20
C1017NDCDS	MWG CAB. NEWMINI CRYSTAL BLACK BODY - BLACK COVER 10X17*	45	210		OK	140,24

Ref.	Width (mm)	Length (mm)	height (mm)
C0717NDCDS	320	500	670
C0817NDCDS	320	500	670
C0917NDCDS	320	500	670
C1017NDCDS	320	500	670

Box: WxLxH	Box: Q.ty	Box: Weight	Pallet: WxLxH	Pallet: Q.ty	Pallet: Weight

### Accessories

Ref.	Description	Fam.	Subfam.	Note	Disp. Stock	Price Euro
PA002	MWG BRINE WELL D=100 MM H=340 MM (CAB. 17")	45	215		OK	11,70
PA001	MWG CAP FOR BRINE WELL D=100 MM	45	215		OK	0,65



Ref.	Description	Fam.	Subfam.	Note	Disp. Stock	Price Euro
C0730NDCDS	MWG CAB. NEWMIDI CRYSTAL BLACK BODY - BLACK COVER 7X30*	45	210		OK	176,35
C0830NDCDS	MWG CAB. NEWMIDI CRYSTAL BLACK BODY - BLACK COVER 8X30*	45	210		OK	179,03
C0930NDCDS	MWG CAB. NEWMIDI CRYSTAL BLACK BODY - BLACK COVER 9X30*	45	210		OK	180,34
C1030NDCDS	MWG CAB. NEWMIDI CRYSTAL BLACK BODY - BLACK COVER 10X30*	45	210		OK	183,24

Ref.	Width (mm)	Length (mm)	Height (mm)
C0730NDCDS	320	500	1010
C0830NDCDS	320	500	1010
C0930NDCDS	320	500	1010
C1030NDCDS	320	500	1010

Box: WxLxH	Box: Q.ty	Box: Weight	Pallet: WxLxH	Pallet: Q.ty	Pallet: Weight

### Accessories

Ref	Description	Fam.	Subfam.	Note	Disp. Stock	Price Euro
PA009	MWG BRINE WELL D=100 MM H=690 MM (CAB. 30" + BRINETANK 140L)	45	230		OK	15,30
PA001	MWG CAP FOR BRINE WELL D=100 MM	45	215		OK	0,65

Certificates	Manufacturer	Sectors
	MWG	Domestic



## Cabinets for Softeners New Crystal Black



Ref.	Description	Fam.	Subfam.	Note	Disp. Stock	Price Euro
C0735NDCDS	MWG CAB. NEWMAXI CRYSTAL BLACK BODY - BLACK COVER 7X35*	45	210		OK	188,33
C0835NDCDS	MWG CAB. NEWMAXI CRYSTAL BLACK BODY - BLACK COVER 8X35*	45	210		OK	193,89
C0935NDCDS	MWG CAB. NEWMAXI CRYSTAL BLACK BODY - BLACK COVER 9X35*	45	210		OK	198,44
C1035NDCDS	MWG CAB. NEWMAXI CRYSTAL BLACK BODY - BLACK COVER 10X35*	45	210		OK	206,38

Ref.	Width (mm)	Length (mm)	Height (mm)
C0735NDCDS	320	500	1140
C0835NDCDS	320	500	1140
C0935NDCDS	320	500	1140
C1035NDCDS	320	500	1140

Box: WxLxH	Box: Q.ty	Box: Weight	Pallet: WxLxH	Pallet: Q.ty	Pallet: Weight

### Accessories

Ref.	Description	Fam.	Subfam.	Note	Disp. Stock	Price Euro
PA004	MWG BRINE WELL D=100 MM H=820 MM (CAB. 35"MAXI)	45	215		OK	17,10
PA001	MWG CAP FOR BRINE WELL D=100 MM	45	215		OK	0,65

Certificates	Manufacturer	Sectors
	<b>MWG</b>	Domestic



## Cabinets for Softeners New Iceberg

- Tanks and covers made in European Union (Italy);
- Cabinets for residential softeners, complete with salt lid and cover of exclusive design with clear insert;
- With MWG tank;
- Materials: tank and salt lid in HDPE; cover in polystyrene;
- Standard colours: white tank and blue, white or black cover;
- Customized colours for tanks and covers: contact your Area Manager for minimum quantities;
- EU design patent no. 003156272.

Ref	Description	Fam.	Subfam.	Note	Disp. Stock	Price Euro
C0717NWIQS	MWG CAB. NEWMINI ICEBERG WHITE BODY - LIGHT BLUE/WHITE COVER 7X17*	45	210		OK	130,64
C0817NWIQS	MWG CAB. NEWMINI ICEBERG WHITE BODY - LIGHT BLUE/WHITE COVER 8X17*	45	210		OK	134,97
C0917NWIQS	MWG CAB. NEWMINI ICEBERG WHITE BODY - LIGHT BLUE/WHITE COVER 9X17*	45	210		OK	136,32
C1017NWIQS	MWG CAB. NEWMINI ICEBERG WHITE BODY - LIGHT BLUE/WHITE COVER 10X17*	45	210		OK	140,75

Ref	Width (mm)	Length (mm)	Height (mm)
C0717NWIQS	320	500	670
C0817NWIQS	320	500	670
C0917NWIQS	320	500	670
C1017NWIQS	320	500	670

Box: WxLxH	Box: Q.ty	Box: Weight	Pallet: WxLxH	Pallet: Q.ty	Pallet: Weight

### Accessories

Ref	Description	Fam.	Subfam.	Note	Disp. Stock	Price Euro
PA002	MWG BRINE WELL D=100 MM H=340 MM (CAB. 17")	45	215		OK	11,70
PA001	MWG CAP FOR BRINE WELL D=100 MM	45	215		OK	0,65

Certificates	Manufacturer	Sectors
	<b>MWG</b>	Domestic







## Cabinets for Softeners New Iceberg



Ref	Description	Fam.	Subfam.	Note	Disp. Stock	Price Euro
C0730NWIQS	MWG CAB. NEWMIDI ICEBERG WHITE BODY - LIGHT BLUE/WHITE COVER 7X30*	45	210		OK	176,32
C0830NWIQS	MWG CAB. NEWMIDI ICEBERG WHITE BODY - LIGHT BLUE/WHITE COVER 8X30*	45	210		OK	178,86
C0930NWIQS	MWG CAB. NEWMIDI ICEBERG WHITE BODY - LIGHT BLUE/WHITE COVER 9X30*	45	210		OK	180,43
C1030NWIQS	MWG CAB. NEWMIDI ICEBERG WHITE BODY - LIGHT BLUE/WHITE COVER 10X30*	45	210		OK	179,99

Ref	Width (mm)	Length (mm)	Height (mm)
C0730NWIQS	320	500	1010
C0830NWIQS	320	500	1010
C0930NWIQS	320	500	1010
C1030NWIQS	320	500	1010

Box: WxLxH	Box: Q.ty	Box: Weight	Pallet: WxLxH	Pallet: Q.ty	Pallet: Weight

### Accessories

Ref	Description	Fam.	Subfam.	Note	Disp. Stock	Price Euro
PA009	MWG BRINE WELL D=100 MM H=690 MM (CAB. 30" + BRINETANK 140L)	45	230		OK	15,30
PA001	MWG CAP FOR BRINE WELL D=100 MM	45	215		OK	0,65

Certificates	Manufacturer	Sectors
	<b>MWG</b>	Domestic



## Cabinets for Softeners New Iceberg



Ref	Description	Fam.	Subfam.	Note	Disp. Stock	Price Euro
C0735NWIQS	MWG CAB. NEWMAXI ICEBERG WHITE BODY - LIGHT BLUE/WHITE COVER 7X35*	45	210		OK	188,41
C0835NWIQS	MWG CAB. NEWMAXI ICEBERG WHITE BODY - LIGHT BLUE/WHITE COVER 8X35*	45	210		OK	194,05
C0935NWIQS	MWG CAB. NEWMAXI ICEBERG WHITE BODY - LIGHT BLUE/WHITE COVER 9X35*	45	210		OK	198,72
C1035NWIQS	MWG CAB. NEWMAXI ICEBERG WHITE BODY - LIGHT BLUE/WHITE COVER 10X35*	45	210		OK	210,52

Ref	Width (mm)	Length (mm)	Height (mm)
C0735NWIQS	320	500	1140
C0835NWIQS	320	500	1140
C0935NWIQS	320	500	1140
C1035NWIQS	320	500	1140

Box: WxLxH	Box: Q.ty	Box: Weight	Pallet: WxLxH	Pallet: Q.ty	Pallet: Weight

### Accessories

Ref	Description	Fam.	Subfam.	Note	Disp. Stock	Price Euro
PA004	MWG BRINE WELL D=100 MM H=820 MM (CAB. 35" MAXI)	45	215		OK	17,10
PA001	MWG CAP FOR BRINE WELL D=100 MM	45	215		OK	0,65

Certificates	Manufacturer	Sectors
	<b>MWG</b>	Domestic



## Cabinet for Softeners Ocean Series

- Tanks and covers made in European Union (Italy);
- Cabinets for residential softeners, complete with salt lid and cover of exclusive design with clear insert;
- With MWG tank;
- Materials: tank and salt lid in HDPE; cover in polystyrene;
- Standard colours: white tank and blue, white or black cover;
- Customized colours for tanks and covers: contact your Area Manager for minimum quantities;
- EU design patent no. 003156272.



Ref	Description	Fam.	Subfam.	Note	Disp. Stock	Price Euro
C0717NWOAS	MWG CAB. NEWMINI OCEAN WHITE BODY - LIGHT BLUE COVER 7X17*	45	210		OK	139,63
C0717NWOWS	MWG CAB. NEWMINI OCEAN WHITE BODY - WHITE COVER 7X17*	45	210		OK	139,63
C0717NWODS	MWG CAB. NEWMINI OCEAN WHITE BODY - BLACK COVER 7X17*	45	210		OK	139,63
C0817NWOAS	MWG CAB. NEWMINI OCEAN WHITE BODY - LIGHT BLUE COVER 8X17*	45	210		OK	142,95
C0817NWOWS	MWG CAB. NEWMINI OCEAN WHITE BODY - WHITE COVER 8X17*	45	210		OK	142,95
C0817NWODS	MWG CAB. NEWMINI OCEAN WHITE BODY - BLACK COVER 8X17*	45	210		OK	142,95
C0917NWOAS	MWG CAB. NEWMINI OCEAN WHITE BODY - LIGHT BLUE COVER 9X17*	45	210		OK	144,29
C0917NWOWS	MWG CAB. NEWMINI OCEAN WHITE BODY - WHITE COVER 9X17*	45	210		OK	144,29
C0917NWODS	MWG CAB. NEWMINI OCEAN WHITE BODY - BLACK COVER 9X17*	45	210		OK	144,29
C1017NWOAS	MWG CAB. NEWMINI OCEAN WHITE BODY - LIGHT BLUE COVER 10X17*	45	210		OK	149,73
C1017NWOWS	MWG CAB. NEWMINI OCEAN WHITE BODY - WHITE COVER 10X17*	45	210		OK	149,73
C1017NWODS	MWG CAB. NEWMINI OCEAN WHITE BODY - BLACK COVER 10X17*	45	210		OK	149,73

Ref	Width (mm)	Length (mm)	Height (mm)
C0717NWOAS	320	500	670
C0717NWOWS	320	500	670
C0717NWODS	320	500	670
C0817NWOAS	320	500	670
C0817NWOWS	320	500	670
C0817NWODS	320	500	670
C0917NWOAS	320	500	670
C0917NWOWS	320	500	670
C0917NWODS	320	500	670
C1017NWOAS	320	500	670
C1017NWOWS	320	500	670
C1017NWODS	320	500	670

Box: WxLxH	Box: Q.ty	Box: Weight	Pallet: WxLxH	Pallet: Q.ty	Pallet: Weight

### Accessories

Ref	Description	Fam.	Subfam.	Note	Disp. Stock	Price Euro
PA002	MWG BRINE WELL D=100 MM H=340 MM (CAB. 17")	45	215		OK	11,70
PA001	MWG CAP FOR BRINE WELL D=100 MM	45	215		OK	0,65

Certificates	Manufacturer	Sectors
	<b>MWG</b>	Domestic



## Cabinet for Softeners Ocean Series



Ref	Description	Fam.	Subfam.	Note	Disp. Stock	Price Euro
C0730NWOAS	MWG CAB. NEWMIDI OCEAN WHITE BODY - LIGHT BLUE COVER 7X30*	45	210		OK	184,30
C0730NWOWS	MWG CAB. NEWMIDI OCEAN WHITE BODY - WHITE COVER 7X30*	45	210		OK	184,30
C0730NWODS	MWG CAB. NEWMIDI OCEAN WHITE BODY - BLACK COVER 7X30*	45	210		OK	184,30
C0830NWOAS	MWG CAB. NEWMIDI OCEAN WHITE BODY - LIGHT BLUE COVER 8X30*	45	210		OK	187,84
C0830NWOWS	MWG CAB. NEWMIDI OCEAN WHITE BODY - WHITE COVER 8X30*	45	210		OK	187,84
C0830NWODS	MWG CAB. NEWMIDI OCEAN WHITE BODY - BLACK COVER 8X30*	45	210		OK	187,84
C0930NWOAS	MWG CAB. NEWMIDI OCEAN WHITE BODY - LIGHT BLUE COVER 9X30*	45	210		OK	189,41
C0930NWOWS	MWG CAB. NEWMIDI OCEAN WHITE BODY - WHITE COVER 9X30 *	45	210		OK	189,41
C0930NWODS	MWG CAB. NEWMIDI OCEAN WHITE BODY - BLACK COVER 9X30*	45	210		OK	189,41
C1030NWOAS	MWG CAB. NEWMIDI OCEAN WHITE BODY - LIGHT BLUE COVER 10X30*	45	210		OK	191,11
C1030NWOWS	MWG CAB. NEWMIDI OCEAN WHITE BODY - WHITE COVER 10X30*	45	210		OK	191,11
C1030NWODS	MWG CAB. NEWMIDI OCEAN WHITE BODY - BLACK COVER 10X30*	45	210		OK	191,11

Ref	Width (mm)	Length (mm)	Height (mm)
C0730NWOAS	320	500	1010
C0730NWOWS	320	500	1010
C0730NWODS	320	500	1010
C0830NWOAS	320	500	1010
C0830NWOWS	320	500	1010
C0830NWODS	320	500	1010
C0930NWOAS	320	500	1010
C0930NWOWS	320	500	1010
C0930NWODS	320	500	1010
C1030NWOAS	320	500	1010
C1030NWOWS	320	500	1010
C1030NWODS	320	500	1010

Box: WxLxH	Box: Q.ty	Box: Weight	Pallet: WxLxH	Pallet: Q.ty	Pallet: Weight

### Accessories

Ref	Description	Fam.	Subfam.	Note	Disp. Stock	Price Euro
PA009	MWG BRINE WELL D=100 MM H=690 MM (CAB. 30" + BRINETANK 140L)	45	230		OK	15,30
PA001	MWG CAP FOR BRINE WELL D=100 MM	45	215		OK	0,65

Certificates	Manufacturer	Sectors
	<b>MWG</b>	Domestic



Cabinet for Softeners Ocean Series



Ref	Description	Fam.	Subfam.	Note	Disp. Stock	Price Euro
C0735NWOAS	MWG CAB. NEWMAXI OCEAN WHITE BODY - LIGHT BLUE COVER 7X35*	45	210		OK	197,39
C0735NWOWS	MWG CAB. NEWMAXI OCEAN WHITE BODY - WHITE COVER 7X35*	45	210		OK	197,39
C0735NWODS	MWG CAB. NEWMAXI OCEAN WHITE BODY - BLACK COVER 7X35*	45	210		OK	197,39
C0835NWOAS	MWG CAB. NEWMAXI OCEAN WHITE BODY - LIGHT BLUE COVER 8X35*	45	210		OK	203,03
C0835NWOWS	MWG CAB. NEWMAXI OCEAN WHITE BODY - WHITE COVER 8X35*	45	210		OK	203,03
C0835NWODS	MWG CAB. NEWMAXI OCEAN WHITE BODY - BLACK COVER 8X35*	45	210		OK	203,03
C0935NWOAS	MWG CAB. NEWMAXI OCEAN WHITE BODY - LIGHT BLUE COVER 9X35*	45	210		OK	207,69
C0935NWOWS	MWG CAB. NEWMAXI OCEAN WHITE BODY - WHITE COVER 9X35*	45	210		OK	207,69
C0935NWODS	MWG CAB. NEWMAXI OCEAN WHITE BODY - BLACK COVER 9X35*	45	210		OK	207,69
C1035NWOAS	MWG CAB. NEWMAXI OCEAN WHITE BODY - LIGHT BLUE COVER 10X35*	45	210		OK	218,48
C1035NWOWS	MWG CAB. NEWMAXI OCEAN WHITE BODY - WHITE COVER 10X35*	45	210		OK	218,48
C1035NWODS	MWG CAB. NEWMAXI OCEAN WHITE BODY - BLACK COVER 10X35*	45	210		OK	218,48

Ref	Width (mm)	Length (mm)	Height (mm)
C0735NWOAS	320	500	1140
C0735NWOWS	320	500	1140
C0735NWODS	320	500	1140
C0835NWOAS	320	500	1140
C0835NWOWS	320	500	1140
C0835NWODS	320	500	1140
C0935NWOAS	320	500	1140
C0935NWOWS	320	500	1140
C0935NWODS	320	500	1140
C1035NWOAS	320	500	1140
C1035NWOWS	320	500	1140
C1035NWODS	320	500	1140

Box: WxLxH	Box: Q.ty	Box: Weight	Pallet: WxLxH	Pallet: Q.ty	Pallet: Weight

Accessories

Ref	Description	Fam.	Subfam.	Note	Disp. Stock	Price Euro
PA004	MWG BRINE WELL D=100 MM H=820 MM (CAB. 35"MAXI)	45	215		OK	17,10
PA001	MWG CAP FOR BRINE WELL D=100 MM	45	215		OK	0,65

Certificates	Manufacturer	Sectors
	<b>MWG</b>	Domestic



## Cabinets for Softeners Logix Series

- Tanks and covers made in European Union (Italy);
- Cabinets for residential softeners, complete with salt lid and cover for integrate installation of LOGIX control AUTOTROL valves;
- With MWG tank;
- Materials: tank and salt lid in HDPE; cover in polystyrene;
- Standard colours: white tank and blue or white cover;
- Customized colours for tanks and covers: contact your Area Manager for minimum quantities;
- EU design patent no. 003156272.



Ref	Description	Fam.	Subfam.	Note	Disp. Stock	Price Euro
C0717NWLAS	MWG CAB. NEWMINI LOGIX WHITE BODY - LIGHT BLUE COVER 7X17*	45	210		OK	139,66
C0717NWLWS	MWG CAB. NEWMINI LOGIX WHITE BODY - WHITE COVER 7X17*	45	210		OK	139,66
C0817NWLAS	MWG CAB. NEWMINI LOGIX WHITE BODY - LIGHT BLUE COVER 8X17*	45	210		OK	142,99
C0817NWLWS	MWG CAB. NEWMINI LOGIX WHITE BODY - WHITE COVER 8X17*	45	210		OK	142,99
C0917NWLAS	MWG CAB. NEWMINI LOGIX WHITE BODY - LIGHT BLUE COVER 9X17*	45	210		OK	144,35
C0917NWLWS	MWG CAB. NEWMINI LOGIX WHITE BODY - WHITE COVER 9X17*	45	210		OK	144,35
C1017NWLAS	MWG CAB. NEWMINI LOGIX WHITE BODY - LIGHT BLUE COVER 10X17*	45	210		OK	149,81
C1017NWLWS	MWG CAB. NEWMINI LOGIX WHITE BODY - WHITE COVER 10X17*	45	210		OK	149,81

Ref	Width (mm)	Length (mm)	Height (mm)
C0717NWLAS	320	500	670
C0717NWLWS	320	500	670
C0717NWLDS	320	500	670
C0817NWLAS	320	500	670
C0817NWLWS	320	500	670
C0817NWLDS	320	500	670
C0917NWLAS	320	500	670
C0917NWLWS	320	500	670
C0917NWLDS	320	500	670
C1017NWLAS	320	500	670
C1017NWLWS	320	500	670
C1017NWLDS	320	500	670

### Accessories

Ref	Description	Fam.	Subfam.	Note	Disp. Stock	Price Euro
PA002	MWG BRINE WELL D=100 MM H=340 MM (CAB. 17")	45	215		OK	11,70
PA001	MWG CAP FOR BRINE WELL D=100 MM	45	215		OK	0,65

Certificates	Manufacturer	Sectors
	<b>MWG</b>	Domestic



## Cabinets for Softeners Logix Series



Ref	Description	Fam.	Subfam.	Note	Disp. Stock	Price Euro
C0730NWLAS	MWG CAB. NEWMIDI LOGIX WHITE BODY - LIGHT BLUE COVER 7X30*	45	210		OK	184,34
C0730NWLWS	MWG CAB. NEWMIDI LOGIX WHITE BODY - WHITE COVER 7X30*	45	210		OK	184,34
C0830NWLAS	MWG CAB. NEWMIDI LOGIX WHITE BODY - LIGHT BLUE COVER 8X30*	45	210		OK	187,90
C0830NWLWS	MWG CAB. NEWMIDI LOGIX WHITE BODY - WHITE COVER 8X30*	45	210		OK	187,90
C0930NWLAS	MWG CAB. NEWMIDI LOGIX WHITE BODY - LIGHT BLUE COVER 9X30*	45	210		OK	189,49
C0930NWLWS	MWG CAB. NEWMIDI LOGIX WHITE BODY - WHITE COVER 9X30*	45	210		OK	189,49
C1030NWLAS	MWG CAB. NEWMIDI LOGIX WHITE BODY - LIGHT BLUE COVER 10X30*	45	210		OK	191,22
C1030NWLWS	MWG CAB. NEWMIDI LOGIX WHITE BODY - WHITE COVER 10X30*	45	210		OK	191,22

Ref	Width (mm)	Length (mm)	Height (mm)
C0730NWLAS	320	500	1010
C0730NWLWS	320	500	1010
C0830NWLAS	320	500	1010
C0830NWLWS	320	500	1010
C0930NWLAS	320	500	1010
C0930NWLWS	320	500	1010
C1030NWLAS	320	500	1010
C1030NWLWS	320	500	1010

Box: WxLxH	Box: Q.ty	Box: Weight	Pallet: WxLxH	Pallet: Q.ty	Pallet: Weight

### Accessories

Ref	Description	Fam.	Subfam.	Note	Disp. Stock	Price Euro
PA009	MWG BRINE WELL D=100 MM H=690 MM (CAB. 30" + BRINETANK 140L)	45	230		OK	15,30
PA001	MWG CAP FOR BRINE WELL D=100 MM	45	215		OK	0,65

Certificates	Manufacturer	Sectors
	<b>MWG</b>	Domestic



## Cabinets for Softeners Logix Series



Ref.	Description	Fam.	Subfam.	Note	Disp. Stock	Price Euro
C0735NWLAS	MWG CAB. NEWMAXI LOGIX WHITE BODY - LIGHT BLUE COVER 7X35*	45	210		OK	197,44
C0735NWLWS	MWG CAB. NEWMAXI LOGIX WHITE BODY - WHITE COVER 7X35*	45	210		OK	197,44
C0835NWLAS	MWG CAB. NEWMAXI LOGIX WHITE BODY - LIGHT BLUE COVER 8X35*	45	210		OK	203,10
C0835NWLWS	MWG CAB. NEWMAXI LOGIX WHITE BODY - WHITE COVER 8X35*	45	210		OK	203,10
C0935NWLAS	MWG CAB. NEWMAXI LOGIX WHITE BODY - LIGHT BLUE COVER 9X35*	45	210		OK	207,78
C0935NWLWS	MWG CAB. NEWMAXI LOGIX WHITE BODY - WHITE COVER 9X35*	45	210		OK	207,78
C1035NWLAS	MWG CAB. NEWMAXI LOGIX WHITE BODY - LIGHT BLUE COVER 10X35*	45	210		OK	218,58
C1035NWLWS	MWG CAB. NEWMAXI LOGIX WHITE BODY - WHITE COVER 10X35*	45	210		OK	218,58

Ref.	Width (mm)	Length (mm)	Height (mm)
C0735NWLAS	320	500	1140
C0735NWLWS	320	500	1140
C0835NWLAS	320	500	1140
C0835NWLWS	320	500	1140
C0935NWLAS	320	500	1140
C0935NWLWS	320	500	1140
C1035NWLAS	320	500	1140
C1035NWLWS	320	500	1140

Box: WxLxH	Box: Q.ty	Box: Weight	Pallet: WxLxH	Pallet: Q.ty	Pallet: Weight

### Accessories

Ref.	Description	Fam.	Subfam.	Note	Disp. Stock	Price Euro
PA004	MWG BRINE WELL D=100 MM H=820 MM (CAB. 35"MAXI)	45	215		OK	17,10
PA001	MWG CAP FOR BRINE WELL D=100 MM	45	215		OK	0,65

Certificates	Manufacturer	Sectors
	<b>MWG</b>	Domestic





## Cabinets for Softeners Crystal Series

- Tanks and covers made in European Union (Italy);
- Cabinets for residential softeners, complete with salt lid and cover of exclusive design with clear insert;
- With MWG tank;
- Materials: tank and salt lid in HDPE; cover in polystyrene;
- Standard colours: white tank and blue, white or black cover;
- Customized colours for tanks and covers: contact your Area Manager for minimum quantities;
- EU design patent no. 003156272.



Ref	Description	Fam.	Subfam.	Note	Disp. Stock	Price Euro
C0717EWCAS	MWG CAB. MINI CRYSTAL WHITE BODY - LIGHT BLUE COVER 7X17*	45	210		OK	130,64
C0717EWCWS	MWG CAB. MINI CRYSTAL WHITE BODY - WHITE COVER 7X17*	45	210		OK	130,64
C0717EWCDS	MWG CAB. MINI CRYSTAL WHITE BODY - BLACK COVER 7X17*	45	210		OK	130,64
C0817EWCAS	MWG CAB. MINI CRYSTAL WHITE BODY - LIGHT BLUE COVER 8X17*	45	210		OK	134,97
C0817EWCWS	MWG CAB. MINI CRYSTAL WHITE BODY - WHITE COVER 8X17*	45	210		OK	134,97
C0817EWCDS	MWG CAB. MINI CRYSTAL WHITE BODY - BLACK COVER 8X17*	45	210		OK	134,97
C0917EWCAS	MWG CAB. MINI CRYSTAL WHITE BODY - LIGHT BLUE COVER 9X17*	45	210		OK	136,32
C0917EWCWS	MWG CAB. MINI CRYSTAL WHITE BODY - WHITE COVER 9X17*	45	210		OK	136,32
C0917EWCDS	MWG CAB. MINI CRYSTAL WHITE BODY - BLACK COVER 9X17*	45	210		OK	136,32
C1017EWCAS	MWG CAB. MINI CRYSTAL WHITE BODY - LIGHT BLUE COVER 10X17*	45	210		OK	140,75
C1017EWCWS	MWG CAB. MINI CRYSTAL WHITE BODY - WHITE COVER 10X17*	45	210		OK	140,75
C1017EWCDS	MWG CAB. MINI CRYSTAL WHITE BODY - BLACK COVER 10X17*	45	210		OK	140,75

Ref	Width (mm)	Length (mm)	Height (mm)
C0717EWCAS	320	500	670
C0717EWCWS	320	500	670
C0717EWCDS	320	500	670
C0817EWCAS	320	500	670
C0817EWCWS	320	500	670
C0817EWCDS	320	500	670
C0917EWCAS	320	500	670
C0917EWCWS	320	500	670
C0917EWCDS	320	500	670
C1017EWCAS	320	500	670
C1017EWCWS	320	500	670
C1017EWCDS	320	500	670

Box: WxLxH	Box: Q.ty	Box: Weight	Pallet: WxLxH	Pallet: Q.ty	Pallet: Weight

### Accessories

Ref	Description	Fam.	Subfam.	Note	Disp. Stock	Price Euro
PA002	MWG BRINE WELL D=100 MM H=340 MM (CAB. 17")	45	215		OK	11,70
PA001	MWG CAP FOR BRINE WELL D=100 MM	45	215		OK	0,65

Certificates	Manufacturer	Sectors
	<b>MWG</b>	Domestic



## Cabinets for Softeners Crystal Series



Ref	Description	Fam.	Subfam.	Note	Disp. Stock	Price Euro
C0735EWCAS	MWG CAB. MAXI CRYSTAL WHITE BODY - LIGHT BLUE COVER 7X35*	45	210		OK	188,41
C0735EWCWS	MWG CAB. MAXI CRYSTAL WHITE BODY - WHITE COVER 7X35*	45	210		OK	188,41
C0735EWCDS	MWG CAB. MAXI CRYSTAL WHITE BODY - BLACK COVER 7X35*	45	210		OK	188,41
C0835EWCAS	MWG CAB. MAXI CRYSTAL WHITE BODY - LIGHT BLUE COVER 8X35*	45	210		OK	194,05
C0835EWCWS	MWG CAB. MAXI CRYSTAL WHITE BODY - WHITE COVER 8X35*	45	210		OK	194,05
C0835EWCDS	MWG CAB. MAXI CRYSTAL WHITE BODY - BLACK COVER 8X35*	45	210		OK	194,05
C0935EWCAS	MWG CAB. MAXI CRYSTAL WHITE BODY - LIGHT BLUE COVER 9X35*	45	210		OK	198,72
C0935EWCWS	MWG CAB. MAXI CRYSTAL WHITE BODY - WHITE COVER 9X35*	45	210		OK	198,72
C0935EWCDS	MWG CAB. MAXI CRYSTAL WHITE BODY - BLACK COVER 9X35*	45	210		OK	198,72
C1035EWCAS	MWG CAB. MAXI CRYSTAL WHITE BODY - LIGHT BLUE COVER 10X35*	45	210		OK	210,52
C1035EWCWS	MWG CAB. MAXI CRYSTAL WHITE BODY - WHITE COVER 10X35*	45	210		OK	210,52
C1035EWCDS	MWG CAB. MAXI CRYSTAL WHITE BODY - BLACK COVER 10X35*	45	210		OK	210,52

Ref	Width (mm)	Length (mm)	Height (mm)
C0735EWCAS	320	500	1140
C0735EWCWS	320	500	1140
C0735EWCDS	320	500	1140
C0835EWCAS	320	500	1140
C0835EWCWS	320	500	1140
C0835EWCDS	320	500	1140
C0935EWCAS	320	500	1140
C0935EWCWS	320	500	1140
C0935EWCDS	320	500	1140
C1035EWCAS	320	500	1140
C1035EWCWS	320	500	1140
C1035EWCDS	320	500	1140

Box: WxLxH	Box: Q.ty	Box: Weight	Pallet: WxLxH	Pallet: Q.ty	Pallet: Weight

### Accessories

Ref	Description	Fam.	Subfam.	Note	Disp. Stock	Price Euro
PA004	MWG BRINE WELL D=100 MM H=820 MM (CAB. 35"MAXI)	45	215		OK	17,10
PA001	MWG CAP FOR BRINE WELL D=100 MM	45	215		OK	0,65

Certificates	Manufacturer	Sectors
	<b>MWG</b>	Domestic



## Cabinets for Softeners Iceberg Series



- Tanks and covers made in European Union (Italy);
- Cabinets for residential softeners, complete with salt lid and cover of exclusive design;
- Materials: tank and salt lid in HDPE; cover in polystyrene;
- With MWG pressure tank;
- Standard colours: white tank and blue (or white or black) cover with white insert;
- Customized colours for tanks and covers: contact your Area Manager for minimum quantities;
- EU design patent no. 003156272.

Ref	Description	Fam.	Subfam.	Note	Disp. Stock	Price Euro
C0717EWIQS	MWG CAB. MINI ICEBERG WHITE BODY - LIGHT BLUE/WHITE BODY COVER 7X17*	45	210		OK	130,64
C0817EWIQS	MWG CAB. MINI ICEBERG WHITE BODY - LIGHT BLUE/WHITE COVER 8X17*	45	210		OK	134,97
C0917EWIQS	MWG CAB. MINI ICEBERG WHITE BODY - LIGHT BLUE/WHITE COVER 9X17*	45	210		OK	136,32
C1017EWIQS	MWG CAB. MINI ICEBERG WHITE BODY - LIGHT BLUE/WHITE COVER 10X17*	45	210		OK	140,75

Ref	Width (mm)	Length (mm)	Height (mm)
C0717EWIQS	320	500	670
C0817EWIQS	320	500	670
C0917EWIQS	320	500	670
C1017EWIQS	320	500	670

Box: WxLxH	Box: Q.ty	Box: Weight	Pallet: WxLxH	Pallet: Q.ty	Pallet: Weight

Certificates	Manufacturer	Sectors
	<b>MWG</b>	Domestic



Ref	Description	Fam.	Subfam.	Note	Disp. Stock	Price Euro
C0735EWIQS	MWG CAB. MAXI ICEBERG WHITE BODY - LIGHT BLUE/WHITE COVER 7X35*	45	210		OK	188,41
C0835EWIQS	MWG CAB. MAXI ICEBERG WHITE BODY - LIGHT BLUE/WHITE COVER 8X35*	45	210		OK	194,05
C0935EWIQS	MWG CAB. MAXI ICEBERG WHITE BODY - LIGHT BLUE/WHITE COVER 9X35*	45	210		OK	198,72
C1035EWIQS	MWG CAB. MAXI ICEBERG WHITE BODY - LIGHT BLUE/WHITE COVER 10X35*	45	210		OK	210,52

Ref	Width (mm)	Length (mm)	Height (mm)
C0735EWIQS	320	500	1140
C0835EWIQS	320	500	1140
C0935EWIQS	320	500	1140
C1035EWIQS	320	500	1140

Box: WxLxH	Box: Q.ty	Box: Weight	Pallet: WxLxH	Pallet: Q.ty	Pallet: Weight

Certificates	Manufacturer	Sectors
	<b>MWG</b>	Domestic



## Cabinets for Softeners Iceberg Series

### Accessories

Ref	Description	Fam.	Subfam.	Note	Disp. Stock	Price Euro
PA002	MWG BRINE WELL D=100 MM H=340 MM (CAB. 17")	45	215		OK	11,70
PA001	MWG CAP FOR BRINE WELL D=100 MM	45	215		OK	0,65

### Accessories

Ref	Description	Fam.	Subfam.	Note	Disp. Stock	Price Euro
PA004	MWG BRINE WELL D=100 MM H=820 MM (CAB. 35" MAXI)	45	215		OK	17,10
PA001	MWG CAP FOR BRINE WELL D=100 MM	45	215		OK	0,65



## Cabinets for Softeners Joker Series



Cab. JOKER

- Tanks and covers made in European Union (Italy);
- JOKER brine/resin tanks that can be combined in special bi-blocs cabinets;
- Capacity as brine tank 82 liters;
- Suitable to fit 7" - 8" - 9" - 10" x 35" tanks as resin tank;
- Overall dimensions 310 x 310 mm height 900 mm;
- Materials: tank in HDPE; cover in ABS;
- Standard colours: white tank and blue, white or black cover;
- With MWG pressure tank;
- Customized colours for tanks and covers: contact your Area Manager for minimum quantities;
- EU design patent no. 003156272.

Ref	Description	Fam.	Subfam.	Note	Disp. Stock	Price Euro
C0735AWJAX	MWG CAB. JOKER WHITE BODY - LIGHT BLUE COVER 7X35*	45	210		OK	129,45
C0735AWJWX	MWG CAB. JOKER WHITE BODY - WHITE COVER 7X35*	45	210		OK	129,45
C0735AWJDX	MWG CAB. JOKER WHITE BODY - BLACK COVER 7X35*	45	210		OK	129,45
C0835AWJAX	MWG CAB. JOKER WHITE BODY - LIGHT BLUE COVER 8X35*	45	210		OK	136,13
C0835AWJWX	MWG CAB. JOKER WHITE BODY - WHITE COVER 8X35*	45	210		OK	136,13
C0835AWJDX	MWG CAB. JOKER WHITE BODY - BLACK COVER 8X35*	45	210		OK	136,13
C0935AWJAX	MWG CAB. JOKER WHITE BODY - LIGHT BLUE COVER 9X35*	45	210		OK	142,85
C0935AWJWX	MWG CAB. JOKER WHITE BODY - WHITE COVER 9X35*	45	210		OK	142,85
C0935AWJDX	MWG CAB. JOKER WHITE BODY - BLACK COVER 9X35*	45	210		OK	142,85
C1035AWJAX	MWG CAB. JOKER WHITE BODY - LIGHT BLUE COVER 10X35*	45	210		OK	156,73
C1035AWJWX	MWG CAB. JOKER WHITE BODY - WHITE COVER 10X35*	45	210		OK	156,73
C1035AWJDX	MWG CAB. JOKER WHITE BODY - BLACK COVER 10X35*	45	210		OK	156,73

Box: WxLxH	Box: Q.ty	Box: Weight	Pallet: WxLxH	Pallet: Q.ty	Pallet: Weight

## Accessories

Ref	Description	Fam.	Subfam.	Note	Disp. Stock	Price Euro
PA004	MWG BRINE WELL D=100 MM H=820 MM (CAB. 35"MAXI)	45	215		OK	17,10
PA001	MWG CAP FOR BRINE WELL D=100 MM	45	215		OK	0,65

Certificates	Manufacturer	Sectors
	MWG	Domestic



JOKER A

JOKER B

## Joker brine tanks

Ref	Description	Fam.	Subfam.	Note	Disp. Stock	Price Euro
T0082AWAA	MWG BRINE TANK JOKER A WHITE BODY - LIGHT BLUE COVER*	45	220		OK	48,00
T0082AWAW	MWG BRINE TANK JOKER A WHITE BODY - WHITE COVER*	45	220		OK	48,00
T0082AWAD	MWG BRINE TANK JOKER A WHITE BODY - BLACK COVER *	45	220		OK	48,00
T0082BWBA	MWG BRINE TANK JOKER B WHITE BODY - LIGHT BLUE COVER*	45	220		OK	47,50
T0082BWBW	MWG BRINE TANK JOKER B WHITE BODY - WHITE COVER*	45	220		OK	47,50
T0082BWB D	MWG BRINE TANK JOKER B WHITE BODY - BLACK COVER*	45	220		OK	47,50

Box: WxLxH	Box: Q.ty	Box: Weight	Pallet: WxLxH	Pallet: Q.ty	Pallet: Weight

Certificates	Manufacturer	Sectors
	MWG	Domestic



## Cabinets for Softeners New Series



- Tanks and salt lids made in European Union (Italy); - EU design patent no. 003156272;
- Cabinets for residential softeners - Materials: tank in HDPE; salt lid in polystyrene; - Standard colours: tank and salt lid white;
- With MWG pressure tank;
- Customized colours for tanks and covers: contact your Area Manager for minimum quantities;

Ref	Description	Fam.	Subfam.	Note	Price Euro
C0717NWXXS	MWG CAB. NEWMINI WHITE BODY - NO COVER 7X17*	45	210		101,64
C0817NWXXS	MWG CAB. NEWMINI WHITE BODY - NO COVER 8X17*	45	210		104,96
C0917NWXXS	MWG CAB. NEWMINI WHITE BODY - NO COVER 9X17*	45	210		108,33
C1017NWXXS	MWG CAB. NEWMINI WHITE BODY - NO COVER 10X17*	45	210		114,80

Ref	Width (mm)	Length (mm)	Height (mm)
C0717NWXXS	320	500	435
C0817NWXXS	320	500	435
C0917NWXXS	320	500	435
C1017NWXXS	320	500	435

Box: WxLxH	Box: Q.ty	Box: Weight	Pallet: WxLxH	Pallet: Q.ty	Pallet: Weight

### Accessories

Ref	Description	Fam.	Subfam.	Note	Price Euro
PA002	MWG BRINE WELL D=100 MM H=340 MM (CAB. 17")	45	215		11,70
PA001	MWG CAP FOR BRINE WELL D=100 MM	45	215		0,65

Ref	Description	Fam.	Subfam.	Note	Disp. Stock	Price Euro
C0730NWXXS	MWG CAB. NEWMIDI WHITE BODY - NO COVER 7X30*	45	210		OK	149,34
C0830NWXXS	MWG CAB. NEWMIDI WHITE BODY - NO COVER 8X30*	45	210		OK	153,90
C0930NWXXS	MWG CAB. NEWMIDI WHITE BODY - NO COVER 9X30*	45	210		OK	155,48
C1030NWXXS	MWG CAB. NEWMIDI WHITE BODY - NO COVER 10X30*	45	210		OK	158,21

Ref	Width (mm)	Length (mm)	Height (mm)
C0730NWXXS	320	500	775
C0830NWXXS	320	500	775
C0930NWXXS	320	500	775
C1030NWXXS	320	500	775

Box: WxLxH	Box: Q.ty	Box: Weight	Pallet: WxLxH	Pallet: Q.ty	Pallet: Weight

### Accessories

Ref	Description	Fam.	Subfam.	Note	Disp. Stock	Price Euro
PA009	MWG BRINE WELL D=100 MM H=690 MM (CAB. 30" + BRINETANK 140L)	45	230		OK	15,30
PA001	MWG CAP FOR BRINE WELL D=100 MM	45	215		OK	0,65

Certificates	Manufacturer	Sectors
	MWG	Domestic



## Cabinets for Softeners New Series



Ref	Description	Fam.	Subfam.	Note	Disp. Stock	Price Euro
C0735NWXXS	MWG CAB. NEWMAXI WHITE BODY - NO COVER 7X35*	45	210		OK	159,40
C0835NWXXS	MWG CAB. NEWMAXI WHITE BODY - NO COVER 8X35*	45	210		OK	167,07
C0935NWXXS	MWG CAB. NEWMAXI WHITE BODY - NO COVER 9X35*	45	210		OK	173,77
C1035NWXXS	MWG CAB. NEWMAXI WHITE BODY - NO COVER 10X35*	45	210		OK	187,62

Ref	Width (mm)	Length (mm)	Height (mm)
C0735NWXXS	320	500	895
C0835NWXXS	320	500	895
C0935NWXXS	320	500	895
C1035NWXXS	320	500	895

Box: WxLxH	Box: Q.ty	Box: Weight	Pallet: WxLxH	Pallet: Q.ty	Pallet: Weight

### Accessories

Ref	Description	Fam.	Subfam.	Note	Disp. Stock	Price Euro
PA004	MWG BRINE WELL D=100 MM H=820 MM (CAB. 35" MAXI)	45	215		OK	17,10
PA001	MWG CAP FOR BRINE WELL D=100 MM	45	215		OK	0,65

Certificates	Manufacturer	Sectors
	<b>MWG</b>	Domestic



## Cabinets for Softeners “Mini” - “Maxi” Series



- Tanks and salt lids made in European Union (Italy);
- Cabinets for residential softeners;
- Materials: tank in HDPE; salt lid in polystyrene;
- Standard colours: tank and salt lid white;
- With MWG pressure tank;
- Customized colours for tanks and covers: contact your Area Manager for minimum quantities;
- EU design patent no. 003156272.

Ref	Description	Fam.	Subfam.	Note	Disp. Stock	Price Euro
C0717EWXXS	MWG CAB. MINI WHITE BODY - NO COVER 7X17*	45	210		OK	101,64
C0817EWXXS	MWG CAB. MINI WHITE BODY - NO COVER 8X17*	45	210		OK	104,96
C0917EWXXS	MWG CAB. MINI WHITE BODY - NO COVER 9X17*	45	210		OK	108,33
C1017EWXXS	MWG CAB. MINI WHITE BODY - NO COVER 10X17*	45	210		OK	114,80

Ref	Width (mm)	Length (mm)	Height (mm)
C0717EWXXS	320	500	435
C0817EWXXS	320	500	435
C0917EWXXS	320	500	435
C1017EWXXS	320	500	435

Box: WxLxH	Box: Q.ty	Box: Weight	Pallet: WxLxH	Pallet: Q.ty	Pallet: Weight

### Accessories

Ref	Description	Fam.	Subfam.	Note	Disp. Stock	Price Euro
PA002	MWG BRINE WELL D=100 MM H=340 MM (CAB. 17")	45	215		OK	11,70
PA001	MWG CAP FOR BRINE WELL D=100 MM	45	215		OK	0,65

Certificates	Manufacturer	Sectors
	MWG	Domestic





## Cabinets for Softeners "Mini" - "Maxi" Series



Ref	Description	Fam.	Subfam.	Note	Disp. Stock	Price Euro
C0735EWXXS	MWG CAB. MAXI WHITE BODY - NO COVER 7X35*	45	210		OK	159,40
C0835EWXXS	MWG CAB. MAXI WHITE BODY - NO COVER 8X35*	45	210		OK	167,07
C0935EWXXS	MWG CAB. MAXI WHITE BODY - NO COVER 9X35*	45	210		OK	173,77
C1035EWXXS	MWG CAB. MAXI WHITE BODY - NO COVER 10X35*	45	210		OK	187,62

Ref	Width (mm)	Length (mm)	Height (mm)
C0735EWXXS	320	500	895
C0835EWXXS	320	500	895
C0935EWXXS	320	500	895
C1035EWXXS	320	500	895

Box: WxLxH	Box: Q.ty	Box: Weight	Pallet: WxLxH	Pallet: Q.ty	Pallet: Weight

### Accessories

Ref	Description	Fam.	Subfam.	Note	Disp. Stock	Price Euro
PA004	MWG BRINE WELL D=100 MM H=820 MM (CAB. 35"MAXI)	45	215		OK	17,10
PA001	MWG CAP FOR BRINE WELL D=100 MM	45	215		OK	0,65

Certificates	Manufacturer	Sectors
	<b>MWG</b>	Domestic



## Cabinets for Softeners Splash Series

- Cabinets and covers made in European Union (Italy);
- Cabinets for residential softeners, complete with salt lid and cover, both in PP;
- Standard colours: white cabinet and blue cover;
- Separated chamber for brine;
- Partition grid included;
- Easy cleaning and maintenance without disassembling system;
- Detachable salt lid for easy accessibility to brine compartment without automatic valve removal;
- Suitable for all brands of automatic control valves.



Ref.	Description	Fam.	Subfam.	Note	Disp. Stock	Price Euro
C0717WAS	SPLASH 17 DOUBLE CABINET WHITE - LIGHT BLUE COVER7X17*	45	210		OK	140,88
C0817WAS	SPLASH 17 DOUBLE CABINET WHITE - LIGHT BLUE COVER8X17*	45	210		OK	144,95
C0917WAS	SPLASH 17 DOUBLE CABINET WHITE - LIGHT BLUE COVER9X17*	45	210		OK	147,40
C1017WAS	SPLASH 17 DOUBLE CABINET WHITE - LIGHT BLUE COVER10X17*	45	210		OK	152,63

Ref.	Width (mm)	Length (mm)	Height (mm)
C0717WAS	386	570	440
C0817WAS	386	570	440
C0917WAS	386	570	440
C1017WAS	386	570	440

Box: WxLxH	Box: Q.ty	Box: Weight	Pallet: WxLxH	Pallet: Q.ty	Pallet: Weight

### Accessories

Ref.	Description	Fam.	Subfam.	Note	Disp. Stock	Price Euro
C0017PZT	BRINE WELL FOR SPLASH 17 CABINET	45	215		OK	7,08
C0035XWR3	WHITE VALVE COVER FOR CAB. SPLASH	45	215		OK	35,44

Certificates	Manufacturer	Sectors
		Domestic



## Cabinets for Softeners Splash Series



Ref.	Description	Fam.	Subfam.	Note	Disp. Stock	Price Euro
C0735WAS	SPLASH 35 DOUBLE CABINET WHITE - LIGHT BLUE COVER7X35*	45	210		OK	206,07
C0835WAS	SPLASH 35 DOUBLE CABINET WHITE - LIGHT BLUE COVER8X35*	45	210		OK	211,32
C0935WAS	SPLASH 35 DOUBLE CABINET WHITE - LIGHT BLUE COVER9X35*	45	210		OK	217,20
C1035WAS	SPLASH 35 DOUBLE CABINET WHITE - LIGHT BLUE COVER10X35*	45	210		OK	229,94

Ref.	Width (mm)	Length (mm)	Height (mm)
C0735WAS	386	570	900
C0835WAS	386	570	900
C0935WAS	386	570	900
C1035WAS	386	570	900

Box: WxLxH	Box: Q.ty	Box: Weight	Pallet: WxLxH	Pallet: Q.ty	Pallet: Weight

### Accessories

Ref.	Description	Fam.	Subfam.	Note	Disp. Stock	Price Euro
C0035PZT	BRINE WELL FOR SPLASH 35 CABINET	45	215		OK	11,34
C0035XWR3	WHITE VALVE COVER FOR CAB. SPLASH	45	215		OK	35,44



# BRINE TANKS

MWG



[BACK  
TO INDEX](#)



## MWG Residential Square Brine Tank



- Made in European Union (Italy);
- Brine tank material HDPE;
- Complete with cover in ABS;
- Dimensions 380 x 380 mm, height 790 mm;
- Capacity 85 liters;
- Available multiple packaging of 30 pcs per pallet;
- EU design patent no. 003156272;
- Please, don't put salt in the brine tank more than half capacity.

Ref	Description	Fam.	Subfam.	Disp. Stock	Price Euro
T0085QWQA	MWG SQUARE BRINE TANK WHITE BODY - LIGHT BLUE COVER*	45	220	OK	43,00
T0085QWQW	MWG SQUARE BRINE TANK WHITE BODY - WHITE COVER*	45	220	OK	43,00
T0085QWQD	MWG SQUARE BRINE TANK WHITE BODY - BLACK COVER*	45	220	OK	43,00

Ref	Description	Tank colour	Cover colour
T0085QWQA	MWG SQUARE BRINE TANK WHITE BODY - LIGHT BLUE COVER*	White	Blue
T0085QWQW	MWG SQUARE BRINE TANK WHITE BODY - WHITE COVER*	White	White
T0085QWQD	MWG SQUARE BRINE TANK WHITE BODY - BLACK COVER*	White	Black

Box: WxLxH	Box: Q.ty	Box: Weight	Pallet: WxLxH	Pallet: Q.ty	Pallet: Weight

Certificates	Manufacturer	Sectors
	<b>MWG</b>	Domestic



### Accessories: Salt grid

- Made in European Union (Italy);
- Material HDPE;
- Height 200 mm;
- Hole for brine well diameter 100 mm;
- Salt gride holes 3 mm.

Ref	Description	Fam.	Subfam.	Disp. Stock	Price Euro
PC006	MWG SALT GRIDE FOR SQUARE BRINE TANK*	45	230	OK	15,65

Box: WxLxH	Box: Q.ty	Box: Weight	Pallet: WxLxH	Pallet: Q.ty	Pallet: Weight

Certificates	Manufacturer	Sectors
	<b>MWG</b>	Domestic



### Brine well

- Material PVC with cover;
- Diameter 100 mm;
- Height 640 mm.

Ref	Description	Fam.	Subfam.	Disp. Stock	Price Euro
PA008	MWG BRINE WELL D=100 MM H=640 MM (SQUARE BRINE TANK)	45	230	OK	14,34
PA001	MWG CAP FOR BRINE WELL D=100 MM	45	215	OK	0,65

Box: WxLxH	Box: Q.ty	Box: Weight	Pallet: WxLxH	Pallet: Q.ty	Pallet: Weight

Certificates	Manufacturer	Sectors
		Domestic



## Residential Square Brine Tank



- Made in China;
- Brine tank material HDPE;
- Complete with cover in PP, salt grid in PP, brine well in PP, overflow elbow in ABS and brine valve;
- Dimensions 336 x 336 mm, height 820 mm;
- Capacity 65 liters;
- Available multiple packaging of 45 pcs per pallet;
- Please, don't put salt in the brine tank more than half capacity.

Ref	Description	Fam.	Subfam.	Disp. Stock	Price Euro
T0065QWQD	SQUARE BRINE TANK 65 L WHITE BODY - BLACK COVERWITH SALT GRID, BRINE WELL, SBV AND OVERFLOW	45	220	OK	104,33

Ref	Description	Tank colour	Cover colour
T0065QWQD	SQUARE BRINE TANK 65 L WHITE BODY - BLACK COVERWITH SALT GRID, BRINE WELL, SBV AND OVERFLOW	White	Black

Box: WxLxH	Box: Q.ty	Box: Weight	Pallet: WxLxH	Pallet: Q.ty	Pallet: Weight

Certificates	Manufacturer	Sectors
		Domestic



## Residential Square Brine Tank



- Made in European Union (Italy);
- Brine tank material: white HDPE;
- Complete with black cover in HDPE;
- Dimensions 310 x 310 mm, height 440 mm;
- Capacity 35 liters (max salt quantity 20 kg);
- Please, don't put salt in the brine tank more than half capacity.

Ref.	Description	Fam.	Subfam.	Disp. Stock	Price Euro
PC210	WHITE BRINE TANK LT 35 WITH BLACK COVER*	45	220	OK	51,89

Ref.	Description	Tank colour	Cover colour
PC210	WHITE BRINE TANK LT 35 WITH BLACK COVER*	White	Black

Box: WxLxH	Box: Q.ty	Box: Weight	Pallet: WxLxH	Pallet: Q.ty	Pallet: Weight

Certificates	Manufacturer	Sectors
		Domestic



### Brine well

- Material PVC with cover;
- Diameter 100 mm;
- Height 395 mm.

Ref.	Description	Fam.	Subfam.	Disp. Stock	Price Euro
PA017	BRINE WELL D=100 MM H=395 MM (35L BRINE TANK)	45	230	OK	11,20

Box: WxLxH	Box: Q.ty	Box: Weight	Pallet: WxLxH	Pallet: Q.ty	Pallet: Weight

Certificates	Manufacturer	Sectors
		Domestic



## MWG Residential Round Brine Tanks



- Made in European Union (Italy);
- Brine tanks complete with cover;
- Material PE medium density, rotomolded;
- Single or multiple packaging of 24 pcs per pallet for 100 liters, 20 pcs per pallet for 140 liters brine tanks and 16 pcs per pallet for 190 liters brine tanks;
- Colour white opaque UVA ray resistant;
- Cover colours available: white, blue or black;
- EU design patent no. 003156272;
- Please, don't put salt in the brine tank more than half capacity..

Ref.	Description	Fam.	Subfam.	Disp. Stock	Price Euro
T0100CWCW	MWG BRINE TANK LT 100 WHITE BODY - WHITE COVER*	45	221	OK	110,00
T0100CWCA	MWG BRINE TANK LT 100 WHITE BODY - LIGHT BLUE COVER*	45	221	OK	110,00
T0100CWCD	MWG BRINE TANK LT 100 WHITE BODY - BLACK COVER*	45	221	OK	110,00

Ref.	Capacity (liters)	Cover colour	A (mm)	B (mm)	C (mm)
T0100CWCW	100	White	460	616	565
T0100CWCA	100	Light Blue	460	616	565
T0100CWCD	100	Black	460	616	565

Box: WxLxH	Box: Q.ty	Box: Weight	Pallet: WxLxH	Pallet: Q.ty	Pallet: Weight
			105x105x230	24	110

Certificates	Manufacturer	Sectors
	<b>MWG</b>	Domestic, Commercial

Ref	Description	Fam.	Subfam.	Disp. Stock	Price Euro
T0140CWCW	MWG BRINE TANK LT 140 WHITE BODY - WHITE COVER*	45	221	OK	121,00
T0140CWCA	MWG BRINE TANK LT 140 WHITE BODY - LIGHT BLUE COVER*	45	221	OK	121,00
T0140CWCD	MWG BRINE TANK LT 140 WHITE BODY - BLACK COVER*	45	221	OK	121,00

Ref	Capacity (Liters)	Cover colour	A (mm)	B (mm)	C (mm)
T0140CWCW	140	White	460	843	565
T0140CWCA	140	Light Blue	460	843	565
T0140CWCD	140	Black	460	843	565

Box: WxLxH	Box: Q.ty	Box: Weight	Pallet: WxLxH	Pallet: Q.ty	Pallet: Weight
			105x105x225	20	140

Certificates	Manufacturer	Sectors
	<b>MWG</b>	Domestic, Commercial





## MWG Residential Round Brine Tanks



Ref	Description	Fam.	Subfam.	Disp. Stock	Price Euro
T0190CWCW	MWG BRINE TANK LT 190 WHITE BODY - WHITE COVER*	45	222	OK	150,00
T0190CWCA	MWG BRINE TANK LT 190 WHITE BODY - LIGHT BLUE COVER*	45	222	OK	150,00
T0190CWCD	MWG BRINE TANK LT 190 WHITE BODY - BLACK COVER*	45	222	OK	150,00

Ref	Capacity (liters)	Cover color	A (mm)	B (mm)	C (mm)
T0190CWCW	190	White	460	1123	565
T0190CWCA	190	Light Blue	460	1123	565
T0190CWCD	190	Black	460	1123	565

Box: WxLxH	Box: Q.ty	Box: Weight	Pallet: WxLxH	Pallet: Q.ty	Pallet: Weight
			105x105x230	16	130

Certificates	Manufacturer	Sectors
	<b>MWG</b>	Domestic, Commercial



## MWG Residential Round Brine Tanks

### Accessories: Salt grid

- Made in European Union (Italy);
- Material PE medium density;
- Hole for brine well diameter 100 mm;
- Salt gride holes ~ 3 mm.



Ref	Description	Fam.	Subfam.	Disp. Stock	Price Euro
PC031	MWG SALT GRIDE FOR BRINE TANK LT 100-140-190 H=130	45	230	OK	21,45

Ref	Description	Height (mm)	Diameter (mm)
PC031	MWG SALT GRIDE FOR BRINE TANK LT 100-140-190 H=130	130	475

Box: WxLxH	Box: Q.ty	Box: Weight	Pallet: WxLxH	Pallet: Q.ty	Pallet: Weight

Certificates	Manufacturer	Sectors
	<b>MWG</b>	Domestic



Ref	Description	Fam.	Subfam.	Disp. Stock	Price Euro
PC032	MWG SALT GRIDE FOR BRINE TANK LT 100-140-190 H=200 *	45	230	OK	17,10

Ref	Description	Height (mm)	Diameter (mm)
PC032	MWG SALT GRIDE FOR BRINE TANK LT 100-140-190 H=200 *	200	475

Box: WxLxH	Box: Q.ty	Box: Weight	Pallet: WxLxH	Pallet: Q.ty	Pallet: Weight

Certificates	Manufacturer	Sectors
	<b>MWG</b>	Domestic



Ref	Description	Fam.	Subfam.	Disp. Stock	Price Euro
PC033	MWG SALT GRIDE FOR BRINE TANK LT 100-140-190 H=270 *	45	230	OK	22,20

Ref	Description	Height (mm)	Diameter (mm)
PC033	MWG SALT GRIDE FOR BRINE TANK LT 100-140-190 H=270 *	270	475

Box: WxLxH	Box: Q.ty	Box: Weight	Pallet: WxLxH	Pallet: Q.ty	Pallet: Weight

Certificates	Manufacturer	Sectors
	<b>MWG</b>	Domestic



## MWG Residential Round Brine Tanks



### Brine well

- Material PVC with cover;
- Diameter 100 mm

Ref	Description	Fam.	Subfam.	Disp.Stock	Price Euro
PA074	MWG BRINE WELL D=100 MM H=520 MM (CAB. 24" + BRINETANK 100L)	45	215	OK	13,72
PA001	MWG CAP FOR BRINE WELL D=100 MM	45	215	OK	0,65

Ref	Description	Height (mm)	For brine tanks (liters)
PA074	MWG BRINE WELL D=100 MM H=520 MM (CAB. 24" + BRINETANK 100L)	520	100

Certificates	Manufacturer	Sectors
		Domestic

Ref	Description	Fam.	Subfam.	Disp. Stock	Price Euro
PA009	MWG BRINE WELL D=100 MM H=690 MM (CAB. 30" + BRINETANK 140L)	45	230	OK	15,30
PA001	MWG CAP FOR BRINE WELL D=100 MM	45	215	OK	0,65

Ref	Description	Height (mm)	For brine tanks (liters)
PA009	MWG BRINE WELL D=100 MM H=690 MM (CAB. 30" + BRINETANK 140L)	690	140

Certificates	Manufacturer	Sectors
		Domestic

Ref	Description	Fam.	Subfam.	Disp. Stock	Price Euro
PA014	MWG BRINE WELL D=100 MM H=970 MM (BRINE TANK 190L)	45	230	OK	18,32
PA001	MWG CAP FOR BRINE WELL D=100 MM	45	215	OK	0,65

Ref	Description	Height (mm)	For brine tanks (liters)
PA014	MWG BRINE WELL D=100 MM H=970 MM (BRINE TANK 190L)	970	190

Certificates	Manufacturer	Sectors
		Domestic



## MWG Industrial Round Brine Tanks



- Made in European Union (Italy);
  - Brine tanks complete with cover;
  - Material PE medium density, rotomolded;
  - Single or multiple packaging of 6 pcs per pallet for 340 liters and 3 pcs per pallet for 460 liters brine tanks;
  - Colour white opaque UVA ray resistant;
- Cover colours available: white, blue or black;
  - EU design patent no. 003156272;
  - Please, don't put salt in the brine tank more than half capacity.

Ref.	Description	Fam.	Subfam.	Disp. Stock	Price Euro
T0340CWCW	MWG BRINE TANK LT 340 WHITE BODY - WHITE COVER*	45	223	OK	275,39
T0340CWCA	MWG BRINE TANK LT 340 WHITE BODY - LIGHT BLUE COVER*	45	223	OK	275,39
T0340CWCD	MWG BRINE TANK LT 340 WHITE BODY - BLACK COVER*	45	223	OK	275,39

Ref.	Capacity (liters)	Cover color	A (mm)	B (mm)	C (mm)
T0340CWCW	340	White	594	1200	723
T0340CWCA	340	Light Blu	594	1200	723
T0340CWCD	340	Black	594	1200	723

Box: WxLxH	Box: Q.ty	Box: Weight	Pallet: WxLxH	Pallet: Q.ty	Pallet: Weight
			80x80x215	3	40

Certificates	Manufacturer	Sectors
	<b>MWG</b>	Commercial, Industrial

Ref	Description	Fam.	Subfam.	Disp. Stock	Price Euro
T0460CWCW	MWG BRINE TANK LT 460 WHITE BODY - WHITE COVER*	45	223	OK	340,00
T0460CWCA	MWG BRINE TANK LT 460 WHITE BODY - LIGHT BLUE*	45	223	OK	340,00
T0460CWCD	MWG BRINE TANK LT 460 WHITE BODY - BLACK COVER*	45	223	OK	340,00

Ref	Capacity (liters)	Cover color	A (mm)	B (mm)	C (mm)
T0460CWCW	460	White	703	1196	833
T0460CWCA	460	Light Blu	703	1196	833
T0460CWCD	460	Black	703	1196	833

Box: WxLxH	Box: Q.ty	Box: Weight	Pallet: WxLxH	Pallet: Q.ty	Pallet: Weight
			80x80x210	3	55

Certificates	Manufacturer	Sectors
	<b>MWG</b>	Commercial, Industrial



## MWG Industrial Round Brine Tanks



### Accessories: Salt grid

- Made in European Union (Italy);
- Material PE medium density;
- Hole for brine well diameter 160 mm;
- Salt gride holes  $\square = 5$  mm.

Ref	Description	Fam.	Subfam.	Disp. Stock	Price Euro
PC070	MWG SALT GRIDE FOR BRINE TANK 340 L	45	230	OK	129,38
PC071	MWG SALT GRIDE FOR BRINE TANK 460 L	45	230	OK	129,38

Ref	Height (mm)	Diameter (mm)	For brine tanks (liters)
PC070	391	600	340
PC071	419	700	460

Box: WxLxH	Box: Q.ty	Box: Weight	Pallet: WxLxH	Pallet: Q.ty	Pallet: Weight

Certificates	Manufacturer	Sectors
	<b>MWG</b>	Commercial, Industrial



### Brine well

- Material PVC with cover;
- Diameter 160 mm;
- Height 1050 mm.

Ref	Description	Fam.	Subfam.	Disp. Stock	Price Euro
PA016T	MWG BRINE WELL D=160 MM H=1050 MM (IND. BRINE TANK)	45	230	OK	38,40
PA058	MWG CAP FOR BRINE WELL D=160 MM	45	230	OK	1,09

Certificates	Manufacturer	Sectors
		Commercial, Industrial



## MWG Industrial Round Brine Tanks



- Made in European Union (Italy);
- Brine tanks complete with cover;
- Material PE medium density, rotomolded;
- Single or multiple packaging of 3 pcs per pallet;
- Colour white opaque UVA ray resistant;
- Cover colours available: white, blue or black;
- EU design patent no. 003156272;
- Please, don't put salt in the brine tank more than half capacity.

Ref	Description	Fam.	Subfam.	Disp. Stock	Price Euro
T0670CWCW	MWG BRINE TANK LT 670 WHITE BODY - WHITE COVER*	45	224	OK	480,00
T0670CWCA	MWG BRINE TANK LT 670 WHITE BODY - LIGHT BLUE COVER*	45	224	OK	480,00
T0670CWCD	MWG BRINE TANK LT 670 WHITE BODY - BLACK COVER*	45	224	OK	480,00

Ref	Capacity (liters)	Cover color	A (mm)	B (mm)	C (mm)
T0670CWCW	670	White	847	1196	973
T0670CWCA	670	Light Blu	847	1196	973
T0670CWCD	670	Black	847	1196	973

Box: WxLxH	Box: Q.ty	Box: Weight	Pallet: WxLxH	Pallet: Q.ty	Pallet: Weight
			80x80x210	3	70

Certificates	Manufacturer	Sectors
	<b>MWG</b>	Industrial

Ref	Description	Fam.	Subfam.	Disp. Stock	Price Euro
T0920CWCW	MWG BRINE TANK LT 920 WHITE BODY - WHITE COVER*	45	224	OK	610,00
T0920CWCA	MWG BRINE TANK LT 920 WHITE BODY - LIGHT BLUE COVER*	45	224	OK	610,00
T0920CWCD	MWG BRINE TANK LT 920 WHITE BODY - BLACK COVER*	45	224	OK	610,00

Ref	Capacity (liters)	Cover color	A (mm)	B (mm)	C (mm)
T0920CWCW	920	White	997	1206	1123
T0920CWCA	920	Light Blu	997	1206	1123
T0920CWCD	920	Black	997	1206	1123

Box: WxLxH	Box: Q.ty	Box: Weight	Pallet: WxLxH	Pallet: Q.ty	Pallet: Weight
			105x105x235	3	85

Certificates	Manufacturer	Sectors
	<b>MWG</b>	Industrial



## MWG Industrial Round Brine Tanks

### Accessories: Salt grid



- Made in European Union (Italy);
- Material PE medium density;
- Hole for brine well diameter 160 mm;
- Salt gride holes  $\square = 5$  mm.

Ref	Description	Fam.	Subfam.	Disp. Stock	Price Euro
PC072	MWG SALT GRIDE FOR BRINE TANK 670 L	45	230	OK	225,58
PC073	MWG SALT GRIDE FOR BRINE TANK 920 L	45	230	OK	225,58

Ref	Height (mm)	Diameter (mm)	For brine tanks (liters)
PC072	391	835	670
PC073	413	1010	920

Box: WxLxH	Box: Q.ty	Box: Weight	Pallet: WxLxH	Pallet: Q.ty	Pallet: Weight

Certificates	Manufacturer	Sectors
	<b>MWG</b>	Industrial



### Brine well

- Material PVC with cover;
- Diameter 160 mm;
- Height 1050 mm.

Ref	Description	Fam.	Subfam.	Disp. Stock	Price Euro
PA016T	MWG BRINE WELL D=160 MM H=1050 MM (IND. BRINE TANK)	45	230	OK	38,40
PA058	MWG CAP FOR BRINE WELL D=160 MM	45	230	OK	1,09

Certificates	Manufacturer	Sectors
		Industrial

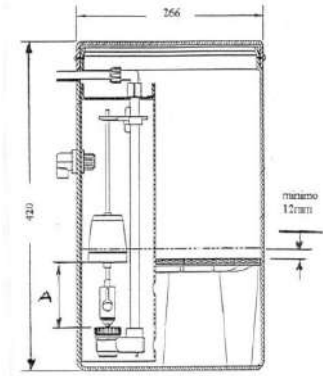


## Potassium Permanganate Feeder

- Feeder for potassium permanganate solution, to realize automatic iron removal systems with manganese greensand;
- Complete with floating valve, well, special grid for permanganate, overflow, safety screw for cover;
- Material: polyethylene;
- Dimensions: diameter 266 mm, height 420 mm;
- Storage KMnO4 capacity: 13,6 kg;
- Connection for 3/8" tubing;
- Colour black.

### Float setting:

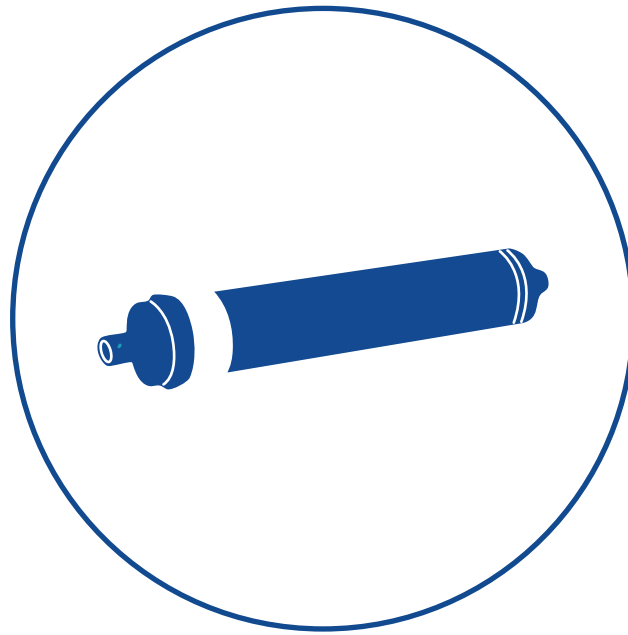
- Suggested dose of regenerant: 2 ÷ 4 g KMnO4 per greensand liter KMnO4 solution: 30 g/l at 10°C 60 g/l at 22°C
- Minimum A floating setting at 108 mm is equivalent to 4 liters of solution.



Ref	Description	Fam.	Subfam.	Disp. Stock	Price Euro
AV120	COMPLETE PERMANGANATE FEEDER FOR 255FA -268FA	10	62	OK	180,25

Certificates	Manufacturer	Sectors
		Domestic





# REVERSE OSMOSIS AND ULTRAFILTRATION MEMBRANES

MWG, LG, Vontron, CSM

  
[BACK  
TO INDEX](#)



## MWG Membranes



Ref.	Description	Fam.	Subfam.	Disp. Stock	Price Euro
MMRO1812-75	MWG 1.8" MEMBRANE RO1812-75	30	151	OK	15,46
MMRO2012-100	MWG 2" MEMBRANE RO2012-100	30	151	OK	20,03
MMRO2012-200	MWG 2" MEMBRANE RO2012-200	30	151	OK	28,99
MMNF2012R	MWG 2" MEMBRANE NF-2012R	30	151	OK	23,17
MMRO3012-300	MWG 3" MEMBRANE RO3012-300	30	156	OK	58,27
MMRO3012-400	MWG 3" MEMBRANE RO3012-400	30	156	OK	61,12
MMRO3013-400	MWG 3" MEMBRANE RO3013-400	30	156	OK	61,12
MMXLP2521	MWG 2.5" MEMBRANE XLP-2521	30	161	OK	165,24
MMXLP2540	MWG 2.5" MEMBRANE XLP-2540	30	161	OK	190,89
MMXLP4040	MWG 4" MEMBRANE XLP-4040	30	162	OK	236,80
MMXLP8040HF	MWG 8" MEMBRANE XLP-8040HF	35	163	OK	1104,70
MMULP2521	MWG 2.5" MEMBRANE ULP-2521	30	161	OK	165,24
MMULP4021	MWG 4" MEMBRANE ULP-4021	30	162	OK	191,86
MMULP4040	MWG 4" MEMBRANE ULP-4040	30	162	OK	243,45
MMULP4040MR2	MWG 4" MEMBRANE ULP4040MR2	30	162	OK	239,83
MMULP8040HF	MWG 8" MEMBRANE ULP-8040HF	35	163	OK	1026,28
MMULP8040MR2	MWG 8" MEMBRANE ULP-8040MR-2	35	163	OK	1080,29
MMBW2521	MWG 2.5" MEMBRANE BW-2521	30	161	OK	164,84
MMBW4040	MWG 4" MEMBRANE BW-4040	30	162	OK	280,90
MMBW8040	MWG 8" MEMBRANE BW-8040	35	163	OK	1096,50
MMBW8040-2	MWG 8" MEMBRANE BW-8040-2	35	163	OK	1104,70
MMBW8040FR	MWG 8" MEMBRANE BW-8040FR	35	163	NO	1196,92
MMBW8040XLFR	MWG 8" MEMBRANE BW8040XLFR	35	163	OK	1160,38
MMES8040UFR	MWG 8" MEMBRANE ES8040UFR	35	163	OK	1021,85
MMSW2521	MWG 2.5" MEMBRANE SW-2521	30	161	OK	270,62
MMSW2540	MWG 2.5" MEMBRANE SW-2540	30	161	OK	310,48
MMSW4021	MWG 4" MEMBRANE SW-4021	30	162	OK	307,05
MMSW4040MR	MWG 4" MEMBRANE SW-4040MR	30	162	OK	461,05
MMSW8040HR	MWG 8" MEMBRANE SW-8040HR	35	163	OK	1480,38



## MWG Membranes

Ref.	Mod.	Permeate flow rate GPD (m <sup>3</sup> /d)	Rejection NaCl (%)	Effective area m2 (ft2)	Spacer (mil)	Test	NSF
MMRO1812-75	TW RO	75 (0,28)	98,0	0,37 (4)	X	1	58
MMRO2012-100	TW RO	100 (0,38)	98,0	0,56 (6)	X	1	58
MMRO2012-200	TW RO	200 (0,76)	97,0	0,75 (8)	X	9	58
MMNF2012R	TW RO	150 (0,57)	85,0	0,59 (6)	X	2	X
MMRO3012-300	TW RO	300 (1,14)	98,0	1,3 (14)	X	1	58
MMRO3012-400	TW RO	400 (1,52)	98,0	1,3 (14)	X	1	58
MMRO3013-400	TW RO	400 (1,52)	98,0	1,5 (16,5)	X	1	X
MMXLP2521	XLP	400 (1,5)	99,2	1,3 (14)	28	3	61
MMXLP2540	XLP	600 (2,27)	99,2	2,5 (27)	28	3	61
MMXLP4040	XLP	2.600 (9,8)	99,2	7,9 (85)	28	4	61
MMXLP8040HF	XLP	13.000 (49,2)	99,0	40,9 (440)	28	4	61
MMULP2521	LP	400 (1,52)	99,2	1,3 (14)	28	5	61
MMULP4021	LP	950 (3,6)	99,3	3,4 (36)	28	5	61
MMULP4040	LP	2.700 (10,2)	99,5	9,3 (100)	28	5	61
MMULP4040MR2	LP	2.700 (10,2)	99,5	9,3 (100)	28	5	X
MMULP8040HF	LP	12.500 (47,3)	99,5	40,9 (440)	28	5	61
MMULP8040MR2	LP	10.500 (39,7)	99,6	40,9 (440)	28	5	61
MMBW2521	BW	400 (1,52)	99,5	1,3 (14)	28	6	61
MMBW4040	BW	2.400 (9,1)	99,6	7,9 (85)	28	6	61
MMBW8040	BW	10.500 (39,7)	99,6	37,2 (400)	28	6	61
MMBW8040-2	BW	10.500 (39,7)	99,7	37,2 (400)	28	6	61
MMBW8040FR	FR	9.500 (35,9)	99,7	34 (365)	34	6	61
MMBW8040XLFR	FR	11.500 (43,5)	99,75	37,2 (400)	34	6	X
MMES8040UFR	FR	10.500 (39,7)	99,6	37,2 (400)	34	10	X
MMSW2521	SW	250 (0,9)	99,7	1,3 (14)	28	7	61
MMSW2540	SW	500 (1,9)	99,7	2,5 (27)	28	7	61
MMSW4021	SW	700 (2,6)	99,7	3,4 (36)	28	7	61
MMSW4040MR	SW	1.800 (6,8)	99,7	7,9 (85)	28	7	61
MMSW8040HR	SW	6.500 (24,6)	99,8	37,2 (400)	28	7	61



## MWG Membranes

Test condition	Pressure (psi)	Temperature of solution NaCl (°C)	Concentration of NaCl solution (ppm)	Concentration of MgSO4 solution (ppm)	pH	Recovery rate (%)
1	60	25	250	-	7,5-8,0	15
2	60	25	250	250	7,5-8,0	15
3	100	25	500	-	7,5-8,0	8
4	100	25	500	-	7,5-8,0	15
5	150	25	1500	-	7,5-8,0	15
6	225	25	2000	-	7,5-8,0	15
7	800	25	32000	-	7,5-8,0	8
8	70	25	500	2000	7,5-8,0	15
9	80	25	250	-	7,5-8,0	15
10	150	25	2000	-	7,5-8,0	15

**TW RO:** Residential RO - **XLP:** Extra Low Pressure - **BW:** Brackish Water - **NF:** Nano Filtration - **TW NF:** Industrial NF - **LP:** Low Pressure - **FR:** Fouling Resistant - **SW:** Sea Water

Certificates	Manufacturer	Sectors
DM174-2004	<b>MWG</b>	Domestic, Commercial, Industrial



## LG Membranes



Ref.	Description	Fam.	Subfam.	Disp. Stock	Price Euro
MLBW2521ES	2,5" LG MEMBRANE BW 2521 ES	30	153	OK	234,65
MLBW2540ES	2,5" LG MEMBRANE BW 2540 ES	30	153	OK	275,33
MLBW4021ES	4" LG MEMBRANE BW 4021 ES	30	154	OK	336,35
MLBW4040ES	4" LG MEMBRANE BW 4040 ES	30	154	OK	374,69
MLBW8-400ESL	8" LG MEMBRANE BW 400 ESL	30	168	OK	1396,50
MLBW8-440ESL	8" LG MEMBRANE BW 440 ESL	30	168	OK	1434,50
MLBW2521R	2,5" LG MEMBRANE BW 2521 R	30	153	OK	234,65
MLBW2540R	2,5" LG MEMBRANE BW 2540 R	30	153	OK	275,33
MLBW4021R	4" LG MEMBRANE BW 4021 R	30	154	OK	336,35
MLBW4040R	4" LG MEMBRANE BW 4040 R	30	154	OK	374,69
MLBW8-400RG2	8" LG MEMBRANE BW 400 R G2	30	168	OK	1453,50
MLBW8-440RG2	8" LG MEMBRANE BW 440 R G2	30	168	OK	1491,50
MLBW8-440RDURA	8" LG MEMBRANE BW 440 R DURA	35	168	OK	1434,50
MLBW2521UES	2,5" LG MEMBRANE BW 2521 UES	30	153	OK	234,65
MLBW2540UES	2,5" LG MEMBRANE BW 2540 UES	30	153	OK	275,33
MLBW4021UES	4" LG MEMBRANE BW 4021 UES	30	154	OK	336,35
MLBW4040UES	4" LG MEMBRANE BW 4040 UES	30	154	OK	374,69
MLLP8-MOST	8" LG MEMBRANE MOST	30	168	OK	1453,50
MLLP8-MOST+	8" LG MEMBRANE MOST+	30	168	OK	1491,50
MLBW8-400RDURA	8" LG MEMBRANE BW 400 R DURA	35	168	OK	1396,50
MLBW8-400AFRG2	8" LG MEMBRANE BW 400 AFR G2	30	168	OK	1491,50
MLSW4040R	4" LG MEMBRANE SW 4040 R	30	154	OK	686,63
MLSW8-400ES	8" LG MEMBRANE SW 400 ES	30	168	OK	1567,50
MLSW8-440ES	8" LG MEMBRANE SW 440 ES	30	168	OK	1605,50
MLSW8-400R	8" LG MEMBRANE SW 400 R	35	168	OK	1567,50
MLSW8-440R	8" LG MEMBRANE SW 440 R	35	168	OK	1605,50



## LG Membranes

Ref.	Mod.	Permeate flow rate GPD (m <sup>3</sup> /d)	Rejection NaCl rate (%)	Effective area m2 (ft2)	Spacer (mil)	Test	NSF
MLBW2521ES	BW	345 (1,3)	99,5	0,9 (9)	28	5	61
MLBW2540ES	BW	750 (2,8)	99,5	2,0 (22)	28	5	61
MLBW4021ES	BW	1000 (3,8)	99,5	3,2 (34)	28	5	61
MLBW4040ES	BW	2500 (9,5)	99,5	7,9 (85)	28	5	61
MLBW8-400ESL	BW	10500 (39,7)	99,5	37 (400)	34	5	61
MLBW8-440ESL	BW	11500 (43,5)	99,6	41 (440)	28	5	61
MLBW2521R	BW	345 (1,3)	99,6	0,9 (9)	28	1	61
MLBW2540R	BW	750 (2,8)	99,6	2,0 (22)	28	1	61
MLBW4021R	BW	1000 (3,8)	99,6	3,2 (34)	28	1	61
MLBW4040R	BW	2500 (9,5)	99,6	7,9 (85)	28	1	61
MLBW8-400RG2	BW	11500 (43,5)	99,8	7,9 (85)	34 low dP	1	61
MLBW8-440RG2	BW	12650 (47,9)	99,8	41 (440)	28	1	61
MLBW8-440RDURA	BW	12100 (45,8)	99,7	41 (440)	28	1	61
MLBW2521UES	LP	345 (1,3)	99,0	0,9 (9)	28	3	61
MLBW2540UES	LP	800 (3,0)	99,0	2,0 (22)	28	3	61
MLBW4021UES	LP	1000 (3,8)	99,0	3,2 (34)	28	3	61
MLBW4040UES	LP	2700 (10,2)	99,0	7,9 (85)	28	3	61
MLLP8-MOST	LP	13200 (49,2)	99,1	7,9 (85)	34 low dP	3	61
MLLP8-MOST+	LP	14300 (54,1)	99,1	7,9 (85)	28 low dP	3	61
MLBW8-400RDURA	FR	11000 (41,6)	99,7	37 (400)	34 low dP	1	61
MLBW8-400AFRG2	FR	11500 (43,5)	99,7	37 (400)	34 low dP	1	61
MLSW4040R	SW	1950 (7,4)	99,7	7,4 (80)	28	4	61
MLSW8-400ES	SW	13700 (51,9)	99,6	37 (400)	34 low dP	4	61
MLSW8-440ES	SW	15070 (57,0)	99,8	41 (440)	28 low dP	4	61
MLSW8-400R	SW	9000 (34,1)	99,85	37 (400)	34	4	61
MLSW8-440R	SW	9900 (37,5)	99,85	41 (440)	28	4	61



## LG Membranes

Test Condition	Pressure (psi)	Temperature of solution NaCl (°C)	Concentration of NaCl Solution (ppm)	Concentration of MgSO4 solution (ppm)	pH	Recovery rate (%)
1	225	25	2000	-	7	15 (8% for type 2521 and 4021)
2	150	25	1500	-	7	15
3	100	25	500	-	7	15 (8% for type 2521 and 4021)
4	800	25	32000	-	7	8
5	150	25	2000	-	7	15 (8% for type 2521 and 4021)
11	100	25	2000	MgSO4 2000	7,5	15

BW: Brackish Water - LP: Low Pressure - SW: Sea Water - FR: Fouling Resistant

Certificates	Manufacturer	Sectors
NSF61	LG	Commercial, Industrial



## Vontron Membranes



Ref	Description	Fam.	Subfam.	Disp. Stock	Price Euro
MVULP1812-50	VONTRON 1.8" MEMBRANE ULP1812-50	30	152	OK	14,85
MVULP1812-75	VONTRON 1.8" MEMBRANE ULP1812-75	30	152	OK	16,78
MVULP2012-100	VONTRON 2" MEMBRANE ULP2012-100	30	152	OK	20,65
MVULP2012-200	VONTRON 2" MEMBRANE ULP2012-200	30	152	OK	41,02
MVULP3012	VONTRON 3" MEMBRANE ULP3012-300	30	157	OK	54,28
MVULP3013-1000	VONTRON 3" MEMBRANE ULP3013-1000	30	157	OK	115,70
MVXLP11-4040	VONTRON 4" MEMBRANE XLP11-4040	30	166	OK	258,78
MVULP21-2521	VONTRON 2.5" MEMBRANE ULP21-2521	30	159	OK	156,97
MVULP21-2540	VONTRON 2.5" MEMBRANE ULP21-2540	30	159	OK	175,90
MVULP21-4021	VONTRON 4" MEMBRANE ULP21-4021	30	166	OK	171,59
MVULP21-4040	VONTRON 4" MEMBRANE ULP21-4040	30	166	OK	258,78
MVULP31-4040	VONTRON 4" MEMBRANE ULP31-4040	30	166	OK	258,78
MVULP22-8040	VONTRON 8" MEMBRANE ULP22-8040	35	167	OK	1040,97
MVULP32-8040	VONTRON 8" MEMBRANE ULP32-8040	35	167	OK	1040,97
MVLP21-4040	VONTRON 4" MEMBRANE LP21-4040	30	166	OK	258,78
MVLP22-8040	VONTRON 8" MEMBRANE LP22-8040	35	167	OK	1054,49
MVSW11-4021	VONTRON 4" MEMBRANE SW11-4021	30	166	OK	391,34
MVSW11-2540	VONTRON 2.5" MEMBRANE SW11-2540	30	159	NO	401,36
MVSW8040LE-440	VONTRON 8" MEMBRANE SW8040LE-440	30	167	NO	1391,64
MVSW8040XLE-440	VONTRON 8" MEMBRANE SW8040XLE-440	30	167	NO	1391,64

Ref	Mod.	Permeate flow rate GPD (m³/d)	Rejection NaCl rate (%)	Effective area m2 (ft2)	Spacer (mil)	Test	NSF
MVULP1812-50	TW RO	50 (0,19)	99,0	X X	X	1	58
MVULP1812-75	TW RO	75 (0,28)	98,0	X X	X	1	58
MVULP2012-100	TW RO	100 (0,38)	99,0	X X	X	1	58
MVULP2012-200	TW RO	200 (0,76)	92,0	X X	X	12	58
MVULP3012	TW RO	300 (1,14)	98,5	X X	X	3	58
MVULP3013-1000	TW RO	1000 (3,8)	90,0	X X	X	12	X
MVXLP11-4040	XLP RO	2.600 (9,8)	98,2	9,3 (100)	28	3	61
MVULP21-2521	LP	300 (1,1)	99,0	1,3 (14)	28	4	61
MVULP21-2540	LP	750 (2,84)	99,0	2,8 (30)	28	4	61
MVULP21-4021	LP	950 (3,6)	99,0	3,3 (36)	28	4	61
MVULP21-4040	LP	2.600 (9,8)	99,5	9,3 (100)	28	5	61
MVULP31-4040	LP	2.000 (7,6)	99,6	9,3 (100)	28	5	61
MVULP22-8040	LP	12.100 (45,7)	99,0	37,2 (400)	28	5	61
MVULP32-8040	LP	10.500 (39,7)	99,5	37,2 (400)	28	5	61
MVLP21-4040	LP	2.800 (10,6)	99,6	9,3 (100)	28	7	61
MVLP22-8040	LP	10.500 (39,7)	99,7	37,2 (400)	28	7	61
MVSW11-4021	SW	750 (2,8)	99,5	3,1 (33)	28	9	61
MVSW11-2540	SW	600 (2,3)	99,5	2,6 (28)	28	10	61
MVSW8040LE-440	SW	9500 (35,9)	99,8	40,9 (440)	28	10	61
MVSW8040XLE-440	SW	12.100 (45,8)	99,7	40,9 (440)	28	10	61





## Vontron Membranes

Test Condition	Pressure (psi)	Temperature of solution NaCl (°C)	Concentration of NaCl Solution (ppm)	Concentration of MgSO4 solution (ppm)	pH	Recovery rate (%)
1	60	25	250	-	6,5-8,5	15
2	60	25	250	CaCl2 250	6,5-8,5	15
3	100	25	500	-	7,5	15
4	150	25	1500	-	7,5	8
5	150	25	1500	-	7,5	15
6	150	25	500	-	7,5	15
7	225	25	2000	-	7,5	15
8	150	25	2000	-	7,5	15
9	800	25	32000	-	7,5	4
10	800	25	32000	-	7,5	8
11	100	25	2000	MgSO4 2000	7,5	15
12	100	25	50	-	7,5	50

**TW RO:** Residential RO - **XLP RO:** Extra Low Pressure - **BW:** Brackish Water - **SW:** Sea Water - **TW NF:** Industrial NF - **LP:** Low Pressure - **FR:** Sea Water - **NF:** Nano Filtration

Certificates	Manufacturer	Sectors
DM174-2004	Vontron	Domestic, Commercial, Industrial



## CSM Membranes



Ref.	Description	Fam.	Subfam.	Disp. Stock	Price Euro
MCRE1812-HR+	CSM 1.8" MEMBRANE RE1812-HR+	30	150	NO	41,09
MCRE2012-150	CSM 2" MEMBRANE RE2012-150	30	150	OK	55,33
MCRE2012-400	CSM 2" MEMBRANE RE2012-400	30	150	OK	100,89
MCRE2012-LP	CSM 2" MEMBRANE RE2012-LP	30	150	OK	53,55
MCRE2012-LPF	CSM 2" MEMBRANE RE2012-LPF	30	150	OK	57,82
MCRE2812-300	CSM 2.8" MEMBRANE RE2812-300	30	155	OK	130,84
MCRE3012-500	CSM 3" MEMBRANE RE3012-500	30	165	OK	156,47
MCRE3512-600	CSM 3.5" MEMBRANE RE3512-600	30	155	OK	164,66
MCRE2540-BLN	CSM 2.5" MEMBRANE RE2540-BLN	30	160	OK	266,67
MCRE2540-BLF	CSM 2.5" MEMBRANE RE2540-BLF	30	160	OK	274,85
MCRE2540-BLR	CSM 2.5" MEMBRANE RE2540-BLR	30	160	OK	274,85
MCRE4021-BLN	CSM 4" MEMBRANE RE4021-BLN	30	165	OK	287,31
MCRE4021-BLF	CSM 4" MEMBRANE RE4021-BLF	30	165	OK	287,31
MCRE4040-BLN	CSM 4" MEMBRANE RE4040-BLN	30	165	OK	401,78
MCRE4040-BLF	CSM 4" MEMBRANE RE4040-BLF	30	165	OK	401,78

Ref.	Mod.	Permeate flow rate GPD (m <sup>3</sup> /d)	Rejection NaCl (%)	Effective area m <sup>2</sup> (ft <sup>2</sup> )	Spacer (mil)	Test	NSF
MCRE1812-HR+	TW RO	80 (0,30)	99		X	6	58
MCRE2012-150	TW RO	150 (0,57)	98	0,59 (6,4)	X	6	58
MCRE2012-400	TW RO	400 (1,52)	96		X	6	58
MCRE2012-LP	TW RO	50 (0,19)	93		X	7	58
MCRE2012-LPF	TW RO	60 (0,22)	93		X	7	58
MCRE2812-300	TW RO	350 (1,32)	97		X	6	61
MCRE3012-500	TW RO	500 (1,90)	97		X	10	X
MCRE3512-600	TW RO	600 (2,27)	95		X	9	X
MCRE2540-BLN	LP	930 (3,50)	99,2	2,5 (27)	X	2	X
MCRE2540-BLF	LP	930 (3,50)	99,2	2,5 (27)	X	3	X
MCRE2540-BLR	LP	740 (2,80)	99,4	2,5 (27)	X	2	X
MCRE4021-BLN	LP	1200 (4,50)	99,2	3,3 (35)	X	2	X
MCRE4021-BLF	LP	1200 (4,50)	99,2	3,3 (35)	X	3	61
MCRE4040-BLN	LP	2600 (9,80)	99,4	7,9 (85)	X	2	61
MCRE4040-BLF	LP	2500 (9,50)	99,2	7,9 (85)	X	3	61



## CSM Membranes

Ref	Description	Fam.	Subfam.	Disp. Stock	Price Euro
MCRE4040-BLR	CSM 4" MEMBRANE RE4040-BLR	30	165	OK	401,78
MCRE8040-BLN	CSM 8" MEMBRANE RE8040-BLN	35	190	OK	1333,77
MCRE8040-BLN440	CSM 8" MEMBRANE RE8040-BLN440	35	190	OK	1390,72
MCRE8040-BLR	CSM 8" MEMBRANE RE8040-BLR	35	190	OK	1348,00
MCRE8040-BLR440	CSM 8" MEMBRANE RE8040-BLR440	35	190	OK	1390,72
MCRE8040-BLF	CSM 8" MEMBRANE RE8040-BLF	35	190	OK	1348,00
MCRE8040-BLF440	CSM 8" MEMBRANE RE8040-BLF440	35	190	OK	1390,72
MCRE2540-BE	CSM 2.5" MEMBRANE RE2540-BE	30	160	OK	283,04
MCRE4021-BE	CSM 4" MEMBRANE RE4021-BE	30	165	OK	274,85
MCRE4040-BE	CSM 4" MEMBRANE RE4040-BE	30	165	OK	401,78
MCRE8040-BE440	CSM 8" MEMBRANE RE8040-BE440	35	190	OK	1369,36
MCRE8040-BE34	CSM 8" MEMBRANE RE8040-BE34	35	190	OK	1283,93
MCRE2540-FEn	CSM 2.5" MEMBRANE RE2540-FEn	30	160	NO	274,85
MCRE4040-FEn	CSM 4" MEMBRANE RE4040-FEn	30	165	OK	448,05
MCRE8040-FEn34	CSM 8" MEMBRANE RE8040-FEn34	35	190	OK	1326,65
MCRE8040-FEn	CSM 8" MEMBRANE RE8040-FEn	35	190	NO	1275,93

Ref	Mod.	Permeate flow rate GPD (m <sup>3</sup> /d)	Rejection NaCl (%)	Effective area m <sup>2</sup> (ft <sup>2</sup> )	Spacer (mil)	Test	NSF
MCRE4040-BLR	LP	2100 (7,90)	99,6	7,9 (85)	X	2	61
MCRE8040-BLN	LP	12000 (45,40)	99,5	37,2 (400)	X	2	61
MCRE8040-BLN440	LP	13000 (49,20)	99,5	40,9 (440)	X	2	61
MCRE8040-BLR	LP	10000 (37,90)	99,6	37,2 (400)	X	2	61
MCRE8040-BLR440	LP	11000 (41,60)	99,6	40,9 (440)	X	2	61
MCRE8040-BLF	LP	11500 (43,50)	99,2	37,2 (400)	X	3	61
MCRE8040-BLF440	LP	12650 (47,90)	99,2	40,9 (440)	X	3	X
MCRE2540-BE	BW	1000 (3,80)	99,5	2,5 (27)	X	1	61
MCRE4021-BE	BW	1200 (4,50)	99,5	3,3 (35)	X	1	X
MCRE4040-BE	BW	2400 (9,10)	99,7	7,9 (85)	X	1	61
MCRE8040-BE440	BW	12000 (45,40)	99,7	40,9 (440)	X	1	61
MCRE8040-BE34	BW	11000 (41,60)	99,7	37,2 (400)	34	1	61
MCRE2540-FEn	FR	1000 (3,80)	99,5	2,5 (27)	X	1	X
MCRE4040-FEn	FR	2400 (9,10)	99,7	7,9 (85)	X	1	X
MCRE8040-FEn34	FR	11000 (41,60)	99,7	37,2 (400)	34	1	61
MCRE8040-FEn	FR	11000 (41,60)	99,7	37,2 (400)	X	1	61



## CSM Membranes

Ref	Description	Fam.	Subfam.	Disp. Stock	Price Euro
MCRE2540-FHF	CSM 2.5" MEMBRANE RE2540-FHF	30	160	OK	357,43
MCNE2540-90	CSM 2.5" MEMBRANE NE2540-90	30	160	OK	402,99
MCNE4040-90	CSM 4" MEMBRANE NE4040-90	30	165	OK	579,76

Ref	Mod.	Permeate flow rate GPD (m <sup>3</sup> /d)	Rejection NaCl (%)	Effective area m <sup>2</sup> (ft <sup>2</sup> )	Spacer (mil)	Test	NSF
MCRE2540-FHF	SW	1200 (4,60)	99,4	2,5 (27)	X	4	X
MCNE2540-90	NF	540 (2,00)	90-97	2,5 (27)	X	5	X
MCNE4040-90	NF	1700 (6,40)	90-97	7,9 (85)	X	5	61

Test condition	Pressure (psi)	Temperature of solution NaCl (°C)	Concentration of NaCl solution (ppm)	Concentration of MgSO <sub>4</sub> solution (ppm)	pH	Recovery rate (%)
1	225	25	2000	-	6,5-7,0	8 ± 15%
2	150	25	1500	-	6,5-7,0	8 ± 15%
3	100	25	500	-	6,5-7,0	8 ± 15%
4	800	25	32000	-	6,5-7,0	4 ± 8%
5	75	25	2000	500	6,5-7,0	15%
6	60	25	200	-	6,5-7,0	15%
7	20	25	100	-	6,5-7,0	15%
8	60	25	250	-	6,5-7,0	15%
9	60	25	200	-	6,5-7,0	30%
10	80	25	200	-	6,5-7,0	40%
11	150	25	2000	-	6,5-7,0	15%

**TW RO:** Residential RO - **LP:** Low Pressure - **BW:** Brackish Water - **SW:** Sea Water - **TW NF:** Industrial NF - **FR:** Fouling Resistant  
- **CR:** Chlorine Resistant - **NF:** Nano Filtration **Produttore:** CSM

Certificates	Manufacturer	Sectors
DM174-2004	CSM	Domestic, Commercial, Industrial



## CSM Membranes Brine Seal and Interconnector

- Each membrane element supplied with one brine seal and one interconnector (excepted for 2,5" membrane element, supplied without interconnector).

Ref	Description	Fam.	Subfam.	Disp. Stock	Price Euro
DC005	EPDM BRINE SEAL 2.5" CSM	30	160	OK	3,92
DD003	EPDM BRINE SEAL 4" CSM	30	165	OK	5,35
EA798	EPDM BRINE SEAL 8" CSM	35	190	OK	11,36

Ref	Description	Material	For Membranes
DC005	EPDM BRINE SEAL 2.5" CSM	EPDM	2,5"
DD003	EPDM BRINE SEAL 4" CSM	EPDM	4"
EA798	EPDM BRINE SEAL 8" CSM	EPDM	8"

Certificates	Manufacturer	Sectors
DM174-2004		Domestic, Industrial

Ref	Description	Fam.	Subfam.	Disp. Stock	Price Euro
DD004	ABS FEMALE INTERCONNECTOR CSM 2.5" & 4" WITH O-RING - WHITE COLOR	30	165	OK	16,39
EA799	ABS MALE INTERCONNECTOR 1.125" CSM WITH O-RING -BW TYPE BLACK COLOR	35	190	OK	28,23

Ref	Material	Color	For Membranes
DD004	ABS	White	2,5" - 4"
EA799	ABS	Black	8"

Certificates	Manufacturer	Sectors
DM174-2004		Domestic, Industrial



## Antiscaling for R. O. Membranes Permascale Eut 110



- PERMASCALE EUT110 is a product that prevents scales and iron sediment on R.O. membranes systems;
- For industrial systems and for potable water treatment systems;
- Very effective on various kinds of water, minimize the fouling and reduce the frequency of membranes cleaning;
- Particularly suitable for big plants with permeate flows higher than 100 m3/day;
- Compatible with all kinds of membranes;
- Replace totally or partially the acidification;
- Easy to use due to the liquid form.

### Use

- Injection by dosing pump of pure or diluted product.
- The dosage is according to the concentration of scaling salts and iron, and can vary from 2 to 10 cm3/m3 of feed water

### Instructions and Packaging

- Handling: following safety data sheet. Take the normal precautions to handle chemical products.
- Packaging: 20 kg drum.
- Storage: closed on the original packaging, sheltered from cold and heat.

Characteristics:	
Formulation	special phosphonated
pH	7,8 ± 0,5
Appearance	light yellow liquid
Density a 20°C	1,30 ± 0,05 g/ml
Checking	phosphonated value
Solubility in water	complete

Ref	Description	Fam.	Subfam.	Disp. Stock	Price Euro/Kg
EA100	MWG PERMASCALE EUT 110 - DRUM 20 KG	35	191	OK	13,78

Certificates	Manufacturer	Sectors
	<b>MWG</b>	Commercial, Industrial



## Antiscaling for R.O. Membranes Permascale EUT 120



- PERMASCALE EUT120 is a product that prevents scales and iron sediment on R.O. membranes systems;
- Very effective on various kinds of water, minimize the fouling and reduce the frequency of membranes cleaning;
- Particularly suitable for plants with permeate flows lower than 100 m3/day;
- Compatible with all kinds of membranes;
- Replace totally or partially the acidification;
- Easy to use due to the liquid form.

### Use

- Injection by dosing pump of pure or diluted product:
- The dosage is according to the concentration of scaling salts and iron, and can vary from 3 to 13 cm3/m3 of feed water.

### Instructions and packaging

- Handling: following safety data sheet. Take the normal precautions to handle chemical products.
- Packaging: 20 kg drum.
- Storage: closed on the original packaging, sheltered from cold and heat.

Characteristics	
Formulation	special phosphonated
pH	7,5 ± 0,5
Appearance	light yellow liquid
Density a 20°C	1,30 ± 0,02 g/ml
Checking	phosphonated value
Solubility in water	complete

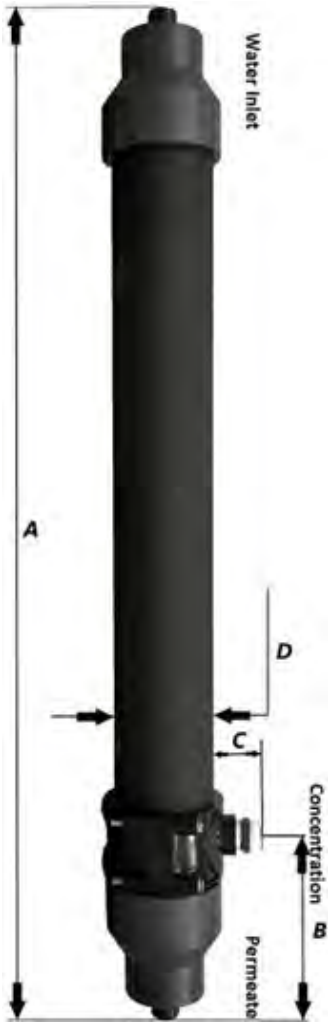
Ref	Description	Fam.	Subfam.	Disp. Stock	Price Euro/Kg
EA101	MWG PERMASCALE EUT 120 - DRUM 20 KG	35	191	OK	12,24

Box: WxLxH	Box: Q.ty	Box: Weight	Pallet: WxLxH	Pallet: Q.ty	Pallet: Weight

Certificates	Manufacturer	Sectors
	<b>MWG</b>	Commercial, Industrial



## UF10 and UF20 MWG Ultrafiltration Modules



- Hollow Fiber UF membranes in PVDF;
- Nominal MWCO, Dextrane < 150.000 Dalton;
- Outside to inside flow direction;
- Fiber Outside / Inside diameter 1,4/0,8 mm;
- Hollow fiber membranes in PVDF with a long lifetime, high mechanical strength and chemical
- High permeability and 30 nm nominal pore diameter;
- They remove viruses, bacteria and particles, including colloids;
- Produced water quality is < 0,2 NTU;
- Body and cap in U-PVC;
- Nozzles DN25;
- Dead end/ Crossflow Operation mode;
- Operation parameters: Temperature 1-40°C; pH 2-11;
- Filtrate flux @25°C : 45-180 l/m<sup>2</sup> h;
- Filtration capacity MMUF10 = 0.45-1.8 m<sup>3</sup>/h; MMUF20= 0.90-3.60 m<sup>3</sup>/h;
- Feed water inlet pressure 25°C 2-3 bar (instant max 5); TMP 0,4-2 bar;
- Filtrate Water SDI < 2,5;
- Filtrate Water Turbidity NTU < 0,2.

Ref.	Description	Fam.	Subfam.	Disp. Stock	Price Euro
MMUF10	MWG MODULE ULTRAFILTRATION 10 M2	35	188	NO	2068,81
MMUF20	MWG MODULE ULTRAFILTRATION 20 M2	35	188	NO	2671,73

Ref.	Active Surface (m <sup>2</sup> )	A (mm)	B (mm)	C (mm)	D (mm)	Weight (kg)	Flow Capacity (m <sup>3</sup> /h)
MMUF10	10	1086	190	50	110	10	0,45 - 1,80
MMUF20	20	1110	245	50	140	18	0,90 - 3,60

### Feed water Specifications

Parameter	Unit	Specification
Temperature	° C	25 (max 40)
Particle dimension	micron	<300
Turbidity	NTU	50 (max 250)
Oil and grease	mg/l	0 (max 1)
pH	-	6-9
Total Organic Carbon (TOC)	mg/l	<10 (max 30)
Total Suspended Solids (TSS)	mg/l	50 (max 80)
Chlorine	mg/l	0,4 (instant max 150)

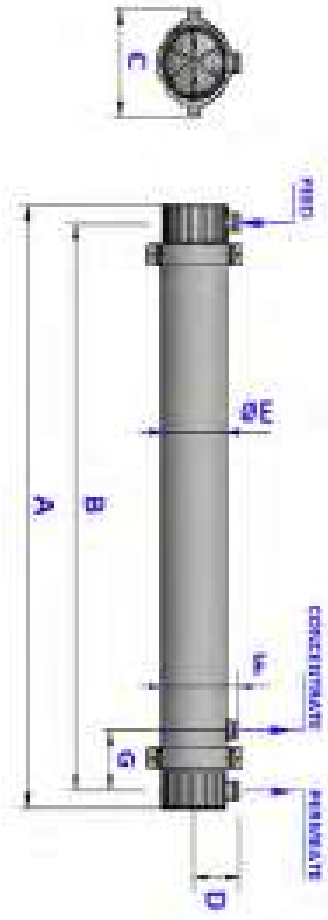
Cleaning, Disinfection and Preservative Solution	
Cleaning	
Backwash Pressure	max 2,5 bar
Air Flow Rate	max 20 Nm <sup>3</sup> /h
Air Pressure	600 - 800 mbar
Chemically Enhanced Backwash (CEB)	
Sodium Hypochlorite (NaOCl)	1000 mg/l
Sodium Hydroxide (NaOH)	500 mg/l
Hydrochloric Acid (HCl)	1000 mg/l
Citric Acid	1 - 2 %
Clean-in-Place (CIP)	
Frequency	Current Process TMP (bar) ≥ Initial TMP (bar) + 0,9 bar
Operation Duration	2 hours
Chemical Cleaning Solutions (depend on pollutant)	0,1 % NaOH + 0,2 % NaOCl 0,2 % HCl + 0,2 % Citric Acid
Cleaning Flow Rate per Module	1 - 2 m <sup>3</sup> /h

Certificates	Manufacturer	Sectors
	<b>MWG</b>	Industrial





## UF80 MWG Ultrafiltration Modules



- Hollow Fiber UF membranes in PVDF;
- Nominal MWCO, Dextrane < 150.000 Dalton;
- Outside to inside flow direction;
- Fiber Outside / Inside diameter 1,4/0,8 mm;
- Hollow fiber membranes in PVDF with a long lifetime, high mechanical strength and chemical
- High permeability and 30 nm nominal pore diameter;
- They remove viruses, bacteria and particles, including colloids;
- Produced water quality is < 0,2 NTU;
- Body and cap in U-PVC;
- DN50 grooved-end nozzles;
- Dead end/ Crossflow Operation mode;
- Operation parameters: Temperature 1-40°C; pH 2-11;
- Filtrate flux @25°C : 45-180 l/m<sup>2</sup> h;
- Filtration capacity 3,6-14,4 m<sup>3</sup>/h;
- Feed water inlet pressure 25°C 2-3 bar (instant max 5); TMP 0,4-2 bar;
- Filtrate Water SDI < 2,5;
- Filtrate Water Turbidity NTU < 0,2.

Ref.	Description	Fam.	Subfam.	Disp. Stock	Price Euro
MMUF80	MWG MODULE ULTRAFILTRATION 80 M2	35	188	NO	5449,35

Ref.	Active Surface (m <sup>2</sup> )	A (mm)	B (mm)	C (mm)	D (mm)	F (mm)	G (mm)
MMUF80	80	2038	1917	360	172	289	205

### Feed water Specifications

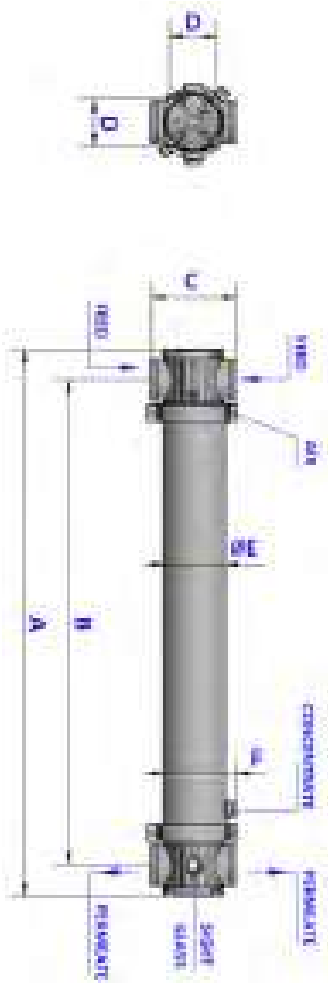
Parameter	Unit	Specification
Temperature	° C	25 (max 40)
Particle dimension	micron	<300
Turbidity	NTU	50 (max 250)
Oil and grease	mg/l	0 (max 1)
pH	-	6-9
Total Organic Carbon (TOC)	mg/l	<10 (max 30)
Total Suspended Solids (TSS)	mg/l	50 (max 80)
Chlorine	mg/l	0,4 (instant max 150)

Cleaning, Disinfection and Preservative Solution	
Cleaning	
Backwash Pressure	max 2,5 bar
Air Flow Rate	max 20 Nm <sup>3</sup> /h
Air Pressure	600 - 800 mbar
Chemically Enhanced Backwash (CEB)	
Sodium Hypochlorite (NaOCl)	1000 mg/l
Sodium Hydroxide (NaOH)	500 mg/l
Hydrochloric Acid (HCl)	1000 mg/l
Citric Acid	1 - 2 %
Clean-in-Place (CIP)	
Frequency	Current Process TMP (bar) ≥ Initial TMP (bar) + 0,9 bar
Operation Duration	2 hours
Chemical Cleaning Solutions (depend on pollutant)	0,1 % NaOH + 0,2 % NaOCl      0,2 % HCl + 0,2 % Citric Acid
Cleaning Flow Rate per Module	1 - 2 m <sup>3</sup> /h

Certificates	Manufacturer	Sectors
	<b>MWG</b>	Industrial



## UF80T MWG Ultrafiltration Modules



- Hollow Fiber UF membranes in PVDF;
- Nominal MWCO, Dextrane < 150.000 Dalton;
- Outside to inside flow direction;
- Fiber Outside / Inside diameter 1,4/0,8 mm;
- Hollow fiber membranes in PVDF with a long lifetime, high mechanical strength and chemical
- High permeability and 30 nm nominal pore diameter;
- They remove viruses, bacteria and particles, including colloids;
- Produced water quality is < 0,2 NTU;
- Body and cap in U-PVC;
- DN50 grooved-end concentrate nozzles; DN150 grooved-end feed and permeate nozzles; NPT 3/8" straight union connection air inlet nozzle;
- Dead end/ Crossflow Operation mode;
- Operation parameters: Temperature 1-40°C; pH 2-11;
- Filtrate flux @25°C : 45-180 l/m<sup>2</sup> h;
- Filtration capacity 3,6-14.4 m<sup>3</sup>/h;
- Feed water inlet pressure 25°C 2-3 bar (instant max 5); TMP 0,4-2 bar;
- Filtrate Water SDI < 2,5;
- Filtrate Water Turbidity NTU < 0,2.

Ref.	Description	Fam.	Subfam.	Disp. Stock	Price Euro
MMUF80T	MWG MODULE ULTRAFILTRATION 80 M2 T	35	188	NO	5745,60

Ref.	Active Surface (m <sup>2</sup> )	A (mm)	B (mm)	C (mm)	D (mm)	E (mm)	F (mm)
MMUF80T	80	2216	1968	344	190	250	289

### Feed water Specifications

Parameter	Unit	Specification
Temperature	° C	25 (max 40)
Particle dimension	micron	<300
Turbidity	NTU	50 (max 250)
Oil and grease	mg/l	0 (max 1)
pH	-	6-9
Total Organic Carbon (TOC)	mg/l	<10 (max 30)
Total Suspended Solids (TSS)	mg/l	50 (max 80)
Chlorine	mg/l	0,4 (instant max 150)

Cleaning, Disinfection and Preservative Solution	
Cleaning	
Backwash Pressure	max 2,5 bar
Air Flow Rate	max 20 Nm <sup>3</sup> /h
Air Pressure	600 - 800 mbar
Chemically Enhanced Backwash (CEB)	
Sodium Hypochlorite (NaOCl)	1000 mg/l
Sodium Hydroxide (NaOH)	500 mg/l
Hydrochloric Acid (HCl)	1000 mg/l
Citric Acid	1 - 2 %
Clean-in-Place (CIP)	
Frequency	Current Process TMP (bar) ≥ Initial TMP (bar) + 0,9 bar
Operation Duration	2 hours
Chemical Cleaning Solutions (depend on pollutant)	0,1 % NaOH + 0,2 % NaOCl    0,2 % HCl + 0,2 % Citric Acid
Cleaning Flow Rate per Module	1 - 2 m <sup>3</sup> /h

Certificates	Manufacturer	Sectors
	<b>MWG</b>	Industrial



# VESSEL AND ACCESSORIES, ROTARY PUMPS

MWG

  
[BACK  
TO INDEX](#)



## Vessel for Residential Elements

### 1,8" - 2"

- material PP white; connections 1/8" NPT F; max pressure 125 psi (8,6 bar);
- double o-ring; permeate tube seat diameter = 0,67"; nominal dimension 1812 - 2012.

**Membranes coupling:** CSM 1,8" - 2" residential membranes,

Ref	Description	Fam.	Subfam.	Disp. Stock	Price Euro
DE010	MEMBRANE VESSEL 1812 IN P.P.	30	175	OK	5,73

Box: WxLxH	Box: Q.ty	Box: Weight	Pallet: WxLxH	Pallet: Q.ty	Pallet: Weight

Certificates	Manufacturer	Sectors
DM174-2004		Domestic



### Single mounting clips for vessel residential 1,8" - 2" membranes

- material PP; white colour.

Ref	Description	Fam.	Subfam.	Disp. Stock	Price Euro
DE034	MWG SINGLE CLIP 2.5"	30	175	OK	0,34

Certificates	Manufacturer	Sectors
	<b>MWG</b>	Domestic



### 2,8" - 3"

- material PP white;
- permeate tube seat diameter = 0,67";
- nominal dimension 2812-3012 (DE007) or 3013 (DE008);
- max pressure 125 psi (8,6 bar);
- For DE007: feed, permeate and concentrate 3/8" NPT F (please, use our fittings ref. AV153 or elbows ref. AV159);
- For DE008: feed and concentrate 3/8" tube, permeate 1/4" tube, all quick connection type included;
- For DE008, it is available a Wrench (ref. DE001), to order separately.

• **Membranes coupling:** 2,8" and 3" residential membranes.

Ref	Description	Fam.	Subfam.	Disp. Stock	Price Euro
DE007	MEMBRANE VESSEL 3012 IN P.P.	30	175	OK	32,91
DE008	MEMBRANE VESSEL 3013 IN PP	30	175	OK	13,93

Box: WxLxH	Box: Q.ty	Box: Weight	Pallet: WxLxH	Pallet: Q.ty	Pallet: Weight

Certificates	Manufacturer	Sectors
DM174-2004		Domestic



### Single mounting clips for vessel residential 3" membranes

- material PP; white colour.

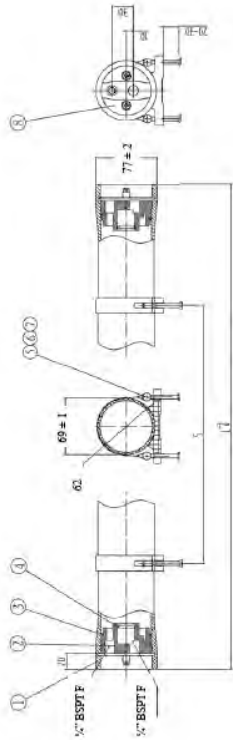
Ref	Description	Fam.	Subfam.	Disp. Stock	Price Euro
DE006	MWG SINGLE CLIP 3"	30	175	OK	1,28

Certificates	Manufacturer	Sectors
	<b>MWG</b>	Domestic





## 2 1/2" Membrane Vessels End Port Series 300 E-2.5



- Fiberglass reinforced plastic pressure vessels series 300 E-2.5, D.75" direct connection, white painted, UVA-ray proof material;
- End-cap in ABS;
- Max operating pressure 300 psi (21 bar);
- European 2014/68/EU Directive compliant for pressure equipment (PED);
- Built in accordance with ASME code section X;
- Each vessel is factory tested at 1,5 times max operating pressure;
- Connections: feed/concentrate 1/4" BSPT F, permeate 1/4" BSPT F;
- Operating pH Range: 3 ÷ 11      Cleaning pH Range: 2 ÷ 12 (less than 30 minutes);
- Straps and saddles included.

Ref	Description	Fam.	Subfam.	Disp. Stock	Price Euro
H2E1BQ	MWG RO VESSEL FRP 2,5" END-PORT 300 PSI 2514 1/4"BSPT F - 1/4" BSPT F	30	180	OK	137,82
H2E1BV	MWG RO VESSEL FRP 2,5" END-PORT 300 PSI 2521 1/4"BSPT F - 1/4" BSPT F	30	180	OK	149,12
H2E1B1	MWG RO VESSEL FRP 2,5" END-PORT 300 PSI 2540 1/4"BSPT F - 1/4" BSPT F	30	180	OK	167,36

Ref	Elements	L (mm)	S (mm)
H2E1BQ	1 x 14"	427	200
H2E1BV	1 x 21"	605	400
H2E1B1	1 x 40"	1088	700

Ref	Box: WxLxH.	Box: Qnt.	Box: Weight.	Pallet: WxLxH.	Pallet: Qnt.	Pallet: Weight.
H2E1BQ						
H2E1BV						
H2E1B1						

Certificates	Manufacturer	Sectors
DM174-2004 CE	<b>MWG</b>	Commercial

### Spare parts

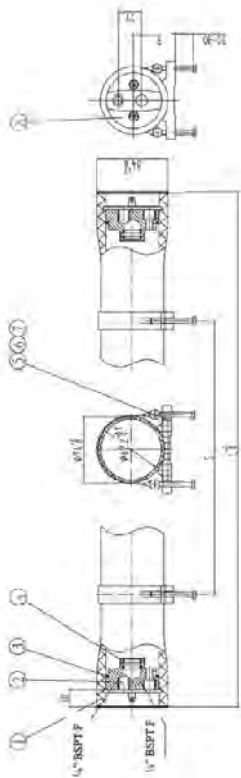
Ref	Description	Fam.	Subfam.	Disp. Stock	Price Euro
H2R011	MWG 2,5" MPV END PLATE IN ABS F/C/P 1/4" BSPT FOR300 PSI	30	180	OK	23,88
H2R103	MWG 2,5" MPV HEAD SEAL IN EPDM FOR 300÷1000 PSI	30	180	OK	4,87
H2R101	MWG 2,5" & 4" MPV ADAPTER SEAL IN EPDM FOR 300÷1200 PSI	30	180	OK	1,17
H2R001	MWG 2.5" MPV SADDLE FOR 300-1000 PSI	30	180	OK	2,71
H2R003	MWG 2.5" MPV STRAP FOR 300 PSI L=160 MM	30	180	OK	16,74
H2R041	MWG 2,5" MPV SEEGER IN AISI 316 FOR 300-1000 PSI	30	180	OK	10,08

### Spare parts

Item	Ref	Q.ty for each MPV	Material	Note
2 + 4	H2R011	2	ABS	
3	H2R103	2	EPDM	56 x 3,55
4	H2R101	2	EPDM	19 x 2,65
5	H2R001	2	Rubber	
7 + 6	H2R003	2	AISI 304 - Rubber	
8	H2R041	4	AISI 304	



## 2 1/2" Membrane Vessels End Port Series 1000 E-2.5



- Fiberglass reinforced plastic pressure vessels series 1000 E-2.5, D.75" direct connection, white painted, UVA-ray proof material;
- End-cap in super duplex steel AISI 2507;
- Max operating pressure 1000 psi (69 bar);
- European 2014/68/EU Directive compliant for pressure equipment (PED);
- Built in accordance with ASME code section X;
- Each vessel is factory tested at 1,5 times max operating pressure;
- Connections: feed/concentrate 1/4" BSPT F, permeate 1/4" BSPT F;
- Operating pH Range: 3 ÷ 11      Cleaning pH Range: 2 ÷ 12 (less than 30 minutes);
- Straps and saddles included.

Ref	Description	Fam.	Subfam.	Disp. Stock	Price Euro
H2E1GV	MWG RO VESSEL FRP 2,5" END-PORT 1000 PSI 2521 1/4"BSPT F - 1/4" BSPT F	30	180	OK	573,88
H2E1G1	MWG RO VESSEL FRP 2,5" END-PORT 1000 PSI 2540 1/4"BSPT F - 1/4" BSPT F	30	180	OK	597,45

Ref	Elements	L (mm)	S (mm)
H2E1GV	1 x 21"	629	400
H2E1G1	1 x 40"	1112	700

Ref	Box: WxLxH.	Box: Qnt.	Box: Weight.	Pallet: WxLxH.	Pallet: Qnt.	Pallet: Weight.
H2E1GV						
H2E1G1						

Certificates	Manufacturer	Sectors
DM174-2004 CE	<b>MWG</b>	Commercial

### Spare parts

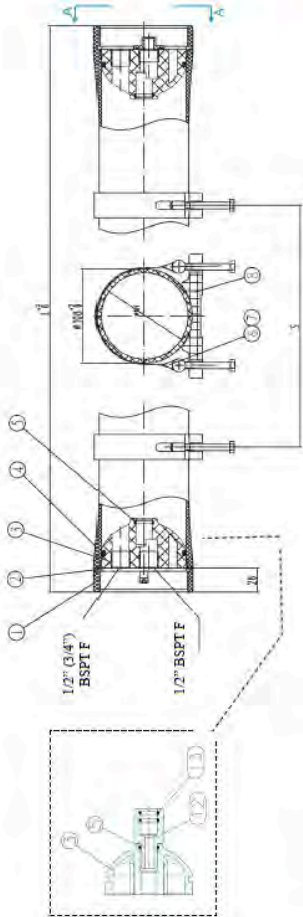
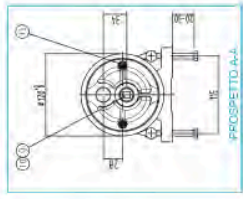
Ref	Description	Fam.	Subfam.	Disp. Stock	Price Euro
H2R013	MWG 2,5" MPV END PLATE IN AISI 2507SST F/C/P 1/4"BSPT FOR 1000 PSI	30	180	OK	190,74
H2R103	MWG 2,5" MPV HEAD SEAL IN EPDM FOR 300÷1000 PSI	30	180	OK	4,87
H2R101	MWG 2,5" & 4" MPV ADAPTER SEAL IN EPDM FOR 300÷1200 PSI	30	180	OK	1,17
H2R001	MWG 2.5" MPV SADDLE FOR 300-1000 PSI	30	180	OK	2,71
H2R041	MWG 2,5" MPV SEEGER IN AISI 316 FOR 300-1000 PSI	30	180	OK	10,08

### Spare parts

Item	Ref	Q.ty for each MPV	Material	Note
2 + 4	H2R013	2	Super Duplex Steel AISI 2507	
3	H2R103	2	EPDM	56 x 3,55
4	H2R101	4	EPDM	19 x 2,65
5	H2R001	2	Rubber	
8	H2R041	4	AISI 304	



## 4" Membrane Vessels End Port Series 300 E-4



- Fiberglass reinforced plastic pressure vessels series 300 E-4, D.75" direct connection, white painted, UVA-ray proof material;
- End-cap in ABS;
- Max operating pressure 300 psi (21 bar);
- European 2014/68/EU Directive compliant for pressure equipment (PED);
- Built in accordance with ASME code section X;
- Each vessel is factory tested at 1,5 times max operating pressure;
- Permeate connections 1/2" BSPT F;
- Feed connections 1/2" BSPT F or 3/4" BSPT F;
- Operating pH Range: 3 ÷ 11      Cleaning pH Range: 2 ÷ 12 (less than 30 minutes);
- Straps and saddles included (n.2 pcs).

Ref	Description	Fam.	Subfam.	Disp. Stock	Price Euro
H4E2BV	MWG RO VESSEL FRP 4" END-PORT 300 PSI 4021 1/2" BSPT F - 1/2" BSPT F	30	180	OK	195,21
H4E3BV	MWG RO VESSEL FRP 4" END-PORT 300 PSI 4021 3/4" BSPT F - 1/2" BSPT F	30	180	OK	195,21
H4E2B1	MWG RO VESSEL FRP 4" END-PORT 300 PSI 4040 1/2" BSPT F - 1/2" BSPT F	30	180	OK	196,33
H4E3B1	MWG RO VESSEL FRP 4" END-PORT 300 PSI 4040 3/4" BSPT F - 1/2" BSPT F	30	180	OK	196,33
H4E2B2	MWG RO VESSEL FRP 4" END-PORT 300 PSI 2EL 1/2" BSPT F - 1/2" BSPT F	30	180	OK	274,54
H4E3B2	MWG RO VESSEL FRP 4" END-PORT 300 PSI 2EL 3/4" BSPT F - 1/2" BSPT F	30	180	OK	274,54
H4E2B3	MWG RO VESSEL FRP 4" END-PORT 300 PSI 3EL 1/2" BSPT F - 1/2" BSPT F	30	180	OK	356,47
H4E3B3	MWG RO VESSEL FRP 4" END-PORT 300 PSI 3EL 3/4" BSPT F - 1/2" BSPT F	30	180	OK	356,47

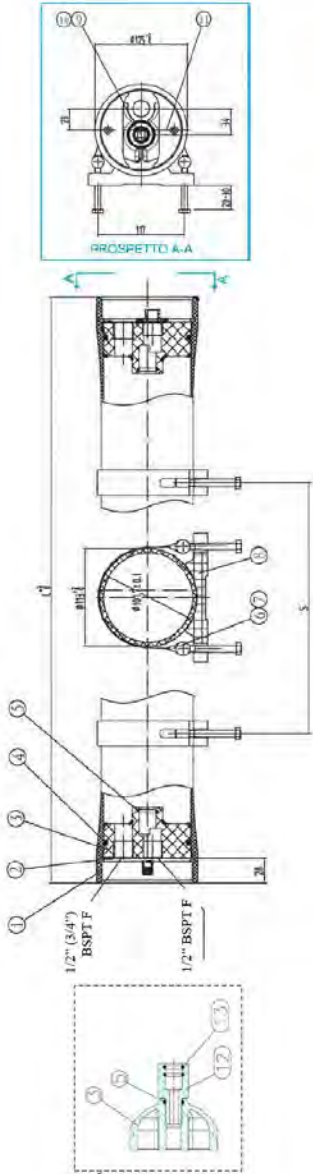
Ref	Elements	L (mm)	S (mm)
H4E2BV	1 x 21"	658	400
H4E3BV	1 x 21"	658	400
H4E2B1	1 x 40"	1140	600
H4E3B1	1 x 40"	1140	600
H4E2B2	2 x 40"	2156	1200
H4E3B2	2 x 40"	2156	1200
H4E2B3	3 x 40"	3172	2200
H4E3B3	3 x 40"	3172	2200

Certificates	Manufacturer	Sectors
DM174-2004 CE	<b>MWG</b>	Industrial



## 4" Membrane Vessels End Port Series 450 E-4

- Fiberglass reinforced plastic pressure vessels series 450 E-4, D.75" direct connection, white painted, UVA-ray proof material;
- End-cap in ABS;
- Max operating pressure 450 psi (31 bar);
- European 2014/68/EU Directive compliant for pressure equipment (PED);
- Built in accordance with ASME code section X;
- Each vessel is factory tested at 1,5 times max operating pressure;
- Permeate connections 1/2" BSPT F;
- Operating pH Range: 3 ÷ 11      Cleaning pH Range: 2 ÷ 12 (less than 30 minutes);
- Straps and saddles included (n.2 pcs).



Ref	Description	Fam.	Subfam.	Disp. Stock	Price Euro
H4E2C1	MWG RO VESSEL FRP 4" END-PORT 450 PSI 4040 1/2" BSPT F - 1/2" BSPT F	30	180	OK	211,60
H4E3C1	MWG RO VESSEL FRP 4" END-PORT 450 PSI 4040 3/4" BSPT F - 1/2" BSPT F	30	180	OK	211,60
H4E2C2	MWG RO VESSEL FRP 4" END-PORT 450 PSI 2EL 1/2" BSPT F - 1/2" BSPT F	30	180	OK	296,24
H4E3C2	MWG RO VESSEL FRP 4" END-PORT 450 PSI 2EL 3/4" BSPT F - 1/2" BSPT F	30	180	OK	296,24
H4E2C3	MWG RO VESSEL FRP 4" END-PORT 450 PSI 3EL 1/2" BSPT F - 1/2" BSPT F	30	180	OK	380,88
H4E3C3	MWG RO VESSEL FRP 4" END-PORT 450 PSI 3EL 3/4" BSPT F - 1/2" BSPT F	30	180	OK	380,88

Ref	Elements	L (mm)	S (mm)
H4E2C1	1 x 40"	1152	600
H4E3C1	1 x 40"	1152	600
H4E2C2	2 x 40"	2168	1200
H4E3C2	2 x 40"	2168	1200
H4E2C3	3 x 40"	3184	2200
H4E3C3	3 x 40"	3184	2200

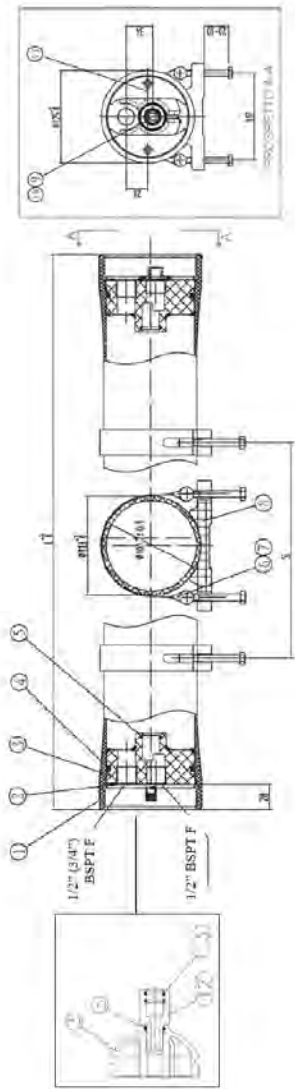
Certificates	Manufacturer	Sectors
DM174-2004 CE	<b>MWG</b>	Industrial





## 4" End Port Serie 300/450 PSI Vessels Spare Parts

### Spare parts

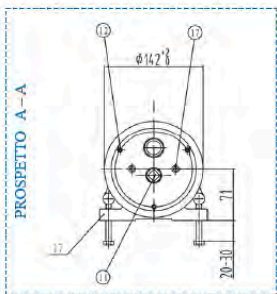
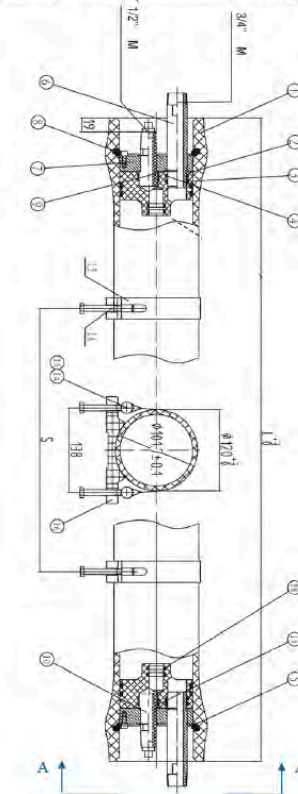
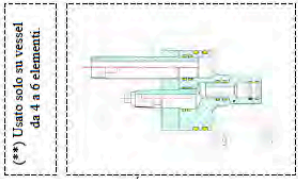


Ref	Description	Fam.	Subfam.	Disp. Stock	Price Euro
H4R041	MWG 4" MPV SEEGER IN AISI 304 FOR 300-450 PSI	30	180	OK	7,19
H4R401	MWG 4" MPV END PLATE ABS- PP 1/2" BSPT + FCP 1/2"BSPT END PORT 300-450PSI	30	180	OK	42,51
H4R403	MWG 4" MPV END PLATE ABS- PP 1/2" BSPT + FCP 3/4"BSPT END PORT 300-450PSI	30	180	OK	42,51
H4R107	MWG 4" MPV HEAD SEAL IN EPDM FOR 300÷1200 PSI	30	180	OK	6,26
H2R101	MWG 2,5" & 4" MPV ADAPTER SEAL IN EPDM FOR 300÷1200 PSI	30	180	OK	1,17
H4R003	MWG 4" MPV STRAP FOR 300-450 PSI L=265 MM	30	180	OK	22,25
H4R001	MWG 4" MPV SADDLE FOR 300-1200 PSI	30	180	OK	3,14
H4R081	MWG 4" MPV PLUG IN ABS FOR 300-450 PSI	30	180	OK	2,51
H4R101	MWG 4" MPV O-RING IN EPDM OF PLUG 300-450 PSI	30	180	OK	1,94
H4R209	MWG 4" MPV SEEGER SCREW M6x14 IN AISI 304	30	180	OK	1,51
H4R601	MWG 4" MPV ADAPTER IN ABS FOR END/SIDE P 300-450 PSI + 600-1000-1200 END P	30	180	OK	18,21
H2R101	MWG 2,5" & 4" MPV ADAPTER SEAL IN EPDM FOR 300÷1200 PSI	30	180	OK	1,17

Item	Ref	Q.ty for each MPV	Material	Note
2	H4R041	4	AISI 304	
3 + 5	H4R401	2	ABS	1/2" 1/2"
3 + 5	H4R403	2	ABS	3/4" 1/2"
4	H4R107	2	EPDM	90 x 5,3
5	H2R101	2	EPDM	19 x 2,65
6 + 7	H4R003	2-3	AISI 304 - Rubber	
8	H4R001	2-3	Rubber	
9	H4R081	1	ABS	
10	H4R101	1	EPDM	23,6 x 3,55
11	H4R209	4	AISI 304	M6 x 14
12 + 13	H4R601	2	ABS	
13	H2R101	4	EPDM	19 x 2,65



## 4" Membrane Vessels End Port Series 1000 E-4



- Fiberglass reinforced plastic pressure vessels series 1000 E-4, complete with 0,75" adapters, white painted, UVA-ray proof material;
- Max operating pressure 1000 psi (69 bar);
- European 2014/68/EU Directive compliant for pressure equipment (PED);
- Built in accordance with ASME code section X;
- Each vessel is factory tested at 1,5 times max operating pressure;
- Feed/concentrate connections 3/4" BSPT M, in super duplex steel AISI 2507;
- Permeate connections 1/2" BSPT M;
- Operating pH Range: 3 ÷ 11      Cleaning pH Range: 2 ÷ 12 (less than 30 minutes);
- Straps and saddles included (n.2 pcs).

Ref	Description	Fam.	Subfam.	Disp. Stock	Price Euro
H4E4G1	MWG RO VESSEL FRP 4" END-PORT 1000 PSI 4040 3/4" BSPT M - 1/2" BSPT M	30	180	OK	931,05
H4E4G2	MWG RO VESSEL FRP 4" END-PORT 1000 PSI 2EL 3/4" BSPT M - 1/2" BSPT M	30	180	OK	1245,20
H4E4G3	RO VESSEL FRP 4" END-PORT 1000 PSI 3EL 3/4" BSPTM - 1/2" BSPT M	30	180	NO	1375,63

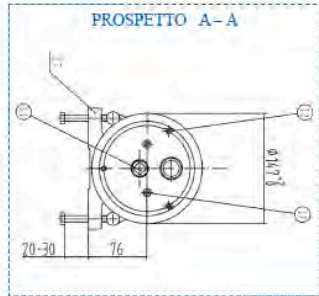
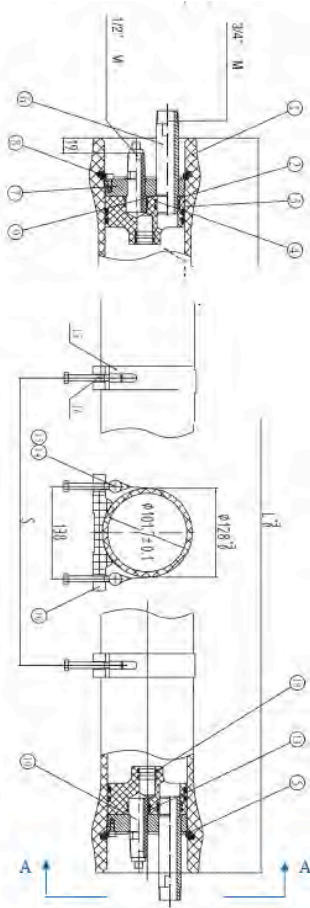
Ref	Elements	L (mm)	S (mm)
H4E4G1	1 x 40"	1244	600
H4E4G2	2 x 40"	2260	1200
H4E4G3	3 x 40"	3276	2200

Ref	Box: WxLxH.	Box: Qnt.	Box: Weight.	Pallet: WxLxH.	Pallet: Qnt.	Pallet: Weight.
H4E4G1						
H4E4G2						
H4E4G3						

Certificates	Manufacturer	Sectors
DM174-2004 CE	<b>MWG</b>	Industrial



## 4" Membrane Vessels End Port Series 1200 E-4



- Fiberglass reinforced plastic pressure vessels series 1200 E-4, complete with 0,75" adapters, white painted, UVA-ray proof material;
- Max operating pressure 1200 psi (83 bar);
- European 2014/68/EU Directive compliant for pressure equipment (PED);
- Built in accordance with ASME code section X;
- Each vessel is factory tested at 1,5 times max operating pressure;
- Feed/concentrate connections 3/4" BSPT M, in super duplex steel AISI 2507;
- Permeate connections 1/2" BSPT M;
- Operating pH Range: 3 ÷ 11      Cleaning pH Range: 2 ÷ 12 (less than 30 minutes);
- Straps and saddles included (n.2 pcs).

Ref	Description	Fam.	Subfam.	Disp. Stock	Price Euro
H4E4H1	MWG RO VESSEL FRP 4" END-PORT 1200 PSI 4040 3/4" BSPT M - 1/2" BSPT M	30	180	OK	1037,07
H4E4H2	MWG RO VESSEL FRP 4" END-PORT 1200 PSI 2EL 3/4" BSPT M - 1/2" BSPT M	30	180	OK	1360,73
H4E4H3	MWG RO VESSEL FRP 4" END-PORT 1200 PSI 3EL 3/4" BSPT M - 1/2" BSPT M	30	180	OK	1614,14

Ref	Elements	L (mm)	S (mm)
H4E4H1	1 x 40"	1244	600
H4E4H2	2 x 40"	2260	1200
H4E4H3	3 x 40"	3276	2200

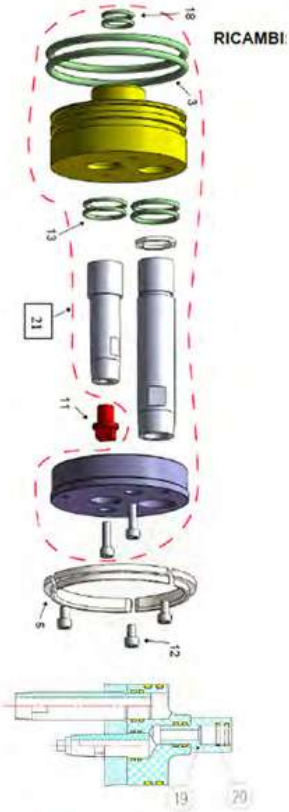
Ref	Box: WxLxH.	Box: Qnt.	Box: Weight.	Pallet: WxLxH.	Pallet: Qnt.	Pallet: Weight.
H4E4H1						
H4E4H2						
H4E4H3						

Certificates	Manufacturer	Sectors
DM174-2004 CE	<b>MWG</b>	Industrial



## 4" End Port Serie 600/1000/1200 psi Vessel spare parts

### Spare parts



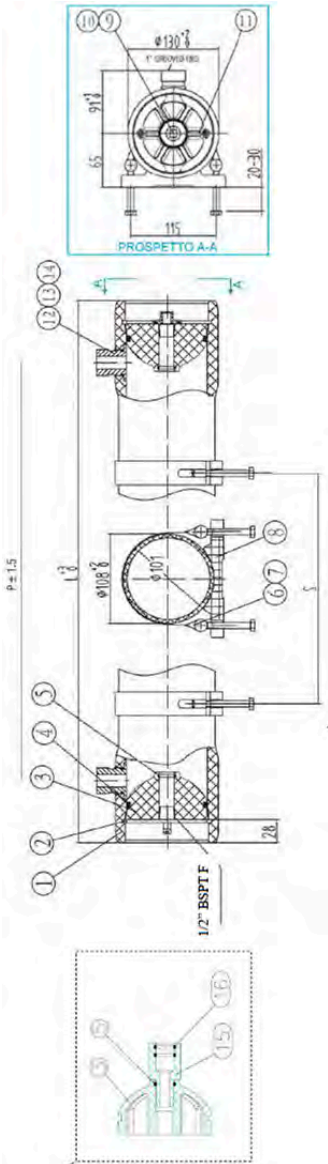
Ref	Description	Fam.	Subfam.	Disp. Stock	Price Euro
H4R107	MWG 4" MPV HEAD SEAL IN EPDM FOR 300÷1200 PSI	30	180	OK	6,26
H4R045	MWG 4" MPV LOCKING KIT SEGMENT (3PCS) IN AISI 316FOR 600-1200 PSI	30	180	OK	15,21
H4R083	MWG 4" MPV PLUG IN ABS FOR 600-1200 PSI	30	180	OK	2,19
H4R205	MWG 4" MPV SECURING SCREW IN ISI 304 FOR 600-1200PSI	30	180	OK	0,67
H4R111	MWG 4" MPV PERMEATE PORT O-RING IN EPDM	30	180	OK	1,65
H4R005	MWG 4" MPV STRAP FOR 600-1000 PSI L=280 MM	30	180	OK	19,11
H4R001	MWG 4" MPV SADDLE FOR 300-1200 PSI	30	180	OK	3,14
H2R101	MWG 2,5" & 4" MPV ADAPTER SEAL IN EPDM FOR 300÷1200 PSI	30	180	OK	1,17
H4R601	MWG 4" MPV ADAPTER IN ABS FOR END/SIDE P 300-450 PSI + 600-1000-1200 END P	30	180	OK	18,21
H2R101	MWG 2,5" & 4" MPV ADAPTER SEAL IN EPDM FOR 300÷1200 PSI	30	180	OK	1,17
H4R707	MWG 4" MPV HEAD ASSEMBLY END PORT 600-1000-1200 PSI	30	180	OK	286,39

Item	Ref	Q.ty for each MPV	Material	Note
3	H4R107	4	EPDM	90 x 5,3
5	H4R045	2	AISI 316	
11	H4R083	1	ABS	
12	H4R205	6	AISI 304	M6 x 20
13	H4R111	4	EPDM	25 x 2,65
14 + 15	H4R005	2-3	AISI 304 - Rubber	
16	H4R001	2-3	Rubber	
18	H2R101	4	EPDM	19 x 2,65
19 + 20	H4R601	2	ABS	
20	H2R101	4	EPDM	19 x 2,65
21	H4R707	2		



4" Membrane Vessels Side Port Series 300 S-4

- Fiberglass reinforced plastic pressure vessels series 300 S-4, D.75" direct connection, white painted, UVA-ray proof material;
- Max operating pressure 300 psi (21 bar);
- European 2014/68/EU Directive compliant for pressure equipment (PED);
- Built in accordance with ASME code section X;
- Each vessel is factory tested at 1,5 times max operating pressure;
- Feed/concentrate 1" grooved end connections, 0° or 180° oriented;
- Permeate connections 1/2" BSPT F;
- Operating pH Range: 3 ÷ 11      Cleaning pH Range: 2 ÷ 12 (less than 30 minutes);
- Straps and saddles included (n.2 pcs from 1 to 3 elements, n.3 pcs for 4 elements).



Ref.	Description	Fam.	Subfam.	Disp. Stock	Price Euro
H410B1	MWG RO VESSEL FRP 4" SIDE-PORT 300 PSI 4040 1C5C - 1/2" BSPT F	30	180	OK	219,74
H410B2	MWG RO VESSEL FRP 4" SIDE-PORT 300 PSI 2EL 1C5C - 1/2" BSPT F	30	180	OK	292,99
H410B3	MWG RO VESSEL FRP 4" SIDE-PORT 300 PSI 3EL 1C5C - 1/2" BSPT F	30	180	OK	370,72
H410B4	MWG RO VESSEL FRP 4" SIDE-PORT 300 PSI 4EL 1C5C - 1/2" BSPT F	30	180	OK	505,01
H412B1	MWG RO VESSEL FRP 4" SIDE-PORT 300 PSI 4040 1C7C - 1/2" BSPT F	30	180	OK	219,74
H412B2	MWG RO VESSEL FRP 4" SIDE-PORT 300 PSI 2EL 1C7C - 1/2" BSPT F	30	180	OK	292,99
H412B3	MWG RO VESSEL FRP 4" SIDE-PORT 300 PSI 3EL 1C7C - 1/2" BSPT F	30	180	OK	370,72
H412B4	MWG RO VESSEL FRP 4" SIDE-PORT 300 PSI 4EL 1C7C - 1/2" BSPT F	30	180	OK	505,01

Ref.	Elements	L (mm)	P (mm)	S (mm)	Orient.
H410B1	1 x 40"	1140	984	600	0°
H410B2	2 x 40"	2156	2000	1200	0°
H410B3	3 x 40"	3172	3016	2200	0°
H410B4	4 x 40"	4268	4112	1600 x 2	0°
H412B1	1 x 40"	1140	984	600	180°
H412B2	2 x 40"	2156	2000	1200	180°
H412B3	3 x 40"	3172	3016	2200	180°
H412B4	4 x 40"	4268	4112	1600 x 2	180°

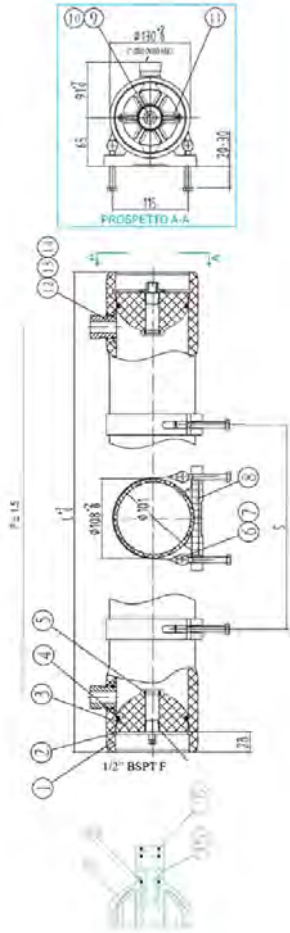
Ref.	Box: WxLxH.	Box: Qnt.	Box: Weight.	Pallet: WxLxH.	Pallet: Qnt.	Pallet: Weight.
H410B1						
H410B2						
H410B3						
H410B4						
H412B1						
H412B2						
H412B3						
H412B4						

Certificates	Manufacturer	Sectors
DM174-2004 CE	<b>MWG</b>	Industrial



4" Membrane Vessels Side Port Series 300 S-4

Spare parts



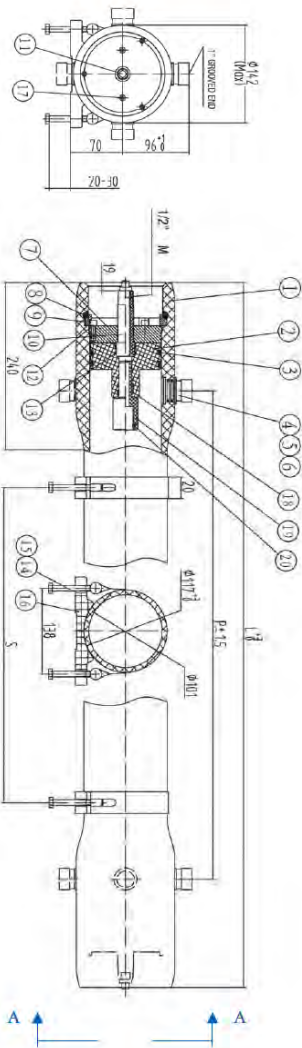
Ref.	Description	Fam.	Subfam.	Disp. Stock	Price Euro
H4R041	MWG 4" MPV SEEGER IN AISI 304 FOR 300-450 PSI	30	180	OK	7,19
H4R405	4" MPV END PLATE ABS WITH FOR MEATE PORT 1/2"BSPTFOR SIDE PORT 300 PSI	30	180	OK	28,17
H4R107	MWG 4" MPV HEAD SEAL IN EPDM FOR 300÷1200 PSI	30	180	OK	6,26
H2R101	MWG 2,5" & 4" MPV ADAPTER SEAL IN EPDM FOR 300÷1200 PSI	30	180	OK	1,17
H4R003	MWG 4" MPV STRAP FOR 300-450 PSI L=265 MM	30	180	OK	22,25
H4R001	MWG 4" MPV SADDLE FOR 300-1200 PSI	30	180	OK	3,14
H4R081	MWG 4" MPV PLUG IN ABS FOR 300-450 PSI	30	180	OK	2,51
H4R101	MWG 4" MPV O-RING IN EPDM OF PLUG 300-450 PSI	30	180	OK	1,94
H4R209	MWG 4" MPV SEEGER SCREW M6x14 IN AISI 304	30	180	OK	1,51
H4R601	MWG 4" MPV ADAPTER IN ABS FOR END/SIDE P 300-450 PSI + 600-1000-1200 END P	30	180	OK	18,21
H2R101	MWG 2,5" & 4" MPV ADAPTER SEAL IN EPDM FOR 300÷1200 PSI	30	180	OK	1,17

Item	Ref	Q.ty for each MPV	Material	Note
2	H4R041	4	AISI 31	
3 + 5	H4R405	2	ABS	
4	H4R107	2	EPDM	90 x 5,3
5	H2R101	2	EPDM	19 x 2,65
6 + 7	H4R003	2-3	AISI 304 - Rubber	
8	H4R001	2-3	Rubber	
9	H4R081	1	ABS	
10	H4R101	1	EPDM	23,6 x 3,55
11	H4R209	4	AISI 304	M6 x 14
15 + 16	H4R601	2	ABS	
16	H2R101	4	EPDM	19 x 2,65



## 4" Membrane Vessels Side Port Series 600 S-4

PROSPETTO A-A



- Fiberglass reinforced plastic pressure vessels series 600 S-4, D.75" direct connection, white painted, UVA-ray proof material;
- Max operating pressure 600 psi (41 bar);
- European 2014/68/EU Directive compliant for pressure equipment (PED);
- Built in accordance with ASME code section X;
- Each vessel is factory tested at 1,5 times max operating pressure;
- Feed/concentrate 1" grooved end connections, 0° or 180° oriented, in super duplex steel AISI 2507;
- Permeate connections 1/2" BSPT M;
- Operating pH Range: 3 ÷ 11      Cleaning pH Range: 2 ÷ 12 (less than 30 minutes);
- Straps and saddles included (n.2 pieces).

Ref.	Description	Fam.	Subfam.	Disp. Stock	Price Euro
H410D1	MWG RO VESSEL FRP 4" SIDE-PORT 600 PSI 4040 1C5C - 1/2" BSPT M	30	180	NO	880,14
H410D2	MWG RO VESSEL FRP 4" SIDE-PORT 600 PSI 2EL 1C5C - 1/2" BSPT M	30	180	NO	1068,50
H410D3	MWG RO VESSEL FRP 4" SIDE-PORT 600 PSI 3EL 1C5C - 1/2" BSPT M	30	180	NO	1256,44
H412D1	MWG RO VESSEL FRP 4" SIDE-PORT 600 PSI 4040 1C7C - 1/2" BSPT M	30	180	NO	880,14
H412D2	MWG RO VESSEL FRP 4" SIDE-PORT 600 PSI 2EL 1C7C - 1/2" BSPT M	30	180	NO	1068,50
H412D3	MWG RO VESSEL FRP 4" SIDE-PORT 600 PSI 3EL 1C7C - 1/2" BSPT M	30	180	NO	1256,44

Ref.	Elements	L (mm)	P (mm)	S (mm)	Orient.
H410D1	1 x 40"	1364	1036	600	0°
H410D2	2 x 40"	2380	2052	1200	0°
H410D3	3 x 40"	3396	3068	2200	0°
H412D1	1 x 40"	1364	1036	600	180°
H412D2	2 x 40"	2380	2052	1200	180°
H412D3	3 x 40"	3396	3068	2200	180°

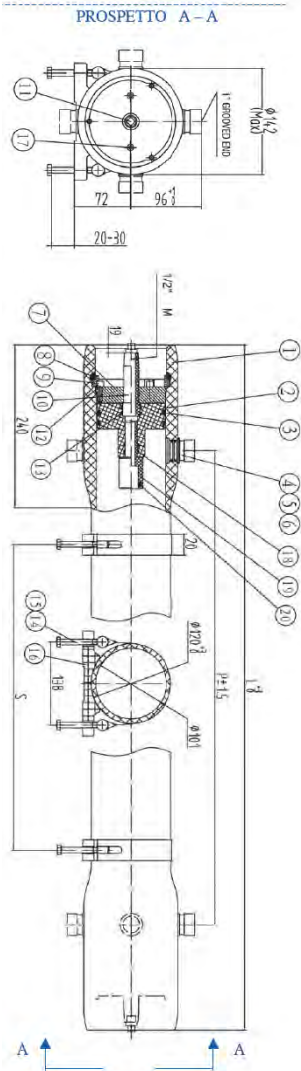
Ref.	Box: WxLxH	Box: Q.ty	Box: Weight	Pallet: WxLxH	Pallet: Q.ty	Pallet: Weight
H410D1						
H410D2						
H410D3						
H412D1						
H412D2						
H412D3						

Certificates	Manufacturer	Sectors
DM174-2004 CE	<b>MWG</b>	Industrial



### 4" Membrane Vessels Side Port Series 1000 S-4

- Fiberglass reinforced plastic pressure vessels series 1000 S-4, D.75" direct connection, white painted, UVA-ray proof material;
- Max operating pressure 1000 psi (69 bar); European 2014/68/EU Directive compliant for pressure equipment (PED);
- Built in accordance with ASME code section X;
- Each vessel is factory tested at 1,5 times max operating pressure;
- Feed/concentrate 1" grooved end connections, 0° or 180° oriented, in super duplex steel AISI 2507;
- Permeate connections 1/2" BSPT M;
- Operating pH Range: 3 ÷ 11      Cleaning pH Range: 2 ÷ 12 (less than 30 minutes);
- Straps and saddles included (n.2 pcs).



Ref.	Description	Fam.	Subfam.	Disp. Stock	Price Euro
H410G1	MWG RO VESSEL FRP 4" SIDE-PORT 1000 PSI 4040 1C5C - 1/2" BSPT M	30	180	OK	982,08
H410G2	MWG RO VESSEL FRP 4" SIDE-PORT 1000 PSI 2EL 1C5C - 1/2" BSPT M	30	180	OK	1190,58
H410G3	MWG RO VESSEL FRP 4" SIDE-PORT 1000 PSI 3EL 1C5C - 1/2" BSPT M	30	180	OK	1419,21
H412G1	MWG RO VESSEL FRP 4" SIDE-PORT 1000 PSI 4040 1C7C - 1/2" BSPT M	30	180	OK	982,08
H412G2	MWG RO VESSEL FRP 4" SIDE-PORT 1000 PSI 2EL 1C7C - 1/2" BSPT M	30	180	OK	1190,58
H412G3	MWG RO VESSEL FRP 4" SIDE-PORT 1000 PSI 3EL 1C7C - 1/2" BSPT M	30	180	OK	1419,21

Ref.	Elements	L (mm)	P (mm)	S (mm)	Orient.
H410G1	1 x 40"	1364	1036	600	0°
H410G2	2 x 40"	2380	2052	1200	0°
H410G3	3 x 40"	3396	3068	2200	0°
H412G1	1 x 40"	1364	1036	600	180°
H412G2	2 x 40"	2380	2052	1200	180°
H412G3	3 x 40"	3396	3068	2200	180°

Ref.	Box: WxLxH.	Box: Qty.	Pallet: WxLxH.	Pallet: Qty.	Pallet: Weight.	Box: Weight.
H410G1						
H410G2						
H410G3						
H412G1						
H412G2						
H412G3						

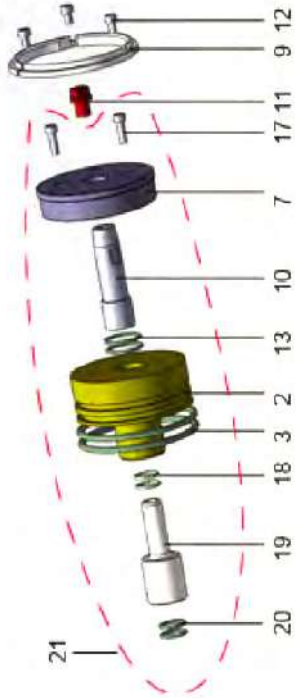
Certificates	Manufacturer	Sectors
DM174-2004 CE	<b>MWG</b>	Industrial





## 4" Side Port 600-1000-1200 Psi Vessel spare parts

### Spare parts

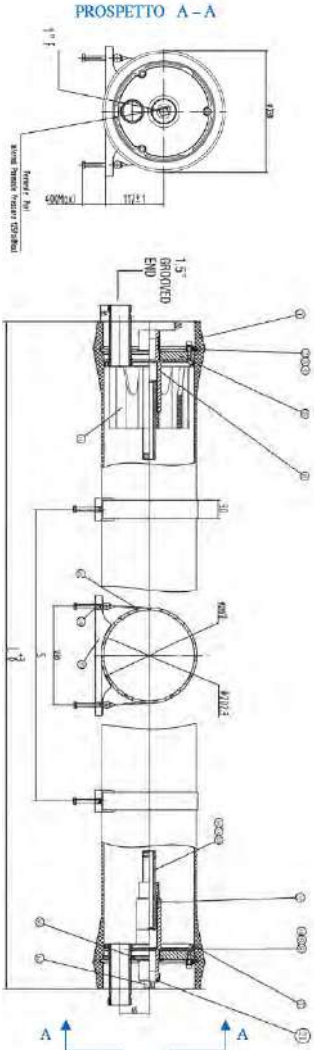


Ref	Description	Fam.	Subfam.	Disp. Stock	Price Euro
H4R107	MWG 4" MPV HEAD SEAL IN EPDM FOR 300÷1200 PSI	30	180	OK	6,26
H4R045	MWG 4" MPV LOCKING KIT SEGMENT (3PCS) IN AISI 316FOR 600-1200 PSI	30	180	OK	15,21
H4R083	MWG 4" MPV PLUG IN ABS FOR 600-1200 PSI	30	180	OK	2,19
H4R205	MWG 4" MPV SECURING SCREW IN ISI 304 FOR 600-1200PSI	30	180	OK	0,67
H4R111	MWG 4" MPV PERMEATE PORT O-RING IN EPDM	30	180	OK	1,65
H4R005	MWG 4" MPV STRAP FOR 600-1000 PSI L=280 MM	30	180	OK	19,11
H4R001	MWG 4" MPV SADDLE FOR 300-1200 PSI	30	180	OK	3,14
H4R113	MWG 4" MPV O-RING OF SEALING PLATE	30	180	OK	1,30
H4R603	MWG 4" MPV ADAPTER IN ABS FOR SIDE PORT 600-1000-1200 PSI	30	180	OK	24,36
H2R101	MWG 2,5" & 4" MPV ADAPTER SEAL IN EPDM FOR 300÷1200 PSI	30	180	OK	1,17
H4R717	4" MPV HEAD ASSEMBLY SIDE PORT 600-1000-1200 PSI	30	180	OK	278,37

Item	Ref	Q.ty for each MPV	Material	Note
3	H4R107	4	EPDM	90 x 5,3
9	H4R045	2	AISI 316	
11	H4R083	1	ABS	
12	H4R205	6	AISI 304	M6 x 20
13	H4R111	4	EPDM	25 x 2,65
Not shown	H4R005	2 - 3	AISI 304 - Rubber	
Not shown	H4R001	2 - 3	Rubber	
18	H4R113	4	EPDM	17 x 2,65
19 + 20	H4R603	2	ABS	
20	H2R101	4	EPDM	19 x 2,65
21	H4R717	2		



### 8" Membrane Vessels End Port Series 300 E-8



- Fiberglass reinforced plastic pressure vessels series 300 E-8, white painted, UVA-ray proof material;
- Max operating pressure 300 psi (21 bar);
- European 2014/68/EU Directive compliant for pressure equipment (PED);
- Built in accordance with ASME code section X;
- Each vessel is factory tested at 1,5 times max operating pressure;
- Feed/concentrate 1,5" grooved end connections in AISI 316;
- Permeate connections 1" BSPT F;
- Straps and saddles included (n.2 pcs from 1 to 3 elements, n.3 pcs from 4 to 6 elements);
- Operating pH Range: 3 ÷ 11      Cleaning pH Range: 2 ÷ 12 (less than 30 minutes);
- 1,125" membrane adapters included.

Ref.	Description	Fam.	Subfam.	Disp. Stock	Price Euro
H8E5B1	MWG RO VESSEL GROOVED END FRP 8" END-PORT 300 PSI1EL 1,5"- 1" BSPT F	35	180	OK	1138,52
H8E5B2	MWG RO VESSEL GROOVED END FRP 8" END-PORT 300 PSI2EL 1,5"- 1" BSPT F	35	180	OK	1245,67
H8E5B3	MWG RO VESSEL GROOVED END FRP 8" END-PORT 300 PSI3EL 1,5"- 1" BSPT F	35	180	OK	1393,06
H8E5B4	MWG RO VESSEL GROOVED END FRP 8" END-PORT 300 PSI4EL 1,5"- 1" BSPT F	35	180	OK	1429,94
H8E5B5	MWG RO VESSEL GROOVED END FRP 8" END-PORT 300 PSI5EL 1,5"- 1" BSPT F	35	180	OK	1681,24
H8E5B6	MWG RO VESSEL GROOVED END FRP 8" END-PORT 300 PSI6EL 1,5"- 1" BSPT F	35	180	OK	1828,92

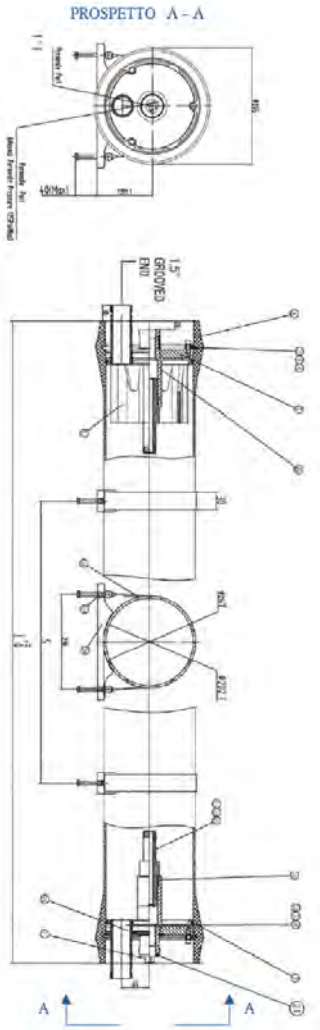
Ref.	Elements	L (mm)	S (mm)
H8E5B1	1 x 40"	1498	700
H8E5B2	2 x 40"	2514	1460
H8E5B3	3 x 40"	3530	2080
H8E5B4	4 x 40"	4546	1600 x 2
H8E5B5	5 x 40"	5562	2000 x 2
H8E5B6	6 x 40"	6578	2360 x 2

Ref.	Box: WxLxH.	Box: Qnt.	Box: Weight.	Pallet: WxLxH.	Pallet: Qnt.	Pallet: Weight.
H8E5B1						
H8E5B2						
H8E5B3						
H8E5B4						
H8E5B5						
H8E5B6						

Certificates	Manufacturer	Sectors
DM174-2004 CE	<b>MWG</b>	Industrial



## 8" Membrane Vessels End Port Series 450 E-8



- Fiberglass reinforced plastic pressure vessels series 450 E-8, white painted, UVA-ray proof material;
- Max operating pressure 450 psi (31 bar);
- European 2014/68/EU Directive compliant for pressure equipment (PED);
- Built in accordance with ASME code section X;
- Each vessel is factory tested at 1,5 times max operating pressure;
- Feed/concentrate 1,5" grooved end connections in AISI 316;
- Permeate connections 1" BSPT F;
- Operating pH Range: 3 ÷ 11      Cleaning pH Range: 2 ÷ 12 (less than 30 minutes);
- Straps and saddles included (n.2 pcs);
- 1,125" membrane adapters included.

Ref.	Description	Fam.	Subfam.	Disp. Stock	Price Euro
H8E5C1	MWG RO VESSEL GROOVED END FRP 8" END-PORT 450 PSI1EL 1,5" - 1" BSPT F	35	180	OK	1215,19
H8E5C2	MWG RO VESSEL GROOVED END FRP 8" END-PORT 450 PSI2EL 1,5" - 1" BSPT F	35	180	OK	1350,85
H8E5C3	MWG RO VESSEL GROOVED END FRP 8" END-PORT 450 PSIT. - 1" BSPT F	35	180	OK	1486,95

Ref.	Elements	L (mm)	S (mm)
H8E5C1	1 x 40"	1498	700
H8E5C2	2 x 40"	2514	1460
H8E5C3	3 x 40"	3530	2080

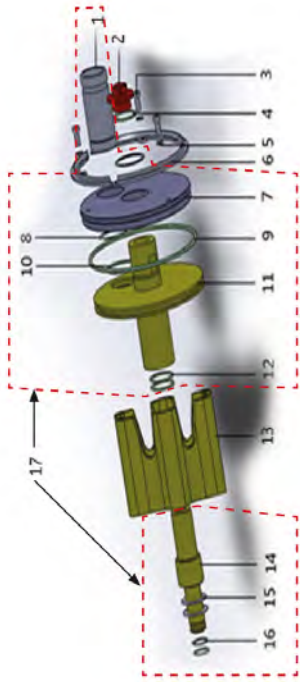
Ref.	Box: WxLxH	Box: Q.ty	Box: Weight	Pallet: WxLxH	Pallet: Q.ty	Pallet: Weight
H8E5C1						
H8E5C2						
H8E5C3						

Certificates	Manufacturer	Sectors
DM174-2004 CE	<b>MWG</b>	Industrial



8" End Port 300-450 Psi Vessels Spare Parts

Spare Parts

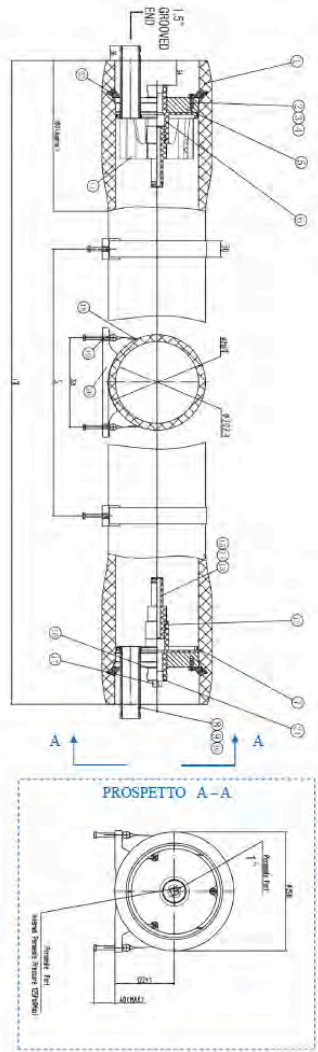


Ref	Description	Fam.	Subfam.	Disp. Stock	Price Euro
H8R081	MWG 8" MPV PLUG IN ABS FOR 300-1200 PSI	35	180	OK	3,04
H8R203	MWG 8" MPV LOCKING SEGMENT SCREW IN AISI 304	35	180	OK	17,12
H8R111	MWG 8" MPV PWT SEAL IN EPDM FOR 300÷1200 PSI	35	180	OK	1,76
H8R031	MWG 8" MPV SPRING PAD IN AISI 304 FOR LOCKING SEGMENT SCREW	35	180	OK	0,51
H8R041	MWG 8" MPV LOCKING SEGMENT IN AISI 304 FOR 300-450PSI	35	180	OK	19,02
H8R108	187x7 O-RING IN EPDM FOR ALL MWG 8" MPV8" MPV	35	180	OK	15,26
H8R109	MWG 8" MPV FEED CONCENTRATE PORT SEAL IN EPDM FOREND PORT 300÷1200 PSI	35	180	OK	4,47
H8R111	MWG 8" MPV PWT SEAL IN EPDM FOR 300÷1200 PSI	35	180	OK	1,76
H8R061	MWG 8" MPV THRUST CONE IN ABS FOR END PORT 300-450PSI	35	180	OK	66,56
H8R601	MWG 8" MPV 1,125" ADAPTER IN ABS FOR 300-450 PSI	35	180	OK	22,15
H8R651	MWG 8" MPV 1,125" ADAPTER PAD IN ABS	35	180	OK	21,17
H8R113	MWG 8" MPV 1,125" ADAPTER O-RING IN EPDM FOR 300÷1200 PSI	35	180	OK	3,58
H8R701	MWG 8" MPV HEAD ASSEMBLY END PORT 300 PSI	35	180	OK	545,36
H8R703	MWG 8" MPV HEAD ASSEMBLY END PORT 450 PSI	35	180	OK	734,89
H8R001	MWG 8" MPV SADDLE FOR 300-1200 PSI	35	180	OK	7,83
H8R005	MWG 8" MPV STRAP FOR 300-450 PSI L=530 MM	35	180	OK	22,15

Item	Ref	Quantity for each MPV	Material
2	H8R081	1	ABS
3	H8R203	6	AISI 304
4	H8R111	1	EPDM
5	H8R031	6	AISI 304
6	H8R041	6	AISI 304
9	H8R108	2	EPDM
10	H8R109	2	EPDM
12	H8R111	4	EPDM
13	H8R061	1	ABS
14 + 16	H8R601	2	ABS
15	H8R651	2	ABS
16	H8R113	4	EPDM
17	H8R701	2	
17	H8R703	2	
Not shown	H8R001	2 - 3	Rubber
Not shown	H8R005	2 - 3	AISI 304 - Rubber



### 8" Membrane Vessels End Port Series 600 E-8



- Fiberglass reinforced plastic pressure vessels series 600 E-8, white painted, UVA-ray proof material;
- Max operating pressure 600 psi (41 bar);
- European 2014/68/EU Directive compliant for pressure equipment (PED);
- Built in accordance with ASME code section X;
- Each vessel is factory tested at 1,5 times max operating pressure;
- Feed/concentrate 1,5" grooved end connections in super duplex steel AISI 2507;
- Permeate connections 1" BSPT F;
- Operating pH Range: 3 ÷ 11      Cleaning pH Range: 2 ÷ 12 (less than 30 minutes);
- Straps and saddles included (n.2 pcs);
- 1,125" membrane adapters included.

Ref.	Description	Fam.	Subfam.	Disp. Stock	Price Euro
H8E5D1	MWG RO VESSEL GROOVED END FRP 8" END-PORT 600 PSI1EL 1,5" - 1" BSPT F	35	180	OK	2073,29
H8E5D2	MWG RO VESSEL GROOVED END FRP 8" END-PORT 600 PSI2EL 1,5" - 1" BSPT F	35	180	OK	2112,11

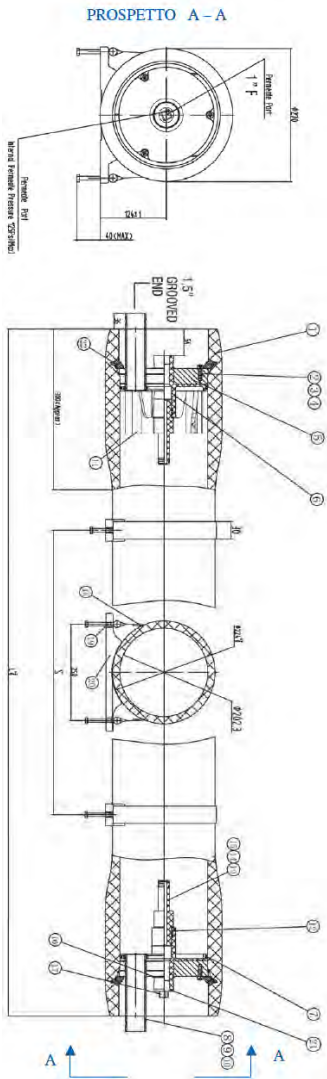
Ref.	Elements	L (mm)	S (mm)
H8E5D1	1 x 40"	1514	700
H8E5D2	2 x 40"	2530	1460

Ref.	Box: WxLxH.	Box: Qnt.	Box: Weight.	Pallet: WxLxH.	Pallet: Qnt.	Pallet: Weight.
H8E5D1						
H8E5D2						

Certificates	Manufacturer	Sectors
DM174-2004 CE	<b>MWG</b>	Industrial



## 8" Membrane Vessels End Port Series 1000 E-8



- Fiberglass reinforced plastic pressure vessels series 1000 E-8, white painted, UVA-ray proof material;
- Max operating pressure 1000 psi (69 bar);
- European 2014/68/EU Directive compliant for pressure equipment (PED);
- Built in accordance with ASME code section X;
- Each vessel is factory tested at 1,5 times max operating pressure;
- Feed/concentrate 1,5" grooved end connections in super duplex steel AISI 2507;
- Permeate connections 1" BSPT F;
- Operating pH Range: 3 ÷ 11      Cleaning pH Range: 2 ÷ 12 (less than 30 minutes);
- Straps and saddles included (n.2 pcs);
- 1,125" membrane adapters included.

Ref.	Description	Fam.	Subfam.	Disp. Stock	Price Euro
H8E5G1	MWG RO VESSEL GROOVED END FRP 8" END-PORT 1000 PSI1EL 1,5" - 1" BSPT F	35	180	OK	2248,88
H8E5G2	MWG RO VESSEL GROOVED END FRP 8" END-PORT 1000 PSI2EL 1,5" - 1" BSPT F	35	180	OK	2394,02
H8E5G3	MWG RO VESSEL GROOVED END FRP 8" END-PORT 1000 PSI3EL 1,5" - 1" BSPT F	35	180	OK	2620,00

Ref.	Elements	L (mm)	S (mm)
H8E5G1	1 x 40"	1514	700
H8E5G2	2 x 40"	2530	1460
H8E5G3	3 x 40"	3546	2080

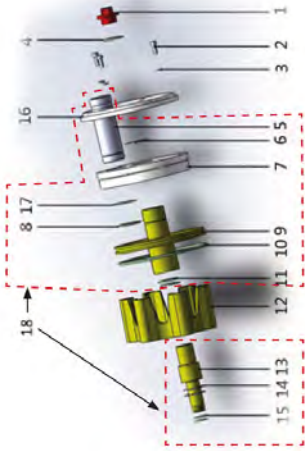
Ref.	Box: WxLxH	Box: Q.ty	Box: Weight	Pallet: WxLxH	Pallet: Q.ty	Pallet: Weight
H8E5G1						
H8E5G2						
H8E5G3						

Certificates	Manufacturer	Sectors
DM174-2004 CE	<b>MWG</b>	Industrial



8" End Port 600-1000-1200 Psi Vessels Spare Parts

Spare Parts



Ref	Description	Fam.	Subfam.	Disp. Stock	Price Euro
H8R081	MWG 8" MPV PLUG IN ABS FOR 300-1200 PSI	35	180	OK	3,04
H8R203	MWG 8" MPV LOCKING SEGMENT SCREW IN AISI 304	35	180	OK	17,12
H8R031	MWG 8" MPV SPRING PAD IN AISI 304 FOR LOCKING SEGMENT SCREW	35	180	OK	0,51
H8R111	MWG 8" MPV PWT SEAL IN EPDM FOR 300÷1200 PSI	35	180	OK	1,76
H8R109	MWG 8" MPV FEED CONCENTRATE PORT SEAL IN EPDM FOREND PORT 300÷1200 PSI	35	180	OK	4,47
H8R108	187x7 O-RING IN EPDM FOR ALL MWG 8" MPV8" MPV	35	180	OK	15,26
H8R111	MWG 8" MPV PWT SEAL IN EPDM FOR 300÷1200 PSI	35	180	OK	1,76
H8R603	MWG 8" MPV 1,125" ADAPTER IN ABS FOR 600-1200 PSI	35	180	OK	28,64
H8R613	MWG 8" MPV 1,5" ADAPTER IN ABS FOR 600-1200 PSI	35	180	OK	33,56
H8R651	MWG 8" MPV 1,125" ADAPTER PAD IN ABS	35	180	OK	21,17
H8R653	MWG 8" MPV 1,5" ADAPTER PAD IN ABS FOR 300-1200 PSI	35	180	OK	2,24
H8R113	MWG 8" MPV 1,125" ADAPTER O-RING IN EPDM FOR 300÷1200 PSI	35	180	OK	3,58
H8R115	MWG 8" MPV 1,5" ADAPTER O-RING IN EPDM FOR 300-1200 PSI	35	180	OK	1,57
H8R705	MWG 8" MPV HEAD ASSEMBLY END PORT 600 PSI	35	180	OK	781,30
H8R707	MWG 8" MPV HEAD ASSEMBLY END PORT 1000 PSI	35	180	OK	900,64
H8R001	MWG 8" MPV SADDLE FOR 300-1200 PSI	35	180	OK	7,83
H8R009	MWG 8" MPV STRAP FOR 600-1200 PSI L=580 MM	35	180	OK	24,61

Item	Ref.	Quantity for each MPV	Material
1	H8R081	1	ABS
2	H8R203	6	AISI 304
3	H8R031	6	AISI 304
4	H8R111	1	EPDM
8	H8R109	2	EPDM
10	H8R108	2	EPDM
11	H8R111	4	EPDM
13 + 15	H8R603	2	ABS
13 + 15	H8R613	2	ABS
14	H8R651	2	ABS
14	H8R653	2	ABS
15	H8R113	4	EPDM
15	H8R115	4	EPDM
18	H8R705	2	
18	H8R707	2	
Not shown	H8R001	2 - 3	Rubber
Not shown	H8R009	2 - 3	AISI 304 - Rubber



## 8" Side Port Vessels Feed/Concentrate Port Options

Each vessel 8" side port can have maximum 3 ports per each end, located in 4 different positions 90° among them. The drawing shows the numbers of different positions.

Each port can have three different dimensions:

D = 1 1/2" (standard connection)

E = 2"

F = 2 1/2"

G = 3"

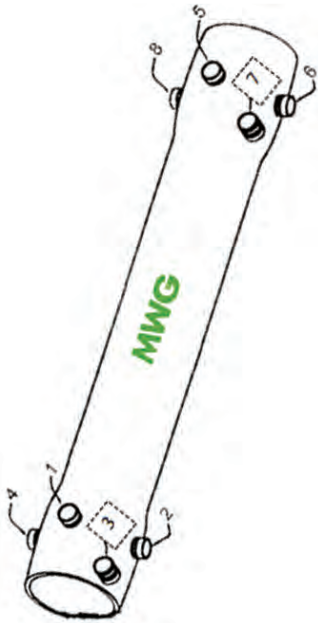
H = 4"

Note: a 2 1/2" port is not allowed at 90° from any other.

To determine the required configuration, identify the ports starting from N°1 with relevant dimension, complete this side and identify the opposite end.

Example: vessel with ports 1 & 5 connection 1 1/2", ports 2 & 6 connection 2".

The configuration is: 1D 5D 2E 6E



### Options for MWG 8" side port vessels

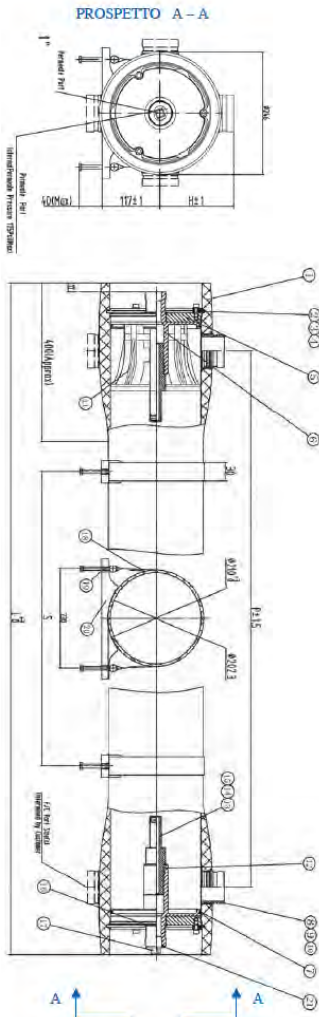
Vessel 8"	Vessel 8"	Add one extra port	Add one extra port	Add one extra port	Add one extra port
		1,5"	2"	2,5"	3"
Pressure (psi)	Material	Price Euro	Price Euro	Price Euro	Price Euro
300	AISI 316	40,27	55,94	76,07	98,45
450	AISI 316	49,22	67,12	87,26	107,40
600	Super Duplex 2507	67,12	89,50	111,87	138,72
1000	Super Duplex 2507	78,31	102,92	129,77	170,04
1200	Super Duplex 2507	87,26	111,87	138,72	178,99

Vessel 8"	Vessel 8"	UP GRADE port	from	UP GRADE port	from	UP GRADE port	from	UP GRADE port	from
		1,5"		2"		2,5"		3"	
Pressure (psi)	Material			Price Euro		Price Euro		Price Euro	
300	AISI 316			31,32		60,41		78,31	
450	AISI 316			35,80		64,88		89,50	
600	Super Duplex 2507			49,22		85,02		125,29	
1000	Super Duplex 2507			53,70		93,97		134,24	
1200	Super Duplex 2507			58,17		102,92		152,14	





## 8" Membrane Vessels Side Port Series 300 S-8



- Fiberglass reinforced plastic pressure vessels series 300 S-8, white painted, UVA-ray proof material;
- Max operating pressure 300 psi (21 bar);
- European 2014/68/EU Directive compliant for pressure equipment (PED);
- Built in accordance with ASME code section X;
- Each vessel is factory tested at 1,5 times max operating pressure;
- Feed/concentrate grooved end connections 1,5" or 2" (optional 2,5" or 3");
- Permeate connections 1" BSPT F;
- Operating pH Range: 3 ÷ 11      Cleaning pH Range: 2 ÷ 12 (less than 30 minutes);
- Straps and saddles included (n.2 pcs from 1 to 3 elements, n.3 pcs from 4 to 6 elements);
- 1,125" membrane adapters included;
- version from 2 to 7 ports (see list of options).

Ref. Connections 1,5"	Description	Fam.	Subfam.	Disp. Stock	Price Euro
H815B1	RO VESSEL FRP 8" SIDE-PORT 300 PSI 1EL 1D5D - 1"BSPT F	35	180	OK	1050,15
H817B1	RO VESSEL FRP 8" SIDE-PORT 300 PSI 1EL 1D7D - 1"BSPT F	35	180	OK	1050,15
H815B2	RO VESSEL FRP 8" SIDE-PORT 300 PSI 2EL 1D5D - 1"BSPT F	35	180	OK	1200,17
H817B2	RO VESSEL FRP 8" SIDE-PORT 300 PSI 2EL 1D7D - 1"BSPT F	35	180	OK	1200,17
H815B3	RO VESSEL FRP 8" SIDE-PORT 300 PSI 3EL 1D5D - 1"BSPT F	35	180	OK	1350,67
H817B3	RO VESSEL FRP 8" SIDE-PORT 300 PSI 3EL 1D7D - 1"BSPT F	35	180	OK	1350,67

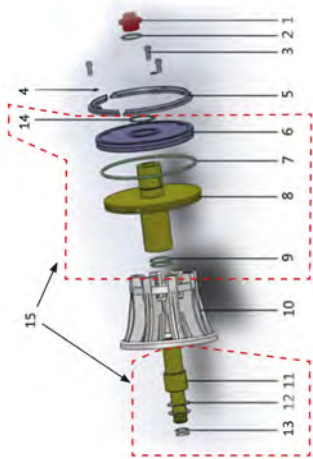
Ref. Connections 1,5"	Elements	L (mm)	P (mm)	S (mm)	Orient. 0°-180°
H815B1	1 x 40"	1494	1194	700	0°
H817B1	1 x 40"	1494	1194	700	180°
H815B2	2 x 40"	2510	2210	1460	0°
H817B2	2 x 40"	2510	2210	1460	180°
H815B3	3 x 40"	3526	3226	2080	0°
H817B3	3 x 40"	3526	3226	2080	180°

Certificates	Manufacturer	Sectors
DM174-2004 CE	<b>MWG</b>	Industrial



8" Side Port 300-450 Psi Vessels spare parts

Spare parts

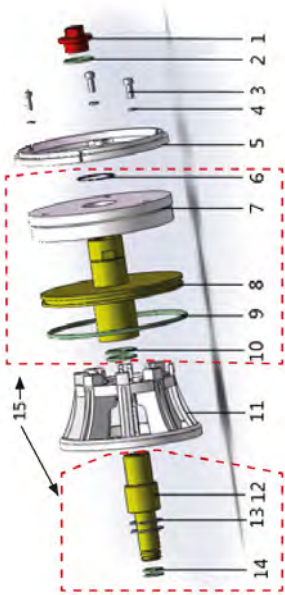


Ref	Description	Fam.	Subfam.	Disp. Stock	Price Euro
H8R081	MWG 8" MPV PLUG IN ABS FOR 300-1200 PSI	35	180	OK	3,04
H8R111	MWG 8" MPV PWT SEAL IN EPDM FOR 300÷1200 PSI	35	180	OK	1,76
H8R203	MWG 8" MPV LOCKING SEGMENT SCREW IN AISI 304	35	180	OK	17,12
H8R031	MWG 8" MPV SPRING PAD IN AISI 304 FOR LOCKING SEGMENT SCREW	35	180	OK	0,51
H8R041	MWG 8" MPV LOCKING SEGMENT IN AISI 304 FOR 300-450PSI	35	180	OK	19,02
H8R108	187x7 O-RING IN EPDM FOR ALL MWG 8" MPV8" MPV	35	180	OK	15,26
H8R111	MWG 8" MPV PWT SEAL IN EPDM FOR 300÷1200 PSI	35	180	OK	1,76
H8R071	MWG 8" MPV THRUST CONE IN ABS FOR SIDE PORT 300-450 PSI	35	180	OK	68,80
H8R601	MWG 8" MPV 1,125" ADAPTER IN ABS FOR 300-450 PSI	35	180	OK	22,15
H8R611	MWG 8" MPV 1,5" ADAPTER IN ABS FOR 300-450 PSI	35	180	OK	30,20
H8R651	MWG 8" MPV 1,125" ADAPTER PAD IN ABS	35	180	OK	21,17
H8R653	MWG 8" MPV 1,5" ADAPTER PAD IN ABS FOR 300-1200 PSI	35	180	OK	2,24
H8R113	MWG 8" MPV 1,125" ADAPTER O-RING IN EPDM FOR 300÷1200 PSI	35	180	OK	3,58
H8R115	MWG 8" MPV 1,5" ADAPTER O-RING IN EPDM FOR 300-1200 PSI	35	180	OK	1,57
H8R711	MWG 8" MPV HEAD ASSEMBLY SIDE PORT 300 PSI WITH 1,125" ADAPTER	35	180	OK	659,48
H8R713	8" MPV HEAD ASSEMBLY SIDE PORT 450 PSI WITH 1,125" ADAPTER	35		OK	620,52
H8R001	MWG 8" MPV SADDLE FOR 300-1200 PSI	35	180	OK	7,83
H8R005	MWG 8" MPV STRAP FOR 300-450 PSI L=530 MM	35	180	OK	22,15

Item	Ref	Quantity for each MPV	Material
1	H8R081	1	ABS
2	H8R111	1	EPDM
3	H8R203	6	AISI 304
4	H8R031	6	AISI 304
5	H8R041	6	AISI 304
7	H8R108	2	EPDM
9	H8R111	4	EPDM
10	H8R071	1	ABS
11 + 13	H8R601	2	ABS
11 + 13	H8R611	2	ABS
12	H8R651	2	ABS
12	H8R653	2	ABS
13	H8R113	4	EPDM
13	H8R115	4	EPDM
15	H8R711	2	
15	H8R713	2	
Not shown	H8R001	2 - 3	Rubber
Not shown	H8R005	2 - 3	AISI 304 - Rubber



## 8" Side Port 600-1000-1200 Psi Vessels Spare Parts



Ref	Description	Fam.	Subfam.	Disp. Stock	Price Euro
H8R081	MWG 8" MPV PLUG IN ABS FOR 300-1200 PSI	35	180	OK	3,04
H8R111	MWG 8" MPV PWT SEAL IN EPDM FOR 300÷1200 PSI	35	180	OK	1,76
H8R203	MWG 8" MPV LOCKING SEGMENT SCREW IN AISI 304	35	180	OK	17,12
H8R031	MWG 8" MPV SPRING PAD IN AISI 304 FOR LOCKING SEGMENT SCREW	35	180	OK	0,51
H8R108	187x7 O-RING IN EPDM FOR ALL MWG 8" MPV8" MPV	35	180	OK	15,26
H8R111	MWG 8" MPV PWT SEAL IN EPDM FOR 300÷1200 PSI	35	180	OK	1,76
H8R603	MWG 8" MPV 1,125" ADAPTER IN ABS FOR 600-1200 PSI	35	180	OK	28,64
H8R613	MWG 8" MPV 1,5" ADAPTER IN ABS FOR 600-1200 PSI	35	180	OK	33,56
H8R651	MWG 8" MPV 1,125" ADAPTER PAD IN ABS	35	180	OK	21,17
H8R653	MWG 8" MPV 1,5" ADAPTER PAD IN ABS FOR 300-1200 PSI	35	180	OK	2,24
H8R113	MWG 8" MPV 1,125" ADAPTER O-RING IN EPDM FOR 300÷1200 PSI	35	180	OK	3,58
H8R115	MWG 8" MPV 1,5" ADAPTER O-RING IN EPDM FOR 300-1200 PSI	35	180	OK	1,57
H8R001	MWG 8" MPV SADDLE FOR 300-1200 PSI	35	180	OK	7,83
H8R009	MWG 8" MPV STRAP FOR 600-1200 PSI L=580 MM	35	180	OK	24,61

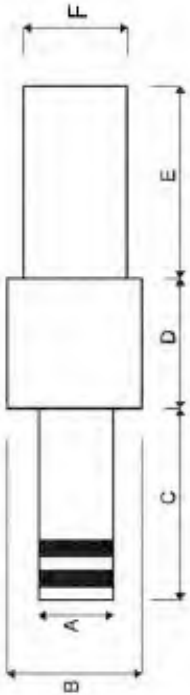
Item	Ref	Quantity for each MPV	Material
1	H8R081	1	ABS
2	H8R111	1	EPDM
3	H8R203	6	AISI 304
4	H8R031	6	AISI 304
9	H8R108	2	EPDM
10	H8R111	4	EPDM
12 + 14	H8R603	2	ABS
12 + 14	H8R613	2	ABS
13	H8R651	2	ABS
13	H8R653	2	ABS
14	H8R113	4	EPDM
14	H8R115	4	EPDM
Not shown	H8R001	2 - 3	Rubber
Not shown	H8R009	2 - 3	AISI 304 - Rubber



## 8" Membrane Adapters

Suitable for 8" membranes;

Material PVC complete with o-rings.



Ref	Description	Fam.	Subfam.	Disp. Stock	Price Euro
H8R601	MWG 8" MPV 1,125" ADAPTER IN ABS FOR 300-450 PSI	35	180	OK	22,15
H8R611	MWG 8" MPV 1,5" ADAPTER IN ABS FOR 300-450 PSI	35	180	OK	30,20
H8R603	MWG 8" MPV 1,125" ADAPTER IN ABS FOR 600-1200 PSI	35	180	OK	28,64
H8R613	MWG 8" MPV 1,5" ADAPTER IN ABS FOR 600-1200 PSI	35	180	OK	33,56

Ref	Material	A	B	C	D	E	F	For Membrane	For Vessel
H8R601	ABS	28,3 (1,125")	46	70	38	70	36,5	BW30-400 or similar	MWG
H8R611	ABS	38 (1,5")	50	70	36	70	36,55	BW30LE440 or similar	MWG
H8R603	ABS	28,3 (1,125")	46	70	38	53	36,5	BW30-400 or similar	MWG
H8R613	ABS	38 (1,5")	50	70	36	53	36,55	BW30LE440 or similar	MWG

Ref Adatters	Ref Ring	O-Ring	Description	Fam.	Subfam.	Disp. Stock	Price Euro
H8R601	H8R113		MWG 8" MPV 1,125" ADAPTER O-RING IN EPDM FOR 300÷1200 PSI	35	180		3,58
H8R611	H8R115		MWG 8" MPV 1,5" ADAPTER O-RING IN EPDM FOR 300-1200 PSI	35	180		1,57
H8R603	H8R113		MWG 8" MPV 1,125" ADAPTER O-RING IN EPDM FOR 300÷1200 PSI	35	180		3,58
H8R613	H8R115		MWG 8" MPV 1,5" ADAPTER O-RING IN EPDM FOR 300-1200 PSI	35	180		1,57

Certificates	Manufacturer	Sectors
		Industrial



## Blank Adapters

### Blank Adapter Kit

- Suitable for 8" membranes; - Material PVC complete with o-rings.

Ref	Description	Ref O-Ring	Fam.	Subfam.	Disp. Stock	Price Euro
EA026A	KIT ADAPTER 1.125" FOR MWG VESSEL	EA264	35	190	OK	40,58

Ref	A (mm)	A (Inch)	For Membrane	For Vessel
EA026A	28,5	1,125"	BW30-400 or similar	MWG



### Blank Adapter

- Material PVC

Ref	Description	Fam.	Subfam.	Disp. Stock	Price Euro
EA028	KIT BLANK ADAPTER 1.125" PVC FEMALE	35	180	OK	14,04

Ref	A (mm)	A (Inch)	For Membrane
EA028	28,5	1,125"	BW30-400 or similar

Certificates	Manufacturer	Sectors
		Industrial



## Grooved end couplings in cast iron - 1000 psi

- Complete with gaskets in EPDM; Max operating pressure 1000 psi (69 bar)



Ref.	Description	Fam.	Subfam.	Disp. Stock	Price Euro
EA030	GROOVED END TYPE COUPLING CAST-IRON 1000 PSI - 1" (33.4MM)	35	180	OK	27,89
EA032	GROOVED END COUPLING CAST-IRON 1000 PSI - 1"1/4 (42,2 MM)	35	180	OK	26,43
EA031	GROOVED END COUPLING CAST-IRON 1000 PSI - 1"1/2 (48,3 MM)	35	180	OK	29,26
EA033	GROOVED END COUPLING CAST-IRON 1000 PSI - 2" (60,3MM)	35	180	OK	36,16
EA034	GROOVED END COUPLING CAST-IRON 1000 PSI - 2"1/2 (73.0 MM)	35	180	OK	36,22
EA035	GROOVED END COUPLING CAST-IRON 1000 PSI-3" (88,9 MM)	35	180	OK	51,12

Certificates	Manufacturer	Sectors
		Industrial

## Grooved end couplings in SS 304- 1200 Psi

- Complete with gaskets in EPDM; Max operating pressure 1200 psi (83 bar).



Ref.	Description	Fam.	Subfam.	Disp. Stock	Price Euro
EA190	GROOVED END COUPLING AISI 304 1200 PSI -3/4" (26,7MM)	35	180	OK	37,92
EA191	GROOVED END COUPLING AISI 304 1200 PSI -1" (33,7 MM)	35	180	OK	38,74
EA192	GROOVED END COUPLING AISI 304 1200 PSI -1"1/4 (42,4 MM)	35	180	OK	49,54
EA193	GROOVED END COUPLING AISI 304 1200 PSI -1"1/2 (48,3 MM)	35	180	OK	55,51
EA194	GROOVED END COUPLING AISI 304 1200 PSI -2" (60,3 MM)	35	180	OK	66,26
EA195	GROOVED END COUPLING AISI 304 1200 PSI -2"1/2 (73,0 MM)	35	180	OK	79,52
EA196	GROOVED END COUPLING AISI 304 1200 PSI -3" (88,9 MM)	35	180	OK	110,65

Certificates	Manufacturer	Sectors
		Industrial



## Grooved end couplings in SS 304- 350 psi



- Complete with gaskets in EPDM; Max operating pressure 350 psi (23 bar).

Ref.	Description	Fam.	Subfam.	Disp. Stock	Price Euro
EA070	GROOVED END COUPLING AISI 304 350 PSI - 3/4" ( 26,7 MM )	35	180	OK	19,40
EA071	GROOVED END COUPLING AISI 304 350 PSI - 1" ( 33,4MM )	35	180	OK	21,01
EA072	GROOVED END COUPLING AISI 304 350 PSI - 1"1/4 ( 42,2 MM )	35	180	OK	27,56
EA073	GROOVED END COUPLING AISI 304 350 PSI - 1"1/2 ( 48,3 MM )	35	180	OK	28,76
EA074	GROOVED END COUPLING AISI 304 350 PSI - 2" ( 60,3MM )	35	180	OK	34,90
EA075A	GROOVED END COUPLING AISI 304 350 PSI -2"1/2 (73,0MM)	35	180	OK	44,64
EA075	GROOVED END COUPLING AISI 304 350 PSI - 3" O.D. (76.1 MM )	35	180	OK	44,64
EA076	GROOVED END COUPLING AISI 304 350 PSI - 3" ( 88.9MM )	35	180	OK	56,50

Certificates	Manufacturer	Sectors
		Industrial

## Grooved end couplings in Nylon - 300 psi



- Complete with gaskets in EPDM;
- Max operating pressure 300 psi (21 bar).

Ref.	Description	Fam.	Subfam.	Disp. Stock	Price Euro
EA550	GROOVED END COUPLING NYLON 300 PSI-1" (33,4 MM) -DN25	35	180	OK	17,70
EA551	GROOVED END COUPLING NYLON 300 PSI-1" 1/4 (42,2 MM) - DN32	35	180	OK	21,24
EA552	GROOVED END COUPLING NYLON 300 PSI-1" 2" (48,3 MM)- DN40	35	180	OK	29,04
EA553	GROOVED END COUPLING NYLON 300 PSI-1" 1/2 (60,3 MM) - DN50	35	180	OK	26,96
EA554	GROOVED END COUPLING NYLON 300 PSI-2" 1/2 (73,0MM) - DN65	35	180	OK	30,46
EA555	GROOVED END COUPLING NYLON 300 PSI-3" (88,9 MM) -DN80	35	180	OK	39,77

Ref.	For our stub pipes	Nominal diameter (pollici)	Nominal diameter (mm)
EA550		1"	33,4
EA551	EA601	1¼"	42,2
EA552	EA602	1½"	48,3
EA553	EA603	2"	60,3
EA554	EA604	2½"	73,0
EA555	EA605	3"	88,9

Certificates	Manufacturer	Sectors
		Industrial



## Stub Pipes to Weld

- Stub pipe with end part to weld;
- Material AISI 316;
- P max 600 psi (42 bar).



Ref	Description	Fam.	Subfam.	Disp. Stock	Price Euro
EA080	STUBE PIPE TO WELD CUT GROOVE AISI 316 - 3/4" (26.7 x 60 MM - SCH 40)	35	180	OK	13,55
EA081	STUBE PIPE TO WELD CUT GROOVE AISI 316 - 1" (33,7x 60 MM - SCH 40)	35	180	OK	16,05
EA082	STUBE PIPE TO WELD CUT GROOVE AISI 316 - 1 1/4 (42.4 x 60 MM - SCH 40)	35	180	OK	19,21
EA083	STUBE PIPE TO WELD CUT GROOVE AISI 316 - 1 1/2 (48.3 x 60 MM - SCH 40)	35	180	OK	23,66
EA084	STUBE PIPE TO WELD CUT GROOVE AISI 316 - 2" (60,3x 80 MM - SCH 40)	35	180	OK	37,58
EA085A	STUBE PIPE TO WELD CUT GROOVE AISI 316 - 2 1/2 (73,0 x 90 MM - SCH 40)	35	180	OK	49,40
EA086	STUBE PIPE TO WELD CUT GROOVE AISI 316 - 3" (88,9x 100 MM - SCH 40)	35	180	OK	68,37

Ref	ANSIB36.10 Schedules	Nominal diameter (mm)	Lenght (mm)
EA080	40	26,7	60
EA081	40	33,4	60
EA082	40	42,2	60
EA083	40	48,3	60
EA084	40	60,3	80
EA085A	40	73,0	90
EA086	40	88,9	100

Certificates	Manufacturer	Sectors
		Industrial





## Threaded Stub Pipes

- Stub pipe with end part BSPP threaded;
- Material AISI 316;
- P max 600 psi (42 bar).

Ref	Description	Fam.	Subfam.	Disp. Stock	Price Euro
EA050	THREADED STUBE PIPE CUT GROOVE AISI 316 - 3/4" M(26,7 x 65 MM)	35	180	OK	20,00
EA051	THREADED STUBE PIPE CUT GROOVE AISI 316 - 1" M (33,7 x 65 MM)	35	180	OK	22,74
EA052	THREADED STUBE PIPE CUT GROOVE AISI 316 - 1"1/4 M(42,4 x 80 MM)	35	180	OK	33,43
EA053	THREADED STUBE PIPE CUT GROOVE AISI 316 - 1"1/2 M(48,3 x 100 MM)	35	180	OK	40,08
EA054	THREADED STUBE PIPE CUT GROOVE AISI 316 - 2" M (60,3 x 100 MM)	35	180	OK	51,70
EA055	THREADED STUBE PIPE CUT GROOVE AISI 316 - 2"1/2 M(76,1 x 100 MM)	35	180	OK	68,94

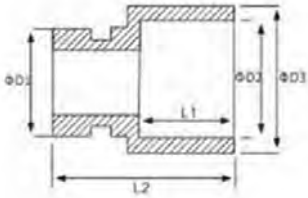
Certificates	Manufacturer	Sectors
		Industrial



## Stub Pipes

### Stub Pipes to Glue

- Stub pipes with end part to glue and the other end part for grooved end couplings;
- In PVC-U.
- PN = 4 bar.



Ref.	Description	Fam.	Subfam.	Disp. Stock	Price Euro
EA601	PVC-U STUBE PIPE DN32 D32	35	180	OK	7,32
EA602	PVC-U STUBE PIPE DN40 D50	35	180	OK	9,08
EA603	PVC-U STUBE PIPE DN50 D63	35	180	OK	12,32
EA604	PVC-U STUBE PIPE DN65 D75	35	180	OK	14,98
EA605	PVC-U STUBE PIPE DN80 D90	35	180	OK	19,91

Ref.	For our couplings	D1 (mm)	D2 (mm)	D3 (mm)	L1 (mm)	L2 (mm)
EA601	EA551	42	32	40	22	64
EA602	EA552	48	50	60	31	66
EA603	EA553	60	63	74	38	76
EA604	EA554	73	75	87	43	79
EA605	EA555	89	90	104	51	85

Certificates	Manufacturer	Sectors
		Industrial



## R.O. PLUS Electric Control Panel for R.O. Systems



- With double conductivity meter (feed and permeate);
- In this way you can:
- Command the high pressure pump and the two solenoid valves for feed interception and flushing;
- Manage and program the most common measurement and signal instruments installed on the system, with highly flexible ways of working;
- Manage and setting the automatic cleaning system;
- Conform to CE Directives;
- Microprocessor;
- LCD display 2 x 16 digit;
- Power supply 230VAC 50-60Hz;
- Available in ABS box with protection class IP65 (ref. DG101 and ref. DG103) or Rack version (ref. DG101R and ref. DG103R);
- Supplied without conductivity probes.
- **RACK Version: Height 180 (mm), Width 220 (mm), Dept 80 (mm)**

### Operated functions:

- High pressure pump (max power 736 W);
- Feed electric valve;
- Fluxing electric valve;
- Cleaning electric valve;
- Pump for antiscaling.

### Conductivity meter:

- VERSION 1: RO PLUS LC (ref. DG101 ABS box IP65 and ref. DG101R Rack version).
- With conductivity meter for feed  $000 \div 9,99$  mS/cm and conductivity meter for permeate  $00,0 \div 99,9$   $\mu$ S/cm.
- Warning: with this model you must use one Stainless Steel probe K=1 (ref. DG121) for feed and one Stainless Steel probe for permeate (ref. DG122), to buy separately.
- VERSION 2: RO PLUS HC (ref. DG103 ABS box IP65 and ref. DG103R Rack version)
- With conductivity meter for feed  $00,0 \div 9,99$  mS/cm and conductivity meter for permeate  $00,0 \div 999$   $\mu$ S/cm
- Warning: with this model you must use n.2 graphite probes K=1 (ref. DG123), one for the feed and one for the permeate, to buy separately.
- The version is displayed turning on the instrument.


**External input receivable:**

- Low permeate storage tank level;
- High permeate storage tank level;
- Minimum pressure meter;
- Maximum pressure meter;
- Pretreatment (filter or softener) in service;
- Heat pump;
- Failed dosage alarm;
- Stand-by.

**Alarms:**

- High conductivity; - Low pressure; - High pressure; - Heat pump; - HIGH LOW CONTACT.

Ref	Description	Fam.	Subfam.	Disp. Stock	Price Euro
DG101	MWG R.O. PLUS LC CONTROL PANEL	30	185	OK	689,14
DG103	MWG R.O. PLUS HC CONTROL PANEL	30	185	OK	689,14
DG101R	MWG R.O. PLUS LC RACK CONTROL PANEL	30	185	OK	698,98
DG103R	MWG R.O. PLUS HC RACK CONTROL PANEL	30	185	OK	689,14
DG121	MWG CONDUCTIVITY PROBE INOX K=1 CONN.3/4" W/CABLE	30	185	OK	111,20
DG122	MWG CONDUCTIVITY PROBE INOX K=0.1 CONN.3/4" W/CABLE	30	185	OK	111,20
DG123	MWG CONDUCTIVITY PROBE CARBON K=1 CONN.3/4" W/CABLE	30	185	OK	118,52

Ref	Box: WxLxH.	Box: Qnt.	Box: Weight.	Pallet: WxLxH.	Pallet: Qnt.	Pallet: Weight.
DG101						
DG103						
DG101R						
DG103R						
DG121						
DG122						
DG123						

Certificates	Manufacturer	Sectors
CE	<b>MWG</b>	Commercial, Industrial



## In-Out 3/8" Rotary Pumps for R.O.

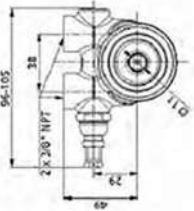
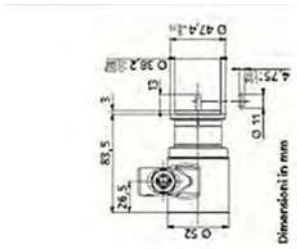


- Rotary vane pumps for R.O. systems, direct connection V-band clamp to motor;
- Housing material brass or AISI 303, security by-pass on show models;
- IN-OUT connections 3/8" F BSPT;
- T max = 50°C;
- Service life = almost 4.000 hours (with P=10 bar and good operating conditions).

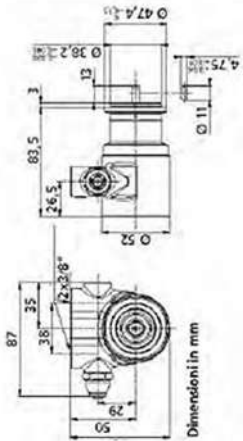
Ref	Description	Fam.	Subfam.	Disp. Stock	Price Euro
DE804A	MWG ROTARY PUMP RO 50 BRASS WITH BYPASS 3/8" GAS	30	170	NO	111,22
DE805A	MWG ROTARY PUMP RO 150 BRASS WITH BYPASS 3/8" GAS	30	170	OK	106,67
DE806A	MWG ROTARY PUMP RO 200 BRASS WITH BYPASS 3/8" GAS	30	170	OK	106,67
DE807A	MWG ROTARY PUMP RO 300 BRASS WITH BYPASS 3/8" GAS	30	170	OK	106,67
DE808A	MWG ROTARY PUMP RO 400 BRASS WITH BYPASS 3/8" GAS	30	170	OK	106,67
DE827A	MWG ROTARY PUMP RO 300 AISI W/BY PASS 3/8" GAS	30	170	OK	174,35
DE828A	MWG ROTARY PUMP RO 400 AISI W/BY PASS 3/8" GAS	30	170	OK	174,35
DE811A	MWG ROTARY PUMP RO 200 BRASS 3/8" GAS	30	170	OK	103,14
DE812A	MWG ROTARY PUMP RO 300 BRASS 3/8" GAS	30	170	OK	103,14
DE813A	MWG ROTARY PUMP RO 400 BRASS 3/8" GAS	30	170	OK	103,14
DE832A	MWG ROTARY PUMP RO 300 AISI 3/8" GAS	30	170	OK	172,18
DE833A	MWG ROTARY PUMP RO 400 AISI 3/8" GAS	30	170	OK	134,75



## In-Out 3/8" Rotary Pumps for R.O.



Pompe in ottone



Pompe in acciaio



Ref	Connections	Material	Flow 7 bar (l/h)	Flow 14 bar (l/h)
DE804A	BSPT	Brass	65	55
DE805A	BSPT	Brass	165	150
DE806A	BSPT	Brass	225	206
DE807A	BSPT	Brass	334	315
DE808A	BSPT	Brass	434	415
DE827A	BSPT	AISI 303	334	315
DE828A	BSPT	AISI 303	434	415
DE811A	BSPT	Brass	225	206
DE812A	BSPT	Brass	334	315
DE813A	BSPT	Brass	434	415
DE832A	BSPT	AISI 303	334	315
DE833A	BSPT	AISI 303	434	415

Certificates	Manufacturer	Sectors
DM174-2004	<b>MWG</b>	Domestic, Commercial



## In-Out 1/2" Rotary Pumps for R.O.

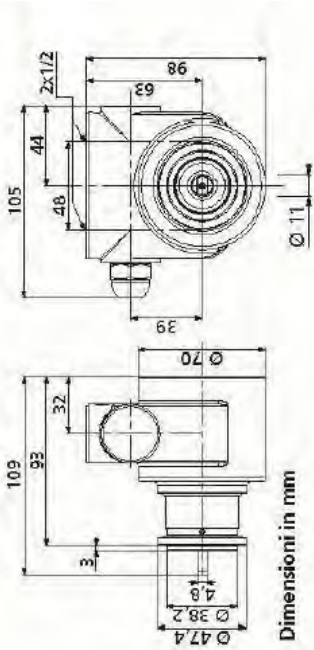
- Rotary vane pumps for R.O. systems, direct connection V-band clamp to motor;
- Housing material brass or AISI 303;
- IN-OUT Gas connections 1/2" F BSPT;
- T max = 50°C;
- Service life = almost 4.000 hours (with P=10 bar and good operating conditions).



Ref	Description	Fam.	Subfam.	Disp. Stock	Price Euro
DE809A	MWG ROTARY PUMP RO 600 BRASS WITH BYPASS 1/2" GAS	30	170	OK	194,94
DE810A	MWG ROTARY PUMP RO 800 BRASS WITH BYPASS 1/2" GAS	30	170	OK	194,94
DE814A	MWG ROTARY PUMP RO 1000 BRASS WITH BYPASS 1/2" GAS	30	170	OK	200,36
DE817A	MWG ROTARY PUMP RO 600 BRASS 1/2" GAS	30	170	OK	191,23
DE818A	MWG ROTARY PUMP RO 800 BRASS 1/2" GAS	30	170	OK	191,23
DE819A	MWG ROTARY PUMP RO 1000 BRASS 1/2" GAS	30	170	OK	191,23
DE801A	MWG ROTARY PUMP RO 600 MAXI AISI W/BY PASS 1/2" GAS	30	170	OK	286,80
DE802A	MWG ROTARY PUMP RO 800 MAXI AISI W/BY PASS 1/2" GAS	30	170	OK	286,80
DE803A	MWG ROTARY PUMP RO 1000 MAXI AISI W/BY PASS 1/2" GAS	30	170	OK	286,80
DE837A	MWG ROTARY PUMP RO 600 MAXI AISI 1/2" GAS	30	170	OK	256,68
DE838A	MWG ROTARY PUMP RO 800 MAXI AISI 1/2" GAS	30	170	OK	256,68
DE839A	MWG ROTARY PUMP RO 1000 MAXI AISI 1/2" GAS	30	170	OK	260,25



## In-Out 1/2" Rotary Pumps for R.O.



Ref	Connections	Material	Flow 7 bar (l/h)	Flow 14 bar (l/h)
DE809A	BSPT	Brass	620	797
DE810A	BSPT	Brass	820	797
DE814A	BSPT	Brass	1020	997
DE817A	BSPT	Brass	620	597
DE818A	BSPT	Brass	820	797
DE819A	BSPT	Brass	1020	997
DE801A	BSPT	AISI 303	620	597
DE802A	BSPT	AISI 303	820	797
DE803A	BSPT	AISI 303	1020	997
DE837A	BSPT	AISI 303	620	597
DE838A	BSPT	AISI 303	820	797
DE839A	BSPT	AISI 303	1020	997

Certificates	Manufacturer	Sectors
DM174-2004	<b>MWG</b>	Domestic, Commercial, Industrial





## Motors Direct Connection for Rotary Pumps

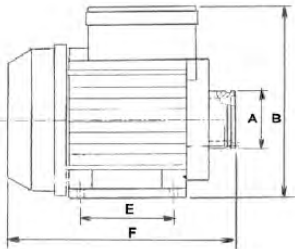
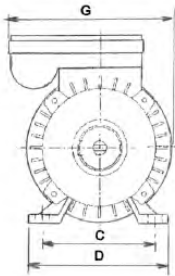


- Single phase motors direct connection for rotary vane pumps;
- Complete with thermic protection (our ref. DE845 has an automatic reset thermal protection when the temperature decreases);
- Power supply 220V - 50 Hz.

Ref	Description	Fam.	Subfam.	Disp. Stock	Price Euro
DE850	MOTOR 300W-230V-50Hz SINGLE PHASE DIRECT CONNECTIONS	30	170	OK	208,38
DE845	MOTOR 550W-230V-50Hz 4 POLES SINGLE PHASE DIRECTCONNECTIONS	30	170	OK	357,52

Ref	A (mm)	B (mm)	C (mm)	D (mm)	E (mm)	F (mm)	G (mm)
DE850	47	156	97	120	80	200	138
DE845	44	205	*	172	*	241	*

\* Not applicable: for further details, please consult our Technical Department.



Ref	Electrical Input (a)	RPM	IP Protection	For Pumps
DE850	1,6	1.300	IP 44	RO 200 RO 300
DE845	4,2	1.360	IP 55	RO 400 RO 600

Certificates	Manufacturer	Sectors
CE		Domestic, Commercial, Industrial



## Motors for Rotary Pumps for R.O. 300-400-600-800-1000

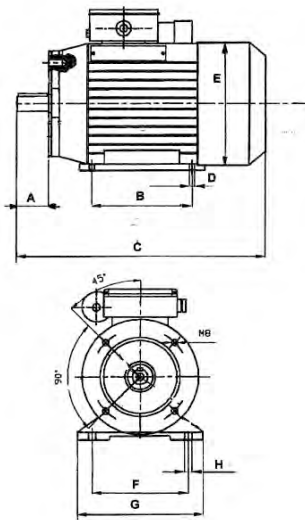
- Range of single and three phase motor for application with rotary vane pumps, using coupling and adapter;
- 4 poles motor, power supply 220V - 50 Hz single phase, 380V - 50 Hz three phase;
- Protection class IP55;



Ref.	Description	Fam.	Subfam.	Disp. Stock	Price Euro
DE860	MOTOR 1/2 CV-M71-4POLI 220V/50HZ SINGLE PHASE B3/B14	30	170	OK	313,76
DE861	MOTOR 3/4 CV-M80-4POLI 220V/50HZ SINGLE PHASE B3/B14	30	170	OK	345,13
DE862	MOTOR 1 CV-M80-4POLI 220V/50HZ SINGLE PHASE B3/B1	30	170	OK	443,18
DE863	MOTOR 1/2 CV-M71 4 POLI 220/380V-50HZ TRIPHASE B3/B14	30	170	OK	266,69
DE864	MOTOR 3/4 CV-M80 4 POLI 220/380V-50HZ TRIPHASE B3/B14	30	170	OK	290,22
DE865	MOTOR 1 CV-M80 4 POLI 220/380V-50HZ TRIPHASE B3/B14	30	170	OK	376,51

Model	A (mm)	B (mm)	C (mm)	D (mm)	E (mm)	F (mm)	G (mm)	H (mm)
0,5 CV	30	90	222	7	141	112	142	10
0,75 CV	40	100	266	10	150	125	160	13
1 CV	40	100	306	10	150	125	160	13

Ref.	Power (cv)	Power (w)	Electrical Input (a)	RPM	For pump
DE860	0,5	370	3,1	1360	RO 300 RO 400
DE861	0,75	550	3,9	1360	RO 600
DE862	1	750	5,6	1370	RO800 RO1000
DE863	0,5	370	2,2	1360	RO 300 RO 400
DE864	0,75	550	2,8	1360	RO 600
DE865	1	750	3,5	1360	RO800 RO1000



Power Ref	Coupling Ref	Adapter Ref
DE860	DE872	DE871
DE861	DE874	DE873
DE862	DE874	DE873
DE863	DE872	DE871
DE864	DE874	DE873
DE865	DE874	DE873

Certificates	Manufacturer	Sectors
CE		Domestic, Commercial, Industrial



## Adapter Couplings and Adapters for Rotary Pumps Models R.O. 300-400-600-800-1000



Ref	Description	Fam.	Subfam.	Disp. Stock	Price Euro
DE871	ADAPTER GR.71 -B3/B14	30	170	OK	17,40

Ref	Description	Fam.	Subfam.	Disp. Stock	Price Euro
DE873	ADAPTER GR.80-B3/B14	30	170	OK	20,71



Ref	Description	Fam.	Subfam.	Disp. Stock	Price Euro
DE872	COUPLING GR.71	30	170	OK	20,09

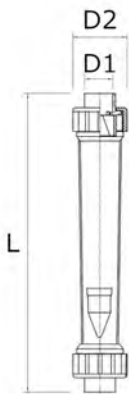


Ref	Description	Fam.	Subfam.	Disp. Stock	Price Euro
DE874	COUPLING GR.80	30	170	OK	36,74



## MWG Flowmeters in AS

- Flowmeters with wide range of measuring scale and of end connections ( d20 ÷ d63 ), easy to use, good level of accuracy and very limited maintenance;
- Standard fluid = water; - Measuring tube in transparent Acrylonitrile Styrene; float, fittings and nut in ABS; seal in EPDM;
- Maximum working pressure with water up to 25°C = 10 bar; - 60°C = 1,5 bar - Temperature range = 5 ÷ 60°C.



D1	L	D2
20	280	45
32	380	68
63	430	98

Ref.	Description	Connect.	Fam.	Subfam.	Disp. Stock	Price Euro
DG701	MWG CLEAR FLOWMETER TO GLUE IN AS D=20 MM EPDM 25-250 L/H FLOAT IN ABS	d20	30	186	OK	25,26
DG703	MWG CLEAR FLOWMETER TO GLUE IN AS D=20 MM EPDM 60-600 L/H FLOAT IN ABS	d20	30	186	OK	25,26
DG705	MWG CLEAR FLOWMETER TO GLUE IN AS D=32 MM EPDM 100-1000 L/H FLOAT IN ABS	d32	30	186	OK	40,99
DG707	MWG CLEAR FLOWMETER TO GLUE IN AS D=32 MM EPDM 160-1600 L/H FLOAT IN ABS	d32	30	186	OK	40,99
DG709	MWG CLEAR FLOWMETER TO GLUE IN AS D=32 MM EPDM 250-2500 L/H FLOAT IN ABS	d32	30	186	OK	40,99
DG711	MWG CLEAR FLOWMETER TO GLUE IN AS D=63 MM EPDM 400-4000 L/H FLOAT IN ABS	d63	30	186	OK	92,59
DG713	MWG CLEAR FLOWMETER TO GLUE IN AS D=63 MM EPDM 600-6000 L/H FLOAT IN ABS	d63	30	186	OK	92,59
DG715	MWG CLEAR FLOWMETER TO GLUE IN AS D=63 MM EPDM 1000-10000 L/H FLOAT IN ABS	d63	30	186	OK	92,59

Certificates	Manufacturer	Sectors
	<b>MWG</b>	Commercial, Industrial

**ACCESSORIES:** Threaded connections not included, to order separately.

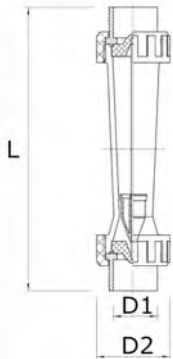
Ref.	Description	Fam.	Subfam.	Disp. Stock	Price Euro
DG720	MWG THREADED CONNECTION BSPP 1/2" FEMALE IN ABS	30	186	OK	6,83
DG722	MWG THREADED CONNECTION BSPP 3/4" FEMALE IN ABS	30	186	OK	6,83
DG724	MWG THREADED CONNECTION BSPP 1" FEMALE IN ABS	30	186	OK	9,49
DG726	MWG THREADED CONNECTION BSPP 1.5" FEMALE IN ABS	30	186	OK	11,24

Ref.	For Flowmeter
DG720	DG701 - DG703
DG722	DG705 - DG707 - DG709
DG724	DG705 - DG707 - DG709
DG726	DG711 - DG713 - DG715



## MWG Flowmeters in PC

- Flowmeters (the reading is taken in correspondence with the top edge of the float) with wide range of measuring scale and of end connections ( d20 ÷ d75 ), good level of accuracy with simple operation and very limited maintenance;
- Standard fluid = water; - Measuring tube in transparent PC, Float in ABS, fittings and nut in PVC and seal in EPDM;
- Maximum working pressure with water up to 25°C = 10 bar; - 60°C = 1,5 bar - Temperature range = 5 ÷ 60°C.



D1	L	D2
20	210	50
32	230	59
63	375	98
75	420	120

Ref.	Description	Conne ct.	Fam.	Subfam.	Disp. Stock	Price Euro
DG731	MWG CLEAR FLOWMETER TO GLUE IN PC D=20 MM EPDM 25-250 L/H FLOAT IN ABS	d20	30	186	OK	41,77
DG733	MWG CLEAR FLOWMETER TO GLUE IN PC D=20 MM EPDM 60-600 L/H FLOAT IN ABS	d20	30	186	OK	41,77
DG735	MWG CLEAR FLOWMETER TO GLUE IN PC D=32 MM EPDM 100-1000 L/H FLOAT IN ABS WITH SS316 ROD	d32	30	186	OK	57,57
DG737	MWG CLEAR FLOWMETER TO GLUE IN PC D=32 MM EPDM 160-1600 L/H FLOAT IN ABS WITH SS316 ROD	d32	30	186	OK	57,57
DG739	MWG CLEAR FLOWMETER TO GLUE IN PC D=32 MM EPDM 250-2500 L/H FLOAT IN ABS WITH SS316 ROD	d32	30	186	OK	57,57
DG741	MWG CLEAR FLOWMETER TO GLUE IN PC D=63 MM EPDM 400-4000 L/H FLOAT IN ABS WITH SS316 ROD	d63	30	186	OK	106,77
DG743	MWG CLEAR FLOWMETER TO GLUE IN PC D=63 MM EPDM 600-6000 L/H FLOAT IN ABS WITH SS316 ROD	d63	30	186	OK	106,77
DG745	MWG CLEAR FLOWMETER TO GLUE IN PC D=63 MM EPDM 1000-10000 L/H FLOAT IN ABS WITH SS316 ROD	d63	30	186	OK	106,77
DG747	MWG CLEAR FLOWMETER TO GLUE IN PC D=75 MM EPDM 5000-25000 L/H FLOAT IN ABS WITH SS316 ROD	d75	30	186	OK	215,85

Certificates	Manufacturer	Sectors
	<b>MWG</b>	Commercial, Industrial

**ACCESSORIES:** Threaded connections not included, to order separately.

Ref.	Description	Fam.	Subfam.	Disp. Stock	Price Euro
DG750	MWG THREADED CONNECTION BSPP 1/2" FEMALE IN PVC-U	30	186	OK	8,58
DG752	MWG THREADED CONNECTION BSPP 3/4" FEMALE IN PVC-U	30	186	OK	10,33
DG756	MWG THREADED CONNECTION BSPP 2" FEMALE IN PVC-U	30	186	OK	18,24
DG758	MWG THREADED CONNECTION BSPP 2.5" FEMALE IN PVC-U	30	186	OK	40,39

Ref.	For Flowmeter
DG750	DG731 - DG733
DG752	DG735 - DG737 - DG739
DG756	DG741 - DG743 - DG745
DG758	DG747



## MWG Flowmeters with Mounting Panel

- Flowmeters with wide range of measuring scale and of end connections, good level of accuracy with simple operation and very limited maintenance;
- Standard fluid = water; - Measuring tube in transparent acrylic material, float in ABS, rod in SS 316 and seal in EPDM;
- Maximum working pressure with water up to 25°C = 10 bar; - 60°C = 1,5 bar - Temperature range = 5 ÷ 60°C;
- Option: Valve in SS 316 to adjust the flow rate.

Model	L	B	D
1/2"	175	32	35
1"	234	45	46

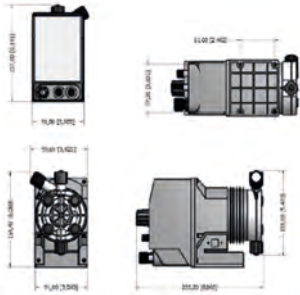
Ref.	Description	Flow Rate Valve	Fam.	Subfam.	Disp. Stock	Price Euro
DG761	MWG CLEAR THREADED FLOWMETER IN PC 1/2"BSPT M 25-250 L/H FLOAT IN ABS WITH SS316 ROD	NO	30	186	OK	30,41
DG763	MWG CLEAR THREADED FLOWMETER IN PC 1/2"BSPT M 60-660 L/H FLOAT IN ABS WITH SS316 ROD	NO	30	186	OK	30,41
DG765	MWG CLEAR THREADED FLOWMETER IN PC 1/2"BSPT M 120-1080 L/H FLOAT IN ABS WITH SS316 ROD	NO	30	186	OK	30,41
DG767	MWG CLEAR THREADED FLOWMETER IN PC 1"BSPT M 300-2100 L/H FLOAT IN ABS WITH SS316 ROD	NO	30	186	OK	51,47
DG769	MWG CLEAR THREADED FLOWMETER IN PC 1"BSPT M 600-3000 L/H FLOAT IN ABS WITH SS316 ROD	NO	30	186	OK	51,47
DG771	MWG CLEAR THREADED FLOWMETER IN PC 1"BSPT M 600-4200 L/H FLOAT IN ABS WITH SS316 ROD	NO	30	186	OK	51,47
DG781	MWG CLEAR THREADED FLOWMETER IN PC 1/2"BSPT M 25-250 L/H FLOAT IN ABS WITH SS316 ROD WITH SS316 VALVE	YES	30	186	OK	61,17
DG783	MWG CLEAR THREADED FLOWMETER IN PC 1/2"BSPT M 60-660 L/H FLOAT IN ABS WITH SS316 ROD WITH SS316 VALVE	YES	30	186	OK	61,17
DG785	MWG CLEAR THREADED FLOWMETER IN PC 1/2"BSPT M 120-1080 L/H FLOAT IN ABS WITH SS316 ROD WITH SS316 VALVE	YES	30	186	OK	61,17
DG787	MWG CLEAR THREADED FLOWMETER IN PC 1"BSPT M 300-2100 L/H FLOAT IN ABS WITH SS316 ROD WITH SS316 VALVE	YES	30	186	OK	102,96
DG789	MWG CLEAR THREADED FLOWMETER IN PC 1"BSPT M 600-3000 L/H FLOAT IN ABS WITH SS316 ROD WITH SS316 VALVE	YES	30	186	OK	102,96
DG791	MWG CLEAR THREADED FLOWMETER IN PC 1"BSPT M 1200-4200 L/H FLOAT IN ABS WITH SS316 ROD WITH SS316 VALVE	YES	30	186	OK	102,96

Certificates	Manufacturer	Sectors
	<b>MWG</b>	Commercial, Industrial





## PL Series Metering Pumps Horizontal Mounting



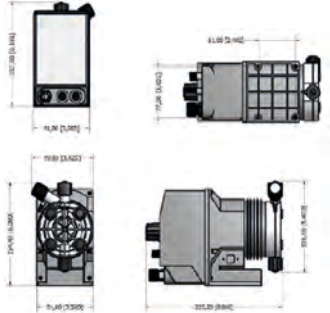
- PL series metering pumps horizontal mounting;
- Constant or proportional feeding, with pulse multiplier or pulse divider, dosage based on a mA signal or a digital signal (from 1 pulse/minute at 180 pulses/minute);
- Microprocessor technology;
- Manual stroke length adjustment;
- Body pump's in PVDF (and o-rings in VITON), with manual venting;
- Black enclosure in PP material;
- Protection class IP65;
- Audible noise 73,4 dB(A);
- Environment temperature 10 ÷ 45°C;
- Chemical temperature 0 ÷ 50°C;
- Power supply 230Vac 50/60hz with European transformer;
- Each pump is shipped with a Kit Assembly, delayed fuse, level probe with axial foot filter (PVDF), 5 bar injection valve (PVDF), PVDF delivery hose (length 2 m), PVC suction hose (length 2 m), discharge hose (length 2 m), input signal cable (length 2,5 m);
- Available also the self-venting version (see the following table).

Ref	Description	Fam.	Subfam.	Disp. Stock	Price Euro
DG299	MWG METERING PUMP HORIZ. PL 1 L/H @18 BAR PVDF ORVITON SELF VENTING	30	170	NO	649,69
DG300	MWG METERING PUMP HORIZONTAL PL 2 L/H @ 18 BAR PVDF W/OR VITON	30	170	OK	649,62
DG304	MWG METERING PUMP HORIZONTAL PL 8 L/H @ 8 BAR PVDFW/OR VITON	30	170	OK	649,62

Certificates	Manufacturer	Sectors
NSF50 NSF61 DM174-2004 CE	<b>MWG</b>	Commercial, Industrial



## MF Series Metering Pumps Horizontal Mounting



- MF series metering digital pumps horizontal mounting;
- Microprocessor technology (Constant, Divide, Multiply, PPM, Batch, Volt, mA, %, MLQ), stand-by and flow sensor input, alarm output and level control. Recovery fault mode, work-pause mode and upkeep mode (from 1 pulse/minute at 180 pulses/minute);
- Body pump's in PVDF (and o-rings in VITON) or PP (and o-rings in EPDM), with manual venting;
- Black enclosure in PP material, protection class IP65;
- Audible noise 73,4 dB(A);
- Environment temperature 10 ÷ 45°C, chemical temperature 0 ÷ 50°C;
- Power supply 230Vac 50/60hz with European transformer;
- Each pump is shipped with a Kit Assembly, delayed fuse, level probe with axial foot filter (PVDF), 5 bar injection valve (PVDF), PVDF delivery hose (length 2 m), PVC suction hose (length 2 m), discharge hose (length 2 m), input signal cable (length 2,5 m);
- Available also the self-venting version (see the following table).

Ref.	Description	Fam.	Subfam.	Disp. Stock	Price Euro
DG309	MWG METERING PUMP HORIZ. MF 1 L/H @18 BAR PVDF ORVITON SELF VENTING	30	170	NO	882,02
DG310	MWG METERING PUMP HORIZONTAL MF 2 L/H @ 18 BAR PVDF W/OR VITON	30	170	OK	912,69
DG310A	METERING PUMP HORIZONTAL MF 2 L/H @ 18 BAR PP W/OR EPDM	30	170	NO	912,98
DG313	MWG METERING PUMP HORIZ. MF 5,5 L/H @8 BAR PVDF ORVITON SELF VENTING	30	170	OK	912,69

Certificates	Manufacturer	Sectors
NSF50 NSF61 DM174-2004 CE	<b>MWG</b>	Commercial, Industrial





## MF Series Metering Pumps Vertical Mounting



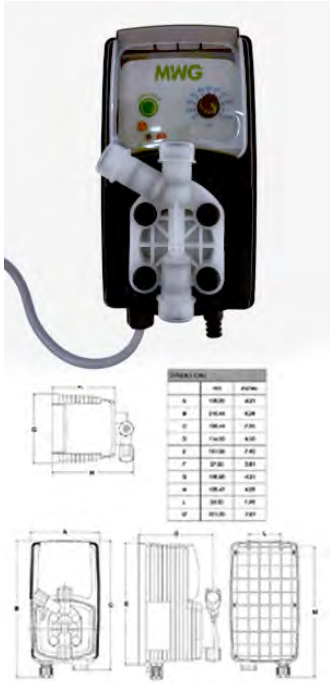
- MF series metering digital pumps vertical mounting;
- Microprocessor technology (Constant, Divide, Multiply, PPM, Batch, Volt, mA, %, ml/q), with level control. Recovery fault mode, work-pause mode and upkeep mode (from 1 pulse/hour at 180 pulses/minute);
- Body pump's in PVDF (and o-rings in VITON) or PP (and o-rings in EPDM), with manual venting;
- Black enclosure in PP material;
- Protection class IP65;
- Audible noise 70.4 dB(A);
- Environment temperature 10 ÷ 45°C;
- Chemical temperature 0 ÷ 50°C;
- Power supply 230Vac 50/60hz with European transformer;
- Each pump is shipped with a Kit Assembly, delayed fuse, level probe with axial foot filter (PVDF), 5 bar injection valve (PVDF), PVDF delivery hose (length 2 m), PVC suction hose (length 2 m), discharge hose (length 2 m), input signal cable (length 2,5 m);
- Available also the self-venting version (see the following table).

Ref	Description	Fam.	Subfam.	Disp. Stock	Price Euro
DG319	MWG METERING PUMP VERTICAL. MF 1 L/H @15 BAR PVDFOR VITON SELF VENTING	30	170	OK	564,77
DG320	MWG METERING PUMP VERTICAL MF 2 L/H @ 15 BAR PVDFW/OR VITON	30	170	OK	564,77
DG320A	MWG METERING PUMP VERTICAL MF 2 L/H @ 15 BAR PP W/OR EPDM	30	170	NO	564,77
DG323	MWG METERING PUMP VERTICAL. MF 4 L/H @7 BAR PVDF OR VITON SELF VENTING	30	170	OK	564,77
DG324	MWG METERING PUMP VERTICAL MF 6 L/H @ 7 BAR IN PVDF W/OR VITON	30	170	OK	564,77

Certificates	Manufacturer	Sectors
NSF50 NSF61 DM174-2004 CE	<b>MWG</b>	Commercial, Industrial



## CL Series Metering Pumps Vertical Mounting



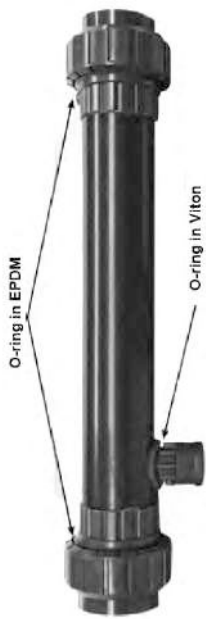
- CL series metering pumps vertical mounting;
- Microprocessor technology; constant pump with level control, flow rate control and 0-10% divider (from 1 pulse/minute at 180 pulses/minute);
- Body pump's in PVDF (and o-rings in VITON) or PP (and o-rings in EPDM), with manual venting;
- Black enclosure in PP material;
- Protection class IP65;
- Audible noise 74 dB(A);
- Environment temperature 10 ÷ 45°C;
- Chemical temperature 0 ÷ 50°C;
- Power supply 230Vac 50/60hz with European transformer;
- Each pump is shipped with a kit assembly, delayed fuse, level probe with axial foot filter (PVDF), 5 bar injection valve (PVDF), PE delivery hose (length 2 m), PVC suction hose (length 2 m), discharge hose (length 2 m);
- Available also the self-venting version (see the following table).

Ref.	Description	Fam.	Subfam.	Disp. Stock	Price Euro
DG329	MWG METERING PUMP VERTIC. CL 1 L/H @15 BAR PVDF ORVITON SELF VENTING	30	170	OK	437,46
DG330	MWG METERING PUMP VERTICAL CL 2 L/H @ 15 BAR PVDFW/OR VITON	30	170	OK	437,46
DG330A	METERING PUMP VERTICAL CL 2 L/H @ 15 BAR PP W/OREPDM	30	170	NO	437,46
DG334	MWG METERING PUMP VERTICAL CL 6 L/H @ 7 BAR PVDF W/OR VITON	30	170	OK	436,78

Certificates	Manufacturer	Sectors
NSF50 NSF61 DM174-2004 CE	<b>MWG</b>	Commercial, Industrial



## Metering Pumps Accessories



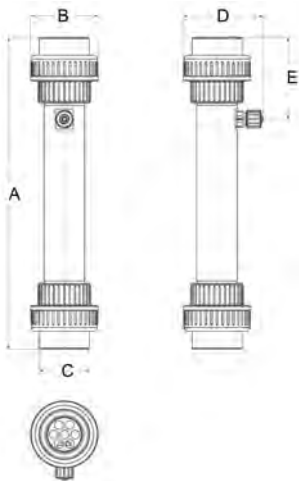
Ref	Description	Fam.	Subfam.	Disp. Stock	Price Euro
DG452	MWG PVDF TUBE 6X4 ROLL L=5 M	30	170	OK	41,27
DG453	MWG PVC TUBE 6X4 ROLL L=100 M	30	170	OK	140,89
DG454	MWG PE TUBE 6X4 ROLL L=100 M	30	170	OK	159,47
DG460	MWG MAINTENANCE KIT ASSY METERING PUMP HORIZONTALPVDF -ORING VITON	30	170	NO	172,41
DG460A	MWG MAINTENANCE KIT ASSY METERING PUMP HORIZ. PVDFW/OR VITON SELF-VENTING	30	170	OK	172,63
DG462	MWG MAINTENANCE KIT ASSY METERING PUMP VERTICAL PVDF -ORING VITON	30	170	OK	144,08
DG462A	MWG MAINTENANCE KIT ASSY METERING PUMP VERT. PVDFW/OR VITON SELF-VENTING	30	170	OK	143,37
DG399	MWG LEVEL PROBE WITH AXIAL FOOT FILTER	30	170	NO	62,61

Certificates	Manufacturer	Sectors
	<b>MWG</b>	Commercial, Industrial

## Metering Pumps Accessories

### STATIC MIXERS

- PVC-U static mixer filled with PP mixing elements;
- With injection valve 1/2" - 4x6 0,3 bar;
- Inspectionable.



Ref	Description	Fam.	Subfam.	Disp. Stock	Price Euro
DG470	MWG STATIC MIXER 1 1/4"	30	170	OK	299,94
DG472	MWG STATIC MIXER 1 1/2"	30	170	OK	464,97
DG473	MWG STATIC MIXER 2"	30	170	OK	386,25

Ref	Fittings	A (mm)	B (mm)	C (mm)	D (mm)	E (mm)
DG470	1 1/4 "	390	72	53	134,5	95
DG472	1 1/2"	438	83	59	147	119
DG473	2"	462,5	100	74	118	121

Certificates	Manufacturer	Sectors
	<b>MWG</b>	Commercial, Industrial

### Accessories

Ref	Description	Fam.	Subfam.	Disp. Stock	Price Euro
DG450	MWG MOUNTING BRACKET FOR VERTICAL PUMP	30	170	OK	42,85

Certificates	Manufacturer	Sectors



## Metering Pumps Accessories

### Turbine pulse emitter water meter



- Threaded pulse emitter water meter for cold and hot water, single (mod. 15 - 20 - 25 - 30 40) and multiple (mod. 50) jet counter with wet dial;
- Thread sizes range: from ½" to 2";
- Brass case and head (except for 50 mm 2" model with cast iron case and head);
- Range temperature = 4 ÷ 30°C;
- Max operating pressure = 16 bar;
- Constant K = 4 pulses/liter;
- 2m cable length (RG58), equipped with BNC connector;
- Reed contact with 109 closing operations;
- Max voltage 250 VAC, 200 VDC;
- Max current 1 A;
- Max power 10 VA.

Ref	Description	Gauge (Inch)	Fam.	Subfam.	Disp. Stock	Price Euro
DG480	MWG TURBINE PULSE EMITTER WATER METER W/WET DIAL 15 MM	½	30	170	OK	91,24
DG481	MWG TURBINE PULSE EMITTER WATER METER W/WET DIAL 20 MM	¾	30	170	OK	115,97
DG482	MWG TURBINE PULSE EMITTER WATER METER W/WET DIAL 25 MM	1	30	170	OK	157,78
DG483	MWG TURBINE PULSE EMITTER WATER METER W/WET DIAL 30 MM	1¼	30	170	OK	199,52
DG484	MWG TURBINE PULSE EMITTER WATER METER W/WET DIAL 40 MM	1½	30	170	OK	422,24
DG485	MWG TURBINE PULSE EMITTER WATER METER W/WET DIAL 50 MM	2	30	170	OK	991,46

Certificates	Manufacturer	Sectors
DM174-2004	<b>MWG</b>	Commercial, Industrial

### Accessories

- KDPV Kit, Signal Splitter.



Ref.	Description	Fam.	Subfam.	Disp. Stock	Price Euro
DG467	MWG KDPV KIT	30	170	OK	43,17

Certificates	Manufacturer	Sectors
	<b>MWG</b>	Commercial, Industrial



## Dosing Systems



- Suitable to be assembled with dosing pumps on catalogue;
- Each dosing system consisting in:
  - - nr.1 tank in polyethylene (HDPE) for chemical mixing;
  - - nr.1 suction lances with o-ring in VITON;
  - - nr.1 manual stirrer;
- All dosing station components assembled on are enclosed into tank diameter;
- Stirrers screwed on thread metal insert are tilted for better central mixing;
- Stainless Steel (AISI 316) fixing screws with rubber cap;
- With level indicator;
- Tanks can be assembled with:
  - - nr.1 metering pump (not included in the dosing system);
  - - nr.1 manual stirrer;
  - - nr.1 feed water valve;
  - - nr.1 outgassing pump hose;
  - - nr.1 outgassing valve (on the higher top side);
  - - nr.1 bleed water valve (on the lower side);
  - - nr.1 suction lance;
- Range temperature =  $4 \div 40^{\circ}\text{C}$ ;
- On demand are available safety bunds.

Ref	Description	Fam.	Subfam.	Disp. Stock	Price Euro
DG400	MWG DOSING SYSTEM ASSEMBLY 50 LITERS W/OR VITON	30	170	NO	536,98
DG402	MWG DOSING SYSTEM ASSEMBLY 120 LITERS W/OR VITON	30	170	OK	604,25
DG404	MWG DOSING SYSTEM ASSEMBLY 250 LITERS W/OR VITON	30	170	OK	881,57

Ref	A (mm)	A1-Feed water valve height (mm)	C (mm)	C1 (mm)	D (mm)	Feed water (mm)
DG400	505	425	420	420	420	95
DG402	735	650	475	485	495	650
DG404	850	780	610	610	610	120

Certificates	Manufacturer	Sectors
	<b>MWG</b>	Commercial, Industrial



## Dosing Systems Spare Parts

### Suction lances for dosing system



- For pumps up to 10 l/h;
- Level switch;
- Foot valve and foot filter;
- Adjustable height;
- 1 1/2" pipe fitting;
- Lateral output (1/2" fitting);
- PVC body.

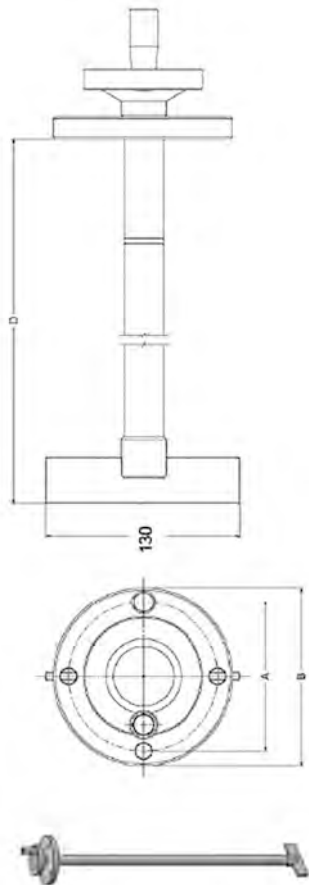
Ref	Description	Fam.	Subfam.	Disp. Stock	Price Euro
DG430	MWG SUCTION LANCE L=63 CM W/OR VITON	30	170	OK	160,94
DG434	MWG SUCTION LANCE L=108 CM W/OR VITON	30	170	OK	182,92

Ref	Dosing system	A (mm)	B (mm)
DG430	DG400 - DG402	630	740
DG434	DG404	1080	1190

Certificates	Manufacturer	Sectors
	<b>MWG</b>	Commercial, Industrial

### Manual stirrer for dosing system

- PVC-U shaft;
- 2-blade impeller;
- Impeller diameter = 130 mm
- Holes diameter = 8,5 mm.



Ref	Description	Fam.	Subfam.	Disp. Stock	Price Euro
DG440	MWG MANUAL MIXER H=45 CM	30	170	OK	187,26
DG442	MWG MANUAL MIXER H=65 CM	30	170	OK	206,66
DG444	MWG MANUAL MIXER H=77 CM	30	170	OK	223,84

Ref	Dosing system	A (mm)	ø B (mm)	D (mm)	Holes number and position
DG440	DG400 DG400A	100	120	450	4 at 90°
DG442	DG402 DG402A	125	145	650	3 at 120°
DG444	DG404 DG404A	125	145	770	3 at 120°

Certificates	Manufacturer	Sectors
	<b>MWG</b>	Commercial, Industrial



## Dosing System Accessories

### Safety bunds

- Material in polyethylene (HDPE), with reinforced collar for increasing security;
- Range temperature =  $4 \div 40^{\circ}\text{C}$ .



Ref	Description	Fam.	Subfam.	Disp. Stock	Price Euro
DG410	MWG SAFETY BUND FOR DOSING SYSTEM 50 LITERS	30	170	NO	188,73
DG412	MWG SAFETY BUND FOR DOSING SYSTEM 120 LITERS	30	170	NO	238,47
DG414	MWG SAFETY BUND FOR DOSING SYSTEM 250 LITERS	30	170	NO	496,49

Ref	Volume (liters)	B (mm)	D (mm)	H (mm)
DG410	60	430	510	425
DG412	120	520	545	615
DG414	300	660	695	875

Certificates	Manufacturer	Sectors
	<b>MWG</b>	Commercial, Industrial

## Dosing Systems Spare Parts

### Tank for chemical

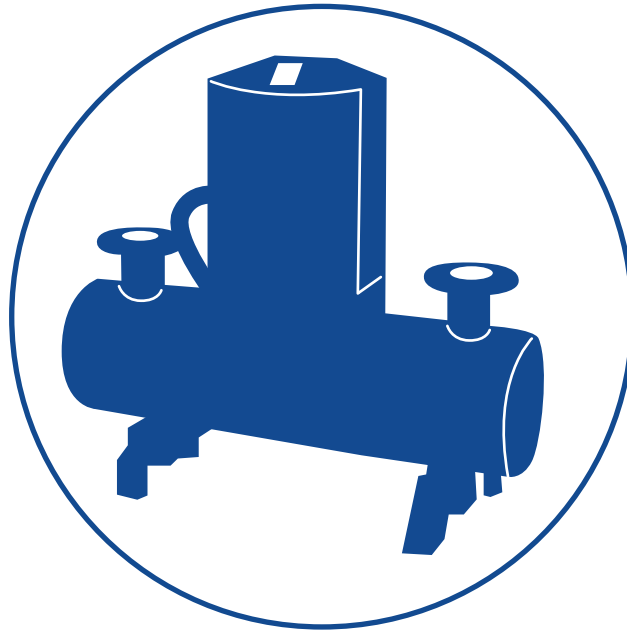
- Material in polyethylene (HDPE), suitable for chemical mixing;
- Tanks can be assembled with:
  - -nr.1 metering pump (not included in the dosing system);
  - -nr.1 manual stirrer;
  - -nr.1 feed water valve;
  - -nr.1 outgassing pump hose;
  - -nr.1 outgassing valve (on the higher top side);
  - -nr.1 bleed water valve (on the lower side);
  - -nr.1 suction lance;
- Range temperature =  $4 \div 40^{\circ}\text{C}$ .



Ref	Description	Fam.	Subfam.	Disp. Stock	Price Euro
DG420	MWG SPARE CONTAINER 50 LITERS	30	170	OK	188,73
DG422	MWG SPARE CONTAINER 120 LITERS	30	170	OK	238,47
DG424	MWG SPARE CONTAINER 250 LITERS	30	170	OK	497,46

Ref	Chemical Load Diameter (mm)	A (mm)	A1 Feed water valve height (mm)	C (mm)	C1 (mm)	D (mm)
DG420	95	505	425	420	420	420
DG422	120	735	650	475	485	495
DG424	120	850	780	610	610	610

Certificates	Manufacturer	Sectors
	<b>MWG</b>	Commercial, Industrial



# UV STERILIZERS

MWG, VAN REMMEN



[BACK  
TO INDEX](#)



## Residential U.V. Sterilizers Inox



- Monolamp U.V. sterilizer of close construction in AISI 304 polished material for point-of-use treatment devices;
- Complete with n.2 diameter 2" fixing clips and with n.2 JACO ¼" elbows;
- Power box with electronic circuit, cable and plug;
- Failure led and alarm system;
- Lamp quartz sheath and silicon O-ring;
- Max operating pressure 7 bar;
- Temperature 2 ÷ 40°C;
- Power supply 230 V - 50 Hz;
- Irradiation > 30 mJ/cm<sup>2</sup>;
- Lamp life 8.000 hours;
- Protection class IP42;
- Horizontal installation (only HA300 can be installed in vertical position).

Ref	Description	Fam.	Subfam.	Disp. Stock	Price Euro
HA300	MWG UV STERILIZER HR-60 220V-50HZ 1/4" BSP M	55	250	OK	130,90
HA302	MWG UV STERILIZER PC-1 10WATT 220V-50HZ -1/4" BSPM	55	250	OK	125,11

Ref	Max flow (l/h)	Power (W)	Connections	Diameter (mm)	Length (mm)
HA300	240	10	¼" BSP M	50,8	260
HA302	240	10	¼" BSP M	50,8	268

Box: WxLxH	Box: Q.ty	Box: Weight	Pallet: WxLxH	Pallet: Q.ty	Pallet: Weight

Certificates	Manufacturer	Sectors
DM174-2004, ACS, CE	<b>MWG</b>	Domestic

## Residential U.V. Sterilizers W Series



- To be used for residential water disinfection systems;
- Monolamp U.V. sterilizer of close construction in AISI 304 polished material;
- Power box with electronic circuit, cable and plug;
- Failure led and alarm system;
- Lamp quartz sheath and silicon O-ring;
- Max operating pressure 7 bar;
- Temperature 2 ÷ 40°C;
- Power supply 230 V - 50 Hz;
- Irradiation > 30 mJ/cm<sup>2</sup>;
- Lamp life 10.000 hours;
- Protection class IP42;
- Horizontal installation.

Ref	Description	Fam.	Subfam.	Disp. Stock	Price Euro
HA310	MWG UV STERILIZER W-180 220V-50HZ 15W - 1/2" BSP M	55	250	OK	177,00
HA315	MWG UV STERILIZER W-360 220V-50HZ 21W-1/2" BSP M	55	250	OK	315,90
HA320	MWG UV STERILIZER W-480 220V-50HZ 29W-1/2" BSP M	55	250	OK	391,39
HA325	MWG UV STERILIZER W-720 220V-50HZ 40W - 3/4" BSP M	55	250	OK	459,77

Ref	Max flow (l/h)	N. Lamps	Power (W)	Diameter (mm)	Length (mm)
HA310	680	1	15	63,5	364
HA315	1360	1	21	63,5	544
HA320	1810	1	29	63,5	694
HA325	2720	1	40	63,5	924

Ref	Box: WxLxH.	Box: Q.ty	Box: Weight.	Pallet: WxLxH.	Pallet: Q.ty	Pallet: Weight.
HA310						
HA315						
HA320						
HA325						

Certificates	Manufacturer	Sectors
DM174-2004, ACS, CE	<b>MWG</b>	Domestic

## Industrial U.V. Sterilizers FC Series



- To be used for commercial and industrial water disinfection systems;
- Monolamp U.V. sterilizer with polished AISI 304 sterilizing chamber (option in AISI 316L not available in stock) with inspection window and drain connection;
- Electric box with electronic circuit, connection cable, operating time meter and switch;
- Operating and failure led, with alarm system (excepted models FC-35 and FC-45);
- Lamp quartz sheath and Viton O-ring;
- Max operating pressure 7 bar, temperature  $2 \pm 40^{\circ}\text{C}$ ;
- Power supply 230 V - 50 Hz, irradiation  $> 40 \text{ mJ/cm}^2$ , lamp life 10.000 hours;
- Protection class IP43;
- Possibility of connection with shut down solenoid valve (only for models FC-35 and FC-45);
- Horizontal installation.

Ref	Description	Fam.	Subfam.	Disp. Stock	Price Euro
HA350	MWG UV STERILIZER FC-8 220V-50HZ 29W - 3/4" BSP M	55	251	OK	882,60
HA350A	UV STERILIZER FC-8 220V-50HZ 29W-3/4" BSP M 316L	55	251	NO	974,37
HA355	MWG UV STERILIZER FC-12 220V-50HZ 40W - 1" BSP M	55	251	OK	917,26
HA360	MWG UV STERILIZER FC-15 220V-50HZ 65W - 1" BSP M	55	251	OK	1132,10
HA360A	UV STERILIZER FC-15 220V-50HZ 65W - 1" BSP M 316L	55	251	NO	1517,19
HA365	MWG UV STERILIZER FC-20 220V-50HZ 65W-1 1/2" BSP M	55	251	OK	1437,71
HA370	MWG UV STERILIZER FC-24 220V-50HZ 85W - 1 1/2" BSP M	55	251	OK	1501,43
HA375	MWG UV SERILIZER FC-35 220V-50HZ 100W-2" BSP M	55	251	OK	2203,68
HA380	MWG UV STERILIZER FC-45 220V-50HZ 120W - 2" BSP M	55	251	OK	2269,56

Ref	AISI	Max Flow (l/h)	Power (W)	Connections	Diameter (mm)	Lenght (mm)
HA350	304	1.810	29	3/4" BSP M	114	710
HA355	304	2.720	40	1" BSP M	133	940
HA360	304	3.400	65	1" BSP M	133	940
HA365	304	4.536	65	1" 1/2 BSP M	160	940
HA370	304	5.443	85	1" 1/2 BSP M	160	940
HA375	304	7.938	100	2" BSP M	160	1.235
HA380	304	10.200	120	2" BSP M	160	1.235

Ref.	Box: WxLxH	Box: Q.ty	Box: Weight	Pallet: WxLxH	Pallet: Q.ty	Pallet: Weight
HA350						
HA355						
HA360						
HA365						
HA370						
HA375						
HA380						

Certificates	Manufacturer	Sectors
DM174-2004 CE	<b>MWG</b>	Commercial, Industrial

Industrial Flanged Multilamp U.V. Sterilizers FC-D Series



- To be used for industrial water disinfection systems;
- Multilamp U.V. sterilizer with polished AISI 304 sterilizing chamber (option in AISI 316L not available in stock) with inspection window and drain connection;
- Electric box with electronic circuit, connection cable, operating time meter and switch;
- Operating and service/failure led;
- Lamp quartz sheath and Viton O-ring;
- Max operating pressure 7 bar;
- Temperature 2 ÷ 40°C;
- Power supply 230 V - 50 Hz;
- Irradiation > 40 mJ/cm<sup>2</sup>;
- Lamp life 10.000 hours;
- Protection class IP43;
- Possibility of connection with
- Shut down solenoid valve;
- Horizontal installation.

Ref	Description	Fam.	Subfam.	Disp. Stock	Price Euro
HA400	MWG UV STERILIZER FC-70D 220V-50HZ 2x100W - DN50	55	252	OK	4207,42
HA400A	MWG UV STERILIZER FC-70D 220V-50HZ 2x100W -DN50 316L	55	252	NO	4834,26
HA410	MWG UV STERILIZER FC-120D 220V-50HZ 3x120W - DN65	55	252	OK	6489,85
HA410A	MWG UV STERILIZER FC-120D 220V-50HZ 3x120W - DN65 316	55	252	NO	7792,74
HA420	MWG UV STERILIZER FC-180D 220V-50HZ 5x120W - DN80	55	252	OK	8114,48
HA430	MWG UV STERILIZER FC-250D 220V-50HZ 7x120W - DN100	55	252	OK	10490,94

Ref.	AISI	Max flow (l/h)	N. Lamps	Power (W)	Connect.	Diameter (mm)	Lenght (mm)
HA400	304	15.900	2	200	DN50 Flanged	220	1.250
HA400A	316L	15.900	2	200	DN50 Flanged	220	1.250
HA410	304	27.250	3	360	DN65 Flanged	273	1.250
HA410A	316L	27.250	3	360	DN65 Flanged	273	1.250
HA420	304	40.880	5	600	DN80 Flanged	323	1.250
HA430	304	56.780	7	840	DN100 Flanged	400	1.250

Ref.	Box: WxLxH	Box: Q.ty	Box: Weight	Pallet: WxLxH	Pallet: Q.ty	Pallet: Weight
HA400						
HA400A						
HA410						
HA410A						
HA420						
HA430						

Certificates	Manufacturer	Sectors
DM174-2004 CE	MWG	Industrial

U.V. Sterilizers HR - PC - W - FC - FC/D Spare Parts

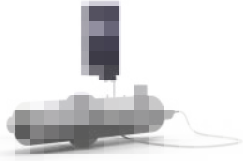


Ref	Description	Fam.	Subfam.	Disp. Stock	Price Euro
HA500	UV LAMP - T5L10W D=18 L=219 MM	55	255	OK	46,34
HA502	UV LAMP - T5L15W D=18 L=310 MM	55	255	OK	76,91
HA504	UV LAMP - T5L21W D=18 L=444 MM	55	255	OK	83,01
HA506	UV LAMP - T5L29W D=18 L=630 MM	55	255	OK	80,97
HA508	UV LAMP - T5L40W D=18 L=850 MM	55	255	OK	93,92
HA510	UV LAMP - T5L65W D=18 L=850 MM	55	255	OK	118,22
HA512	UV LAMP - T5L85W D=18 L=850 MM	55	255	OK	123,76
HA514	UV LAMP - T6L100W D=23 L=1160 MM	55	255	OK	146,17
HA516	UV LAMP - T6L120W D=18 L=1150 MM	55	255	OK	146,17
HA530	QUARTZ D=24,5 X L=250 MM ONE OPEN END	55	255	OK	19,75
HA531	QUARTZ D=24,5 X L=250 MM	55	255	OK	19,75
HA532	QUARTZ D=24,5 X L=350 MM	55	255	OK	25,71
HA534	QUARTZ D=24,5 X L=530 MM	55	255	OK	31,39
HA536	QUARTZ D=24,5 X L=680 MM	55	255	OK	38,91
HA538	QUARTZ D=24,5 X L=910 MM	55	255	OK	52,62
HA540	QUARZ D=30,0 X L=910 MM	55	255	OK	83,10
HA542	QUARZ D=30,0 X L=1205 MM	55	255	OK	95,70
HA550	SILICONE O-RING FOR QUARTZ SHEATH D.24,5 MM	55	255	OK	2,61
HA550A	VITON O-RING FOR QUARTZ SHEATH D. 24,5 MM	55	255	OK	4,31
HA552A	VITON O-RING FOR QUARTZ SHEATH D. 30,0 MM	55	255	OK	26,93
HA560	MWG ELECTRONIC BALLAST UVC-1021,230V 50-60HZ FOR LAMP 10-21W	55	255	OK	48,01
HA562	MWG ELECTRONIC BALLAST UVC-2040,230V 50-60HZ FOR LAMP 29- 40W	55	255	OK	135,41
HA563	MWG ELECTRONIC BALLAST UVC-2040,230V 50-60HZ INSIDE Q.E. FOR LAMP 29-40W	55	255	OK	135,41
HA564	MWG ELECTRONIC BALLAST UVC-6585,230V 50-60HZ INSIDE Q.E. FOR LAMP 65-80W	55	255	OK	102,12
HA566	MWG ELECTRONIC BALLAST UV12 100-240 V/50HZ 90-155WSINGLE-LAMP	55	255	OK	418,06
HA570	MWG COMPLETE CONTROL BOX FC-8-12	55	255	OK	225,27
HA572	MWG COMPLETE CONTROL BOX FC-15-20-24	55	255	OK	238,36
HA574	MWG COMPLETE COMTROL BOX FC-35/45	55	255	OK	502,47
HA576	MWG COMPLETE CONTROL BOX FC-70D	55	255	OK	875,91
HA578	MWG COMPLETE CONTROL BOX FC-180D	55	255	OK	1526,05
HA590	PLASTIC END CAP FOR FIXING SHEATH FITTING D.30	55	255	OK	4,83
HA554	PC SIGHT CAP	55	255	OK	26,59
HA556	ELBOW FITTING PP 1/4" FNTP X 1/4" TUBE	55	255	OK	0,92
HA557	FIXING SHEATH FITTING D.24,5 MM AISI 304	55	255	OK	0,92
HA558	FIXING SHEATH FITTING D.30 MM AISI 304	55	255	OK	58,11
HA559	END CONNECTION NUT FOR W TYPE UV INCLUDED BLACK PLASTIC CAP	55	255	OK	13,85
HA588	QUADRIPIIN CABLE FOR UV LAMP FC AND FC-D SERIES	55	255	OK	32,50

U.V. Sterilizers HR - PC - W - FC - FC/D Spare Parts

Ref	Sterilizers UV
HA500	HR-60 PC-1
HA502	W-180
HA504	W-360
HA506	W-480 FC-8
HA508	W-720 FC-12
HA510	FC-15 FC-20
HA512	FC-24
HA514	FC-35 2x FC-70D
HA516	FC-45 3x FC-120D 5x FC-180D 7x FC-250D
HA530	HR-60
HA531	PC-1
HA532	W-180
HA534	W-360
HA536	W-480 FC-8
HA538	W-720 FC-12 FC-15
HA540	FC-20 FC-24
HA542	FC-35 FC-45 2x FC-70D 3x FC-120D 5x FC-180D 7x FC-250D
HA550	HR-60 PC-1 W-180 W-360 W-480 W-720
HA550A	FC-8 FC-12 FC-15
HA552A	FC-20 FC-24 FC-35 FC-45 FC-70D FC-120D FC-180D FC-250D
HA560	HR-60 PC-1 W-180 W-360
HA562	W-480 W-720
HA563	FC-8 FC-12
HA564	FC-15 FC-20 FC-24
HA566	FC-35 FC-45 FC-70D FC-120D FC-180D FC-250D
HA570	FC-8 FC-12
HA572	FC-15 FC-20 FC-24
HA574	FC-35 FC-45
HA576	FC-70D
HA578	FC-180D
HA590	W-180 W-360 W-480 W-720 FC-8 FC-12 FC-15 FC-20 FC-24 FC-35 FC-45 FC-70D FC-120D FC-180D FC-250D
HA554	FC-8 FC-12 FC-15 FC-20 FC-24 FC-35 FC-45 FC-70D FC-120D FC-180D FC-250D
HA556	HR-60 PC-1
HA557	FC-8 FC-12 FC-15
HA558	FC-20 FC-24 FC-35 FC-45 FC-70D FC-120D FC-180D FC-250D
HA559	W-180 W-360 W-480 W-720
HA588	FC-8 FC-12 FC-15 FC-20 FC-24 FC-35 FC-45 FC-70D FC-120D FC-180D FC-250D

## Van Remmen Industrial UV Sterilizers with UV and Temperature Sensors



- Made in European Union (Netherlands);
- To be used for industrial water disinfection systems;
- U.V. sterilizer with sandblasted AISI 316L sterilizer chamber;
- Electric box with electronic circuit, connection cable, operating time meter and switch, UV and temperature sensor;
- Lamp quartz sheath and O-ring;
- Max operating pressure 16 bar;
- Temperature  $5 \pm 30^{\circ}\text{C}$ ;  $T_{10} = 99\%$ ;
- Power supply 230 V - 50 Hz; Lamp life 16.000 hrs (except for model V150 with 8.000 hrs life)
- Protection class IP55;
- Possibility of connection with solenoid valve;
- Horizontal installation from model V170;
- Validated according EN14897.

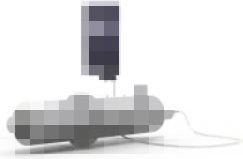
Ref.	Description	Fam.	Subfam.	Disp. Stock	Price Euro
HV140	UV STERILIZER V140 WITH UV AND TEMPERATURE SENSOR	55	252	OK	7152,40
HV150	UV STERILIZER V150 WITH UV AND TEMPERATURE SENSOR	55	252	OK	8073,82
HV160	UV STERILIZER V160 WITH UV AND TEMPERATURE SENSOR	55	252	OK	11175,94
HV170	UV STERILIZER V170 WITH UV AND TEMPERATURE SENSOR	55	252	OK	12097,36
HV180	UV STERILIZER V180 WITH UV AND TEMPERATURE SENSOR	55	252	OK	16090,20
HV190	UV STERILIZER V190 WITH UV AND TEMPERATURE SENSOR	55	252	OK	19468,72
HV200	UV STERILIZER V200 WITH UV AND TEMPERATURE SENSOR	55	252	OK	29155,46
HV220	UV STERILIZER V220 WITH UV AND TEMPERATURE SENSOR	55	252	OK	35605,40
HV250	UV STERILIZER V250 WITH UV AND TEMPERATURE SENSOR	55	252	OK	48445,45
HV290	UV STERILIZER V290 WITH UV AND TEMPERATURE SENSOR	55	252	OK	58803,98
HVD300	UV STERILIZER D300 WITH UV AND TEMPERATURE SENSOR	55	252	OK	66816,28

Ref.	AISI	Max flow l/h @ 300J/m <sup>2</sup>	N. Lamps	Power (W)	Connections	Diameter (mm)	Length (mm)
HV140	316L	10.000	1	60	1,5 " BSPT	129	708
HV150	316L	15.000	1	80	2,0 " BSPT	129	1.207
HV160	316L	24.000	1	120	2,0 " BSPT	129	1.207
HV180	316L	60.000	1	205	2,5 " BSPT	129	1.512
HV190	316L	96.000	1	325	3,0 " BSPT	129	1.770
HV200	316L	125.000	3	360	DN100	204	1.321
HV220	316L	160.000	3	615	DN150	204	1.621
HV250	316L	250.000	3	975	DN250	254	1.710
HV290	316L	420.000	5	1.625	DN300	304	1.710
HVD300	316L	600.000	6	1.950	DN250	354	2.054

Ref.	AISI	Max flow l/h @ 400J/m <sup>2</sup>	N. Lamps	Power (W)	Connections	Diameter (mm)	Length (mm)
HV150	316L	10.000	1	80	2,0 " BSPT	129	1.207
HV160	316L	15.000	1	120	2,0 " BSPT	129	1.207
HV170	316L	24.000	1	205	2,0 " BSPT	89	1.499
HV190	316L	60.000	1	325	3,0 " BSPT	129	1.770
HV200	316L	96.000	3	360	DN100	204	1.321
HV220	316L	125.000	3	615	DN150	204	1.621
HV250	316L	160.000	3	975	DN250	254	1.710
HVD300	316L	420.000	6	1.950	DN250	354	2.054

Certificates	Manufacturer	Sectors
KIWA CE	Van Remmen	Commercial, Industrial

### Van Remmen UV Sterilizers with UV and Temperature Sensors for Legionella Removal

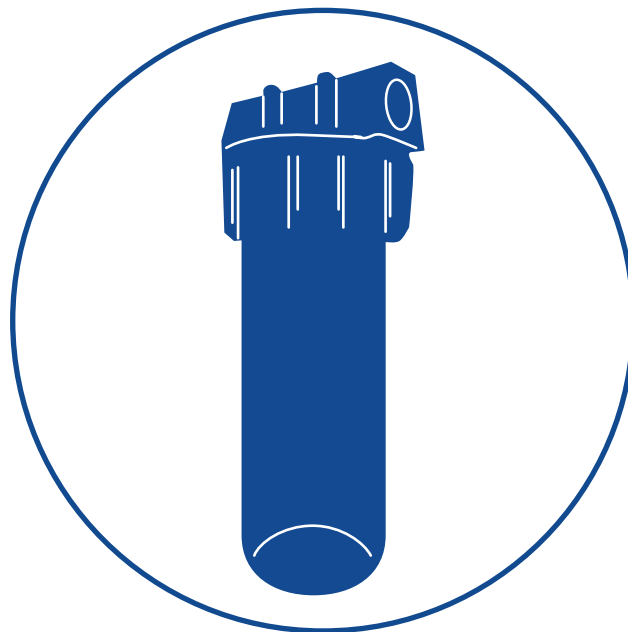


- Made in European Union (Netherlands);
- To be used for water disinfection systems to remove Legionella;
- U.V. sterilizer with sandblasted AISI 316L sterilizer chamber;
- Electric box with electronic circuit, connection cable, operating time meter and switch, UV and temperature sensor;
- Lamp quartz sheath and O-ring;
- Max operating pressure 16 bar;
- Temperature 5 ÷ 30°C; T<sub>10</sub> =85%;
- Power supply 230 V - 50 Hz; Lamp life 16.000 hrs;
- Protection class IP55;
- Possibility of connection with solenoid valve;
- Horizontal installation from model V170;
- Validated according EN14897.

Ref.	Description	Fam.	Subfam.	Disp. Stock	Price Euro
HV130	UV STERILIZER V130 WITH UV AND TEMPERATURE SENSOR	55	252	OK	6860,59
HV140	UV STERILIZER V140 WITH UV AND TEMPERATURE SENSOR	55	252	OK	7152,40
HV160	UV STERILIZER V160 WITH UV AND TEMPERATURE SENSOR	55	252	OK	11175,94
HV170	UV STERILIZER V170 WITH UV AND TEMPERATURE SENSOR	55	252	OK	12097,36
HV190	UV STERILIZER V190 WITH UV AND TEMPERATURE SENSOR	55	252	OK	19468,72

Ref.	AISI	Max flow l/h @ 400J/m2	N. Lamps	Power (W)	Connections	Diameter (mm)	Length (mm)
HV130	316L	2.000	1	60	1,5 " BSPT	129	708
HV140	316L	4.500	1	80	1,5 " BSPT	129	1.207
HV160	316L	10.000	1	120	2,0 " BSPT	129	1.207
HV170	316L	15.000	1	205	2,5 " BSPT	89	1.512
HV190	316L	35.000	1	325	3,0 " BSPT	129	1.770

Certificates	Manufacturer	Sectors
KIWA CE	Van Remmen	Domestic, Commercial, Industrial



# **FILTER HOUSINGS, CARTRIDGES AND POLYPHOSPHATE FEEDERS**

**MWG**



**BACK  
TO INDEX**





## PP String Wound Filtering Cartridges

- string wound filtering cartridges with core;
- string and core in polypropylene;
- double/triple retention capacity than a compact structure cartridge;
- dimensions external diameter 60 mm, internal diameter 28 mm;
- nominal length: 10" or 20";
- Suggested filtering flow rate for 10" length: 18 ÷ 24 lpm;
- Max filtering flow rate for 20" length: 30 lpm;
- Max ΔP recommended 1 bar;
- Max operating temperature = 60°C.



Ref	Description	Fam.	Subfam.	Disp. Stock	Price Euro
FC100	MWG STRING WOUND CARTRIDGE DLSW-10-01 ( 9-7/8" )	40	100	OK	3,13
FC101	MWG STRING WOUND CARTRIDGE DLSW-10-05 (9-7/8")	40	100	OK	3,13
FC102	MWG STRING WOUND CARTRIDGE DLSW-10-10 (9-7/8")	40	100	OK	3,59
FC103	MWG STRING WOUND CARTRIDGE DLSW-10-20 (9-7/8")	40	100	OK	3,59
FC104	MWG STRING WOUND CARTRIDGE DLSW-10-50 (9-7/8")	40	100	OK	3,13
FC105	MWG STRING WOUND CARTRIDGE DLSW-10-100 (9-7/8")	40	100	OK	3,13
FC110	MWG STRING WOUND CARTRIDGE DLSW-20-01	40	100	OK	6,95
FC111	MWG STRING WOUND CARTRIDGE DLSW-20-05	40	100	OK	6,93
FC112	MWG STRING WOUND CARTRIDGE DLSW-20-10	40	100	OK	7,14
FC113	MWG STRING WOUND CARTRIDGE DLSW-20-20	40	100	OK	6,93
FC114	MWG STRING WOUND CARTRIDGE DLSW-20-50	40	100	OK	6,93
FC115	MWG STRING WOUND CARTRIDGE DLSW-20-100	40	100	OK	7,14

Ref	Nominal Length (inch)	Length (mm)	Micron
FC100	10"	251	1
FC101	10"	251	5
FC102	10"	251	10
FC103	10"	251	20
FC104	10"	251	50
FC105	10"	251	100
FC110	20"	508	1
FC111	20"	508	5
FC112	20"	508	10
FC113	20"	508	20
FC114	20"	508	50
FC115	20"	508	100

Certificates	Manufacturer	Sectors
DM174-2004	<b>MWG</b>	Domestic, Commercial, Industrial



## Melt Blown Filtering Cartridges

- Thermowelded polypropylene fibers cartridges with no lubricants or antistatic additives;
- Any migration into the filtered water;
- Wide chemical compatibility;
- High retention capacity & filtration efficiency multilayer structure;
- Filtration efficiency 96 % minimum;
- High retention capacity extends cartridge life;
- External diameter 63 mm, internal 28 mm;
- Nominal length: 10" - 20" - 30" - 40".
- Suggested filtration flow rate for 10" length: 15 ÷ 20 lpm;
- Max filtration flow rate for 40" length: 60 lpm;
- Max ΔP recommended 1,4 bar;
- Max operating temperature = 80°C.

Ref	Description	Fam.	Subfam.	Disp. Stock	Price Euro
FC050	MELT BLOWN CARTRIDGE DLPP-01-10 ( 9.7/8" )	40	100	OK	2,12
FC051	MELT BLOWN CARTRIDGE DLPP-05-10 ( 9.7/8" )	40	100	OK	2,12
FC052	MELT BLOWN CARTRIDGE DLPP-10-10 ( 9.7/8" )	40	100	OK	2,12
FC053	MELT BLOWN CARTRIDGE DLPP-20-10 ( 9.7/8" )	40	100	OK	2,12
FC054	MELT BLOWN CARTRIDGE DLPP-30-10 ( 9.7/8" )	40	100	OK	2,12
FC055	MELT BLOWN CARTRIDGE DLPP-50-10 ( 9.7/8" )	40	100	OK	2,12
FC060	MELT BLOWN CARTRIDGE DLPP-01-20	40	100	OK	5,15
FC061	MELT BLOWN CARTRIDGE DLPP-05-20	40	100	OK	4,24
FC062	MELT BLOWN CARTRIDGE DLPP-10-20	40	100	OK	5,05
FC063	MELT BLOWN CARTRIDGE DLPP-20-20	40	100	OK	5,15
FC064	MELT BLOWN CARTRIDGE DLPP-30-20	40	100	OK	4,34
FC065	MELT BLOWN CARTRIDGE DLPP-50-20	40	100	OK	4,34
FC070	MELT BLOWN CARTRIDGE DLPP-01-30	40	100	OK	7,56
FC071	MELT BLOWN CARTRIDGE DLPP-05-30	40	100	OK	7,56
FC072	MELT BLOWN CARTRIDGE DLPP-10-30	40	100	OK	7,56
FC073	MELT BLOWN CARTRIDGE DLPP-20-30	40	100	OK	7,56
FC074	MELT BLOWN CARTRIDGE DLPP-30-30	40	100	OK	7,56
FC075	MELT BLOWN CARTRIDGE DLPP-50-30	40	100	OK	7,56
FC080	MELT BLOWN CARTRIDGE DLPP-01-40	40	100	OK	10,35
FC081	MELT BLOWN CARTRIDGE DLPP-05-40	40	100	OK	10,35
FC082	MELT BLOWN CARTRIDGE DLPP-10-40	40	100	OK	10,35
FC083	MELT BLOWN CARTRIDGE DLPP-20-40	40	100	OK	10,35
FC084	MELT BLOWN CARTRIDGE DLPP-30-40	40	100	OK	10,35
FC085	MELT BLOWN CARTRIDGE DLPP-50-40	40	100	OK	10,35





## Melt Blown Filtering Cartridges

Ref	Nominal Lenght (inch)	Lenght (mm)	Micron
FC050	10"	251	1
FC051	10"	251	5
FC052	10"	251	10
FC053	10"	251	20
FC054	10"	251	30
FC055	10"	251	50
FC060	20"	505	1
FC061	20"	505	5
FC062	20"	505	10
FC063	20"	505	20
FC064	20"	505	30
FC065	20"	505	50
FC070	30"	764	1
FC071	30"	764	5
FC072	30"	764	10
FC073	30"	764	20
FC074	30"	764	30
FC075	30"	764	50
FC080	40"	1018	1
FC081	40"	1018	5
FC082	40"	1018	10
FC083	40"	1018	20
FC084	40"	1018	30
FC085	40"	1018	50

Box: WxLxH	Box: Q.ty	Box: Weight	Pallet: WxLxH	Pallet: Q.ty	Pallet: Weight

Certificates	Manufacturer	Sectors
DM174-2004		Domestic, Commercial, Industrial



## PP Big Sediment Filter Cartridges

- melt-blown polypropylene fibers;
- dimensions 114 mm external diameter;
- dimensions 28 mm internal diameter;
- max working temperature 65°C.

Ref	Description	Fam.	Subfam.	Disp. Stock	Price Euro
FA038	MELT BLOWN CARTRIDGE BIG DLPPBB-01-10 (9.7/8")	40	105	OK	9,00
FA034	MELT BLOWN CARTRIDGE BIG DLPPBB-05-10 (9.7/8")	40	105	OK	9,00
FA035	MELT BLOWN CARTRIDGE BIG DLPPBB-20-10 (9.7/8")	40	105	OK	9,00
FA036	MELT BLOWN CARTRIDGE BIG DLPPBB-50-10 (9.7/8")	40	105	OK	9,00
FA039	MELT BLOWN CARTRIDGE BIG DLPPBB-01-20	40	105	OK	17,96
FA028	MELT BLOWN CARTRIDGE BIG DLPPBB-05-20	40	105	OK	17,96
FA029	MELT BLOWN CARTRIDGE BIG DLPPBB-20-20	40	105	OK	21,03
FA037	MELT BLOWN CARTRIDGE BIG DLPPBB-50-20	40	105	OK	17,96

Ref	Nominal Length (inch)	Length (mm)	Micron
FA038	10"	251	1
FA034	10"	251	5
FA035	10"	251	20
FA036	10"	251	50
FA039	20"	508	1
FA028	20"	508	5
FA029	20"	508	20
FA037	20"	508	50

Box: WxLxH	Box: Q.ty	Box: Weight	Pallet: WxLxH	Pallet: Q.ty	Pallet: Weight

Certificates	Manufacturer	Sectors
DM174-2004		Domestic, Commercial, Industrial





## Purtrex Filtering Cartridges



- in melt-blown polypropylene fibers;
- any microfibers migration in filtered water;
- graduated density from external to internal side improves filter efficiency;
- high retention capacity extends cartridge life;
- external diameter 63 mm, internal 28 mm;
- nominal length 10" - 20" - 30" - 40".
- suggested filtration flow rate for 10" length: 15 ÷ 20 lpm;
- max filtration flow rate for 40" length: 60 lpm;
- max operating temperature = 80°C.

Ref	Description	Fam.	Subfam.	Disp. Stock	Price Euro
FC010	PURTREX CARTRIDGE PX01-9.7/8"	40	100	OK	5,61
FC011	PURTREX CARTRIDGE PX03-9.7/8"	40	100	OK	5,61
FC012	PURTREX CARTRIDGE PX05-9.7/8"	40	100	OK	5,02
FC013	PURTREX CARTRIDGE PX10-9.7/8"	40	100	OK	4,21
FC014	PURTREX CARTRIDGE PX20-9.7/8"	40	100	OK	4,06
FC015	PURTREX CARTRIDGE PX30-9.7/8"	40	100	OK	3,93
FC016	PURTREX CARTRIDGE PX50-9.7/8"	40	100	OK	3,80
FC017	PURTREX CARTRIDGE PX75-9.7/8"	40	100	OK	3,47
FC020	PURTREX CARTRIDGE PX01-20"	40	100	OK	9,27
FC021	PURTREX CARTRIDGE PX03-20"	40	100	OK	9,27
FC022	PURTREX CARTRIDGE PX05-20"	40	100	OK	8,44
FC023	PURTREX CARTRIDGE PX10-20"	40	100	OK	8,48
FC024	PURTREX CARTRIDGE PX20-20"	40	100	OK	8,07
FC025	PURTREX CARTRIDGE PX30-20"	40	100	OK	7,48
FC026	PURTREX CARTRIDGE PX50-20"	40	100	OK	7,22
FC030	PURTREX CARTRIDGE PX01-30"	40	100	OK	14,26
FC031	PURTREX CARTRIDGE PX03-30"	40	100	OK	14,26
FC032	PURTREX CARTRIDGE PX05-30"	40	100	OK	13,18
FC033	PURTREX CARTRIDGE PX10-30"	40	100	OK	12,35
FC034	PURTREX CARTRIDGE PX20-30"	40	100	OK	12,06
FC035	PURTREX CARTRIDGE PX30-30"	40	100	OK	11,13
FC036	PURTREX CARTRIDGE PX50-30"	40	100	OK	10,43
FC040	PURTREX CARTRIDGE PX01-40"	40	100	OK	17,03
FC041	PURTREX CARTRIDGE PX03-40"	40	100	OK	18,62
FC042	PURTREX CARTRIDGE PX05-40"	40	100	OK	15,47
FC043	PURTREX CARTRIDGE PX10-40"	40	100	OK	14,96
FC044	PURTREX CARTRIDGE PX20-40"	40	100	OK	15,52
FC045	PURTREX CARTRIDGE PX30-40"	40	100	OK	14,90
FC046	PURTREX CARTRIDGE PX50-40"	40	100	OK	14,26



## Purtrex Filtering Cartridges

Ref	Nominal Length (inch)	Length (mm)	Micron
FC010	10"	251	1
FC011	10"	251	3
FC012	10"	251	5
FC013	10"	251	10
FC014	10"	251	20
FC015	10"	251	30
FC016	10"	251	50
FC017	10"	251	75
FC020	20"	508	1
FC021	20"	508	3
FC022	20"	508	5
FC023	20"	508	10
FC024	20"	508	20
FC025	20"	508	30
FC026	20"	508	50
FC030	30"	764	1
FC031	30"	764	3
FC032	30"	764	5
FC033	30"	764	10
FC034	30"	764	20
FC035	30"	764	30
FC036	30"	764	50
FC040	40"	1018	1
FC041	40"	1018	3
FC042	40"	1018	5
FC043	40"	1018	10
FC044	40"	1018	20
FC045	40"	1018	30
FC046	40"	1018	50

Box: WxLxH	Box: Q.ty	Box: Weight	Pallet: WxLxH	Pallet: Q.ty	Pallet: Weight

Certificates	Manufacturer	Sectors
DM174-2004 , FDA21 , NSF42		Domestic, Commercial, Industrial



## Activated Carbon Filtering Cartridges



### Carbon Block End Cap 70

- Extruded activated carbon of Bituminous origin;
- Recommended for pre-filtration applications and for Chlorine removal;
- Dimensions: external diameter = 64 mm; internal diameter = 28 mm; end-cap diameter = 70 mm.
- Max operating temperature = 50 °C.

Ref	Description	Fam.	Subfam.	Disp. Stock	Price Euro
FA012	CARBON BLOCK CARTRIDGE CBC 5" CTO 1 MICRON	40	105	OK	6,76
FA013	CARBON BLOCK CARTRIDGE EB-CB -9"7/8 CTO 10 MICRON	40	105	OK	5,19
FA014	CARBON BLOCK CARTRIDGE CBC 20" CTO 10 MICRON	40	105	OK	7,60

Ref	Nominal Length (inch)	Length (mm)	Microns	Suggested Flow Rate (l/h)	CAP
FA012	5"	124	1	120	White
FA013	10"	250	10	240	White
FA014	20"	508	10	480	White

Box: WxLxH	Box: Q.ty	Box: Weight	Pallet: WxLxH	Pallet: Q.ty	Pallet: Weight

Certificates	Manufacturer	Sectors
DM174-2004		Domestic, Commercial, Industrial



### Carbon Block End Cap 65

- Extruded activated carbon of Bituminous origin.
- Recommended for pre-filtration applications and for Chlorine removal.
- Dimensions: external diameter = 62 mm; internal diameter = 30 mm; end-cap diameter = 65 mm.
- Max operating temperature = 50 °C.

Ref	Description	Fam.	Subfam.	Disp. Stock	Price Euro
FA018	CARBON BLOCK CARTRIDGE 10" CTO 10 MICRON END CAP65	40	105	OK	4,03
FA019	CARBON BLOCK CARTRIDGE 20" CTO 10 MICRON END CAP65	40	105	OK	7,98

Ref	Nominal Length (inch)	Length (mm)	Micron	Suggested Flow Rate (l/h)	CAP
FA018	10"	250	10	240	White
FA019	20"	508	10	480	White

Box: WxLxH	Box: Q.ty	Box: Weight	Pallet: WxLxH	Pallet: Q.ty	Pallet: Weight

Certificates	Manufacturer	Sectors
DM174-2004		Domestic, Commercial, Industrial



## Activated Carbon Filtering Cartridges

### Big Carbon Block

- Bituminous carbon block.
- Suitable for pre-filtration applications and for Chlorine removal.
- Dimensions: external diameter = 108 mm (4 ¼"); internal diameter = 28 mm ; end-cap diameter = 114 mm.

**NOTE: the cartridge FA016 is not suitable for MWG BIG Three-Pieces Filter Housings in our Catalogue.**

Ref.	Description	Fam.	Subfam.	Disp. Stock	Price Euro
FA016-975	CARBON BLOCK CARTRIDGE CBC 9.75" BIG CTO 5 MICRON	40	105	OK	13,19
FA016	CARBON BLOCK CARTRIDGE CBC 10" BIG CTO 5 MICRON	40	105	OK	13,70
FA015	CARBON BLOCK CARTRIDGE CBC 20" BIG CTO 5 MICRON	40	105	OK	32,89

Ref.	Nominal Length (inch)	Length (mm)	Micron	Suggested Flow Rate(l/h)
FA016-975	9.75"	247	5	800
FA016	10"	250	5	800
FA015	20"	508	5	1600

Box: WxLxH	Box: Q.ty	Box: Weight	Pallet: WxLxH	Pallet: Q.ty	Pallet: Weight

Certificates	Manufacturer	Sectors
DM174-2004		Domestic, Commercial, Industrial

### Granular activated carbon

- PE container cartridge empty or with granular activated carbon;
- external diameter 73 mm;
- nominal length 10";
- length 254 mm.

Ref	Description	Fam.	Subfam.	Disp. Stock	Price Euro
FA007	GAC CARTRIDGE 10N 9"7/8 VEGETAL	40	105	OK	12,30
FA008	EMPTY CARTRIDGE 10"	40	105	OK	5,00

Box: WxLxH	Box: Q.ty	Box: Weight	Pallet: WxLxH	Pallet: Q.ty	Pallet: Weight

Certificates	Manufacturer	Sectors
		Domestic, Commercial, Industrial







### Empty Cartridges

- Empty cartridges with body in polyethylene, end caps in PP, prefilter in polyurethane foam and gasket in EPDM;
- Max operating temperature 45°C;
- Refillable with polyphosphate crystals, activated carbon, resins, calcite and Corosex.

Ref	Description	Fam.	Subfam.	Disp. Stock	Price Euro
FAV210	EMPTY CARTRIDGE OD=2,5" L=10"	40	105	OK	6,82
FAV220	EMPTY CARTRIDGE OD=2,5" L=20"	40	105	OK	9,16
FAV410	EMPTY CARTRIDGE OD=4,5" L=10"	40	105	OK	10,74
FAV420	EMPTY CARTRIDGE OD=4,5" L=20"	40	105	OK	15,01

Ref	Nominal Length (inch)	Length (mm)
FAV210	10"	250
FAV220	20"	505
FAV410	10"	250
FAV420	20"	505

Box: WxLxH	Box: Q.ty	Box: Weight	Pallet: WxLxH	Pallet: Q.ty	Pallet: Weight

Certificates	Manufacturer	Sectors
DM174-2004	<b>MWG</b>	Domestic, Commercial



### Washable SS Filtering Cartridges

- With two O-rings 57 mm;
- Dimensions external diameter 70 mm, internal 30 mm;
- Length = 250 mm and Nominal Length 10".

Ref.	Description	Fam.	Subfam.	Disp. Stock	Price Euro
FCAP1050	AISI 304 PLEATED CARTRIDGE 10"-50 MICRON 2 O-RINGS 57 MM	40	105	OK	61,44
FCAL1070	AISI 304 SMOOTH CARTRIDGE 10"-70 MICRON 2 O-RINGS 57 MM	40	105	OK	59,30

Box: WxLxH	Box: Q.ty	Box: Weight	Pallet: WxLxH	Pallet: Q.ty	Pallet: Weight

Certificates	Manufacturer	Sectors
DM174-2004		Domestic, Commercial



### DOE Polyester Filtering Cartridges for OTS Housings

- Washable, with filtration degree 60 micron;
- External diameter 62 mm, internal 27 mm.

Ref.	Description	Fam.	Subfam.	Disp. Stock	Price Euro
FA067	WASHABLE POYESTER CARTRIDGE 60-9	40	105	OK	11,84
FA068	WASHABLE POYESTER CARTRIDGE 60-20	40	105	OK	23,31

Ref	Nominal Lenght (pollici)	Lenght (mm)
FA067	10"	248
FA068	20"	505

Box: WxLxH	Box: Q.ty	Box: Weight	Pallet: WxLxH	Pallet: Q.ty	Pallet: Weight

Certificates	Manufacturer	Sectors
DM174-2004		Domestic, Commercial, Industrial



### OR222 Nylon Filtering Cartridges for OTS Housings

- Washable, with filtration degree 60 micron;
- To fit into OTS brass head housings 1 ¼" - 1 ½" - 2" models;
- External diameter 61 mm;
- With 222 O-rings;
- Max ΔP recommended 1,4 bar.

Ref	Description	Fam.	Subfam.	Disp. Stock	Price Euro
FB067	WASHABLE NYLON CARTRIDGE 60 MICRON OTS 10" - OR22	40	105	OK	11,27
FB068	WASHABLE CARTRIDGE NYLON 60 MICRON OTS 20" - OR22	40	105	OK	23,66

Ref	Nominal Lenght (inch)	Lenght (mm)	Flow Δp=0,2 bar (l/h)
FB067	10"	250	1800
FB068	20"	505	3600

Box: WxLxH	Box: Q.ty	Box: Weight	Pallet: WxLxH	Pallet: Q.ty	Pallet: Weight

Certificates	Manufacturer	Sectors
DM174-2004 ACS		Domestic, Commercial



FAAP1050 FAAL1070



### AISI 316 Filtering DOE Cartridges for Hot Water

- Washable and suitable for MWG Hot Water Filter Housings on catalog;
- Dimensions external diameter 70 mm, internal 30 mm;
- Nominal Length 10" (= 250 mm ) and 20" (= 505 mm );
- Range temperature 4 - 80°C.

Ref	Description	Fam.	Subfam.	Disp. Stock	Price Euro
FAAP1050	MWG AISI 316 PLEATED CARTRIDGE 10"-50 MICRON	40	105	OK	76,43
FAAL1070	MWG AISI 316 SMOOTH CARTRIDGE 10"-70 MICRON	40	105	OK	63,43
FAAP2050	MWG AISI 316 PLEATED CARTRIDGE 20" - 50 MICRON	40	105	OK	160,35
FAAL2070	MWG AISI 316 SMOOTH CARTRIDGE L=20"-70 MICRON	40	105	OK	120,83

Box: WxLxH	Box: Q.ty	Box: Weight	Pallet: WxLxH	Pallet: Q.ty	Pallet: Weight

Certificates	Manufacturer	Sectors
DM174-2004 ACS	<b>MWG</b>	Domestic, Commercial, Industrial



### Nylon Mesh Filtering Cartridge with PP Reinforcement

- Washable and inspectable cartridge;
- Filtration degree 60 micron;
- Dimensions external diameter 62 mm, internal 27 mm;
- Length 9 3/4" (=250 mm) or 20".

Ref.	Description	Fam.	Subfam.	Disp. Stock	Price Euro
FA060	MWG 10" CARTRIDGE POLYESTER WASHABLE NET 60 MICRON	40	105	OK	9,50
FA9RP2060	MWG 20" CARTRIDGE POLYESTER WASHABLE NET 60 MICRON	40	105	OK	21,89

Box: WxLxH	Box: Q.ty	Box: Weight	Pallet: WxLxH	Pallet: Q.ty	Pallet: Weight

Certificates	Manufacturer	Sectors
	<b>MWG</b>	Domestic, Commercial, Industrial



### Wound Polypropylene Cartridge with AISI 316 Core for Hot Water Filters

- To install with our Hot Water Filters on catalogue;
- dimensions external diameter 60 mm, internal 27 mm;
- length 250 mm, nominal length 10";
- max operating temperature 80°C.

Ref	Description	Fam.	Subfam.	Disp. Stock	Price Euro
FA071	MWG STRING WOUND CARTRIDGE AISI 316 CORE DLSW5-975	40	105	OK	7,75
FA072	MWG STRING WOUND CARTRIDGE AISI316 CORE DLSW10-975	40	105	OK	7,75
FA074	MWG STRING WOUND CARTRID. AISI316 CORE DLSW50-975E	40	105	OK	7,75

Ref	Description	Micron
FA071	MWG STRING WOUND CARTRIDGE AISI 316 CORE DLSW5-975	5
FA072	MWG STRING WOUND CARTRIDGE AISI316 CORE DLSW10-975	10
FA074	MWG STRING WOUND CARTRID. AISI316 CORE DLSW50-975E	50

Certificates	Manufacturer	Sectors
DM174-2004	<b>MWG</b>	Domestic, Commercial, Industrial



## Filtering Cartridges

### Empty Cartridges



- plastic empty cartridge;
- external diameter 70 mm;
- to be filled with polyphosphates crystals, activated carbon, resins.

Ref.	Description	Fam.	Subfam.	Disp. Stock	Price Euro
FA9VP10	MWG EMPTY CARTRIDGE 10"	40	105	OK	6,61
FA9VP20	MWG EMPTY CARTRIDGE 20"	40	105	OK	13,21

Ref.	Nominal Length (inch)	Length (mm)	Volume (Liters)
FA9VP10	10"	252	0,6
FA9VP20	20"	510	1,2

Box: WxLxH	Box: Q.ty	Box: Weight	Pallet: WxLxH	Pallet: Q.ty	Pallet: Weight

Certificates	Manufacturer	Sectors
DM174-2004	<b>MWG</b>	Domestic

### PP Melt Blown 5" Filtering Cartridge

- melt blown polypropylene fibers cartridge; dimensions external diameter 64 mm, internal 25 mm.

Ref	Description	Fam.	Subfam.	Disp. Stock	Price Euro
FA021	IN FIBER CARTRIDGE PP 5" SED 5 MICRON	40	105	OK	1,80

Ref	Nominal Length (inch)	Length (mm)	Micron
FA021	5"	126	5

Box: WxLxH	Box: Q.ty	Box: Weight	Pallet: WxLxH	Pallet: Q.ty	Pallet: Weight

Certificates	Manufacturer	Sectors
		Domestic, Commercial, Industrial

### Big Washable Mesh Cartridges

- Washable plastic mesh for sediment removal; - External diameter 120 mm.

Ref.	Description	Fam.	Subfam.	Disp. Stock	Price Euro
FA9BL09C1	MWG WASHABLE NET BIG CARTRIDGE 9.75" - 100 MICRON	40	105	OK	32,75
FA9BL20C1	MWG WASHABLE NET BIG CARTRIDGE 20" - 100 MICRON	40	105	OK	60,71

Ref.	Nominal Length (inch)	Length (mm)	Micron
FA9BL09C1	9,75"	250	100
FA9BL20C1	20"	508	100

Box: WxLxH	Box: Q.ty	Box: Weight	Pallet: WxLxH	Pallet: Q.ty	Pallet: Weight

Certificates	Manufacturer	Sectors
DM174-2004	<b>MWG</b>	Domestic, Commercial





## MWG Pleated Filter Cartridges



- Washable and reusable cartridges;
- Suitable for R.O. prefiltration applications, water process, cooling waters, wastewater, deionized water, plating chemicals;
- ID 28 mm;
- Max operating temperature = 38 °C;
- Max pressure drops 4 bar;
- 30" and 40" lenghts available on demand.

Ref.	Description	Fam.	Subfam.	Disp. Stock	Price Euro
FAPL09200	PLEATED FILTER 9,75" OD=2,5" 0,35 MICRON	40	105	OK	5,76
FAPL09201	PLEATED FILTER 9,75" OD=2,5" 1 MICRON	40	105	OK	5,76
FAPL09205	PLEATED FILTER 9,75" OD=2,5" 5 MICRON	40	105	OK	4,09
FAPL09210	PLEATED FILTER 9,75" OD=2,5" 10 MICRON	40	105	OK	4,09
FAPL09220	PLEATED FILTER 9,75" OD=2,5" 20 MICRON	40	105	OK	4,09
FAPL09250	PLEATED FILTER 9,75" OD=2,5" 50 MICRON	40	105	OK	4,09
FAPL20200	PLEATED FILTER 20" OD=2,5" 0,35 MICRON	40	105	OK	11,52
FAPL20201	PLEATED FILTER 20" OD=2,5" 1 MICRON	40	105	OK	11,52
FAPL20205	PLEATED FILTER 20" OD=2,5" 5 MICRON	40	105	OK	8,19
FAPL20210	PLEATED FILTER 20" OD=2,5" 10 MICRON	40	105	OK	8,19
FAPL20220	PLEATED FILTER 20" OD=2,5" 20 MICRON	40	105	OK	8,19
FAPL20250	PLEATED FILTER 20" OD=2,5" 50 MICRON	40	105	OK	8,19

Ref.	Nominal Lenght (inch)	Lenght (mm)	External Diameter (inches)	External Diameter(mm)	Micron
FAPL09200	9,75"	248	2,5"	68	0,35
FAPL09201	9,75"	248	2,5"	68	1
FAPL09205	9,75"	248	2,5"	68	5
FAPL09210	9,75"	248	2,5"	68	10
FAPL09220	9,75"	248	2,5"	68	20
FAPL09250	9,75"	248	2,5"	68	50
FAPL20200	20"	508	2,5"	68	0,35
FAPL20201	20"	508	2,5"	68	1
FAPL20205	20"	508	2,5"	68	5
FAPL20210	20"	508	2,5"	68	10
FAPL20220	20"	508	2,5"	68	20
FAPL20250	20"	508	2,5"	68	50

Box: WxLxH	Box: Q.ty	Box: Weight	Pallet: WxLxH	Pallet: Q.ty	Pallet: Weight

Certificates	Manufacturer	Sectors
	<b>MWG</b>	Domestic, Commercial, Industrial



## MWG BIG Pleated Filter Cartridges



- Washable and reusable cartridges;
- Suitable for R.O. prefiltration applications, water process, cooling waters, wastewater, deionized water, plating chemicals;
- ID 28 mm;
- Max operating temperature = 38 °C;
- Max pressure drops 4 bar;
- 30" and 40" lenghts available on demand.

Ref.	Description	Fam.	Subfam.	Disp. Stock	Price Euro
FAPL09400	PLEATED FILTER 9,75" OD=4,5" 0,35 MICRON	40	105	OK	14,80
FAPL09401	PLEATED FILTER 9,75" OD=4,5" 1 MICRON	40	105	OK	14,80
FAPL09405	PLEATED FILTER 9,75" OD=4,5" 5 MICRON	40	105	OK	10,90
FAPL09410	PLEATED FILTER 9,75" OD=4,5" 10 MICRON	40	105	OK	10,90
FAPL09420	PLEATED FILTER 9,75" OD=4,5" 20 MICRON	40	105	OK	10,90
FAPL09450	PLEATED FILTER 9,75" OD=4,5" 50 MICRON	40	105	OK	10,90
FAPL20400	PLEATED FILTER 20" OD=4,5" 0,35 MICRON	40	105	OK	29,62
FAPL20401	PLEATED FILTER 20" OD=4,5" 1 MICRON	40	105	OK	29,62
FAPL20405	PLEATED FILTER 20" OD=4,5" 5 MICRON	40	105	OK	21,81
FAPL20410	PLEATED FILTER 20" OD=4,5" 10 MICRON	40	105	OK	21,81
FAPL20420	PLEATED FILTER 20" OD=4,5" 20 MICRON	40	105	OK	21,81
FAPL20450	PLEATED FILTER 20" OD=4,5" 50 MICRON	40	105	OK	21,81

Ref.	Nominal Lenght (inch)	Lenght (mm)	External Diameter (inches)	External Diameter(mm)	Micron
FAPL09400	9,75"	248	4,5"	115	0,35
FAPL09401	9,75"	248	4,5"	115	1
FAPL09405	9,75"	248	4,5"	115	5
FAPL09410	9,75"	248	4,5"	115	10
FAPL09420	9,75"	248	4,5"	115	20
FAPL09450	9,75"	248	4,5"	115	50
FAPL20400	20"	508	4,5"	115	0,35
FAPL20401	20"	508	4,5"	115	1
FAPL20405	20"	508	4,5"	115	5
FAPL20410	20"	508	4,5"	115	10
FAPL20420	20"	508	4,5"	115	20
FAPL20450	20"	508	4,5"	115	50

Box: WxLxH	Box: Q.ty	Box: Weight	Pallet: WxLxH	Pallet: Q.ty	Pallet: Weight

Certificates	Manufacturer	Sectors
	<b>MWG</b>	Domestic, Commercial, Industrial



## Residential Cintropur Filters



- range of filters for drinking water entirely made in synthetic material;
- the particular centrifugal effect causes the precipitation of larger particles, while the final filtration is assured by the filter sleeve;
- the filters include the sleeve at 25 micron;
- also available sleeves at 1, 10, 50 and 100 micron as spare parts;
- wrench and two complete connections included;
- max operating pressure 10 bar;
- max operating temperature 50°C.

Ref.	Description	Fam.	Subfam.	Disp. Stock	Price Euro
FB401	FILTER CINTROPUR NW 25-3/4" - 25 MICRON	40	113	OK	142,38
FB402	FILTER CINTROPUR NW 25-1" - 25 MICRON	40	113	OK	142,38
FB403	FILTER CINTROPUR NW 32-1 1/4" - 25 MICRON	40	113	OK	198,22

Ref.	Connections	Flow m <sup>3</sup> /h Δp 0,2 bar	Height (mm)	Width (mm)
FB401	3/4"	5,5	355	270
FB402	1"	5,5	355	270
FB403	1 1/4"	6,5	540	270

Box: WxLxH	Box: Q.ty	Box: Weight	Pallet: WxLxH	Pallet: Q.ty	Pallet: Weight

Certificates	Manufacturer	Sectors
DM174-2004 ACS	Cintropur	Domestic, Commercial

## Accessories and spare parts

Ref	Description	Fam.	Subfam.	Disp. Stock	Price Euro
FB470	SPANNER NW18/25/32 REF. 21	40	112	OK	6,42
FB472	MANOMETER 1/8" SCALE 0-10 BAR NW 18/25/32 REF 23	40	112	OK	24,08
FB473	SINGLE PP MOUNTING BRACKET NW18/25/32 REF. 24	40	112	OK	20,47
FB444	N. 5 SPARE SLEEVES KIT 1 MICRON NW 25	40	112	OK	24,89
FB426	N. 5 SPARE SLEEVES KIT 10 MICRONS NW 25	40	112	NO	22,08
FB427	N. 5 SPARE SLEEVES KIT 25 MICRONS NW 25	40	112	OK	18,46
FB428	N. 5 SPARE SLEEVES KIT 50 MICRONS NW 25	40	112	OK	18,86
FB429	N. 5 SPARE SLEEVES KIT 100 MICRONS NW 25	40	112	OK	18,86
FB445	N. 5 SPARE SLEEVES KIT 1 MICRON NW 32	40	112	OK	36,13
FB433	N. 5 SPARE SLEEVES KIT 25 MICRONS NW 32	40	112	OK	28,50
FB434	N. 5 SPARE SLEEVES KIT 50 MICRONS NW 32	40	112	OK	30,11
FB435	N. 5 SPARE SLEEVES KIT 100 MICRONS NW 32	40	112	OK	26,49



## Commercial Cintropur Filters



- range of filters for drinking water entirely made in synthetic material;
- the particular centrifugal effect causes the precipitation of larger particles, while the final filtration is assured by the filter sleeve;
- the filters include the sleeve at 25 micron;
- also available sleeves at 1, 5, 10, 50, 100, 150 and 300 micron as spare parts;
- wrench, pressure gauge and drain cock included;
- max operating pressure 10 bar;
- max pressure 16 bar;
- max operating temperature 50°C.

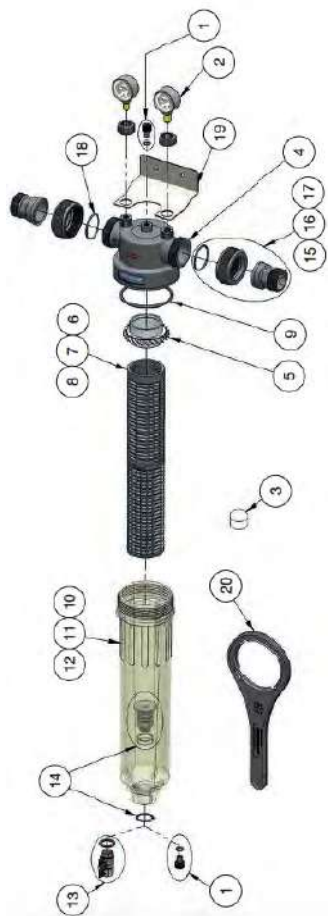
Ref	Description	Fam.	Subfam.	Disp. Stock	Price Euro
FB404	FILTER CINTROPUR NW 280-1" - 25 MICRON	40	113	OK	345,85
FB405	FILTER CINTROPUR NW 340-1"1/4 - 25 MICRON	40	113	OK	385,57
FB406	FILTER CINTROPUR NW 400-1,5" - 25 MICRON	40	113	OK	454,52

Ref	Flow m <sup>3</sup> /h Δp 0,2 bar	Weight (kg)	Connections	Ø Pipe	Total Width (mm)	Total Height (mm)
FB404	7	2,2	1" BSPT	1"	284	472
FB405	10	2,7	1¼"BSPT	1 ¼"	284	573
FB406	12	2,9	1½"BSPT	1 ½"	284	675

Box: WxLxH	Box: Q.ty	Box: Weight	Pallet: WxLxH	Pallet: Q.ty	Pallet: Weight

Certificates	Manufacturer	Sectors
DM174-2004 ACS	Cintropur	Commercial





Item	Ref.	Description	Fam.	Subfam.	Disp. Stock	Price Euro
7	FB453C	NW340 PVC FILTERING SUPPORT ARMOR	40	112	NO	43,76
18	FB499C	O-RING FOR NW280/340/400 CONNECTIONS	40	112	NO	2,40
20	FB479C	NW280-340-400 WRENCH	40	112	NO	14,85
Not shown	FB437C	N. 5 SPARE SLEEVES KIT 5 MICRON NW 280	40	112	OK	27,30
Not shown	FB440C	N. 5 SPARE SLEEVES KIT 50 MICRON NW 280	40	112	OK	23,68
Not shown	FB440D	N. 5 SPARE SLEEVES KIT 50 MICRON NW 340	40	112	OK	36,13
Not shown	FB441D	N. 5 SPARE SLEEVES KIT 100 MICRON NW 340	40	112	OK	36,13
Not shown	FB443D	N. 5 SPARE SLEEVES KIT 300 MICRON WASHABLE NW 340	40	112	NO	104,78
Not shown	FB439E	N. 5 SPARE SLEEVES KIT 25 MICRON NW 400	40	112	OK	38,14
Not shown	FB440E	N. 5 SPARE SLEEVES KIT 50 MICRON NW 400	40	112	OK	39,74
Not shown	FB441E	N. 5 SPARE SLEEVES KIT 100 MICRON NW 400	40	112	OK	40,95



## Industrial Cintropur Filters



- range of filters for drinking water entirely made in synthetic material;
- the particular centrifugal effect causes the precipitation of larger particles, while the final filtration is assured by the filter sleeve;
- the filters include the sleeve at 25 micron;
- also available sleeves at 5, 10, 50, 100, 150 and 300 micron as spare parts;
- wrench, pressure gauge and drain cock included;
- max operating pressure 10 bar;
- max pressure 16 bar;
- max operating temperature 50°C.

Ref	Description	Fam.	Subfam.	Disp. Stock	Price Euro
FB408A	FILTER CINTROPUR NW 500-2" - 25 MICRON	40	113	OK	703,33
FB408TE	FILTER CINTROPUR NW 500 - 2" - TE	40	113	OK	763,65
FB409A	FILTER CINTROPUR NW 650-2"1/2 - 25 MICRON	40	113	OK	806,00
FB410A	FILTER CINTROPUR NW 800-3" - 25 MICRON	40	113	OK	982,48

Ref	Flow m <sup>3</sup> /h con Δp 0,2 bar	Weight (kg)	Connections	Ø Pipe	Total Height (mm)	Total Width (mm)
FB408A	18	6,4	2" BSPT	2"	363	770
FB408TE	2	6,4	2" BSPT	2"	363	770
FB409A	25	7,0	DN65	2 1/2"	304	770
FB410A	32	7,4	DN80	3"	313	770

Box: WxLxH	Box: Q.ty	Box: Weight	Pallet: WxLxH	Pallet: Q.ty	Pallet: Weight

Certificates	Manufacturer	Sectors
DM174-2004 ACS	Cintropur	Commercial, Industrial



## Industrial Cintropur Filters

### Spare Parts and Accessories



Rif. N.	Ref	Description	Fam.	Subfam.	Disp. Stock	Price Euro
53	FB484A	SUPPORT ARMOR NW500/650/800 REF.53	40	112	NO	63,43
55	FB486A	HEAD O-RING NW500/650/800 REF. 55	40	112	NO	6,02
56	FB488A	TRANSPARENT BOWL NW500/650/800 REF. 56	40	112	NO	193,72
62	FB479	SPANNER NW500/650/800 REF. 62	40	112	OK	24,08
69	FB492C	NW280/340/400/500/650/800 1/4" PRESSURE GAUGE 0÷20 BAR	40	112	NO	34,52
70	FB499	MANIFOLD O-RING CONNECTIONS NW500/650 REF. 70	40	112	NO	2,40
71	FB499A	MANIFOLD O-RING CONNECTIONS NW800 REF. 71	40	112	NO	2,81
Not shown	FB437	N. 5 SPARE SLEEVES KIT 5 MICRONS NW 50/62/75/500/650/800	40	112	OK	55,80
Not shown	FB438	N. 5 SPARE SLEEVES KIT 10 MICRONS NW 50/62/75/500/650/800	40	112	OK	52,19
Not shown	FB439	N. 5 SPARE SLEEVES KIT 25 MICRONS NW 50/62/75/500/650/800	40	112	OK	38,94
Not shown	FB440	N. 5 SPARE SLEEVES KIT 50 MICRONS NW 50/62/75/500/650/800	40	112	OK	40,14
Not shown	FB441	N. 5 SPARE SLEEVES KIT 100 MICRONS NW 50/62/75/500/650/800	40	112	OK	39,74
Not shown	FB442	N. 5 SPARE SLEEVES KIT WASHABLE 150 MICRONS NW 50/62/75/500/650/800	40	112	OK	158,18
Not shown	FB443	N. 5 SPARE SLEEVES KIT WASHABLE 300 MICRONS NW 50/62/75/500/650/800	40	112	OK	153,76



## MWG MD Two Pieces Filter Housings, with IN/OUT 3/4" connections



- Made in European Union (Italy);
- Two pieces filter housings for standard filtering cartridges length 5", 10" or 20";
- Fixable head in material PP reinforced blue colour;
- Bowl in transparent PET or in blue PP;
- O-ring in NBR;
- IN/OUT connections 3/4" BSPP F;
- With air valve;
- Max operating pressure 8,6 bar;
- Temperature 4 ÷ 40°C.

Ref.	Description	Fam.	Subfam.	Disp. Stock	Price Euro
FB9MD0507B	MWG TWO PIECES FILTER HOUSING 3/4" - L=5" BLUE BOWL	40	106	OK	22,91
FB9MD1007B	MWG TWO PIECES FILTER HOUSING 3/4" - L=10" BLUE BOWL	40	106	OK	22,91
FB9MD1007T	MWG TWO PIECES FILTER HOUSING 3/4" - L=10" CLEAR BOWL	40	106	OK	22,15
FB9MD2007B	MWG TWO PIECES FILTER HOUSING 3/4" - L=20" BLUE BOWL	40	106	OK	45,21
FB9MD2007T	MWG TWO PIECES FILTER HOUSING 3/4" - L=20" CLEAR BOWL	40	106	OK	45,21

Ref.	Head Dimension (mm)	Total Length (mm)
FB9MD0507B	133	180
FB9MD1007B	133	310
FB9MD1007T	133	310
FB9MD2007B	133	595
FB9MD2007T	133	595

Box: WxLxH	Box: Q.ty	Box: Weight	Pallet: WxLxH	Pallet: Q.ty	Pallet: Weight

Certificates	Manufacturer	Sectors
DM174-2004, DM25-2012, ACS	<b>MWG</b>	Domestic, Commercial



## Spare Parts and Accessories for Two-Piece MWG MD Filter Housings

### Accessories

Ref.	Description	Fam.	Subfam.	Disp. Stock	Price Euro
FB9MDR11	MWG PLASTIC SPANNER FOR FILTER FB9MD	40	106	OK	1,85
FB9MDR21	PLASTIC BRACKET WITH SCREWS FOR SINGLE FILTER 2 PIECES	40	106	OK	4,83
FB9MDR24	BRACKET WITH SCREWS FOR TWO FILTER 2 PIECES	40	106	OK	6,19
FB9MDR37	MWG NIPPLE 3/4" BSP M/M IN PPV WITH O-RING FOR FILTER MWG 2 PCS, 3 PCS, BIG 3PCS	40	106	OK	2,89
FB9MTR31	MWG NIPPLE 1" BSP M/M BRASS WITH O-RING FOR FILTER MWG 2 PCS AND 3 PCS	40	106	OK	16,10

### Spare Parts

Ref.	Description	Fam.	Subfam.	Disp. Stock	Price Euro
FB9MDR52	MWG 3/4" BSPP HEAD FOR 2 PIECES FILTER HOUSING	40	106	NO	21,68
FB9MDR61	MWG BLUE BOWL 10" FOR 2 PIECES FILTER HOUSING + O-RING	40	106	NO	29,48
FB9MDR62	MWG BOWL CLEAR 10" FOR 2 PIECES FILTER HOUSING + O-RING	40	106	NO	20,85
FB9MDR65	MWG BLUE BOWL 20" FOR 2 PIECES FILTER HOUSING + O-RING	40	106	NO	46,66
FB9MDR66	MWG BOWL CLEAR 20" FOR 2 PIECES FILTER HOUSING + O-RING	40	106	NO	60,87
FB9MDR71	MWG O-RING FOR HEAD 2 PIECES FILTER HOUSING	40	106	NO	0,53
FB9MDR91	MWG BREATHER-VALVE WITH O-RING FOR HEAD 2 PIECES FILTER HOUSING	40	106	NO	0,61



## Three-Piece MWG BIG Filter Housings



- Made in European Union (Italy);
- Suitable for 4,5" diameter DOE high flow cartridges;
- Fixable head and nut in PP blue color; Clear Bowl in PET or White Bowl in PP material;
- O-ring in NBR; Complete with air valve; IN/OUT connections BSPP;
- Max operating pressure 6 bar; Temperature 4 ÷ 40°C;
- With plastic wrench (ref. FB9BGR11).

• Note: the installation of a pressure reducer is recommended.

Ref.	Description	Fam.	Subfam.	Disp. Stock	Price Euro
FB9BG0907T	MWG FILTER HOUSING BIG 3 PIECES L=9.75" 3/4" CLEAR BOWL WITH WRENCH	40	106	OK	99,11
FB9BG0907W	MWG FILTER HOUSING BIG 3 PIECES L=9.75" 3/4" WHITE BOWL WITH WRENCH	40	106	OK	84,66
FB9BG0910T	MWG FILTER HOUSING BIG 3 PIECES L=9.75" 1" CLEAR BOWL WITH WRENCH	40	106	OK	99,11
FB9BG0910W	MWG FILTER HOUSING BIG 3 PIECES L=9.75" 1" WHITE BOWL WITH WRENCH	40	106	OK	76,19
FB9BG0915T	MWG FILTER HOUSING BIG 3 PIECES L=9.75" 1,5" CLEAR BOWL WITH WRENCH	40	106	OK	103,24
FB9BG0915W	MWG FILTER HOUSING BIG 3 PIECES L=9.75" 1,5" WHITE BOWL WITH WRENCH	40	106	OK	76,19
FB9BG2007T	MWG FILTER HOUSING BIG 3 PIECES L=20" 3/4" CLEAR BOWL WITH WRENCH	40	106	OK	109,43
FB9BG2007W	MWG FILTER HOUSING BIG 3 PIECES L=20" 3/4" WHITE BOWL WITH WRENCH	40	106	OK	92,92
FB9BG2010T	MWG FILTER HOUSING BIG 3 PIECES L=20" 1" CLEAR BOWL WITH WRENCH	40	106	OK	109,43
FB9BG2010W	MWG FILTER HOUSING BIG 3 PIECES L=20" 1" WHITE BOWL WITH WRENCH	40	106	OK	85,94
FB9BG2015T	MWG FILTER HOUSING BIG 3 PIECES L=20" 1,5" CLEAR BOWL WITH WRENCH	40	106	OK	114,80
FB9BG2015W	MWG FILTER HOUSING BIG 3 PIECES L=20" 1,5" WHITE BOWL WITH WRENCH	40	106	OK	91,05

Ref.	In/Out Connection (inch)	Head Dimension (mm)	Total Length (mm)
FB9BG0907T	3/4" F	196	374
FB9BG0907W	3/4" F	196	374
FB9BG0910T	1" F	196	374
FB9BG0910W	1" F	196	374
FB9BG0915T	1,5" F	196	374
FB9BG0915W	1,5" F	196	374
FB9BG2007T	3/4" F	196	632
FB9BG2007W	3/4" F	196	632
FB9BG2010T	1" F	196	632
FB9BG2010W	1" F	196	632
FB9BG2015T	1,5" F	196	632
FB9BG2015W	1,5" F	196	632

Box: WxLxH	Box: Q.ty	Box: Weight	Pallet: WxLxH	Pallet: Q.ty	Pallet: Weight

Certificates	Manufacturer	Sectors
DM174-2004, DM25-2012	<b>MWG</b>	Domestic, Commercial

### Matching Cartridges

- BIG PP microfiber filtering cartridges;
- BIG CARBON BLOCK filtering cartridges.

Note: For Housings L=9.75" the cartridge CBC is our ref. FA016-975



## Three-Piece MWG BIG Filter Housings with By-pass



- Made in European Union (Italy);
- Suitable for 4,5" diameter DOE high flow cartridges;
- Fixable head and nut in PP blue color; Clear Bowl in PET or White Bowl in PP material;
- O-ring in NBR; complete with air valve;
- Max operating pressure 6 bar; Temperature 4 ÷ 40°C;
- IN/OUT connections BSPP;
- With plastic wrench (ref. FB9BGR11).
- Note: the installation of a pressure reducer is recommended.

Ref.	Description	Fam.	Subfam.	Disp. Stock	Price Euro
FB9BG0907TBP	MWG FILTER HOUSING BIG 3 PIECES L=9.75" 3/4" CLEAR BOWL WITH BY-PASS WITH WRENCH	40	106	OK	206,48
FB9BG0907WBP	MWG FILTER HOUSING BIG 3 PIECES L=9.75" 3/4" WHITE BOWL WITH BY-PASS WITH WRENCH	40	106	OK	189,96
FB9BG0910TBP	MWG FILTER HOUSING BIG 3 PIECES L=9.75" 1" CLEAR BOWL WITH BY-PASS WITH WRENCH	40	106	OK	206,48
FB9BG0910WBP	MWG FILTER HOUSING BIG 3 PIECES L=9.75" 1" WHITE BOWL WITH BY-PASS WITH WRENCH	40	106	OK	189,96
FB9BG0915TBP	MWG FILTER HOUSING BIG 3 PIECES L=9.75" 1,5" CLEAR BOWL WITH BY-PASS WITH WRENCH	40	106	OK	206,48
FB9BG0915WBP	MWG FILTER HOUSING BIG 3 PIECES L=9.75" 1,5" WHITE BOWL WITH BY-PASS WITH WRENCH	40	106	OK	206,48
FB9BG2007TBP	MWG FILTER HOUSING BIG 3 PIECES L=20" 3/4" CLEAR BOWL WITH BY-PASS WITH WRENCH	40	106	OK	289,07
FB9BG2007WBP	MWG FILTER HOUSING BIG 3 PIECES L=20" 3/4" WHITE BOWL WITH BY-PASS WITH WRENCH	40	106	OK	272,55
FB9BG2010TBP	MWG FILTER HOUSING BIG 3 PIECES L=20" 1" CLEAR BOWL WITH BY-PASS WITH WRENCH	40	106	OK	289,07
FB9BG2010WBP	MWG FILTER HOUSING BIG 3 PIECES L=20" 1" WHITE BOWL WITH BY-PASS WITH WRENCH	40	106	OK	272,55
FB9BG2015TBP	MWG FILTER HOUSING BIG 3 PIECES L=20" 1,5" CLEAR BOWL WITH BY-PASS WITH WRENCH	40	106	OK	309,72
FB9BG2015WBP	MWG FILTER HOUSING BIG 3 PIECES L=20" 1,5" WHITE BOWL WITH BY-PASS WITH WRENCH	40	106	OK	297,33

Ref.	In/Out Connection (inch)	Head Dimension (mm)	Total Length (mm)
FB9BG0907TBP	3/4" F	196	374
FB9BG0907WBP	3/4" F	196	374
FB9BG0910TBP	1" F	196	374
FB9BG0910WBP	1" F	196	374
FB9BG0915TBP	1,5" F	196	374
FB9BG0915WBP	1,5" F	196	374
FB9BG2007TBP	3/4" F	196	632
FB9BG2007WBP	3/4" F	196	632
FB9BG2010TBP	1" F	196	632
FB9BG2010WBP	1" F	196	632
FB9BG2015TBP	1,5" F	196	632
FB9BG2015WBP	1,5" F	196	632

Box: WxLxH	Box: Q.ty	Box: Weight	Pallet: WxLxH	Pallet: Q.ty	Pallet: Weight

Certificates	Manufacturer	Sectors
DM174-2004, DM25-2012	<b>MWG</b>	Domestic, Commercial

### Matching Cartridges

- BIG PP microfiber filtering cartridges;
- BIG CARBON BLOCK filtering cartridges.

Note: For Housings L=9.75" the cartridge CBC is our ref. FA016-975



## Spare Parts and Accessories for Three-Piece MWG BIG Filter Housings with or without By-pass

### Accessories

Ref.	Description	Fam.	Subfam.	Disp. Stock	Price Euro
FB9BGR21	SS PAINTED MOUNTING BRACKET FOR 1 MWG FILTER HOUSING BIG 3 PIECES	40	106	OK	35,02
FB9BGR45	PRESSURE GAUGE FOR MWG FILTER HOUSING BIG 3 PIECES	40	106	OK	51,20
FB9MDR37	MWG NIPPLE 3/4" BSP M/M IN PPFV WITH O-RING FOR FILTER MWG 2 PCS, 3 PCS, BIG 3PCS	40	106	OK	2,89
FB9BGR31	MWG NIPPLE 1" BSP M/M BRASS FOR FILTER MWG BIG 3PCS	40	106	OK	14,12

### Spare Parts

Ref.	Description	Fam.	Subfam.	Disp. Stock	Price Euro
FB9BGR11	WRENCH FOR MWG FILTER HOUSING BIG 3 PIECES	40	106	OK	8,22
FB9BGR52	MWG 1,5" HEAD FOR BIG 3 PIECES FILTER HOUSING	40	106	NO	53,04
FB9BGR71	MWG O-RING FOR BIG 3 PIECES FILTER HOUSING CLEAR BOWL	40	106	OK	4,79
FB9BGR72	MWG O-RING FOR BIG 3 PIECES FILTER HOUSING WHITE BOWL	40	106	OK	5,20





## MWG MT Three Pieces Filter Housings



- Made in European Union (Italy);
- Three pieces filter housings for standard filtering cartridges length 10" or 20";
- Fixable head and nut in material PP reinforced blue colour; Bowl in transparent PET or in white opaque PP; O-ring in NBR;
- IN/OUT connections BSPP F 1/2", 3/4" or 1", with brass inserts; With air valve;
- Max operating pressure 8,6 bar; Temperature 4 ÷ 40°C.

Ref.	Description	Fam.	Subfam.	Disp. Stock	Price Euro
FB9MT1005T	MWG THREE PIECES FILTER HOUSING 1/2" - L=10" CLEAR BOWL	40	106	OK	24,15
FB9MT1007T	MWG THREE PIECES FILTER HOUSING 3/4" - L=10" CLEAR BOWL	40	106	OK	24,15
FB9MT1007W	MWG THREE PIECES FILTER HOUSING 3/4" - L=10" WHITE BOWL	40	106	OK	26,84
FB9MT1010T	MWG THREE PIECES FILTER HOUSING 1" - L=10" CLEAR BOWL	40	106	OK	26,84
FB9MT1010W	MWG THREE PIECES FILTER HOUSING 1" - L=10" WHITE BOWL	40	106	OK	30,22
FB9MT2005T	MWG THREE PIECES FILTER HOUSING 1/2" - L=20" CLEAR BOWL	40	106	OK	66,07
FB9MT2007T	MWG THREE PIECES FILTER HOUSING 3/4" - L=20" CLEAR BOWL	40	106	OK	66,07
FB9MT2010T	MWG THREE PIECES FILTER HOUSING 1" - L=20" CLEAR BWL	40	106	OK	66,07
FB9MT2010W	MWG THREE PIECES FILTER HOUSING 1" - L=20" WHITE BOWL	40	106	OK	61,94

Ref.	Connections (inch)	Head Dimension (mm)	Total Length (mm)
FB9MT1005T	1/2"	123	308
FB9MT1007T	3/4"	123	308
FB9MT1007W	3/4"	123	308
FB9MT1010T	1"	133	325
FB9MT1010W	1"	133	325
FB9MT2005T	1/2"	123	595
FB9MT2007T	3/4"	123	595
FB9MT2010T	1"	133	605
FB9MT2010W	1"	133	605

Box: WxLxH	Box: Q.ty	Box: Weight	Pallet: WxLxH	Pallet: Q.ty	Pallet: Weight

Certificates	Manufacturer	Sectors
DM174-2004, DM25-2012, ACS	<b>MWG</b>	Domestic, Commercial



## Spare Parts and Accessories for Three-Piece MWG MT Filter Housings

### Accessories

Ref.	Description	Fam.	Subfam.	Disp. Stock	Price Euro
FB9MTR11	MWG PLASTIC SPANNER FOR FILTER FB9MT	40	106	OK	3,30
FB9MTR21	PLASTIC BRACKET WITH SCREWS FOR SINGLE 3 PIECES FILTER HOUSING	40	106	OK	3,75
FB9MTR41	MWG DIFFUSER TUBE 10" FOR 3 PIECES FILTER HOUSING	40	106	NO	3,55
FB9MDR37	MWG NIPPLE 3/4" BSP M/M IN PPV WITH O-RING FOR FILTER MWG 2 PCS, 3 PCS, BIG 3PCS	40	106	OK	2,89
FB9MTR31	MWG NIPPLE 1" BSP M/M BRASS WITH O-RING FOR FILTER MWG 2 PCS AND 3 PCS	40	106	OK	16,10

### Spare Parts

Ref.	Description	Fam.	Subfam.	Disp. Stock	Price Euro
FB9MTR51	MWG 3/4" HEAD FOR 3 PIECES FILTER HOUSING	40	106	NO	31,38
FB9MTR52	MWG 1" HEAD FOR 3 PIECES FILTER HOUSING	40	106	NO	36,75
FB9MTR53	MWG 1/2" HEAD FOR 3 PIECES FILTER HOUSING	40	106	NO	31,38
FB9MTR61	MWG BOWL WHITE 10" FOR 3 PIECES FILTER HOUSING + O-RING	40	106	NO	27,29
FB9MTR62	MWG BOWL CLEAR 10" FOR 3 PIECES FILTER HOUSING + O-RING	40	106	NO	22,87
FB9MTR66	MWG BOWL CLEAR 20" FOR 3 PIECES FILTER HOUSING + O-RING	40	106	NO	46,87
FB9MTR71	MWG O-RING FOR HEAD 3 PIECES FILTER HOUSING	40	106	OK	2,56
FB9MTR81	MWG NUT FOR 3 PIECES FILTER HOUSING	40	106	OK	11,06
FB9MTR91	MWG BREATHER-VALVE WITH O-RING FOR HEAD 3 PIECES FILTER HOUSING	40	106	NO	3,05



## MWG Manual Cleaning Filters

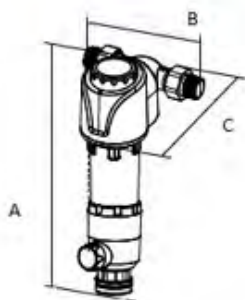
- Made in China;
- Available with and without pressure reducer;
- Suitable for suspended solids removal;
- Unleaded brass head, transparent sump and AISI 316L cartridge;
- Pressure gauge and mounting bracket included, with 3/4" manifold reducer;
- Pressure range 1-10 bar;
- Temperature range 5-40°C;
- Dual screen filter design: 40 micron cut off during service and 90 micron cut off during backwash;
- Flat weave screen, high- efficient cut off;
- The backwash can be activated manually through a knob. The calendar engraved on the ring indicates the last maintenance.

Ref.	Description	Fam.	Subfam.	Disp. Stock	Price Euro
FB933AN	MWG 316L SS MANUAL SELF CLEANING FILTER 1" 400L/H - 1-10 BAR - 40 MICRON	40	110	OK	147,83
FB933AR	MWG 316L SS MANUAL SELF CLEANING FILTER 1" PRESSURE CONTROL TYPE 4000 L/H - 1-10 BAR - 40 MICRON	40	110	OK	199,09

Ref.	In-Out Connections	Flow $\Delta p=0,2$ bar (l/h)	A (mm)	B (mm)	C (mm)
FB933AN	1" M	4000	287	152	154
FB933AR	1" M	4000	339	168	179

Box: WxLxH	Box: Q.ty	Box: Weight	Pallet: WxLxH	Pallet: Q.ty	Pallet: Weight

Certificates	Manufacturer	Sectors
	<b>MWG</b>	Domestic



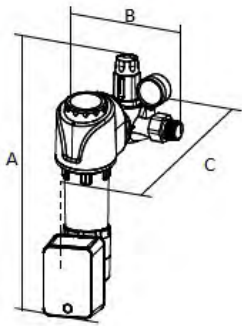


## MWG Self Cleaning Filters



- Made in China;
- Available with and without pressure reducer;
- The touchscreen sets discharge time and frequency of the automatic backwash;
- Suitable for suspended solids removal;
- Unleaded brass head, transparent sump and AISI 316L cartridge;
- Pressure gauge and mounting bracket included, with 3/4" manifold reducer;
- Pressure range 1-10 bar; Temperature range 5-40°C;
- Dual screen filter design: 40 micron cut off during service and 90 micron cut off during backwash;
- Flat weave screen, high- efficient cut off;
- One button controller manages backwash by opening the ball valve automatically. Duration and frequency easily programmable;
- High pressure and speed remove impurities from the filter;
- Filter power adaptor included; AA display batteries not included.

REf.	Description	Fam.	Subfam.	Disp. Stock	Price Euro
FB933PN	MWG 316L SS AUTOMATIC SELF CLEANING FILTER 1" 4000L/H - 1-10 BAR - 40 MICRON - TOUCH CONTROL	40	110	OK	219,23
FB933PR	MWG 316L SS AUTOM. SELF CLEANING FILTER 1" PRESSURE CONTROL TYPE 4000 L/H - 1-10 BAR - 40 MICRON - TOUCH CONTROL	40	110	OK	269,38



Ref.	In-Out Connections	Flow $\Delta p=0,2$ bar (l/h)	A (mm)	B (mm)	C (mm)
FB933PN	1" M	4000	287	152	195
FB933PR	1" M	4000	339	168	210

Box: WxLxH	Box: Q.ty	Box: Weight	Pallet: WxLxH	Pallet: Q.ty	Pallet: Weight

Certificates	Manufacturer	Sectors
CE	<b>MWG</b>	Domestic



## MD, DD and TD two Pieces Filter Housings IN/OUT connections 1/4" for R.O. Systems



FBMD1002T



FBMD1002W



FBDD1002W



FBTD1002W

- Made in European Union (Italy);
- Suitable for residential R.O. and filtration systems;
- Two pieces filter housings for standard filtering cartridges length 10"
- Total height 325 mm;
- Fixable head (single, double or triplex) in material PP reinforced white colour;
- Sump in PET clear or white, O-ring in EPDM;
- IN/OUT connections 1/4" NPT F;
- With air valve;
- Max operating pressure 8 bar, temperature 4 ÷ 45°C;
- Designed for the following single, double or triple brackets (also ideal for 2 + 1 application), with fixing screws.

Ref	Description	Fam.	Subfam.	Disp. Stock	Price Euro
FBMD1002T	MWG TWO PIECES FILTER HOUSING 1/4" - L=10" CLEAR BOWL	30	175	OK	20,64
FBMD1002W	MWG TWO PIECES FILTER HOUSING 1/4" - L=10" WHITE BOWL	30	175	OK	20,89
FBDD1002W	MWG TWO PIECES TWO FILTER HOUSING L=10" - 1/4" WHITE BOWL	30	175	OK	41,79
FBTD1002W	MWG TWO PIECES THREE FILTER HOUSING L=10" - 1/4" WHITE BOWL	30	175	OK	56,82

Ref	Cartridge Length (inch)	Head Dimension (mm)
FBMD1002T	Single	122
FBMD1002W	Single	122
FBDD1002W	Duplex	228
FBTD1002W	Triplex	336

Ref	Box: WxLxH.	Box: Q.ty	Box: Weight.	Pallet: WxLxH.	Pallet: Q.ty	Pallet: Weight.
FBMD1002T						
FBMD1002W						
FBDD1002W						
FBTD1002W						

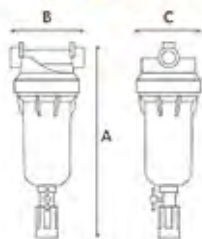
Certificates	Manufacturer	Sectors
DM174-2004 DM25-2012 ACS	<b>MWG</b>	Domestic, Commercial

### Spare Parts and Accessories

Ref	Description	Fam.	Subfam.	Disp. Stock	Price Euro
FBMDR11	MWG PLASTIC SPANNER FOR FILTER MD	40	106	OK	1,89
FBMDR22	MWG WHITE PLASTIC BRACKET WITH SCREWS FOR MD AND MT FILTER HOUSINGS	30	175	OK	2,35
FBMDR24	MWG WHITE BRACKET WITH SCREWS FOR DD AND DT TWO FILTER HOUSINGS	30	175	OK	42,12
FBMDR26	MWG WHITE BRACKET WITH SCREWS FOR TD AND TT THREEFILTER HOUSINGS	30	175	OK	40,09
FBMDR51	MWG WHITE HEAD FOR MD 1/4" NPT FILTER HOUSING	40	106	NO	7,84
FBMDR71	MWG O-RING FOR HEAD MD FILTER HOUSINGS	40	106	OK	0,78



## MWG Self Cleaning Filters with PP Head



- Made in European Union (Italy);
- Range of sediment self cleaning filters, head in material PP reinforced blue colour, clear PET bowl, EPDM o-ring;
- Without cartridge, to order separately;
- With 2 manometers;
- With plastic wrench (ref. FBMDR11).
- Opening the drain valve, a depression is created inside the sump, that lowers the cartridge and reverts the clearing water flow. Closing the valve, the cartridge rises and places the filter in service again. Repeat the action 4-5 times for about 10 seconds each time;
- Easy cartridge disassembly in case of inspection or replacement;
- Range operating pressure 2 - 8 bar; range temperature 4 ÷ 45° C;
- Max ΔP recommended 1 bar.

Ref	Description	Fam.	Subfam.	Disp. Stock	Price Euro
FBPA12T	MWG PP SELF CLEANING FILTER HOUSING 1" 1/4 CLEAR BOWL	40	110	OK	140,48
FBPA15T	MWG PP SELF CLEANING FILTER HOUSING 1.5" CLEARBOWL	40	110	OK	143,75

Ref.	In-Out Connections	Flow Δp=0,2 bar (l/h)	A (mm)	B (mm)	C (mm)
FBPA12T	1" 1/4" F	8000	460	120	107
FBPA15T	1,5" F	10000	460	120	107

Box: WxLxH	Box: Q.ty	Box: Weight	Pallet: WxLxH	Pallet: Q.ty	Pallet: Weight

Certificates	Manufacturer	Sectors
DM174-2004	<b>MWG</b>	Domestic, Commercial

## Filtering Cartridges for MWG Self-Cleaning Filter Housings

- Washable special cartridges and suitable for MWG Self-Cleaning Filter Housings in our Catalogue.



COD: FCOA90NA

COD: FCOA50PP

Ref.	Description	Fam.	Subfam.	Disp. Stock	Price Euro
FCOA50PP	MWG PLASTIC PLEATED CARTRIDGE 50 MICRON FOR SELF CLEANING FILTER	40	105	OK	31,67
FCOA90NA	MWG SS NET CARTRIDGE 90 MICRON FOR SELF CLEANING FILTER	40	105	OK	24,36

Box: WxLxH	Box: Q.ty	Box: Weight	Pallet: WxLxH	Pallet: Q.ty	Pallet: Weight

Certificates	Manufacturer	Sectors
DM174-2004	<b>MWG</b>	Domestic, Commercial

## Accessories

Ref.	Description	Fam.	Subfam.	Disp. Stock	Price Euro
FBOAR99	MWG AUTOMATION KIT FOR BRASS SELF CLEANING FILTER	40	109	NO	630,50

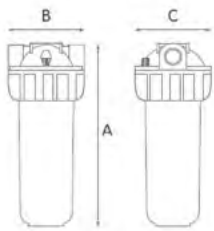
## Spare Parts

Ref.	Description	Fam.	Subfam.	Disp. Stock	Price Euro
FBMDR11	MWG PLASTIC SPANNER FOR FILTER MD	40	106	OK	1,89
FBOAR77	MWG DRAIN KIT FOR BRASS SELF CLEANING FILTER	40	109	NO	28,20





## MWG Filter Housings for Hot Water



- Made in European Union (Italy);
- Fixable head and bowl in reinforced Nylon grey colour and O-ring in EPDM;
- With air valve;
- Without cartridge, to order separately;
- Suitable for standard DOE filtering cartridges with nominal length 10" or 20";
- Max operating pressure = 8,6 bar; Range temperature 4 - 80°C.
- **NOTE: for 20" models you can't use two 10" cartridges.**

Ref.	Description	Fam.	Subfam.	Disp. Stock	Price Euro
FBHW1007	MWG HOT WATER FILTER HOUSING 3/4" - L=10"	40	106	NO	73,34
FBHW1010	MWG HOT WATER FILTER HOUSING 1" - L=10"	40	106	NO	75,03
FBHW2007	MWG HOT WATER FILTER HOUSING 3/4" - L=20"	40	106	NO	109,97
FBHW2010	MWG HOT WATER FILTER HOUSING 1" - L=20"	40	106	NO	111,66

Ref.	IN/OUT Connections (inch)	Nominal Length (inch)	A (mm)	B (mm)	C (mm)
FBHW1007	3/4"	10"	315	133	130
FBHW1010	1"	10"	321	145	130
FBHW2007	3/4"	20"	571	133	130
FBHW2010	1"	20"	577	145	130

Ref.	Box: WxLxH	Box: Q.ty	Box: Weight	Pallet: WxLxH	Pallet: Q.ty	Pallet: Weight
FBHW1007						
FBHW1010						
FBHW2007						
FBHW2010						

Certificates	Manufacturer	Sectors
EAC	<b>MWG</b>	Domestic, Commercial

FAAP1050 FAAL1070



## AISI 316 Filtering DOE Cartridges for Hot Water

- Washable and suitable for MWG Hot Water Filter Housings on catalog;
- Dimensions external diameter 70 mm, internal 30 mm;
- Nominal Length 10" (= 250 mm) and 20" (= 505 mm);
- Range temperature 4 - 80°C.

Ref	Description	Fam.	Subfam.	Disp. Stock	Price Euro
FAAP1050	MWG AISI 316 PLEATED CARTRIDGE 10"-50 MICRON	40	105	OK	76,43
FAAL1070	MWG AISI 316 SMOOTH CARTRIDGE 10"-70 MICRON	40	105	OK	63,43
FAAP2050	MWG AISI 316 PLEATED CARTRIDGE 20"- 50 MICRON	40	105	OK	160,35
FAAL2070	MWG AISI 316 SMOOTH CARTRIDGE L=20"-70 MICRON	40	105	OK	120,83

Box: WxLxH	Box: Q.ty	Box: Weight	Pallet: WxLxH	Pallet: Q.ty	Pallet: Weight

Certificates	Manufacturer	Sectors
DM174-2004 ACS	<b>MWG</b>	Domestic, Commercial, Industrial

## Accessories

Ref.	Description	Fam.	Subfam.	Disp. Stock	Price Euro
FBMTR11	MWG PLASTIC SPANNER FOR FILTER MT	40	106	NO	3,46
FBMDR21	MWG BLUE PLASTIC BRACKET WITH SCREWS FOR FILTER MDAND MT	40	106	OK	2,80



## MWG Hot Water Stainless Steel Filter Housing



- Made in China;
- Made of 316 L stainless steel, suitable for cartridge dimension from 2,25" to 3" OD;
- In/Out connection 1" BSPP;
- Drain connection 1/4" BSPP;
- Mounting bracket and pin wrench included;
- Max temperature 99°C;
- Max pressure 10 bar;
- Seal material EPDM.

Ref.	Description	Fam.	Subfam.	Disp. Stock	Price Euro
FBC333	MWG SS 316L FILTER HOUSING OD=3,52" L=10" EPDM 1"F BSPP	40	106	OK	248,08
FBC336	MWG SS 316L FILTER HOUSING OD=3,52" L=20" EPDM 1"F BSPP	40	106	OK	298,58

Ref.	IN/OUT Connections (inch)	Nominal Length (inch)	Diam. (mm)	Footprint (mm)	Height (mm)
FBC333	1" BSPP F	10"	90	124	356
FBC336	1" BSPP F	20"	90	124	610

Ref	Box: WxLxH	Box: Q.ty	Box: Weight	Pallet: WxLxH	Pallet: Q.ty	Pallet: Weight
FBC333						
FBC336						

Certificates	Manufacturer	Sectors
	<b>MWG</b>	Domestic, Commercial

## Filtering Cartridges

### AISI 316 Filtering DOE Cartridges for Hot Water



- Cartridge suitable for MWG stainless steel Hot Water Filter Housings on catalogue;
- Washable pleated cartridge made of woven 316L stainless steel mesh;
- Nominal Length 10" and 20";
- Dimensions external diameter 68 mm (10" length) and external diameter 65 mm (20" length);
- Max temperature 150°C;
- Max operating pressure drop 5 bar;
- EPDM seal.

Ref	Description	Fam.	Subfam.	Disp. Stock	Price Euro
FAC1005	SS 316L DOE FILTER CARTRIDGE OD=68 L=10" EPDM 20 M	40	105	OK	253,78
FAC1020	SS 316L DOE FILTER CARTRIDGE OD=68 L=10" EPDM 20 MICRON	40	105	OK	237,96
FAC1040	SS 316L DOE FILTER CARTRIDGE OD=68 L=10" EPDM 40 MICRON	40	105	OK	219,65
FAC1060	SS 316L DOE FILTER CARTRIDGE OD=68 L=10" EPDM 60 MICRON	40	105	OK	215,99
FAC2005	SS 316L DOE FILTER CARTRIDGE OD=65 L=20" EPDM 5 MICRON	40	105	OK	364,52
FAC2020	SS 316L DOE FILTER CARTRIDGE OD=65 L=20" EPDM 20 MICRON	40	105	OK	340,43
FAC2040	SS 316L DOE FILTER CARTRIDGE OD=65 L=20" EPDM 40 MICRON	40	105	OK	322,09
FAC2060	SS 316L DOE FILTER CARTRIDGE OD=65 L=20" EPDM 60 MICRON	40	105	OK	307,52

Box: WxLxH	Box: Q.ty	Box: Weight	Pallet: WxLxH	Pallet: Q.ty	Pallet: Weight





## Filter Housings Brass Head



- three pieces filter housings;
- head and nut material brass nickel-pleated, sump in SAN clear;
- max operating pressure 8 bar;
- max operating temperature 40° C;
- complete with air valve.

Ref	Description	Fam.	Subfam.	Disp. Stock	Price Euro
FB060	FILTER HOUSING OTS 34-9	40	109	OK	167,55
FB061	FILTER HOUSING OTS 1-9	40	109	OK	167,55
FB062	FILTER HOUSING OTS 1-20	40	109	OK	192,37
FB063	FILTER HOUSING OTS 114-10	40	109	OK	217,20
FB064	FILTER HOUSING OTS 114-20	40	109	OK	248,22
FB072	FILTER HOUSING OTS 112-10	40	109	OK	217,20
FB065	FILTER HOUSING OTS 112-20	40	109	OK	248,22
FB073	FILTER HOUSING OTS 2-10	40	109	OK	242,02
FB066	FILTER HOUSING OTS 2-20	40	109	OK	273,05

Ref	Connections (inch)	For Cartridge	L (mm)	H (mm)
FB060	¾"	10"	135	330
FB061	1"	10"	135	330
FB062	1"	20"	135	600
FB063	1¼"	10"	150	340
FB064	1¼"	20"	150	620
FB072	1½"	10"	150	340
FB065	1½"	20"	150	620
FB073	2"	10"	162	360
FB066	2"	20"	162	640

Box: WxLxH	Box: Q.ty	Box: Weight	Pallet: WxLxH	Pallet: Q.ty	Pallet: Weight

Certificates	Manufacturer	Sectors
		Domestic, Commercial

## Accessories Wrench

- galvanised steel material.

Ref	Description	Fam.	Subfam.	Disp. Stock	Price Euro
FB069	SPANNER FOR FILTER OTS	40	105	OK	10,73

Box: WxLxH	Box: Q.ty	Box: Weight	Pallet: WxLxH	Pallet: Q.ty	Pallet: Weight

## Spare parts

Ref	Description	Fam.	Subfam.	Disp. Stock	Price Euro
FB070	BOWL SAN OTS 10" W/O-RING	40	112	OK	26,83
FB071	BOWL SAN OTS 20" W/O-RING	40	112	OK	53,53
FB074	O-RING BOWL FOR OTS 9 3/4" - 10" - 20"	40	106	OK	2,15



## AISI 316L Filter Housings



- Made in the European Union (Italy);
- Multicartridges filter housings flanged top opening AISI 316L for 3 cartridges, support legs, In/Out connections 2" BSP M or DN50 flange;
- Two ½" BSP connections for air valve pressure gauge and for drain filter;
- High resistance and strength electrowelded construction, complete with AISI 316L fixing cartridges accessories, glass blasted internal and outside treatment;
- European 2014/68/EU Directive compliant for pressure equipment (PED);
- Max operating pressure @ 40°C = 8 bar; Max operating pressure @ 80°C = 2 bar;
- Hydraulic test pressure = 12 bar;
- Max operating temperature 80 °C;
- Gasket material EPDM;
- Suitable for DOE cartridges;
- Cartridges dimensions: ID min/max 26÷30 mm, OD max 65 mm and length 20"- 30"- 40"
- **WARNING!** For these housings the suitable Carbon Block cartridges are FA018 and FA019.
- The FA013 and FA014 cartridges of our catalogue are not suitable for these housings.

Ref	Description	Fam.	Subfam.	Disp. Stock	Price Euro
FB040	FILTER HOUSING MOD. CFH 3X20" AISI 316L-2" M	40	108	OK	2298,18
FB040A	FILTER HOUSING MOD. CFH 3X20" AISI 316L-DN 50	40	108	OK	2549,25

Ref	In/Out Connections	A (mm)	Weight (kg)
FB040	2" BSP M	1200	20
FB040A	DN50 Flange	1200	22

Box: WxLxH	Box: Q.ty	Box: Weight	Pallet: WxLxH	Pallet: Q.ty	Pallet: Weight

Ref	Description	Fam.	Subfam.	Disp. Stock	Price Euro
FB041	FILTER HOUSING MOD. CFH 3X30" AISI 316L-2" M	40	108	OK	2491,31
FB041A	FILTER HOUSING MOD. CFH 3X30" AISI 316L-DN 50	40	108	OK	2904,60

Ref	In/Out Connections	A (mm)	Weight (kg)
FB041	2" BSP M	1500	21
FB041A	DN50 Flange	1500	23

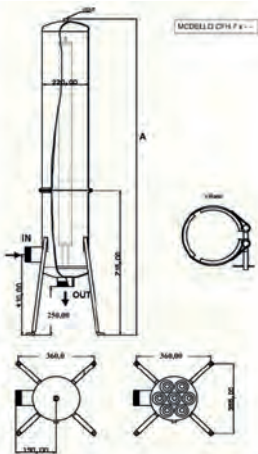
Box: WxLxH	Box: Q.ty	Box: Weight	Pallet: WxLxH	Pallet: Q.ty	Pallet: Weight

Ref	Description	Fam.	Subfam.	Disp. Stock	Price Euro
FB041/1	FILTER HOUSING MOD. CFH 3X40" AISI 316L-2" M	40	108	OK	2703,75
FB041/1A	FILTER HOUSING MOD. CFH 3X40" AISI 316L-DN 50	40	108	OK	2954,81

Ref	In/Out Connections	A (mm)	Weight (kg)
FB041/1	2" BSP M	1600	22
FB041/1A	DN50 Flange	1600	24

Box: WxLxH	Box: Q.ty	Box: Weight	Pallet: WxLxH	Pallet: Q.ty	Pallet: Weight

Certificates	Manufacturer	Sectors
DM174-2004 CE		Industrial





## AISI 316L Filter Housings

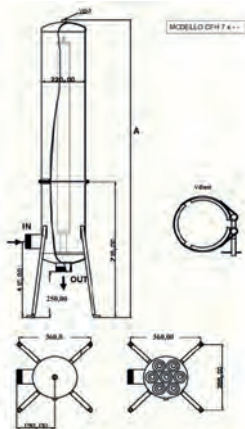


- Made in the European Union (Italy);
- Multicartridges filter housings flanged top opening AISI 316L for 7 cartridges, support legs, In/Out connections 2 1/2" BSP M or DN65 flange;
- Two 1/2" BSP connections for air valve pressure gauge and for drain filter;
- High resistance and strength electrowelded construction, complete with AISI 316L fixing cartridges accessories, glass blasted internal and outside treatment;
- European 2014/68/EU Directive compliant for pressure equipment (PED);
- Max operating pressure @ 40°C = 8 bar; Max operating pressure @ 80°C = 2 bar;
- Hydraulic test pressure = 12 bar;
- Max operating temperature 80 °C;
- Gasket material EPDM;
- Suitable for DOE cartridges;
- Cartridges dimensions: ID min/max 26÷30 mm, OD max 65 mm and length 20"- 30"- 40".
- **WARNING!** For these housings the suitable Carbon Block cartridges are FA018 and FA019.
- The FA013 and FA014 cartridges of our catalogue are not suitable for these housings.

Ref	Description	Fam.	Subfam.	Disp. Stock	Price Euro
FB042	FILTER HOUSING MOD. CFH 7X20" AISI 316L-2,1/2" M	40	108	OK	3151,80
FB042A	FILTER HOUSING MOD. CFH 7X20" AISI 316L-DN 65	40	108	OK	3476,25

Ref	In/Out Connections	A (mm)	Weight (kg)
FB042	2 1/2" BSP M	1190	27
FB042A	DN65 Flange	1190	30

Box: WxLxH	Box: Q.ty	Box: Weight	Pallet: WxLxH	Pallet: Q.ty	Pallet: Weight



Ref	Description	Fam.	Subfam.	Disp. Stock	Price Euro
FB043	FILTER HOUSING MOD. CFH 7X30" AISI 316L-2,1/2" M	40	108	OK	3321,75
FB043A	FILTER HOUSING MOD. CFH 7X30" AISI 316L-DN 65	40	108	OK	3630,75

Ref	In/Out Connections	A (mm)	Weight (kg)
FB043	2 1/2" BSP M	1495	29
FB043A	DN65 Flange	1495	32

Box: WxLxH	Box: Q.ty	Box: Weight	Pallet: WxLxH	Pallet: Q.ty	Pallet: Weight

Ref	Description	Fam.	Subfam.	Disp. Stock	Price Euro
FB044	FILTER HOUSING MOD. CFH 7X40" AISI 316L-2,1/2" M	40	108	OK	3476,25
FB044A	FILTER HOUSING MOD. CFH 7X40" AISI 316L-DN 65	40	108	OK	3769,80

Ref	In/Out Connections	A (mm)	Weight (kg)
FB044	2 1/2" BSP M	1610	34
FB044A	DN65 Flange	1610	37

Box: WxLxH	Box: Q.ty	Box: Weight	Pallet: WxLxH	Pallet: Q.ty	Pallet: Weight

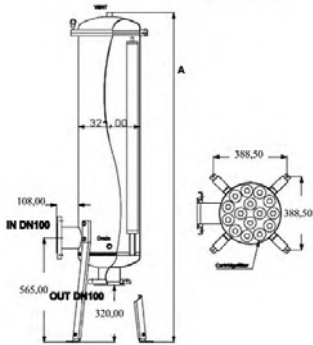
Certificates	Manufacturer	Sectors
DM174-2004 CE		Industrial



## AISI 316L Filter Housings



MODELLO GFH 15 x --



- Made in the European Union (Italy);
- Multicartridges filter housings flanged top opening AISI 316L for 15 cartridges, support legs, In/Out connections DN100;
- Two 1/2" BSP connections for air valve pressure gauge and for drain filter;
- High resistance and strength electrowelded construction, complete with AISI 316L fixing cartridges accessories, glass blasted internal and outside treatment;
- European 2014/68/EU Directive compliant for pressure equipment (PED);
- Max operating pressure @ 40°C = 8 bar; Max operating pressure @ 80°C = 2 bar;
- Hydraulic test pressure = 12 bar;
- Max operating temperature 80 °C;
- Gasket material EPDM;
- Suitable for DOE cartridges;
- Cartridges dimensions: ID min/max 26÷30 mm, OD max 65 mm and length 30"- 40".
- **WARNING!** For these housings the suitable Carbon Block cartridges are FA018 and FA019.
- The FA013 and FA014 cartridges of our catalogue are not suitable for these housings.

Ref	Description	Fam.	Subfam.	Disp. Stock	Price Euro
FB046	FILTER HOUSING MOD. CFH 15X40" AISI 316L-DN 100	40	108	OK	8883,75

Ref	Description	A (mm)	Weight (kg)
FB046	FILTER HOUSING MOD. CFH 15X40" AISI 316L-DN 100	1750	80

Box: WxLxH	Box: Q.ty	Box: Weight	Pallet: WxLxH	Pallet: Q.ty	Pallet: Weight

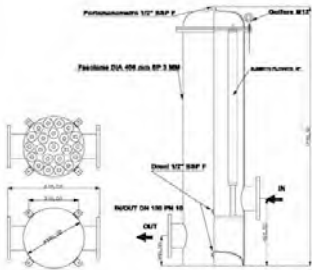
Certificates	Manufacturer	Sectors
DM174-2004 CE		Industrial



## AISI 316L Filter Housings



MODELLO CFH 22 + air



- Made in the European Union (Italy);
- Multicartridges filter housings flanged top opening AISI 316L for 22 cartridges, In/Out connections DN150;
- Three 1/2" BSP connections for air valve pressure gauge and for drain filter;
- High resistance and strength electrowelded construction, complete with AISI 316L fixing cartridges accessories, glass blasted internal and outside treatment;
- European 2014/68/EU Directive compliant for pressure equipment (PED);
- Max operating pressure @ 40°C = 8 bar; Max operating pressure @ 80°C = 2 bar;
- Hydraulic test pressure = 12 bar;
- Max operating temperature 80 °C;
- Gasket material EPDM;
- Suitable for DOE cartridges;
- Cartridges dimensions: ID min/max 26÷30 mm, OD max 65 mm and length 40".
- **WARNING!** For these housings the suitable Carbon Block cartridges are FA018 and FA019.
- The FA013 and FA014 cartridges of our catalogue are not suitable for these housings.

Ref	Description	Fam.	Subfam.	Disp. Stock	Price Euro
FB046/1	FILTER HOUSING MOD. CFH 22X40" AISI 316L-DN 150	40	108	OK	14291,25

Ref	Description	Weight (kg)
FB046/1	FILTER HOUSING MOD. CFH 22X40" AISI 316L-DN 150	138

Box: WxLxH	Box: Q.ty	Box: Weight	Pallet: WxLxH	Pallet: Q.ty	Pallet: Weight

Certificates	Manufacturer	Sectors
DM174-2004 CE		Industrial



## Chemical High Resistance PVC-U Multicartridges Filter Housings HPCF Series



- PVC-U multicartridges filter housings for 5 cartridges flanged top opening, with three pieces In/Out female socket weld connections, two 1/4" threaded connections for air valve pressure gauges and for drain filter;
- All filter housing internal material and all internal spare parts are in PVC-U for high chemical corrosion resistance;
- Opening gasket and manifold gaskets in EPDM;
- With aeration valve and pressure gauge;
- European 2014/68/EU Directive compliant for pressure equipment (PED);
- Design pressure = 6,0 bar @ 25°C;
- Hydraulic test pressure = 7,8 bar;
- Max Δp = 1,4 bar;
- Operating temperature = 5 ÷ 40 °C;
- In/Out connections DN50 / D. 63 mm;
- Suggested bolt tightening torque 6-8 Nm;
- Suitable for DOE cartridges;
- Cartridges dimensions: ID 28÷30 mm, OD 65 mm and length 20"- 30"- 40".
- **WARNING!** The FA013 and FA014 cartridges of our catalogue are not suitable for these housings.

Ref	Description	Fam.	Subfam.	Disp. Stock	Price Euro
FB560	MWG MULTICARTRIDGE PVC-U FILTER HOUSING HPCF/B-5DC2 D.63 MM	40	108	OK	546,80

Ref	Cartridges Number	Weight (kg)	Capacity (Liters)	Nominal Flow Rate (lpm)
FB560	n.5 2,5" x 20"	11,0	20,6	300

Box: WxLxH	Box: Q.ty	Box: Weight	Pallet: WxLxH	Pallet: Q.ty	Pallet: Weight

Ref	A	C	D	E	I	K	L	M	N1 N2	N3
FB560	75	715	225	540	10	187,5	186	290	63	G 1/4"
FB561	75	965	225	540	10	187,5	186	290	63	G 1/4"
FB562	75	1215	225	540	10	187,5	186	290	63	G 1/4"

Ref	Description	Fam.	Subfam.	Disp. Stock	Price Euro
FB561	MWG MULTICARTRIDGE PVC-U FILTER HOUSING HPCF/B-5DC3 D.63 MM	40	108	OK	643,66

Ref	Cartridges Number	Weight (kg)	Capacity (Liters)	Nominal Flow Rate (lpm)
FB561	n.5 2,5" x 30"	12,7	29,4	300

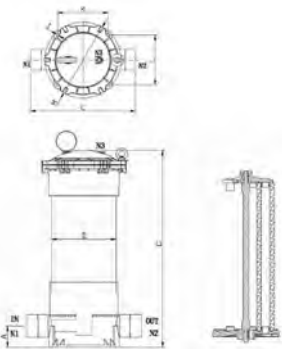
Box: WxLxH	Box: Q.ty	Box: Weight	Pallet: WxLxH	Pallet: Q.ty	Pallet: Weight

Ref	Description	Fam.	Subfam.	Disp. Stock	Price Euro
FB562	MWG MULTICARTRIDGE PVC-U FILTER HOUSING HPCF/B-5DC4 D.63 MM	40	108	OK	752,81

Ref	Cartridges Number	Weight (kg)	Capacity (Liters)	Nominal Flow Rate (lpm)
FB562	n.5 2,5" x 40"	14,4	38,2	300

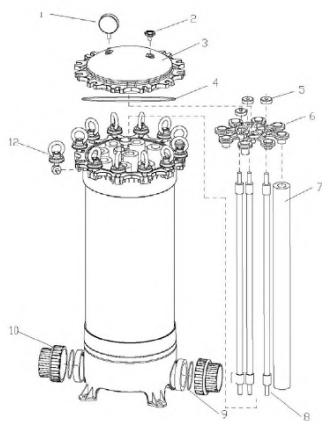
Box: WxLxH	Box: Q.ty	Box: Weight	Pallet: WxLxH	Pallet: Q.ty	Pallet: Weight

Certificates	Manufacturer	Sectors
CE	<b>MWG</b>	Industrial





## Chemical High Resistance PVC-U Multicartridges Filter Housings HPCF Series



### Spare Parts

Ref	Description	Fam.	Subfam.	Disp. Stock	Price Euro
FB366	MWG PURGE CAP	40	107	OK	1,12
FB367	MWG MANOMETER 0-7 BAR 1/4"	40	107	OK	19,42
FB580	MWG FLANGED TOP COVER 225 HPCF/PF/HXP + PURGE CAP+ O-RING	40	108	OK	61,51
FB363	MWG EPDM CLOSURE O-RING HPCF-PF-HXP 225	40	107	OK	5,01
FB574	MWG CLOSURE CARTRIDGE NUT	40	108	OK	1,85
FB578	MWG 5DC CARTRIDGE FIXING STAR	40	108	OK	15,04
	Cartridges (not included)				
FB577	40" ROD	40	108	OK	12,39
FB371	MWG T GASKET D.63 FOR HPCF FILTER	40	107	OK	2,02
FB572	MWG SINGOL MANIFOLD KIT D. 63 MM W/O-RING	40	108	OK	30,60
FB364	MWG AISI BOLT KIT M10	40	107	OK	11,31
FB584	MWG KIT DRAIN LINE 1" BSPT M + D.20 TO GLUE HPCF 9	40	108	OK	3,65

Item	Ref	Description	Q.TY	Material
2	FB366	MWG PURGE CAP	1	
1	FB367	MWG MANOMETER 0-7 BAR 1/4"	1	
2+3+4	FB580	MWG FLANGED TOP COVER 225 HPCF/PF/HXP + PURGE CAP+ O-RING	1	
4	FB363	MWG EPDM CLOSURE O-RING HPCF-PF-HXP 225	1	EPDM
5	FB574	MWG CLOSURE CARTRIDGE NUT	3	
6	FB578	MWG 5DC CARTRIDGE FIXING STAR	1	
7		Cartridges (not included)		
8	FB577	40" ROD	1	
10	FB371	MWG T GASKET D.63 FOR HPCF FILTER	2	
9+10	FB572	MWG SINGOL MANIFOLD KIT D. 63 MM W/O-RING	2	
11	FB364	MWG AISI BOLT KIT M10	6	AISI
Not shown	FB584	MWG KIT DRAIN LINE 1" BSPT M + D.20 TO GLUE HPCF 9	1	



## Chemical High Resistance PVC-U Multicartridges Filter Housings HPCF Series



- PVC-U multicartridges filter housings for 9 cartridges flanged top opening, with three pieces In/Out female socket weld connections, two 1/4" threaded connections for air valve pressure gauges and for drain filter;
- All filter housing internal material and all internal spare parts are in PVC-U for high chemical corrosion resistance;
- Opening gasket and manifold gasket in EPDM;
- With aeration valve and pressure gauge;
- European 2014/68/EU Directive compliant for pressure equipment (PED);
- Design pressure = 6,0 bar @ 25°C;
- Hydraulic test pressure = 7,8 bar;
- Max Δp = 1,4 bar;
- Operating temperature = 5 ÷ 40 °C;
- In/Out connections DN80 / D. 90 mm;
- Suggested bolt tightening torque 6-8 Nm;
- 1" BSPT M (+ F 20 mm to glue) drain connection;
- Suitable for DOE cartridges;
- Cartridges dimensions: ID 28±30 mm, OD 65 mm and length 20"- 30"- 40".
- **WARNING!** The FA013 and FA014 cartridges of our catalogue are not suitable for these housings.

Ref	Description	Fam.	Subfam.	Disp. Stock	Price Euro
FB564	MWG MULTICARTRIDGE PVC-U FILTER HOUSING HPCF/B-9DC2 D.90 MM	40	108	OK	971,81

Ref	Cartridges Number	Weight (kg)	Capacity (Liters)	Nominal Flow Rate (lpm)
FB564	n.9 2,5" x 20"	20,0	39,7	250

Box: WxLxH	Box: Q.ty	Box: Weight	Pallet: WxLxH	Pallet: Q.ty	Pallet: Weight

Ref	A	C	D	E	I	J	K	L	M	N1 N2	N3	N4
FB564	69	765	315	520	9	15	276	249	372	90	G 1/4"	1"
FB565	69	1015	315	520	9	15	276	249	372	90	G 1/4"	1"
FB566	69	1265	315	520	9	15	276	249	372	90	G 1/4"	1"



Ref	Description	Fam.	Subfam.	Disp. Stock	Price Euro
FB565	MWG MULTICARTRIDGE PVC-U FILTER HOUSING HPCF/B-9DC3 D.90 MM	40	108	OK	1083,90

Ref	Cartridges Number	Weight (kg)	Capacity (Liters)	Nominal Flow Rate (lpm)
FB565	n.9 2,5" x 30"	23,0	57,0	350

Box: WxLxH	Box: Q.ty	Box: Weight	Pallet: WxLxH	Pallet: Q.ty	Pallet: Weight

Ref	Description	Fam.	Subfam.	Disp. Stock	Price Euro
FB566	MWG MULTICARTRIDGE PVC-U FILTER HOUSING HPCF/B-9DC4 D.90 MM	40	108	OK	1264,98

Ref	Cartridges Number	Weight (kg)	Capacity (Liters)	Nominal Flow Rate (lpm)
FB566	n.9 2,5" x 40"	26,0	74,3	550

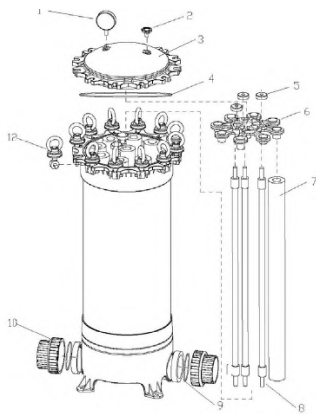
Box: WxLxH	Box: Q.ty	Box: Weight	Pallet: WxLxH	Pallet: Q.ty	Pallet: Weight

Certificates	Manufacturer	Sectors
CE	<b>MWG</b>	Industrial





## Chemical High Resistance PVC-U Multicartridges Filter Housings HPCF Series



### Spare Part

Ref	Description	Fam.	Subfam.	Disp. Stock	Price Euro
FB367	MWG MANOMETER 0-7 BAR 1/4"	40	107	OK	19,42
FB366	MWG PURGE CAP	40	107	OK	1,12
FB581	MWG FLANGED TOP COVER 325 HPCF + PURGE CAP + O-RING	40	108	OK	94,07
FB571	MWG EPDM CLOSURE O-RING HPCF 315	40	108	OK	5,35
FB574	MWG CLOSURE CARTRIDGE NUT	40	108	OK	1,85
FB579	MWG 9DC CARTRIDGE FIXING STAR	40	108	OK	21,12
	Cartridge (not included)				
FB577	40" ROD	40	108	OK	12,39
FB583	MWG T GASKET D.90 FOR HPCF FILTER	40	108	OK	3,03
FB573	MWG SINGOL MANIFOLD KIT D. 90 MM W/O-RING	40	108	OK	60,90
FB582	MWG AISI BOLT KIT M12	40	108	OK	15,85
FB584	MWG KIT DRAIN LINE 1" BSPT M + D.20 TO GLUE HPCF 9	40	108	OK	3,65

Item	Ref	Description	Q.TY	Material
1	FB367	MWG MANOMETER 0-7 BAR 1/4"	1	
2	FB366	MWG PURGE CAP	1	
2+3+4	FB581	MWG FLANGED TOP COVER 325 HPCF + PURGE CAP + O-RING	1	
4	FB571	MWG EPDM CLOSURE O-RING HPCF 315	1	EPDM
5	FB574	MWG CLOSURE CARTRIDGE NUT	3	
6	FB579	MWG 9DC CARTRIDGE FIXING STAR	1	
7		Cartridge (not included)		
8	FB577	40" ROD	3	
9	FB583	MWG T GASKET D.90 FOR HPCF FILTER	3	
9+10	FB573	MWG SINGOL MANIFOLD KIT D. 90 MM W/O-RING	2	
12	FB582	MWG AISI BOLT KIT M12	12	AISI
Not shown	FB584	MWG KIT DRAIN LINE 1" BSPT M + D.20 TO GLUE HPCF 9	1	



## High Flow PP Single Cartridge Filter Housings PF Series

- PP single cartridge filter housings, with flanged top opening, In/Out DN50 connections with 1/4" thread for air valve pressure gauges and for drain filter;
- all filter housing internal material and all internal spare parts are in PP for top chemical corrosion resistance;
- opening gasket and manifold gaskets in EPDM;
- with aeration valve and pressure gauge;
- European 2014/68/EU Directive compliant for pressure equipment (PED);
- design pressure = 8,0 bar @ 25°C;
- max  $\Delta p$  = 1,4 bar;
- operating temperature = 5 ÷ 65 °C;
- Suggested bolt tightening torque 6-8 Nm;
- suitable for high flow "special pleated cartridges";
- cartridges dimensions: 6" x 20" and 6" x 40".



Ref.	Description	Fam.	Subfam.	Disp. Stock	Price Euro
FB360PP	MWG SINGLE CARTRIDGE PP FILTER HOUSING PF20 DN50	40	107	OK	1020,01
FB361PP	MWG SINGLE CARTRIDGE PP FILTER HOUSING PF40 DN50	40	107	OK	1215,66

Ref.	Cartridge Type	Weight (kg)	Capacity (Liters)	Nominal Flow Rate (lpm)
FB360PP	6" x 20"	12	25	300
FB361PP	7" x 20"	15	41	300

Box: WxLxH	Box: Q.ty	Box: Weight	Pallet: WxLxH	Pallet: Q.ty	Pallet: Weight

Certificates	Manufacturer	Sectors
CE	<b>MWG</b>	Industrial



## High Flow PVC-U Single Cartridge Filter Housings PF Series



- PVC-U single cartridge filter housings, with flanged top opening, support legs, In/Out female socket weld connections and two 1/4" threaded connections for air valve pressure gauges and for drain filter;
- all filter housing internal material and all internal spare parts are in PVC-U for high chemical corrosion resistance;
- opening gasket and manifold gaskets in EPDM;
- with aeration valve and pressure gauge;
- European 2014/68/EU Directive compliant for pressure equipment (PED);
- design pressure = 7,0 bar @ 25°C;
- hydraulic test pressure = 9,1 bar;
- max  $\Delta p$  = 1,4 bar;
- operating temperature = 5 ÷ 40 °C;
- In/Out flanged connections DN50;
- Suggested bolt tightening torque 6-8 Nm;
- suitable for high flow "special pleated cartridges";
- cartridges dimensions: 6" x 20" and 6" x 40".

Ref	Description	Fam.	Subfam.	Disp. Stock	Price Euro
FB360	MWG SINGLE CARTRIDGE PVC-U FILTER HOUSING PF20 DN50	40	107	OK	936,36

Ref	Cartridge Type	Weight (kg)	Capacity (Liters)	Nominal Flow Rate (lpm)
FB360	6" x 20"	12	25	300

Box: WxLxH	Box: Q.ty	Box: Weight	Pallet: WxLxH	Pallet: Q.ty	Pallet: Weight

Certificates	Manufacturer	Sectors
CE	<b>MWG</b>	Industrial

Ref	Description	Fam.	Subfam.	Disp. Stock	Price Euro
FB361	MWG SINGLE CARTRIDGE PVC-U FILTER HOUSING PF40 DN50	40	107	OK	1072,72

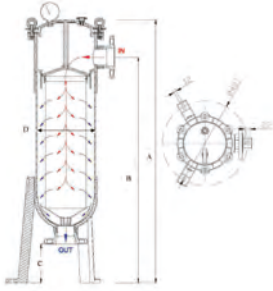
Ref	Cartridge Type	Weight (kg)	Capacity (Liters)	Nominal Flow Rate (lpm)
FB361	6" x 40"	15	41	300

Box: WxLxH	Box: Q.ty	Box: Weight	Pallet: WxLxH	Pallet: Q.ty	Pallet: Weight

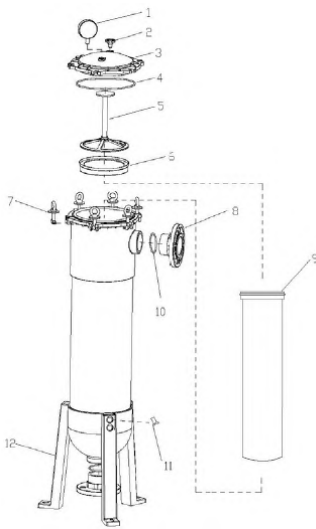
Certificates	Manufacturer	Sectors
CE	<b>MWG</b>	Industrial



## High Flow PVC-U Single Cartridge Filter Housings PF Series



Ref	A	B	C	D
FB360	1070	905	165	225
FB361	1560	1395	165	225



### Spare Parts

Ref	Description	Fam.	Subfam.	Disp. Stock	Price Euro
FB367	MWG MANOMETER 0-7 BAR 1/4"	40	107	OK	19,42
FB366	MWG PURGE CAP	40	107	OK	1,12
FB580	MWG FLANGED TOP COVER 225 HPCF/PF/HXP + PURGE CAP+ O-RING	40	108	OK	61,51
FB363	MWG EPDM CLOSURE O-RING HPCF-PF-HXP 225	40	107	OK	5,01
FB368	MWG PVC SPACER	40	107	OK	26,72
FB359	MWG PF FILTER 6" CARTRIDGE SEAL RING	40	107	OK	41,74
FB364	MWG AISI BOLT KIT M10	40	107	OK	11,31
FB370	MWG DN50 FLANGE	40	107	OK	26,46
	Single Cartridges (not included)				
FB362	MWG 2" FLANGE O-RING	40	107	OK	0,45
FB374	MWG SUPPORT LEG FIXING SCREW	40	107	OK	0,27
FB373	MWG SUPPORT LEG	40	107	OK	26,93

Item	Ref	Description	Q.TY	Material
1	FB367	MWG MANOMETER 0-7 BAR 1/4"	1	
2	FB366	MWG PURGE CAP	1	
2+3+4	FB580	MWG FLANGED TOP COVER 225 HPCF/PF/HXP + PURGE CAP+ O-RING	1	
4	FB363	MWG EPDM CLOSURE O-RING HPCF-PF-HXP 225	1	EPDM
5	FB368	MWG PVC SPACER	1	PVC
6	FB359	MWG PF FILTER 6" CARTRIDGE SEAL RING	1	
7	FB364	MWG AISI BOLT KIT M10	6	AISI
8	FB370	MWG DN50 FLANGE	2	
9		Single Cartridges (not included)		
10	FB362	MWG 2" FLANGE O-RING	2	
11	FB374	MWG SUPPORT LEG FIXING SCREW	6	
12	FB373	MWG SUPPORT LEG	3	



## High Flow PVC-U Single Cartridge Filter Housings PF Series



### Cartridge to coupling

- high flow "special pleated cartridges" single open-ended;
- filter media and support in PP, o-ring seal in EPDM;
- end caps in fiberglass reinforced PP;
- inside to outside flow pattern;
- external diameter = 6" (152 mm);
- recommended maximum  $\Delta P$  1,0 bar at 20°C.

Ref	Description	Fam.	Subfam.	Disp. Stock	Price Euro
FB376	MWG PLEATED CARTRIDGE PP DLHF620PP4.5E	40	107	OK	150,70
FB378	MWG PLEATED CARTRIDGE PP DLHF620PP10E	40	107	OK	170,36
FB379	MWG PLEATED CERTRIDGE PP DLHF620PP20E	40	107	OK	170,36
FB381	MWG PLEATED CARTRIDGE PP DLHF620PP70E	40	107	OK	150,70
FB382	MWG PLEATED CARTRIDGE PP DLHF620PP100E	40	107	OK	170,36

Ref	Lenght (inch)	Micron	Nominal Flow Rate (lpm)
FB376	20"	4,5	660
FB378	20"	10	660
FB379	20"	20	660
FB381	20"	70	660
FB382	20"	100	660

Box: WxLxH	Box: Q.ty	Box: Weight	Pallet: WxLxH	Pallet: Q.ty	Pallet: Weight

Certificates	Manufacturer	Sectors
	<b>MWG</b>	Industrial

Ref	Description	Fam.	Subfam.	Disp. Stock	Price Euro
FB386	MWG PLEATED CARTRIDGE PP DLHF640PP4.5E	40	107	OK	344,83
FB389	MWG PLEATED CARTRIDGE PP DLHF640PP20E	40	107	OK	305,05
FB391	MWG PLEATED CARTRIDGE PP DLHF640PP70E	40	107	OK	305,05
FB392	MWG PLEATED CARTRIDGE PP DLHF640PP100E	40	107	OK	344,83

Ref	Lenght (inch)	Micron	Nominal Flow Rate (lpm)
FB386	40"	4,5	1300
FB389	40"	20	1300
FB391	40"	70	1300
FB392	40"	100	1300

Box: WxLxH	Box: Q.ty	Box: Weight	Pallet: WxLxH	Pallet: Q.ty	Pallet: Weight

Certificates	Manufacturer	Sectors
	<b>MWG</b>	Industrial



## PP Bag Filter Housings

- PP bag filter housings, with flanged top opening, In/Out DN50 connection with air/drain threaded connection;
- all filter housing internal material and all internal spare parts are in PP for strong chemical corrosion resistance;
- Opening gasket and manifold gaskets in EPDM;
- With aeration valve and pressure gauge;
- European 2014/68/EU Dir. compliant for pressure equipment (PED);
- Nominal flow rate = 300 lpm;
- Design pressure = 8,0 bar @ 25°C;
- Max  $\Delta p$  = 1,0 bar;
- Operating temperature = 5 ÷ 65 °C;
- Suggested bolt tightening torque 6-8 Nm;
- Suitable for bag filter;
- Bag filters dimensions: 7" x 16" and 7" x 32".

Ref.	Description	Fam.	Subfam.	Disp. Stock	Price Euro
FB355PP	MWG BAG FILTER HOUSING PP MOD. HXP-BF-C-1-PP DN50	40	107	OK	1006,81
FB356PP	MWG BAG FILTER HOUSING PP MOD. HXP-BF-C-2-PP DN50	40	107	OK	1242,24

Ref.	Bag Size	Weight (kg)	Capacity (Litres)	Nominal Flow Rate (lpm)
FB355PP	7" x 16"	10	17	300
FB356PP	7" x 32"	13	30	300

Box: WxLxH	Box: Q.ty	Box: Weight	Pallet: WxLxH	Pallet: Q.ty	Pallet: Weight

Certificates	Manufacturer	Sectors
CE	<b>MWG</b>	Industrial





## PVC-U Bag Filter System



- PVC-U bag filter housings, with flanged top opening, support legs, In/Out female socket weld connections and two 1/4" threaded connections for air valve pressure gauges and for drain filter;
- all filter housing internal material and all internal spare parts are in PVC-U for high chemical corrosion resistance;
- Opening gasket and manifold gaskets in EPDM;
- With aeration valve and pressure gauge;
- European 2014/68/EU Dir. compliant for pressure equipment (PED);
- Nominal flow rate = 300 lpm;
- Design pressure = 7,0 bar @ 25°C;
- Hydraulic test pressure = 9,1 bar;
- Max Δp = 1,0 bar;
- Operating temperature = 5 ÷ 40 °C;
- In/Out flanged connections DN50;
- Suggested bolt tightening torque 6-8 Nm;
- Suitable for bag filter;
- Bag filters dimensions: 7" x 16" and 7" x 32".

Ref	Description	Fam.	Subfam.	Disp. Stock	Price Euro
FB355	MWG BAG FILTER HOUSING PVC-U MOD. HXP-BF-1-1-B DN50	40	107	OK	947,79

Ref	Bag Size	Weight (kg)	Capacity (Litres)	Nominal Flow Rate (lpm)
FB355	7" x 16"	10	17	300

Box: WxLxH	Box: Q.ty	Box: Weight	Pallet: WxLxH	Pallet: Q.ty	Pallet: Weight

Ref	Description	Fam.	Subfam.	Disp. Stock	Price Euro
FB356	MWG BAG FILTER HOUSING PVC-U MOD. HXP-BF-1-2-B DN50	40	107	OK	1108,69

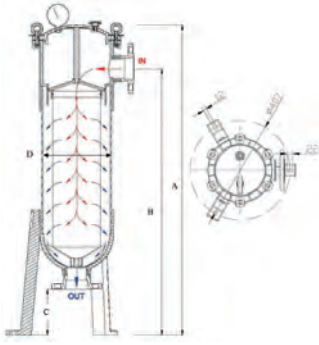
Ref	Bag Size	Weight (kg)	Capacity (Liters)	Nominal Flow Rate
FB356	7" x 32"	13	30	300

Box: WxLxH	Box: Q.ty	Box: Weight	Pallet: WxLxH	Pallet: Q.ty	Pallet: Weight

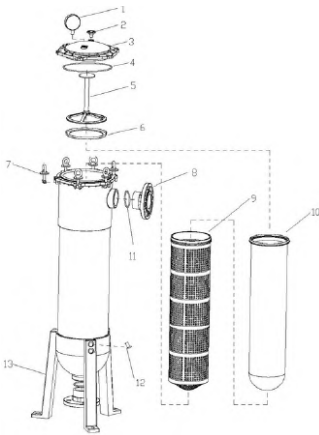
Certificates	Manufacturer	Sectors
CE	<b>MWG</b>	Industrial



## PVC-U Bag Filter System



Ref	C	D	A	B
FB355	165	225	845	685
FB356	165	225	1225	1065



### Spare Parts

Ref	Description	Fam.	Subfam.	Disp. Stock	Price Euro
FB367	MWG MANOMETER 0-7 BAR 1/4"	40	107	OK	19,42
FB366	MWG PURGE CAP	40	107	OK	1,12
FB580	MWG FLANGED TOP COVER 225 HPCF/PF/HXP + PURGE CAP+ O-RING	40	108	OK	61,51
FB363	MWG EPDM CLOSURE O-RING HPCF-PF-HXP 225	40	107	OK	5,01
FB368	MWG PVC SPACER	40	107	OK	26,72
FB359A	HXP-BF FILTER BAG SEAL RING	40	107	OK	12,53
FB364	MWG AISI BOLT KIT M10	40	107	OK	11,31
FB370	MWG DN50 FLANGE	40	107	OK	26,46
FB383	MWG PVC 16" FILTER SUPPORT ARMOR	40	107	OK	246,30
FB383A	MWG PVC 32" FILTER SUPPORT ARMOR	40	107	OK	486,87
	Bag Filter (not included)				
FB362	MWG 2" FLANGE O-RING	40	107	OK	0,45
FB374	MWG SUPPORT LEG FIXING SCREW	40	107	OK	0,27
FB373	MWG SUPPORT LEG	40	107	OK	26,93

Rif. N.	Ref	Description	Q.ty	Material
1	FB367	MWG MANOMETER 0-7 BAR 1/4"	1	
2	FB366	MWG PURGE CAP	1	
2+3+4	FB580	MWG FLANGED TOP COVER 225 HPCF/PF/HXP + PURGE CAP+ O-RING	1	
4	FB363	MWG EPDM CLOSURE O-RING HPCF-PF-HXP 225	1	EPDM
5	FB368	MWG PVC SPACER	1	PVC
6	FB359A	HXP-BF FILTER BAG SEAL RING	1	
7	FB364	MWG AISI BOLT KIT M10	6	AISI
8	FB370	MWG DN50 FLANGE	2	
9	FB383	MWG PVC 16" FILTER SUPPORT ARMOR	1	PVC
9	FB383A	MWG PVC 32" FILTER SUPPORT ARMOR	1	PVC
10		Bag Filter (not included)		
11	FB362	MWG 2" FLANGE O-RING	2	
12	FB374	MWG SUPPORT LEG FIXING SCREW	6	
13	FB373	MWG SUPPORT LEG	3	





## PVC-U Bag Filter System

### PVC-U Bag Filter System

- Inside to outside flow pattern;
- In PP material;
- External diameter = 7" (178 mm);
- Recommended maximum  $\Delta p = 1,0$  bar at 20°C.

Ref	Description	Fam.	Subfam.	Disp. Stock	Price Euro
FB357A	MWG BAG FILTER L= 16" - 1 MICRON	40	107	OK	20,06
FB357B	MWG BAG FILTER L= 16" - 5 MICRON	40	107	OK	20,54
FB357C	MWG BAG FILTER L= 16" - 10 MICRON	40	107	OK	20,54
FB357D	MWG BAG FILTER L= 16" - 25 MICRON	40	107	OK	20,15
FB357E	MWG BAG FILTER L= 16" - 50 MICRON	40	107	OK	21,03
FB357F	MWG BAG FILTER L= 16" - 100 MICRON	40	107	OK	19,94

Ref	Length	Micron	Nominal Flow Rate (lpm)
FB357A	16"	1	330
FB357B	16"	5	330
FB357C	16"	10	330
FB357D	16"	25	330
FB357E	16"	50	330
FB357F	16"	100	330

Ref	Description	Fam.	Subfam.	Disp. Stock	Price Euro
FB358A	MWG BAG FILTER L= 32" - 1 MICRON	40	107	OK	26,81
FB358B	MWG BAG FILTER L= 32" - 5 MICRON	40	107	OK	26,81
FB358C	MWG BAG FILTER L= 32" - 10 MICRON	40	107	OK	26,81
FB358D	MWG BAG FILTER L= 32" - 25 MICRON	40	107	OK	26,81
FB358E	MWG BAG FILTER L= 32" - 50 MICRON	40	107	OK	26,81
FB358F	MWG BAG FILTER L= 32" - 100 MICRON	40	107	OK	26,81

Ref	Length	Micron	Nominal Flow Rate (lpm)
FB358A	32"	1	660
FB358B	32"	5	660
FB358C	32"	10	660
FB358D	32"	25	660
FB358E	32"	50	660
FB358F	32"	100	660

Certificates	Manufacturer	Sectors
CE	<b>MWG</b>	Industrial



## MWG Rocket Filters

- Made in the European Union (Italy);
- PP single cartridge filter housings, with In/Out 3" BSP female threaded openings, with support legs;
- Opening and manifold gaskets in NBR;
- European 2014/68/EU Directive compliant for pressure equipment (PED);
- Design pressure = 6,0 bar @ 25°C;
- Operating temperature = 5 ÷ 40 °C;
- Suitable for professional applications where high performances and reliable products are needed, mainly for seawater and corrosive liquids;
- Designed for high flow rates, can fit 23" and 40" filter cartridge FON type;
- Equipped with plastic 3/4 " drain plug and relief valve;
- No brass inserts;
- Provided with stainless steel clamp for quick and easy open/close for maintenance;
- Max flow rate 60 m<sup>3</sup> /h @ 2 bar (empty).

Ref.	Description	Fam.	Subfam.	Disp. Stock	Price Euro
FBRK23	MWG ROCKET FILTER HOUSING IN PP 23	40	106	OK	955,08
FBRK40	MWG ROCKET FILTER HOUSING IN PP 40	40	106	OK	991,69

Ref.	Total Height (mm)	Footprint (mm)	Weight (kg)
FBRK23	1090	388	19
FBRK40	1500	388	22,5

Box: WxLxH	Box: Q.ty	Box: Weight	Pallet: WxLxH	Pallet: Q.ty	Pallet: Weight

Certificates	Manufacturer	Sectors
CE	<b>MWG</b>	Commercial, Industrial





## Cartridges for MWG Rocket Filters

### Meltblown Cartridges for MWG Rocket Filters

- High-flow pleated cartridges with one side open end (FON type);
- PP filter media and support, EPDM seal;
- PP end caps reinforced with fiberglass;
- Inside-out flow direction;
- External diameter 6" (152 mm);
- Suggested pressure drops: 1 bar @ 20°C temperature.

Ref.	Description	Fam.	Subfam.	Disp. Stock	Price Euro
FARK23MB01	PP MELT BLOWN CARTRIDGE 1 MICRON FOR ROCKET 23	40	105	NO	163,42
FARK23MB05	PP MELT BLOWN CARTRIDGE 5 MICRON FOR ROCKET 23	40	105	NO	163,42
FARK23MB20	PP MELT BLOWN CARTRIDGE 20 MICRON FOR ROCKET 23	40	105	NO	163,42
FARK23MB50	PP MELT BLOWN CARTRIDGE 50 MICRON FOR ROCKET 23	40	105	NO	163,42
FARK40MB01	PP MELT BLOWN CARTRIDGE 1 MICRON FOR ROCKET 40	40	105	NO	248,66
FARK40MB05	PP MELT BLOWN CARTRIDGE 5 MICRON FOR ROCKET 40	40	105	NO	248,66
FARK40MB20	PP MELT BLOWN CARTRIDGE 20 MICRON FOR ROCKET 40	40	105	NO	248,66
FARK40MB50	PP MELT BLOWN CARTRIDGE 50 MICRON FOR ROCKET 40	40	105	NO	248,66

Ref.	Lenght	Micron (µm)	Nominal Flow Rate (l/h)
FARK23MB01	23"	1	8.000
FARK23MB05	23"	5	15.000
FARK23MB20	23"	20	20.000
FARK23MB50	23"	50	25.000
FARK40MB01	40"	1	16.000
FARK40MB05	40"	5	30.000
FARK40MB20	40"	20	40.000
FARK40MB50	40"	50	50.000

Box: LxPxH	Box: Q.ty	Box: Weight	Pallet: LxPxH	Pallet: Q.ty	Pallet: Weight

Certificates	Manufacturer	Sectors
	<b>MWG</b>	Commercial, Industrial



## Cartridges for MWG Rocket Filters

### String-wound Cartridges for MWG Rocket Filters

- String-wound cartridges with one side open end (FON type);
- PP filter media and support, EPDM seal;
- PP end caps reinforced with fiberglass;
- Inside-out flow direction;
- External diameter 6" (152 mm);
- Suggested pressure drops: 1 bar @ 20°C temperature.

Ref.	Description	Fam.	Subfam.	Disp. Stock	Price Euro
FARK23FA01	STRING WOUND CARTRIDGE 1 MICRON FOR ROCKET 23	40	105	NO	142,62
FARK23FA05	STRING WOUND CARTRIDGE 5 MICRON FOR ROCKET 23	40	105	NO	142,62
FARK23FA20	STRING WOUND CARTRIDGE 20 MICRON FOR ROCKET 23	40	105	NO	142,62
FARK23FA50	STRING WOUND CARTRIDGE 50 MICRON FOR ROCKET 23	40	105	NO	142,62
FARK40FA01	STRING WOUND CARTRIDGE 1 MICRON FOR ROCKET 40	40	105	NO	292,72
FARK40FA05	STRING WOUND CARTRIDGE 5 MICRON FOR ROCKET 40	40	105	NO	292,72
FARK40FA20	STRING WOUND CARTRIDGE 20 MICRON FOR ROCKET 40	40	105	NO	292,72
FARK40FA50	STRING WOUND CARTRIDGE 50 MICRON FOR ROCKET 40	40	105	NO	292,72

Ref.	Lenght	Micron (µm)	Nominal Flow Rate (l/h)
FARK23FA01	23"	1	9.000
FARK23FA05	23"	5	16.000
FARK23FA20	23"	20	22.000
FARK23FA50	23"	50	27.000
FARK40FA01	40"	1	18.000
FARK40FA05	40"	5	32.000
FARK40FA20	40"	20	44.000
FARK40FA50	40"	50	54.000

Box: LxPxH	Box: Q.tà	Box: Peso	Pallet: LxPxH	Pallet: Q.tà	Pallet: Peso

Certificates	Manufacturer	Sectors
	<b>MWG</b>	Commercial, Industrial





## High Flow Single Side Port Cartridge MWG EuroFlow Filter Housings EF Series- 2nd Generation



- Single cartridge filter housings with fiberglass reinforced plastic pressure vessels;
- White painted, UVA-ray proof material;
- Single 3" side port connection;
- Suitable for industrial applications, for high chemical corrosion resistance;
- Compact and modular design;
- With n.1 aeration valve and n.1 drain connection;
- Ease of installation and maintenance;
- O-ring in EPDM;
- Max operating pressure 150 psi (10 bar);
- Max  $\Delta p = 2$  bar;
- Operating temperature  $5 \div 49$  °C;
- Operating pH range  $3 \div 11$ ;
- With 3" DN80 grooved end In/Out couplings and stub pipes in PVC-U PN = 10 bar;
- Straps and saddles included;
- 2014/68/EU Directive compliant for pressure equipment (PED);
- Suitable for high flow "special pleated cartridges", with guiding ring;
- Cartridges dimensions 6" x 40".

Ref.	Description	Fam.	Subfam.	Disp. Stock	Price Euro
FBEF40P1	MWG FILTER HOUSING EUROFLOW SINGLE CARTRIDGE 40" FRP 150 PSI SINGLE SP	40	114	OK	1029,20
FBEF60P1	MWG FILTER HOUSING EUROFLOW SINGLE CARTRIDGE 60" FRP 150 PSI SINGLE SP	40	114	OK	1118,70

Ref.	Cartridges Number	Length (mm)	External Diameter (mm)	Weight (kg)
FBEF40P1	n.1 6" x 40"	1226	218	14
FBEF60P1	n.1 6" x 60"	1734	218	18

Box: WxLxH	Box: Q.ty	Box: Weight	Pallet: WxLxH	Pallet: Q.ty	Pallet: Weight

Certificates	Manufacturer	Sectors
CE	<b>MWG</b>	Industrial

### Cartridge to coupling MWG Euroflow 2nd Generation

- High flow 6 layers "special pleated cartridges" single open-ended;
- Filter media and support in PP, o-ring seal in EPDM; End caps in fiberglass reinforced PP;
- Inside to outside flow pattern; External diameter = 154 mm;
- Recommended maximum  $\Delta P$  2,0 bar at 20°C. T max = 80°C. Membrane area = 4,5m<sup>2</sup>;
- Max Flow Rate for 40" Cartridges = 40 m<sup>3</sup>/h;
- Max Flow Rate for 60" Cartridges = 60 m<sup>3</sup>/h.

Ref.	Description	Fam.	Subfam.	Disp. Stock	Price Euro
FAEF2G4001	40" CARTRIDGE IN PP 1 MICRON FOR MGW EUROFLOW GEN 2	40	114	OK	85,77
FAEF2G4005	40" CARTRIDGE IN PP 5 MICRON FOR MGW EUROFLOW GEN 2	40	114	OK	85,77
FAEF2G4010	40" CARTRIDGE IN PP 10 MICRON FOR MGW EUROFLOW GEN 2	40	114	OK	85,77
FAEF2G4020	40" CARTRIDGE IN PP 20 MICRON FOR MGW EUROFLOW GEN 2	40	114	OK	85,77
FAEF2G4040	40" CARTRIDGE IN PP 40 MICRON FOR MGW EUROFLOW GEN 2	40	114	OK	85,77
FAEF2G40C1	40" CARTRIDGE IN PP 100 MICRON FOR MGW EUROFLOW GEN 2	40	114	OK	85,77
FAEF2G6001	60" CARTRIDGE IN PP 1 MICRON FOR MGW EUROFLOW GEN 2	40	114	OK	137,07
FAEF2G6005	60" CARTRIDGE IN PP 5 MICRON FOR MGW EUROFLOW GEN 2	40	114	OK	137,07
FAEF2G6010	60" CARTRIDGE IN PP 10 MICRON FOR MGW EUROFLOW GEN 2	40	114	OK	137,07
FAEF2G6020	60" CARTRIDGE IN PP 20 MICRON FOR MGW EUROFLOW GEN 2	40	114	OK	137,07
FAEF2G6040	60" CARTRIDGE IN PP 40 MICRON FOR MGW EUROFLOW GEN 2	40	114	OK	137,07
FAEF2G60C1	60" CARTRIDGE IN PP 100 MICRON FOR MGW EUROFLOW GEN 2	40	114	OK	137,07

Certificates	Manufacturer	Sectors
	<b>MWG</b>	Industrial





## High Flow Single 40" Cartridge MWG EuroFlow Filter Housings Double Side Port EF Series- 2nd Generation



- Single cartridge filter housings with fiberglass reinforced plastic pressure vessels;
- White painted, UVA-ray proof material;
- 3" Double side port connection;
- Suitable for industrial applications, for high chemical corrosion resistance;
- Compact and modular design;
- With n.1 aeration valve and n.1 drain connection;
- Ease of installation and maintenance;
- O-ring in EPDM;
- Max operating pressure 150 psi (10 bar);
- Max  $\Delta p = 2$  bar;
- Operating temperature  $5 \div 49$  °C;
- Operating pH range  $3 \div 11$ ;
- With 3" DN80 grooved end In/Out couplings and stub pipes in PVC-U PN = 10 bar;
- Straps and saddles included;
- 2014/68/EU Directive compliant for pressure equipment (PED);
- Suitable for high flow "special pleated cartridges", with guiding ring.

Ref.	Description	Fam.	Subfam.	Disp. Stock	Price Euro
FBEF40P2	MWG FILTER HOUSING EUROFLOW SINGLE CARTRIDGE 40" FRP 150 PSI DOUBLE SP	40	114	OK	1141,07
FBEF60P2	MWG FILTER HOUSING EUROFLOW SINGLE CARTRIDGE 60" FRP 150 PSI DOUBLE SP	40	114	OK	1297,69

Ref.	Cartridges Number	Length (mm)	External Diameter (mm)	Weight (kg)
FBEF40P2	n.1 6" x 40"	1226	218	14
FBEF60P2	n.1 6" x 60"	1734	218	18

Box: WxLxH	Box: Q.ty	Box: Weight	Pallet: WxLxH	Pallet: Q.ty	Pallet: Weight

Certificates	Manufacturer	Sectors
CE	MWG	Industrial

### Cartridge to coupling MWG Euroflow 2nd Generation

- High flow 6 layers "special pleated cartridges" single open-ended;
- Filter media and support in PP, o-ring seal in EPDM; End caps in fiberglass reinforced PP;
- Inside to outside flow pattern; External diameter = 154 mm;
- Recommended maximum  $\Delta P$  2,0 bar at 20°C. T max = 80°C. Membrane area = 4,5m<sup>2</sup>;
- Max Flow Rate for 40" Cartridges = 40 m<sup>3</sup>/h;
- Max Flow Rate for 60" Cartridges = 60 m<sup>3</sup>/h.

Ref.	Description	Fam.	Subfam.	Disp. Stock	Price Euro
FAEF2G4001	40" CARTRIDGE IN PP 1 MICRON FOR MGW EUROFLOW GEN 2	40	114	OK	85,77
FAEF2G4005	40" CARTRIDGE IN PP 5 MICRON FOR MGW EUROFLOW GEN 2	40	114	OK	85,77
FAEF2G4010	40" CARTRIDGE IN PP 10 MICRON FOR MGW EUROFLOW GEN 2	40	114	OK	85,77
FAEF2G4020	40" CARTRIDGE IN PP 20 MICRON FOR MGW EUROFLOW GEN 2	40	114	OK	85,77
FAEF2G4040	40" CARTRIDGE IN PP 40 MICRON FOR MGW EUROFLOW GEN 2	40	114	OK	85,77
FAEF2G40C1	40" CARTRIDGE IN PP 100 MICRON FOR MGW EUROFLOW GEN 2	40	114	OK	85,77
FAEF2G6001	60" CARTRIDGE IN PP 1 MICRON FOR MGW EUROFLOW GEN 2	40	114	OK	137,07
FAEF2G6005	60" CARTRIDGE IN PP 5 MICRON FOR MGW EUROFLOW GEN 2	40	114	OK	137,07
FAEF2G6010	60" CARTRIDGE IN PP 10 MICRON FOR MGW EUROFLOW GEN 2	40	114	OK	137,07
FAEF2G6020	60" CARTRIDGE IN PP 20 MICRON FOR MGW EUROFLOW GEN 2	40	114	OK	137,07
FAEF2G6040	60" CARTRIDGE IN PP 40 MICRON FOR MGW EUROFLOW GEN 2	40	114	OK	137,07
FAEF2G60C1	60" CARTRIDGE IN PP 100 MICRON FOR MGW EUROFLOW GEN 2	40	114	OK	137,07

Certificates	Manufacturer	Sectors
	MWG	Industrial





## Y Filters

This filter can be used in irrigation systems to remove impurities that block pipes and solenoid valves. They guarantee top protection for every irrigation system and thanks to their solid and simple structure, they reduce the need for maintenance interventions to a minimum.



Ref.	Description	Fam.	Subfam.	Disp. Stock	Price Euro
GC00201	3/4" Y FILTER 130 MICRON	110	571	OK	15,29
GC00202	1" Y FILTER 130 MICRON	110	571	OK	15,29
GC00203	1.2" Y FILTER 130 MICRON	110	571	OK	40,59
GC00204	1.5" Y FILTER 130 MICRON	110	571	OK	46,29
GC00205	2" Y FILTER 130 MICRON	110	571	OK	46,29
GC00206	2" HF Y FILTER 130 MICRON	110	571	OK	87,92

Certificates	Manufacturer	Sectors
		Commercial, Industrial

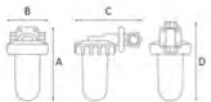


## MWG Polyphosphate Proportioning Feeders

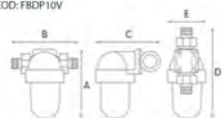


COD: FBDP04V

COD: FBDP06V



COD: FBDP10V



- Made in European Union (Italy);
- Proportional dosage to water flow through Venturi system;
- Average dosage 3 ppm of P2O5;
- Head in reinforced polypropylene (in brass only for ref. FBDP04V), bowl in SAN, o-ring in EPDM;
- Availability of different models with IN-OUT connections from 1/2" F (with screw dosing setting or bypass) to 1" F;
- With specific plastic wrench (Ref. FBMDR11 for 3/4" and 1" models);
- Max operating pressure 8 bar;
- Range temperature 4 - 45 °C;
- Shipped without Polyphosphate, to order separately.

Ref.	Description	Fam.	Subfam.	Disp. Stock	Price Euro
FBDP04V	MWG POLYPHOSPHATE FEEDER 1/2" EMPTY WITH SCREW FOR DOSING	40	111	OK	95,02
FBDP06V	MWG POLYPHOSPHATE FEEDER 1/2" EMPTY WITH BYPASS	40	111	OK	82,59
FBDP07V	MWG POLYPHOSPHATE FEEDER 3/4" EMPTY	40	111	OK	269,20
FBDP10V	MWG POLYPHOSPHATE FEEDER 1" EMPTY	40	111	OK	256,36

Ref.	IN-OUT Connections	Max Flow Rate (l/h)	A (mm)	B (mm)	C (mm)	D (mm)	E (mm)
FBDP04V	1/2"	1500	150	65	126	145	
FBDP06V	1/2"	1500	150	65	112	145	
FBDP07V	3/4"	3000	208	164	164	256	105
FBDP10V	1"	5000	208	168	164	259	105

Ref.	Box: WxLxH.	Box: Q.ty	Box: Weight	Pallet: WxLxH.	Pallet: Q.ty	Pallet: Weight
FBDP04V						
FBDP06V						
FBDP07V						
FBDP10V						

Certificates	Manufacturer	Sectors
DM174-2004	<b>MWG</b>	Domestic, Commercial

### Accessories

Ref.	Description	Fam.	Subfam.	Disp. Stock	Price Euro
FB DPR04	MWG PLASTIC SPANNER FOR FB DP04V	40	111	OK	5,20
FB DPR06	MWG PLASTIC SPANNER FOR FB DP06V	40	111	OK	1,73
FBMDR11	MWG PLASTIC SPANNER FOR FILTER MD	40	106	OK	1,89

## MWG Powder Polyphosphate

Available polyphosphate packages as spare.



COD: FB347A

Ref	Description	Fam.	Subfam.	Disp. Stock	Price Euro
FB347C	MWG POLYPHOSPHATE COMPACT POWDER BLISTER (6 REFILL X 80 G)	40	112	OK	18,87
FB347D	MWG POLYPHOSPHATE POWDER PACK 0,5 KG	40	112	OK	10,54
FB347A	MWG POLYPHOSPHATE POWDER BOX 1 KG	40	112	OK	17,76
FB347	MWG POLYPHOSPHATE POWDER BOX 25 KG	40	112	NO	381,10

Certificates	Manufacturer	Sectors
DM174-2004	<b>MWG</b>	Domestic, Commercial





## Polyphosphate Crystals

- based on a mixture of selected high polymerization metaphosphates, in transparent vitreous state white or blue colour;
- typical composition: P2O5 > 60% and Na2O = 30% av.;
- to be used as antiscaling and corrosion inhibitor with water for potable and industrial applications;
- slow dissolution crystals, proportional to crystal size, temperature, pH and water hardness.

Ref	Description	Fam.	Subfam.		Price Euro
FB350	MWG WHITE POLYPHOSPHATE CRYSTALS 5-15 MM BOX 25KG	40	112		356,12
FB350A	MWG WHITE POLYPHOSPHATE CRYSTALS 5-15 MM PACK 1 K	40	112		19,61
FB351	MWG POLYPHOSPHATE CRYSTALS 10-20 MM BOX 25 KG	40	112		356,12
FB351A	MWG POLYPHOSPHATE CRYSTALS 10-20 MM PACK 1 KG	40	112		18,13
FB348	MWG BLUE POLYPHOSPHATE CRYSTALS 5-15 MM BOX 25KG	40	112		437,00
FB348A	MWG BLUE POLYPHOSPHATE CRYSTALS 5-15 MM PACK 1KG	40	112		20,48
FB349	MWG BLUE POLYPHOSPHATE CRYSTALS 10-20MM BOX 25KG	40	112		425,50
FB349A	MWG BLUE POLYPHOSPHATE CRYSTALS 10-20 MM PACK 1KG	40	112		20,35

Box: WxLxH	Box: Q.ty	Box: Weight	Pallet: WxLxH	Pallet: Q.ty	Pallet: Weight

Certificates	Manufacturer	Sectors
STANDARD EN 1208: 2005	<b>MWG</b>	Domestic, Commercial

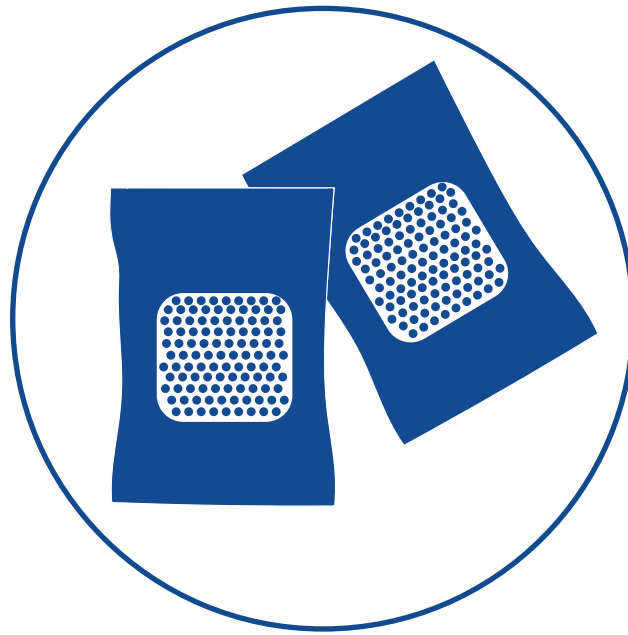
## Liquid Polyphosphate

NOTE: not suitable for Polyphosphate Crystals Feeder.

Designed to use with dosing pump.

Ref	Description	Fam.	Subfam.	Disp. Stock	Price Euro
FB346	MWG LIQUID POLYPHOSPHATE BOTTLE 1 LITER	40	112	NO	17,20

Certificates	Manufacturer	Sectors
	<b>MWG</b>	Domestic, Commercial



## ION EXCHANGE RESINS, FILTER MEDIA



[BACK  
TO INDEX](#)



## Pure Resin PC002AGL



- Gel Strong Acid Cation Exchange Resin Silver Impregnated;
- Light coloured;
- Gel type (styrene sulphonate) low silver-impregnated cation resin supplied in the sodium form as moist, tough uniform spherical beads;
- Well suited for industrial, commercial or residential softening applications;
- High capacity and good physical stability;
- Shipped in 25 liter bags.

Ref.	Description	Fam.	Subfam.	Disp. Stock	Price Euro/Litre
RA300AGL	STRONG CATION GEL SILVER IMPREGNATED PURE RESIN PC002 (Ag) II	65	300	OK	11,21

Polymer Matrix Structure	Polystyrene crosslinked with DVB
Functional Group	R-(SO <sub>3</sub> )-M+
Ionic Form, as shipped	Sodium (Na+) / Silver (Ag+)
Physical Form and Appearance	Clear Spherical Beads
Sphericity	95% min
Screen Size Range - U.S. Standard Screen	16 ÷ 50 mesh, wet
Particle Size Range	+1,2 mm < 5%, - 0,3 mm < 1%
Uniformity Coefficient	1,6 max
Water Retention, Na+ form	45 ÷ 55%
Water Retention, H+ form	50 ÷ 60%
Swelling Na+ → H+	10% max
Shipping Weight, Na+ / Ag+ form	830 g/l (52 lbs/cu.ft, approx.)
Total Exchange Capacity, Na+ form	1,9 eq/l min.
Total Exchange Capacity, H+ form	1,8 eq/l min.
pH Range	0 ÷ 14

Suggested Operating Conditions	
Maximum Temperature Na+ form	120°C (248°F)
Maximum Temperature H+ form	100°C (212°F)
Minimum Bed Depth	0,6 m (24")
Backwash expansion	25 ÷ 50% bed expansion
Regeneration	
Regenerant Concentration	8 ÷ 20% NaCl or saturated salt water
Flow Rate	2 ÷ 4 BV/h (0,25 ÷ 0,50 gpm/cu.ft)
Contact time	At least 30 Minutes
Displacement Rinse Rate	Same as Regenerant Flow Rate
Displacement Rinse Volume	Same as Service Flow Rate
Fast Rinse Rate	Same as Service Flow Rate
Fast Rinse Volume	3 ÷ 4 BV (22,5 ÷ 30 gallons/cu.ft)
Service Flow Rate	10 ÷ 50 BV/h (1,25 ÷ 6,25 gpm/cu.ft)

Box: WxLxH	Box: Q.ty	Box: Weight	Pallet: WxLxH	Pallet: Q.ty	Pallet: Weight

Certificates	Manufacturer	Sectors
DM174-2004	Pure Resin	Domestic, Commercial, Industrial



## Pure Resin PC002AG



- Gel Strong Acid Cation Exchange Resin Silver Impregnated;
- Light coloured;
- Gel type (styrene sulphonate) silver impregnated cation resin supplied in the sodium form as moist, tough uniform spherical beads;
- Well suited for industrial, commercial or residential softening applications;
- High capacity and good physical stability;
- Shipped in 25 liter bags.

Ref	Description	Fam.	Subfam.	Disp. Stock	Price Euro/Litre
RA300AG	STRONG CATION GEL SILVER IMPREGNATED PURE RESIN PC002 (Ag)	65	300	OK	17,59

Polymer Matrix Structure	Polystyrene crosslinked with DVB
Functional Group	R-(SO <sub>3</sub> )-M+
Ionic Form, as shipped	Sodium (Na+) / Silver (Ag+)
Physical Form and Appearance	Clear Spherical Beads
Sphericity	95% min
Screen Size Range - U.S. Standard Screen	16 ÷ 50 mesh, wet
Particle Size Range	+1,2 mm < 5%, - 0,3 mm < 1%
Uniformity Coefficient	1,6 max
Water Retention, Na+ form	45 ÷ 55%
Water Retention, H+ form	50 ÷ 60%
Swelling Na+ → H+	10% max
Shipping Weight, Na+ / Ag+ form	830 g/l (52 lbs/cu.ft, approx.)
Total Exchange Capacity, Na+ form	1,9 eq/l min.
Total Exchange Capacity, H+ form	1,8 eq/l min.
pH Range	0 ÷ 14

Suggested Operating Conditions	
Maximum Temperature Na+ form	120°C (248°F)
Maximum Temperature H+ form	100°C (212°F)
Minimum Bed Depth	0,6 m (24")
Backwash expansion	25 ÷ 50% bed expansion
Regeneration	
Regenerant Concentration	8 ÷ 20% NaCl or saturated salt water
Flow Rate	2 ÷ 4 BV/h (0,25 ÷ 0,50 gpm/cu.ft)
Contact time	At least 30 Minutes
Displacement Rinse Rate	Same as Regenerant Flow Rate
Displacement Rinse Volume	Same as Service Flow Rate
Fast Rinse Rate	Same as Service Flow Rate
Fast Rinse Volume	3 ÷ 4 BV (22,5 ÷ 30 gallons/cu.ft)
Service Flow Rate	10 ÷ 50 BV/h (1,25 ÷ 6,25 gpm/cu.ft)

Box: WxLxH	Box: Q.ty	Box: Weight	Pallet: WxLxH	Pallet: Q.ty	Pallet: Weight

Certificates	Manufacturer	Sectors
DM174-2004	Pure Resin	Domestic, Commercial, Industrial



## Pure Resin PC003AG



- Gel Strong Acid Cation Exchange Resin Silver Impregnated;
- Light coloured;
- Gel type (styrene sulphonate) silver impregnated cation resin supplied in the sodium form as moist, tough uniform spherical beads;
- Well suited for industrial, commercial and residential softening applications;
- High capacity and good physical stability;
- Shipped in 25 liter bags.

Ref	Description	Fam.	Subfam.	Disp. Stock	Price Euro/Litre
RA310AG	STRONG CATION GEL SILVER IMPREGNATED PURE RESIN PC003 (Ag) HIGH CAPACITY	65	300	OK	17,29

Polymer Matrix Structure	Polystyrene crosslinked with 7% DVB
Functional Group	R-(SO <sub>3</sub> )-M+
Ionic Form, as shipped	Sodium (Na+) / Silver (Ag+)
Physical Form and Appearance	Clear Spherical Beads
Sphericity	95% min
Screen Size Range - U.S. Standard Screen	16 ÷ 50 mesh, wet
Particle Size Range	+1,2 mm < 5%, - 0,3 mm < 1%
Uniformity Coefficient	1,6 max
Water Retention, Na+ form	45 ÷ 55%
Water Retention, H+ form	50 ÷ 60%
Swelling Na+ → H+	10% max
Shipping Weight, Na+ / Ag+ form	850 g/l (53 lbs/cu.ft, approx.)
Total Exchange Capacity, Na+ form	2,0 eq/l min.
Total Exchange Capacity, H+ form	1,9 eq/l min.
pH Range	0 ÷ 14

Suggested Operating Conditions	
Maximum Temperature Na+ form	120°C (248°F)
Maximum Temperature H+ form	100°C (212°F)
Minimum Bed Depth	0,6 m (24")
Backwash expansion	25 ÷ 50% bed expansion
Regeneration	
Regenerant Concentration	8 ÷ 20% NaCl or saturated salt water
Flow Rate	2 ÷ 4 BV/h (0,25 ÷ 0,50 gpm/cu.ft)
Contact time	At least 30 Minutes
Displacement Rinse Rate	Same as Regenerant Flow Rate
Displacement Rinse Volume	Same as Service Flow Rate
Fast Rinse Rate	Same as Service Flow Rate
Fast Rinse Volume	3 ÷ 4 BV (22,5 ÷ 30 gallons/cu.ft)
Service Flow Rate	10 ÷ 50 BV/h (1,25 ÷ 6,25 gpm/cu.ft)

Box: WxLxH	Box: Q.ty	Box: Weight	Pallet: WxLxH	Pallet: Q.ty	Pallet: Weight

Certificates	Manufacturer	Sectors
DM174-2004	Pure Resin	Domestic, Commercial, Industrial



## Pure Resin PC002



- Gel Strong Acid Cation Exchange Resin;
- Light coloured;
- Gel type sulfonated polystyrene cation resin supplied in the sodium form as moist, tough uniform spherical beads.
- Well suited for industrial, commercial or residential softening applications;
- High capacity and good physical stability;
- Shipped in 25 liter bags.

Ref	Description	Fam.	Subfam.	Disp. Stock	Price Euro/Litre
RA300	STRONG CATION GEL PURE RESIN PC002 (Na)	65	300	OK	4,14
RA300A	STRONG CATION GEL PURE RESIN PC002 (Na) BIG BAG1200 LT	65	300	NO	4,14

Polymer Matrix Structure	Polystyrene crosslinked with 7% DVB
Functional Group	R-(SO3)-M+
Ionic Form, as shipped	Sodium (Na+)
Physical Form and Appearance	Clear Spherical Beads
Sphericity	95% min
Screen Size Range - U.S. Standard Screen	16 ÷ 50 mesh, wet
Particle Size Range	+1,2 mm < 5%, - 0,3 mm < 1%
Uniformity Coefficient	1,6 max
Water Retention, Na+ form	45 ÷ 50%
Swelling Na+ → H+	10% max
Ca2+ → Na+	5% max
Shipping Weight, Na+ form	770 ÷ 870 g/l (50 lbs/cu.ft, approx.)
Total Exchange Capacity, Na+ form	1,9 eq/l min.
pH Range	0 ÷ 14

Suggested Operating Conditions	
Maximum Temperature Na+ form	120°C (248°F)
Maximum Temperature H+ form	100°C (212°F)
Minimum Bed Depth	0,6 m (24")
Backwash expansion	25 ÷ 50% bed expansion
Regeneration	
Regenerant Concentration	8 ÷ 20% NaCl or saturated salt water
Flow Rate	2 ÷ 4 BV/h (0,25 ÷ 0,50 gpm/cu.ft)
Contact time	At least 30 Minutes
Displacement Rinse Rate	Same as Regenerant Flow Rate
Displacement Rinse Volume	Same as Service Flow Rate
Fast Rinse Rate	Same as Service Flow Rate
Fast Rinse Volume	3 ÷ 4 BV (22,5 ÷ 30 gallons/cu.ft)
Service Flow Rate	10 ÷ 50 BV/h (1,25 ÷ 6,25 gpm/cu.ft)

Box: WxLxH	Box: Q.ty	Box: Weight	Pallet: WxLxH	Pallet: Q.ty	Pallet: Weight

Certificates	Manufacturer	Sectors
DM174-2004 ACS NSF44 NSF61	Pure Resin	Domestic, Commercial, Industrial



## Pure Resin PC003



- Gel Strong Acid Cation Exchange Resin;
- High capacity premium grade bead form, conventional gel polystyrene sulphonate cation exchange resin supplied in the sodium or hydrogen form;
- Intended for use in all water softening, dealcalisation, deionization and chemical processing applications, such as the following:
- In H form (PC003H), can be used in multiple and mixed bed demineralizers with strong base;
- Anion exchangers such as Pure PA101, PA102 and PA103 in OH- form.
- Well suited for industrial, commercial or residential softening applications because of its high capacity and good physical stability;
- Shipped in 25 liter bags.

Ref	Description	Fam.	Subfam.	Disp. Stock	Price Euro/Litre
RA310	STRONG CATION GEL PURE RESIN PC003 (Na) HIGH CAPACITY	65	300	OK	4,41

Polymer Matrix Structure	Clear Spherical Beads
Functional Group	R-(SO3) <sup>-</sup> M+
Ionic Form, as shipped	Na+ / H+
Physical Form and Appearance	Clear Spherical Beads
Sphericity	95% min
Screen Size Range US Standard Screen	16 ÷ 50 mesh, wet
Particle Size Range	+1,2 mm < 5%, - 0,3 mm < 1%
Uniformity Coefficient	1,6 max
Water Retention, Na+ form - H form	43 ÷ 48% - 50 ÷ 56%
Swelling Na+ → H+	10% max
Swelling Ca <sup>2+</sup> → Na+	5% max
Shipping Weight, Na+ form	780 ÷ 880 g/l (51 lbs/cu.ft, approx.)
Shipping Weight, Ca <sup>2+</sup> → Na+	770 ÷ 870 g/l (50 lbs/cu.ft, approx.)
Total Exchange Capacity, Na+ form	2,0 eq/l min.
Total Exchange Capacity, H+ form	1,9 eq/l min.
pH Range	0 ÷ 14

Suggested Operating Conditions	
Maximum Temperature Na form	150°C (300°F) max
Maximum Temperature H form	100°C (212°F) max
Minimum Bed Depth	0,6 m (24")
Backwash Expansion	25 ÷ 50% Bed Expansion
Regeneration	
Regenerant Concentration- Sodium Cycle	8 ÷ 20% NaCl
Regenerant Concentration- Hydrogen Cycle	5 ÷ 10% HCl, 2-8% H2SO4
Flow Rate	2 ÷ 7 BV/h (0,25 ÷ 0,90 gpm/cu.ft)
Displacement Rinse Rate	Same as Regenerate Flow Rate
Displacement Rinse Volume	1,4 ÷ 2,0 BV (10 ÷ 15 gallons/cu.ft)
Fast Rinse Rate	Same as Service Flow Rate
Fast Rinse Volume	4 ÷ 8 BV (30 ÷ 60 gallons/cu.ft)
Service Flow Rate	10 ÷ 50 BV/h (1,25 ÷ 6,25 gpm/cu.ft)

Box: WxLxH	Box: Q.ty	Box: Weight	Pallet: WxLxH	Pallet: Q.ty	Pallet: Weight

Certificates	Manufacturer	Sectors
DM174-2004 NSF44 NSF61	Pure Resin	Domestic, Commercial, Industrial



## Pure Resin PC003UN-NA



- Gel Strong Acid Cation Exchange Resin with high uniformity coefficient;
- High capacity premium grade bead form, conventional gel polystyrene sulphonate cation exchange resin supplied in the sodium or hydrogen form;
- Intended for use in all water softening, dealcalisation, deionization and chemical processing applications, such as the following:
- In H form (PC003HUN), can be used in multiple and mixed bed demineralizers with strong base;
- Anion exchangers such as Pure PA101, PA102 and PA103 in OH- form.
- Well suited for industrial, commercial or residential softening applications because of its high capacity and good physical stability;
- Shipped in 25 liter bags.

Ref	Description	Fam.	Subfam.	Disp. Stock	Price Euro/Litre
RA312	STRONG CATION GEL PURE RESIN PC003UN-Na	65	300	OK	5,12

Polymer Matrix Structure	Polystyrene crosslinked with 8% DVB
Functional Group	R-(SO <sub>3</sub> ) <sup>-</sup> M <sup>+</sup>
Ionic Form, as shipped	Na <sup>+</sup>
Physical Form and Appearance	Clear Spherical Beads
Sphericity	95% min
Screen Size Range US Standard Screen	25 ÷ 35 mesh, wet
Particle Size Range	0,5 ÷ 0,71 mm ≥ 95%
Uniformity Coefficient	1,15 max
Water Retention, Na <sup>+</sup> form -H form	43 ÷ 48% - 47 ÷ 54% i
Swelling Na <sup>+</sup> → H <sup>+</sup>	10% max
Swelling Ca <sup>2+</sup> → Na <sup>+</sup>	5% max
Shipping Weight, Na <sup>+</sup> form	780 ÷ 880 g/l (51 lbs/cu.ft. approx.)
Shipping Weight, H form	770 ÷ 870 g/l (50 lbs/cu.ft. approx.)
Total Exchange Capacity, Na <sup>+</sup> form	2,0 eq/l min.
Total Exchange Capacity, H form	1,9 eq/l min.
pH Range	0 ÷ 14

Suggested Operating Conditions	
Maximum Temperature Na <sup>+</sup>	150°C (300°F) max
Maximum Temperature H <sup>+</sup>	100°C (212°F) max
Minimum Bed Depth	0,6 m (24")
Backwash Rate	25 ÷ 50% Bed Expansion
Regeneration	
Regenerant Concentration- Sodium Cycle	8 ÷ 20% NaCl
Regenerant Concentration- Hydrogen Cycle	5 ÷ 10% HCl, 2-8% H <sub>2</sub> SO <sub>4</sub>
Flow Rate	2 ÷ 7 BV/h (0,25 ÷ 0,90 gpm/cu.ft)
Displacement Rinse Rate	Same as Regenerate Flow Rate
Displacement Rinse Volume	1,4 ÷ 2,0 BV (10 ÷ 15 gallons/cu.ft)
Fast Rinse Rate	Same as Service Flow Rate
Service Flow Rate	4 ÷ 8 BV (30 ÷ 60 gallons/cu.ft)
Service Flow Rate	10 ÷ 50 BV/h (1,25 ÷ 6,25 gpm/cu.ft)

Box: WxLxH	Box: Q.ty	Box: Weight	Pallet: WxLxH	Pallet: Q.ty	Pallet: Weight

Certificates	Manufacturer	Sectors
DM174-2004 NSF44 NSF61	Pure Resin	Domestic, Commercial, Industrial





## Pure Resin PC100NA



- Macroporous Strong Acid Cation Exchange Resin;
- Macroporous poly (styrene sulphonate) cation exchange resin with excellent resistance to both osmotic and thermal shock;
- Supplied as spherical beads;
- Used for water softening with high level of DVB;
- Also widely used in mixed bed demineralizers where high hydraulic demands exist and high resistance to mechanical thermal and oxidative stresses are required, such as condensate polishing, chemical processing, hydrometallurgy, sugar treatment;
- Shipped in 25 liter bags.

Ref	Description	Fam.	Subfam.	Disp. Stock	Price Euro/Litre
RA318	STRONG CATION MACROPOROUS PURE RESIN PC100 (Na)	65	300	OK	6,41

Typical physical and chemical characteristics	
Structure of the polymer matrix	Polystyrene with 8% of DVB
Functional Group	R-(SO <sub>3</sub> ) <sup>-M</sup>
Ionic Form, as shipped	Na <sup>+</sup>
Physical Form and Appearance	Spherical clear grains
Sphericity	95% minimum
Screen Size Range US Standard Screen	16 ÷ 50 mesh, humid
Particle Size Range	+1,2 mm < 5%, - 0,3 mm < 1%
Uniformity Coefficient	1,6 maximum
Water Retention	45 ÷ 55%
Swelling Na <sup>+</sup> → H <sup>+</sup>	10% maximum
Shipping Weight	760 ÷ 830 g/l (50 lbs/cu.ft, approx.)
Total exchange capacity	1,8 eq/l min
pH Range	0 ÷ 14

Suggested Operating Conditions	
Maximum Temperature	150°C (300°F) max
Minimum Bed Depth	0,6 m (24")
Backwash Rate	2 ÷ 7 BV/h (0,25 ÷ 0,90 gpm/cu.ft)
Regenerant Concentration	8 ÷ 20% NaCl
Regeneration Flow Rate	2 ÷ 7 BV/h (0,25 ÷ 0,90 gpm/cu.ft)
Contact Time	At least 20 Minutes
Displacement Rinse Rate	Same as Regenerant Flow Rate
Displacement Rinse Volume	1,4 ÷ 2,0 BV (10 ÷ 15 galloni/cu.ft)
Fast Rinse Rate	Same as service flow rate
Fast Rinse Volume	4 ÷ 8 BV (30 ÷ 60 gallons/cu.ft)
Service Flow Rate	10 ÷ 50 BV/h (1,25 ÷ 6,25 gpm/cu.ft)

Box: LxPxH	Box: Q.tà	Box: Peso	Pallet: LxPxH	Pallet: Q.tà	Pallet: Peso

Certificates	Manufacturer	Sectors
DM174-2004	Pure Resin	Industrial



## Pure Resin PC100H



- Macroporous Strong Acid Cation Exchange Resin;
- Macroporous poly (styrene sulphonate) cation exchange resin with excellent resistance to both osmotic and thermal shock;
- Supplied as spherical beads;
- Used for water softening with high level of DVB;
- Also widely used in mixed bed demineralizers where high hydraulic demands exist and high resistance to mechanical thermal and oxidative stresses are required, such as condensate polishing, chemical processing, hydrometallurgy, sugar treatment;
- Shipped in 25 liter bags.

Ref	Description	Fam.	Subfam.	Disp. Stock	Price Euro/Litre
RA320	STRONG CATION MACROPOROUS PURE RESIN PC100 (H)	65	300	OK	6,25

Polymer Matrix Structure	Polystyrene crosslinked with 8% DVB
Functional Group	R-(SO <sub>3</sub> ) <sup>-</sup> M <sup>+</sup>
Ionic Form, as shipped	H <sup>+</sup>
Physical Form and Appearance	Clear Spherical Beads
Sphericity	95% min
Screen Size Range US Standard Screen	16 ÷ 50 mesh, wet
Particle Size Range	+1,2 mm < 5%, - 0,3 mm < 1%
Uniformity Coefficient	1,6 max
Water Retention	50 ÷ 60%
Swelling Na <sup>+</sup> → H <sup>+</sup>	10% max
Shipping Weight, Na <sup>+</sup> form	760 ÷ 830 g/l (50 lbs/cu.ft, approx.)
Total Exchange Capacity	1,7 eq/l min.
pH Range	0 ÷ 14

Suggested Operating Conditions	
Maximum Temperature	120°C (248°F) max
Minimum Bed Depth	0,6 m (24")
Backwash Rate	2 ÷ 7 BV/h (0,25 ÷ 0,90 gpm/cu.ft)
Regenerant Concentration	5 ÷ 10% HCl, 2 ÷ 8% H <sub>2</sub> SO <sub>4</sub>
Regeneration Flow Rate	2 ÷ 7 BV/h (0,25 ÷ 0,90 gpm/cu.ft)
Contact Time	At least 20 Minutes
Displacement Rinse Rate	Same as Regenerant Flow Rate
Displacement Rinse Volume	1,4 ÷ 2,0 BV (10 ÷ 15 gallons/cu.ft)
Fast Rinse Rate	Same as Service Flow Rate
Fast Rinse Volume	4 ÷ 8 BV (30 ÷ 60 gallons/cu.ft)
Service Flow Rate	10 ÷ 50 BV/h (1,25 ÷ 6,25 gpm/cu.ft)

Box: WxLxH	Box: Q.ty	Box: Weight	Pallet: WxLxH	Pallet: Q.ty	Pallet: Weight

Certificates	Manufacturer	Sectors
	Pure Resin	Industrial



## Pure Resin PC200FD



- Poly-acrylic Macroporous Weak Acid Cation Exchange Resin;
- Supplied in the hydrogen (H+) form;
- In H cycle is used for dealcalisation, deionization and chemical processing applications;
- In sodium cycle is used in applications such as softening and heavy metal cations removal. This requires a two stage regeneration process using a strong acid first and then a neutralization rinse to put the resin into the sodium form and is especially effective in high solids softening applications;
- Shipped in 25 liter bags.

Ref	Description	Fam.	Subfam.	Disp. Stock	Price Euro/Litre
RA330	WEAK CATION MACROPOROUS PURE RESIN PC200FD	65	300	OK	11,21

Polymer Matrix Structure	Poly-acrylic
Functional Group	R-(COOH) <sup>-</sup>
Ionic Form, as shipped	H <sup>+</sup>
Physical Form and Appearance	Clear Spherical Beads
Sphericity	95% min
Screen Size Range US Standard Screen	16 ÷ 50 mesh, wet
Particle size Range	+1,2 mm < 5%, - 0,3 mm < 1%
Uniformity Coefficient	1,6 max
Water Retention, H+ form	45 ÷ 50%
Swelling Na <sup>+</sup> → H <sup>+</sup>	65% max
Shipping Weight, H+ form	720 ÷ 800 g/l (46 lbs/cu.ft, approx.)
Total Exchange Capacity, H+ form	4 eq/l min.
pH Range	4 ÷ 14

Suggested Operating Conditions	
Maximum Temperature, H+ form	120°C (248°F) max
Minimum Bed Depth	0,8 m (30")
Backwash Rate	50 ÷ 75% Bed Expansion
Regeneration, Hydrogen Cycle	5 ÷ 10% HCl, 0,5 ÷ 1% H2SO4
Flow Rate	2 ÷ 7 BV/h 8 ÷ 20 gpm/cu.ft)
Contact Time	At least 30 Minutes
Displacement Rinse Rate	1,4 ÷ 2 BV (10 ÷ 15 gallons/cu.ft)
Displacement Rinse Volume	1,4 ÷ 2 BV (10 ÷ 15 gallons/cu.ft)
Fast Rinse Rate	Same as Service Flow Rate
Fast Rinse Volume	16 ÷ 40 BV/h (2 ÷ 5 gpm/cu.ft)
Service Flow Rate	16 ÷ 40 BV/h (2 ÷ 5 gpm/cu.ft)

Box: WxLxH	Box: Q.ty	Box: Weight	Pallet: WxLxH	Pallet: Q.ty	Pallet: Weight

Certificates	Manufacturer	Sectors
DM174-2004	Pure Resin	Commercial, Industrial



## PC200FDK PURE RESIN



- Poly-acrylic Macroporous Weak Acid Cation Exchange Resin;
- Supplied in the hydrogen (H+) form and buffered K+;
- In H cycle is used for dealcalisation, deionization and chemical processing applications;
- In sodium cycle is used in applications such as softening and heavy metal cations removal. This requires a two stage regeneration process using a strong acid first and then a neutralization rinse to put the resin into the sodium form and is especially effective in high solids softening applications;
- Shipped in 25 liter bags.

Ref.	Description	Fam.	Subfam.	Disp. Stock	Price Euro/Litre
RA332	WEAK CATION MACROPOROUS PURE RESIN PC200FDK	65	300	OK	11,75

Polymer Matrix Structure	Poly-acrylic
Functional Group	R-(COOH) <sup>-</sup>
Ionic Form, as shipped	70% H+ / 30% K+
Physical Form and Appearance	Clear Spherical Beads
Sphericity	95% min
Screen Size Range US Standard Screen	16 ÷ 50 mesh, wet
Particle size Range	+1,2 mm < 5%, - 0,3 mm < 1%
Uniformity Coefficient	1,6 max
Water Retention, H+ form	45 ÷ 50%
Swelling Na+ → H+	65% max
Shipping Weight, H+ form	720 ÷ 800 g/l (46 lbs/cu.ft, approx.)
Total Exchange Capacity, H+ form	4 eq/l min.
pH Range	4 ÷ 14

Suggested Operating Conditions	
Maximum Temperature, H+ form	120°C (248°F) max
Minimum Bed Depth	0,8 m (30")
Backwash Rate	50 ÷ 75% Bed Expansion
Regeneration, Hydrogen Cycle	5 ÷ 10% HCl, 0,5 ÷ 1% H2SO4
Flow Rate	2 ÷ 7 BV/h 8 ÷ 20 gpm/cu.ft)
Contact Time	At least 30 Minutes
Displacement Rinse Rate	1,4 ÷ 2 BV (10 ÷ 15 gallons/cu.ft)
Displacement Rinse Volume	1,4 ÷ 2 BV (10 ÷ 15 gallons/cu.ft)
Fast Rinse Rate	Same as Service Flow Rate
Fast Rinse Volume	16 ÷ 40 BV/h (2 ÷ 5 gpm/cu.ft)
Service Flow Rate	16 ÷ 40 BV/h (2 ÷ 5 gpm/cu.ft)

Box: WxLxH	Box: Q.ty	Box: Weight	Pallet: WxLxH	Pallet: Q.ty	Pallet: Weight

Certificates	Manufacturer	Sectors
DM174-2004	Pure Resin	Commercial, Industrial



## Pure Resin PA103OH



- Gel Strong Base Anion Exchange Resin;
- It is a Type II, gel strong-base anion exchange resin, with high capacity and excellent regeneration efficiency;
- Supplied as spherical beads in the hydroxyl form;
- It removes all ions including silica and CO<sub>2</sub>, anyway, it operates best on waters having a high percentage of strong acids (FMA);
- Intended for use in all type of dealcalisation, demineralization, deionization and chemical processing applications;
- Shipped in 25 liter bags.

Ref	Description	Fam.	Subfam.	Disp. Stock	Price Euro/Litre
RA340	STRONG ANION GEL TYPE II PURE RESIN PA103 ( OH )	65	300	OK	11,24

Polymer Matrix Structure	Polystyrene crosslinked with divinylbenzene
Functional Group	R-(SO <sub>3</sub> ) <sup>-</sup> M <sup>+</sup>
Ionic Form, as shipped	Hydroxyl (OH <sup>-</sup> )
Physical Form and Appearance	Clear Spherical Beads
Sphericity	95% min
Screen Size Range US Standard Screen	16 ÷ 50 mesh, wet
Particle Size Range	+1,2 mm < 5%, - 0,3 mm < 1%
Uniformity Coefficient	1,6 max
Water Retention, Cl <sup>-</sup> form	45 ÷ 50%
Swelling Cl <sup>-</sup> → OH <sup>-</sup>	15% max
Weight, Cl <sup>-</sup> form	680 ÷ 760 g/l (44 lbs/cu.ft, approx.)
Total Exchange Capacity, Cl <sup>-</sup> form	1,3 eq/l min.
pH Range	0 ÷ 14

Suggested Operating Conditions	
Maximum Temperature, Cl <sup>-</sup> form	60°C (140°F) max
Maximum Temperature, OH <sup>-</sup> form	40°C (105°F) max
Minimum Bed Depth	0,6 m (24")
Backwash Rate	50 ÷ 75% Bed Expansion
Regeneration	
Regenerant Concentration	2 ÷ 6% NaOH
Flow Rate	2 ÷ 4 BV/h (0,25 ÷ 0,50 gpm/cu.ft)
Contact Time	At least 60 Minutes
Displacement Rinse Rate	1,4 ÷ 2 BV (10 ÷ 15 gallons/cu.ft)
Displacement Rinse Volume	1,4 ÷ 2 BV (10 ÷ 15 gallons/cu.ft)
Fast Rinse Rate	Same as Service Flow Rate
Fast Rinse Rate	4 ÷ 8 BV (30 ÷ 60 gallons/cu.ft)
Service Flow Rate	10 ÷ 50 BV/h (1,25 ÷ 6,25 gpm/cu.ft)

Box: WxLxH	Box: Q.ty	Box: Weight	Pallet: WxLxH	Pallet: Q.ty	Pallet: Weight

Certificates	Manufacturer	Sectors
	Pure Resin	Industrial



## Pure Resin PA201(CL)



- Macroporous Strong Base Anion Exchange Resin;
- It is a Type II, gel strong-base anion exchange resin;
- Supplied wet as spherical beads in the chloride form;
- It has a high operating capacity, especially on high-FMA feedwaters, as well as a high reversible sorptive capacity for complex organic materials, such as the fulvic and humic acids which occur in many surface water supplies;
- It is recommended for use in waters with low silica loads. For high silica waters, a type I anion resin such as Pure PA200 is recommended;
- Shipped in 25 liter bags.

Ref	Description	Fam.	Subfam.	Disp. Stock	Price Euro/Litre
RA342	STRONG ANION MACROPOROUS TYPE II PURE RESIN PA201(Cl)	65	300	OK	10,90

Polymer Matrix Structure	Macroporous polystyrene crosslinked with divinylbenzene
Functional Group	R-N(CH <sub>3</sub> ) <sub>2</sub> (C <sub>2</sub> H <sub>4</sub> OH)+
Ionic Form, as shipped	Chloride (Cl <sup>-</sup> )
Physical Form and Appearance	Opaque light yellowish spherical beads
Sphericity	95% min
Screen Size Range US Standard Screen	16 ÷ 50 mesh, wet
Particle Size Range	+1,2 mm < 5%, - 0,3 mm < 1%
Uniformity Coefficient	1,6 max
Water Retention, Cl <sup>-</sup> form	47 ÷ 57%
Swelling Cl <sup>-</sup> → OH <sup>-</sup>	10% max
Weight, Cl <sup>-</sup> form	1,2 eq/l min.
Total Exchange Capacity, Cl <sup>-</sup> form	1,2 eq/l min.
pH Range	0 ÷ 14

Suggested Operating Conditions	
Maximum Temperature, Cl <sup>-</sup> form	60°C (140°F) max
Maximum Temperature, OH <sup>-</sup> form	40°C (105°F) max
Minimum Bed Depth	0,8 m (30")
Backwash Rate	50 ÷ 75% Bed Expansion
Regeneration, Regenerant Concentration	2 ÷ 5% NaOH
Service/fast rinse	5 ÷ 50 m/h (2 ÷ 20 gpm/ft <sup>2</sup> )
Co-current regeneration/displacement rinse	1 ÷ 10 m/h (0,4 ÷ 4 gpm/ft <sup>2</sup> )
Total rinse requirement	3 ÷ 5 Bed volumes
Temperature	Ambient up to 35°C (95°F) for silica removal

Box: WxLxH	Box: Q.ty	Box: Weight	Pallet: WxLxH	Pallet: Q.ty	Pallet: Weight

Certificates	Manufacturer	Sectors
	Pure Resin	Industrial



## Pure Resin PA200



- It is a Type I, Macroporous Strong Base Anion Exchange Resin supplied in chloride or hydroxide and has high capacity, shock resistant with high physical stability;
- It is widely used in multiple and mixed bed demineralizers, wherever complete ion and organic removal are required;
- It is also intended for use in all types of deionization systems, condensate polishing and chemical processing applications;
- Shipped in 25 liter bags.

Ref	Description	Fam.	Subfam.	Disp. Stock	Price Euro/Litre
RA341	STRONG ANION MACROPOROUS TYPE I PURE RESIN PA200(CI)	65	300	OK	9,89

Polymer Matrix Structure	Macroporous polystyrene crosslinked with divinylbenzene
Functional Group	R-N(CH <sub>3</sub> ) <sub>3</sub>
Ionic Form, as shipped	Chloride (Cl <sup>-</sup> )
Physical Form and Appearance	Opaque light yellowish spherical beads
Sphericity	95% min
Screen Size Range US Standard Screen	16 ÷ 50 mesh, wet
Particle Size Range	+1,2 mm < 5%, - 0,3 mm < 1%
Uniformity Coefficient	1,6 max
Water Retention, Cl <sup>-</sup> form	50 ÷ 60%
Swelling Cl <sup>-</sup> → OH <sup>-</sup>	20 ÷ 30%
Weight, Cl <sup>-</sup> form	660 ÷ 730 g/l (43 lbs/cu.ft, approx.)
Total Exchange Capacity, Cl <sup>-</sup> form	1,15 eq/l min.
Total Exchange Capacity, OH <sup>-</sup> form	0,92 eq/l min.
pH Range	0 ÷ 14

Suggested Operating Conditions	
Maximum Temperature, Cl <sup>-</sup> form	80°C (170°F)
Maximum Temperature, OH <sup>-</sup> form	60°C (140°F)
Minimum Bed Depth	0,6 m (24")
Backwash Rate	50 ÷ 75% Bed Expansion
Regeneration, Regenerant Concentration	4 ÷ 6% NaOH
Service/Fast Rinse	2 ÷ 8 BV/h (0,25 ÷ 1,0 gpm/ft <sup>2</sup> )
Contact Time	Minimum 60 minutes
Displacement Rinse Rate	Same as Regenerant Flow Rate
Displacement Rinse Volume	1,4 ÷ 2,0 BV (10 ÷ 15 gallons/cu.ft)
Fast Rinse Rate	Same as Service Flow Rate
Fast Rinse Volume	4,6 ÷ 8 BV (35 ÷ 60 gallons/cu.ft)
Service Flow Rate	16 ÷ 32 BV/h (2,0 ÷ 4,0 gpm/cu.ft)

Box: WxLxH	Box: Q.ty	Box: Weight	Pallet: WxLxH	Pallet: Q.ty	Pallet: Weight

Certificates	Manufacturer	Sectors
	Pure Resin	Industrial



## Pure Resin PA300



- Macroporous Weak Base Anion Exchange Resin;
- It is a macroporous polystyrene weak-base anion exchange resin having tertiary amine functionality;
- It has superior kinetics and greater resistance to oxidation and osmotic shock, high chemical and physical stability;
- Intended primarily for use in multiple bed demineralizers;
- It can be used in a two-bed system following a strong acid cation exchanger such as Pure PC003 where weak acid ions (silica and carbon dioxide) do not have to be removed;
- It can also be used in a separate bed, ahead of the strong base exchanger to remove organics and strong acid ions;
- Shipped in 25 liter bags.

Ref	Description	Fam.	Subfam.	Disp. Stock	Price Euro/Litre
RA350	WEAK ANION MACROPOROUS PURE RESIN PA300	65	300	OK	10,30

Polymer Matrix Structure	Polystyrene crosslinked with divinylbenzene
Functional Group	R-N-(CH <sub>3</sub> ) <sub>2</sub>
Ionic Form, as shipped	Free Base
Physical Form and Appearance	Spherical Beads
Sphericity	95% min
Screen Size Range US Standard Screen	16 ÷ 50 mesh, wet
Particle Size Range	+1,2 mm < 5%, - 0,3 mm < 1%
Uniformity Coefficient	1,6 max
Water Retention, Cl <sup>-</sup> form	50 ÷ 60%
Swelling Cl <sup>-</sup> → OH <sup>-</sup>	25% max.
Weight, Cl <sup>-</sup> form	650 ÷ 720 g/l (42 lbs/cu.ft, approx.)
Total Exchange Capacity, Cl <sup>-</sup> form	1,4 eq/l min.
pH Range	0 ÷ 14

Suggested Operating	
Maximum Temperature	100°C (212°F) max
Minimum Bed Depth	0,6 m (24")
Backwash Rate	50 ÷ 75% Bed Expansion
Regeneration	
Regenerant Concentration	2 ÷ 6% NaOH
Flow Rate	2 ÷ 8 BV/h (0,25 ÷ 1,00 gpm/cu.ft)
Contact Time	At least 60 Minutes
Displacement Rinse Rate	Same as Regenerant Flow Rate
Displacement Rinse Volume	1,4 ÷ 2 BV (10 ÷ 15 gallons/cu.ft)
Fast Rinse Rate	Same as Service Flow Rate
Fast Rinse Volume	4,9 ÷ 8 BV (35 ÷ 60 gallons/cu.ft)
Service Flow Rate	16 ÷ 32 BV/h (2,0 ÷ 4,0 gpm/cu.ft)

Box: WxLxH	Box: Q.ty	Box: Weight	Pallet: WxLxH	Pallet: Q.ty	Pallet: Weight

Certificates	Manufacturer	Sectors
	Pure Resin	Industrial





## Pure Resin PA202



- Nitrate Selective Resin;
- Macroporous strong base anion exchange resin supplied in the chloride form as moist, tough, spherical beads, specially designed for the removal of nitrates from water;
- The macroporous matrix and special ion exchange group functionality imparts ideal nitrate selectivity to Pure PA202 making this resin particularly suitable for nitrate removal even when moderate to high sulphate concentrations are present;
- Shipped in 25 liter bags.

Ref	Description	Fam.	Subfam.	Disp. Stock	Price Euro/Litre
RA360	STRONG ANION NITRATES SELECTIVE PURE RESIN PA202	65	300	OK	10,64

Polymer Matrix Structure	Macroporous, Styrene with DVB
Functional Group	R-N-R3+ Cl-
Ionic Form, as shipped	Cl-
Physical Form and Appearance	Clear Spherical Beads
Sphericity	95% min
Screen Size Range US Standard Screen	16 ÷ 50 mesh, wet
Particle Size Range	+1,2 mm < 5%, - 0,3 mm < 1%
Uniformity Coefficient	1,6 max
Water Retention, Cl- form	52 ÷ 56%
Shipping Weight	680 ÷ 730 g/l (42 ÷ 45,5 lbs/cu.ft, approx.)
Total Exchange Capacity	1,0 eq/l min.
Max Operating Temperature	100°C (212°F) max.
pH Range	0 ÷ 14

Suggested Operating Conditions	
Maximum Operating Temperature	100°C (212°F) max
Working Exchange Capacity 25°C	≥ 0,3 meq/l (wet)
Concentration of Regenerate Solution	NaCl: 8 ÷ 10%
Consumption of Regenerate	NaCl (8 ÷ 10%) Vol. : Resin Vol. = 2÷3 : 1
Flow Rate of Regenerate Solution	4 ÷ 6 (m/hr)
Flow Rate of Regenerate Solution	30 ÷ 60 (minute)
Rinse Flow Rate	15 ÷ 25 (m/hr)
Rinse Time (minute)	25 (approx.)
Operating Flow Rate	15 ÷ 25(m/hr)

Box: WxLxH	Box: Q.ty	Box: Weight	Pallet: WxLxH	Pallet: Q.ty	Pallet: Weight

Certificates	Manufacturer	Sectors
DM174-2004	Pure Resin	Domestic, Commercial, Industrial



## Pure Resin PA203



- Ion exchange resin for PFAS removal from water;
- Macroporous strong base anion exchange resin;
- PA203 resin is supplied in the chloride form as moist, tough, spherical beads;
- Can be used for removal of various PFAS compounds such as PFOA and PFOS;
- Non-regenerable application;
- Reduced contact times and longer throughputs vs. activated carbon treatment;
- Shipped in 25 liter bags.

Ref.	Description	Fam.	Subfam.	Disp. Stock	Price Euro/Litre
RA365	STRONG ANION PFAS SELECTIVE PURE RESIN PA203	65	300	OK	16,47

Polymer Matrix Structure	Macroporous, Styrene with DVB
Functional Group	Tributylamine
Ionic Form, as shipped	Cl-
Physical Form and Appearance	Clear Spherical Beads
Sphericity	95% min
Screen Size Range US Standard Screen	16 ÷ 50 mesh, wet
Particle Size Range	+1,2 mm < 5%, - 0,3 mm < 1%
Uniformity Coefficient	1,6 max
Water Retention, Cl- form	40 ÷ 56%
Shipping Weight	650 ÷ 750 g/l
Total Exchange Capacity	0,6 eq/l min.
Max Operating Temperature	121°C (250°F) max.
pH Range	4 ÷ 10

Suggested Operating Conditions	
Maximum Operating Temperature	75°C (170°F) max
Working Exchange Effective Capacity 25°C	≥ 0,3 eq/l (wet)
Operating Flow Rate	15 ÷ 45 m/h
Operating Flow rate	8 ÷ 40 BV/h (1 ÷ 5 gpm/cu.ft)
Empty Bed Contact Time = EBCT	1,5 ÷ 2,5 min.
Minimum Bed Depth	0,9 m

Box: WxLxH	Box: Q.ty	Box: Weight	Pallet: WxLxH	Pallet: Q.ty	Pallet: Weight

Certificates	Manufacturer	Sectors
DM174-2004	Pure Resin	Domestic, Commercial, Industrial



## Pure Resin PMB101-2



- Mixed Bed Resin;
- It is a high capacity mixed bed ion exchange resin consisting of a mixture of a gel, Type I strong base anion resin and a gel strong acid cation resin for direct water purification;
- The conductivity is around 0,1 us/cm;
- Suitable for use in regenerable or non-regenerable cartridges, for deionization with high silica removal efficiency and refine water for electrical home applications;
- Shipped in 25 liter bags.

Ref	Description	Fam.	Subfam.	Disp. Stock	Price Euro/Litre
RA370	MIXED BED PURE RESIN PMB101-2	65	300	OK	9,29

Polymer Matrix Structure	Gel polystyrene crosslinked with DVB
Functional Group: Cation	R-SO3- H+
Functional Group: Anion	R4-N-OH-
Ionic Form, as shipped	H+ / OH-
Physical Form and Appearance	Spherical Beads
Sphericity	95% min
Screen Size Range US Standard Screen	16 ÷ 50 mesh, wet
Particle Size Range	+1,2 mm < 5%, - 0,3 mm < 1%
Volume Ratio (as shipped) Cation	40% PC003H
Volume Ratio (as shipped) Anion	60% PA101OH
Total Exchange Capacity, Cation (in Na+ form)	2,0 eq/l min.
Total Exchange Capacity, Cation (in H+ form)	1,9 eq/l min.
Total Exchange Capacity, Anion (in Cl- form)	1,0 eq/l min.
Total Exchange Capacity, Anion (in OH- form)	1,0 eq/l min.
Water Retention, H+ form	45 ÷ 50%
Water Retention, OH+ form	53 ÷ 60%
Water Retention, H+ form	700 ÷ 740 g/l (44 ÷ 46 lbs/cu.ft, approx.)
Max temperature	60°C (140°F)
pH Range	0 ÷ 14

Suggested Operating Conditions	
Minimum Bed Depth	0,6 m (24")
Service Flow Rate	20 ÷ 60 BV/h (2,5 ÷ 7,5 gpm/cu.ft)
Limitations	Extended exposure to strong oxidizers, such as chlorine, hydrogen peroxide and concentrated nitric acid, degrade the structural backbone of the resin and should be avoided

Box: WxLxH	Box: Q.ty	Box: Weight	Pallet: WxLxH	Pallet: Q.ty	Pallet: Weight

Certificates	Manufacturer	Sectors
	Pure Resin	Industrial



## Pure Resin PMB102-2



- Mixed Bed Resin;
- It is a high capacity mixed bed ion exchange resin consisting of a mixture of a gel, Type I strong base anion resin and a gel strong acid cation resin for direct water purification;
- The conductivity is around 0,1 us/cm;
- Suitable for use in regenerable or non-regenerable cartridges, for deionization with high silica removal efficiency and applications for treatment of the R.O. permeate;
- Shipped in 25 liter bags.

Ref	Description	Fam.	Subfam.	Disp. Stock	Price Euro/Litro
RA372	MIXED BED PURE RESIN PMB102-2 (REFINING PERMEATEWATER)	65	300	OK	9,62

Polymer Matrix Structure	Gel polystyrene crosslinked with DVB
Polymer Matrix Structure: Cation	R-SO3- H+
Polymer Matrix Structure: Anion	R4-N-OH-
Ionic Form, as shipped	H+ / OH-
Ionic Form, as shipped	Spherical Beads
Sphericity	95% min
Screen Size Range US Standard Screen	16 ÷ 50 mesh, wet
Particle Size Range	+1,2 mm < 5%, - 0,3 mm < 1%
Volume Ratio (as shipped): Cation	40% PC003H
Volume Ratio (as shipped): Anion	60% PA102OH
Total Exchange Capacity, (Cation (in Na+ form))	2,0 eq/l min.
Total Exchange Capacity, Cation (in H+ form)	1,9 eq/l min.
Total Exchange Capacity, Anion (in Cl- form)	1,3 eq/l min.
Total Exchange Capacity, Anion (in OH- form)	1,0 eq/l min.
Water Retention, H+ form	45 ÷ 50%
Water Retention, OH+ form	48 ÷ 58%
Shipping Weight (Approx.)	700 ÷ 740 g/l (44 ÷ 46 lbs/cu.ft, approx.)
Max temperature: Non-regenerative bed	100°C (212°F)
Max temperature: Regenerative bed	60°C (140°F)
pH Range	0 ÷ 14

Suggested Operating Conditions	
Minimum Bed Depth	0,6 m (24")
Service Flow Rate	20 ÷ 60 BV/h (2,5 ÷ 7,5 gpm/cu.ft)
Limitations	Extended exposure to strong oxidizers, such as chlorine, hydrogen peroxide and concentrated nitric acid, degrade the structural backbone of the resin and should be avoided

Box: WxLxH	Box: Q.ty	Box: Weight	Pallet: WxLxH	Pallet: Q.ty	Pallet: Weight

Certificates	Manufacturer	Sectors
	Pure Resin	Industrial



## Pure Resin PMB101-3



- Mixed Bed Resin;
- It is a high capacity mixed bed ion exchange resin consisting of a mixture of a gel, Type I strong base anion resin and a gel strong acid cation resin for direct water purification;
- The conductivity is around 0,06 us/cm;
- Suitable for use in regenerable or non-regenerable cartridges, for deionization with high silica removal efficiency and ultrapure water production applications;
- Shipped in 25 liter bags.

Ref	Description	Fam.	Subfam.	Disp. Stock	Price Euro/Litre
RA374	MIXED BED PURE RESIN PMB101-3 (PURE WATER 12 - 16MOhm)	65	300	OK	9,62

Polymer Matrix Structure	Gel polystyrene crosslinked with DVB
Functional Group: Cation	R-SO3- H+
Functional Group: Anion	R4-N-OH-
Ionic Form, as shipped	H+ / OH-
Physical Form and Appearance	Spherical Beads
Sphericity	95% min
Screen Size Range US Standard Screen	16 ÷ 50 mesh, wet
Particle Size Range	+1,2 mm < 5%, - 0,3 mm < 1%
Volume Ratio (as shipped) Cation	40% PC003H
Volume Ratio (as shipped) Anion	60% PA101OH
Total Exchange Capacity, Cation (in Na+ form)	2,0 eq/l min.
Total Exchange Capacity, Cation (in H+ form)	1,9 eq/l min.
Total Exchange Capacity, Anion (in Cl- form)	1,3 eq/l min.
Total Exchange Capacity, Anion (in OH- form)	1,0 eq/l min.
Water Retention, H+ form	45 ÷ 50%
Water Retention, OH+ form	53 ÷ 60%
Shipping Weight (Approx.)	700 ÷ 740 g/l (44 ÷ 46 lbs/cu.ft, approx.)
Max temperature: Non-regenerative bed	100°C (212°F)
Max temperature: Regenerative bed	60°C (140°F)
pH Range	0 ÷ 14

Suggested Operating Conditions	
Minimum Bed Depth	0,6 m (24")
Service Flow Rate	20 ÷ 60 BV/h (2,5 ÷ 7,5 gpm/cu.ft)
Limitations	Extended exposure to strong oxidizers, such as chlorine, hydrogen peroxide and concentrated nitric acid degrade the structural backbone of the resin and should be avoided.

Box: WxLxH	Box: Q.ty	Box: Weight	Pallet: WxLxH	Pallet: Q.ty	Pallet: Weight

Certificates	Manufacturer	Sectors
	Pure Resin	Industrial



## Pure Resin PS400



- Selective removal of polyvalent ions;
- Macroporous Weak Acid Cation Exchange Resin;
- it is based on the iminodiacetic acid functional group, which has chelating properties for heavy metal ions even against high concentrations of calcium;
- It finds use in processes for extraction and recovery of metals from ores, galvanic plating solutions, picking baths and effluents;
- Shipped in 25 liter bags.

Ref	Description	Fam.	Subfam.	Disp. Stock	Price Euro/Litre
RA376	WEAK CATION POLYVALENT IONS SELECTIVE PURE RESINPS400	65	300	OK	22,18

Polymer Matrix Structure	Macroporous, Styrene / DVB
Functional Group	Iminodiacetic
Functional Group	Na+
Physical Form and Appearance	Milky White Spherical Beads
Sphericity	95% min
Screen Size Range US Standard Screen	16 ÷ 50 mesh, wet
Particle Size Range	0,30 ÷ 1,20 mm ≥ 95
Uniformity Coefficient	1,6 max.
Water Retention, Na+ form	55 ÷ 65%
Reversible Swelling H+ → Na+	40% max.
Shipping Weight	720 ÷ 780 g/l (45 lbs/cu.ft, approx.)
Total Exchange Capacity, Na+ form	≥ 1.0 meq/ml
pH Range	6 ÷ 11

Suggested Operating Conditions	
Maximum Temperature, H+ form	100°C (212°F) max.
Operating Flow Rate	15 ÷ 45 (m/hr)
Method of Regeneration	pass 1 eq/l HCl 2~4 BV in 1~1,5 hours, rinse with DI water or soft water until pH = 3~4; pass 1 eq/l NaOH 2~4 BV in 1,5~2 hours, rinse with DI water or soft water until pH = 9

Box: WxLxH	Box: Q.ty	Box: Weight	Pallet: WxLxH	Pallet: Q.ty	Pallet: Weight

Certificates	Manufacturer	Sectors
DM174-2004	Pure Resin	Industrial



## Greensand Plus



- Filter media used for removing soluble iron, manganese, hydrogen sulphide, arsenic and radium from well water supplies;
- The Manganese Greensand Plus has a manganese dioxide coated surface that acts as a catalyst in the oxidation-reduction of iron and manganese;
- The silica sand core allows to better withstand operating conditions in waters that are low in silica, TDS and hardness;
- A pre-filtration with sand and anthracite is recommended;
- The Manganese Greensand Plus can be used in CR (continuous regeneration) or IR (intermittent regeneration) and requires no changes in backwash rate or times or chemical feeds;
- The removal of iron and manganese can be made by using oxidant as chlorine, even in the presence of manganese;
- Not shipped in regenerated form; prior to use it is necessary to regenerate with a solution of potassium permanganate contacting the bed for a minimum of 4 hours. A regeneration level of 4 g of potassium permanganate per liter is recommended. Before placing in service the filter must be rinsed of all remaining traces of potassium permanganate;
- Dosage Cl<sub>2</sub> (mg/l) = 1 mg/l Fe + 3 mg/l Mn + 6 mg/l H<sub>2</sub>S + 8 mg/l NH<sub>3</sub> for service flow rate continuous;
- Available in 14,2 liters bags.

Ref	Description	Fam.	Subfam.	Disp. Stock	Price Euro
RA074	MANGANESE GREENSAND PLUS BAG 14,2 LT	65	315	OK	84,86

Physical properties		Operating conditions	
Colour	black	pH range	6,2 ÷ 8,8
Specific gravity (g/l)	2400	Service flow rate continuous / intermittent (m <sup>3</sup> /h m <sup>2</sup> )	12 ÷ 29
Bulk density (g/l)	1410	Backwash flow rate @13°C (m <sup>3</sup> /h m <sup>2</sup> )	30
Effective size (mm)	0,30 ÷ 0,35	Backwash bed expansion (%)	35 ÷ 40
Uniform coefficient	1,6	Pressure drop (psi)	10 ÷ 18

Recommended Operating Guidelines	Intermittently Regeneration (IR)	Recommended Operating Guidelines	
Minimum bed depth (mm)	750 single media:380 each for dual media beds	Minimum bed depth (mm)	500 Greensand Plus and 380 Anthracite
Backwash Duration	10 minutes (until water is CLEAR)	Backwash Duration	10 minutes (until water is clear)
Regenerant Dosage 6,5% Bleach	65 liters / m <sup>3</sup> diluted in approx. 25 liters of water injected over 30 ÷ 40 minutes		
Regenerant Dosage 12% Bleach	25 liters / m <sup>3</sup> diluted in approx. 25 liters of water injected over 30 ÷ 40 minutes		

Box: WxLxH	Box: Q.ty	Box: Weight	Pallet: WxLxH	Pallet: Q.ty	Pallet: Weight

Certificates	Manufacturer	Sectors
NSF61		Domestic, Commercial, Industrial



## BIRM



- Granular filter media used for the reduction of iron and manganese dissolved in the water. In ground water the dissolved iron is usually in the ferrous bicarbonate state and is not filterable; BIRM acts as an insoluble catalyst to enhance the reaction between dissolved oxygen and iron compounds, producing ferric hydroxide which precipitates and may be easily filtered;
- The physical characteristics of BIRM provide an excellent filter media which is easily cleaned by backwashing to remove the precipitant;
- BIRM is not consumed in the iron removal operation;
- Available in 28,3 liters bags;
- Following are the conditions necessary for a good efficiency of the BIRM:
  - No Oil, Hydrogen Sulphide and Polyphosphates in the water;
  - pH 6,8 ÷ 9,0 (if water contains also manganese pH has to be 8,0 ÷ 8,5);
  - Dissolved oxygen content must be equal to at least 15% of the iron content and 29% of the manganese content;
  - Alkalinity should be greater than two times the combined sulphate and chloride concentration;
  - Less than 5 ppm TOC.

Ref	Description	Fam.	Subfam.	Disp. Stock	Price Euro
RA072	BIRM REGULAR BAG 28.3 LT.	65	315	OK	150,51

PHYSICAL PROPERTIES		OPERATING CONDITIONS	
Colour	black	Bed depth (mm)	750 ÷ 900
Specific gravity (g/l)	2000	Service flow rate (m3/h m2)	9 ÷ 13
Bulk density (g/l)	560 ÷ 640	Backwash flow rate (m3/h m2)	24 ÷ 30
Mesh Size	12 x 50	Backwash bed expansion (%)	20 ÷ 40
Effective Size (mm)	0,48	Max temperature (°C)	38
Uniform Coefficient	2,7		

Box: WxLxH	Box: Q.ty	Box: Weight	Pallet: WxLxH	Pallet: Q.ty	Pallet: Weight

Certificates	Manufacturer	Sectors
NSF61	Clack	Domestic, Commercial, Industrial





## Pyrolusite



- PYROLUSITE is manganese dioxide (MnO<sub>2</sub>) of very good quality and pureness obtained by washing, drying and screening of mineral selected for the specific catalytic activity;
- Used as catalyser for the reduction of iron and manganese dissolved in the water, by sand filters, mixed 20÷50 % with sand 0,4÷0,8 / 0,7÷1,2 mm;
- Does not require a compulsory regeneration with KMnO<sub>4</sub> , but you can do a continuous chlorination or a chlorination during the backwash;
- Hardness 3° ÷ 5° Mohs;
- Available in 25 kg bags.

Ref	Description	Fam.	Subfam.	Disp. Stock	Price Euro
RA069	MWG PYROLUSITE (MANGANESE DIOXIDE) BAG 25 KG	65	315	OK	134,75

Physical Properties	
Colour	brown
Bulk density (g/l)	2000
Effective size (mm)	0,35 ÷ 0,85
Mn (%)	80

Operating Conditions	
Composition	Mixed 20÷50 % with sand 0,4÷0,8 / 0,7÷1,2 mm
Suggested filtration speed (m/h)	≤ 10
Max backwash speed (m <sup>3</sup> /h m <sup>2</sup> )	25
Backwash expansion at 25 m/h (%)	25
Min contact time (min)	6
Range pH	6,5 ÷ 8,5

Box: WxLxH	Box: Q.ty	Box: Weight	Pallet: WxLxH	Pallet: Q.ty	Pallet: Weight

Certificates	Manufacturer	Sectors
STANDARD EN 13752	<b>MWG</b>	Domestic, Commercial, Industrial



## Activated Carbon



- RA204 activated carbon is not suitable for treatment of water intended for human consumption;
- In granular form;
- Suitable for Chlorine, chemical oxidants, chlorinated compounds and organic contaminants dissolved in water;
- activated carbon require periodic backwashing to eliminate accumulated suspended matters and to regrade the filter bed;
- A good backwashing of the AC filter bed of the start-up is required.
- Mainly bituminous origin coal activated carbons are carefully selected, with a thermal activation process at strictly controlled temperature to obtain a large surface area and a mesoporous structure allowing the adsorption of high molecular weight organic compounds in particular hydrocarbons, atrazine, surfactants;
- Mainly vegetal (coconut base) activated carbons are suitable for applications that need good resistance to the attrition and mechanical shocks; they have a microporous structure allowing the adsorption of low molecular weight organic compounds in particular trichloroethylene, tetrachloroethylene.

Ref	Description	Fam.	Subfam.	Disp. Stock	Price Euro
RA204	MWG BAG 25 KG CARB. CYLINDRICAL MIN. SC 45 (47 LT.ABOUT)	65	305	OK	215,25
RA201	MWG BAG 25 KG CARB. MIN. GAC 830 M (52 LT.ABOUT)	65	305	OK	207,90
RA202	MWG BAG 25 KG CARB. MIN. GAC 1240 M (52 LT. ABOUT)	65	305	OK	210,00
RA206	MWG BAG 25 KG CARB. GAC 8X30 VEGETAL	65	305	OK	246,75
RA208	MWG BAG 25 KG CARB. GAC 12X40 VEGETAL	65	305	OK	246,75

Ref	Type	Origin	Size(mm)	Bulk density (g/l)	Bet (m <sup>2</sup> /g)	Iodine number (mg/g)	Ash content (%)
RA204	SC45 cylindrical	Mineral	4 x (6 ÷ 12)	590	700	750	15
RA201	GAC 8x30	Mineral	0,6 ÷ 2,4	480	1100	1000	12
RA202	GAC 12x40	Mineral	0,4 ÷ 1,7	480	1100	1000	12
RA206	GAC 8x30	Vegetal	0,6 ÷ 2,4	500	1250	1100	3
RA208	GAC 12x40	Vegetal	0,4 ÷ 1,7	500	1250	1100	3

Operating conditions	
Bed depth (mm) (dechlorination)	650 ÷ 750
Service flow rate (m3/h m2) (dechlorination)	12 ÷ 15
Backwash flow rate (m3/h m2)	24 ÷ 30
Backwash bed expansion (%)	30 ÷ 40

Box: WxLxH	Box: Q.ty	Box: Weight	Pallet: WxLxH	Pallet: Q.ty	Pallet: Weight

Certificates	Manufacturer	Sectors
STANDARD EN 12915-1:2004 (except RA204)	<b>MWG</b>	Commercial, Industrial



## Acid Washed Activated Carbon



- High quality granular activated carbon produced by physical activation of selected raw material of mineral origin;
- It is further washed with acid in order to reduce the ash content;
- Particularly effective for the removal of organic pollutants, dyes, pesticides, chlorinated and aromatic solvents, phenols, tannins, chlorine derivatives and compounds that cause bad smells and tastes in drinking water;
- Suitable for different applications such as the purification of water intended for human consumption, the purification of wastewater, of process and condensates. It is also used in the purification and discoloration processes of intermediates chemical and food products;
- It can be thermally reactivated once its adsorbing capacity is exhaust;
- Available in 25 kg bags.

Ref	Description	Fam.	Subfam.	Disp. Stock	Price Euro
RA222	MWG BAG 25 KG CARB. GAC 12X30 MINERAL ACID WASHED	65	305	OK	292,50

GENERAL PROPERTIES			
Iodine number	Astm D 4607	mg / g	1.000
Moisture as packed	Astm D 2867	%	2
Size	Astm D 2862	Mesh	12 x 30
Methylene blue index	12 Mesh / 30 Mesh	%	5 - 5
Indice Blu di Metilene	Cefic Dab VI	ml	18
CCl4 adsorption	Astm D 3467	%	60
Surface area (B.E.T.)	Astm D 3663	m <sup>2</sup> /g	1.100
Bulk density	Astm D 2854	kg/m <sup>3</sup>	460
Density after back-washing and draining		kg/m <sup>3</sup>	420
Iron (acid extraction)		ppm	300
Hardness	Astm D 3802	%	95
Ash content	Astm D 2866	%	8
pH	Astm D 3838	-	neutral

Box: WxLxH	Box: Q.ty	Box: Weight	Pallet: WxLxH	Pallet: Q.ty	Pallet: Weight

Certificates	Manufacturer	Sectors
STANDARD EN 12915	<b>MWG</b>	Domestic, Commercial, Industrial



## Filter Sand and Gravel



- REF. RA049, RA050, RA051, RA052 and RA053;
- Filter sand and gravel shape of alluvium origin, uncrushed;
- High contents of silica, selected for specific use in water filtration for potable and industrial application;
- Hardness 7° Mohs.

Ref	Description	Fam.	Subfam.	Disp. Stock	Price Euro/kg
RA049	QUARTZ SAND 0.4 - 0.8 BAG 25 KG	65	310	OK	0,58
RA050	QUARTZ SAND 0.8 - 1.2 BAG 25 KG	65	310	OK	0,58
RA051	QUARTZ SAND 1 - 2 BAG 25 KG	65	310	OK	0,58
RA053	QUARTZ SAND 2 - 3 BAG 25 KG	65	310	OK	0,58
RA052	QUARTZ SAND 3 - 5 BAG 25 KG	65	310	OK	0,58

Ref	Description	SIZE (mm)
RA049	QUARTZ SAND 0.4 - 0.8 BAG 25 KG	0,4 ÷ 0,8
RA050	QUARTZ SAND 0.8 - 1.2 BAG 25 KG	0,8 ÷ 1,2
RA051	QUARTZ SAND 1 - 2 BAG 25 KG	1,0 ÷ 2,0
RA053	QUARTZ SAND 2 - 3 BAG 25 KG	2,0 ÷ 3,0
RA052	QUARTZ SAND 3 - 5 BAG 25 KG	3,0 ÷ 5,0

Physical properties	
Colour	white
Specific gravity (g/l)	2650
Bulk density (g/l)	1500
SiO2 content	> 96 %
Humidity	0,3 % max
Melting point	1700 g/c
pH	8

Operating conditions	
Bed depth (mm) (sand filter)	450 ÷ 750
Service flow rate (m3/h m2)	8 ÷ 12
Backwash flow rate (m3/h m2)	30 ÷ 42
Backwash bed expansion (%)	5 ÷ 10

Box: WxLxH	Box: Q.ty	Box: Weight	Pallet: WxLxH	Pallet: Q.ty	Pallet: Weight

Certificates	Manufacturer	Sectors
STANDARD EN 12904		Domestic, Commercial, Industrial



## Anthracite



- Granular anthracite selected per gradation, hardness and purity for specific use in potable and industrial water filtration;
- The high filtering efficiency of anthracite is due to its angular shape, that allows high filtering speed, longer filter runs and less head loss;
- Excellent media with density lower than sand, the anthracite is usually used in multimedia filters;
- Minimum carbon contents 90%, low silica, hardness 3° Mohs average.

### Operating conditions:

- Monolayer bed depth 600 ÷ 900 mm;
- Top bed depth in multilayer beds 250 ÷ 450 mm;
- Service flow rate following specific conditions;
- Backwash flow rate 28 ÷ 35 m3/h m2;
- Bed expansion 20 ÷ 30%.

Ref	Description	Fam.	Subfam.	Disp. Stock	Price Euro/kg
RA060	ANTHRACITE 0.6 - 1.0 BAG 25 KG	65	310	OK	4,77
RA061	ANTHRACITE 2 - 3 BAG 25 KG.	65	310	OK	4,77

Ref	Description	SIZE (mm)
RA060	ANTHRACITE 0.6 - 1.0 BAG 25 KG	0,6 ÷ 1,0
RA061	ANTHRACITE 2 - 3 BAG 25 KG.	2,0 ÷ 3,0

Physical properties	
Bulk density (g/l)	950
Absolute density (g/l)	1400
Humidity packaging	2 % max
Ashes	4 % (±2)
Substances volatiles	3 % (±1)
Sulphur	0,5 % max
pH	8 ÷ 10

Box: WxLxH	Box: Q.ty	Box: Weight	Pallet: WxLxH	Pallet: Q.ty	Pallet: Weight

Certificates	Manufacturer	Sectors
STANDARD EN 12909		Domestic, Commercial, Industrial



## Calcite



- CALCITE is a natural crushed and screened calcium carbonate media which is used to neutralize low pH waters;
- Acidic water slowly dissolves the calcium carbonate to raise the pH which reduces the potential leaching of copper, lead and other metals found in typical plumbing systems;
- One of the advantages of CALCITE is its self-limiting property, that corrects pH only enough to reach a non corrosive equilibrium;
- Of course CALCITE will increase the hardness of the water;
- Periodic backwashing of the bed is necessary to keep in working order the system;
- The CALCITE bed will have to be periodically replenished as the CALCITE is depleted;
- Gravel support bed is recommended;
- Available in 15,6 liters bags.

Ref	Description	Fam.	Subfam.	Disp. Stock	Price Euro
RA073	CALCITE BAG 15.6 LT.	65	320	OK	91,80

Physical properties	
Colour	white
Specific gravity (g/l)	2700
Bulk density (g/l)	1450
Effective size (mm)	0,4 ÷ 1,1
Composition	CaCO3 95% min. MgCO3 3% max
Operating conditions	
Bed depth (mm)	600 ÷ 750
Service flow rate (m3/h m2)	7 ÷ 15
Backwash flow rate (m³/h m²)	20 ÷ 30
Backwash bed expansion (%)	≥ 50
pH range	5,0 ÷ 7,0

Box: WxLxH	Box: Q.ty	Box: Weight	Pallet: WxLxH	Pallet: Q.ty	Pallet: Weight

Certificates	Manufacturer	Sectors
NSF60		Domestic, Commercial, Industrial



## Filter AG



- Filter-Ag is a non-hydrous silicon dioxide media which can be used as highly efficient filter media for the reduction of suspended matter. Its fractured edges and irregular surface provides an high surface area and complex flow path for efficient filtration;
- Less pressure loss through a bed of Filter-Ag than through most other filter medias;
- Light weight requires lower backwash rates than other filter medias;
- Upon installation allow bed to soak overnight before backwashing;
- Available in 28,3 liters bags.

Ref	Description	Fam.	Subfam.	Disp. Stock	Price Euro
RA059	FILTER AG - BAG 28,3 LT	65	310	OK	61,52

Physical properties	
Colour	light grey
Specific gravity (g/l)	2250
Specific gravity (g/l)	380 ÷ 420
Effective size (mm)	0,5 ÷ 2,0

Operating conditions	
Bed depth (mm)	600 ÷ 900
Service flow rate (m3/h m2)	12 ÷ 13
Backwash flow rate (m3/h m2)	20 ÷ 24
Backwash bed expansion (%) of bed depth	20 ÷ 40
Freeboard of bed depth (%)	≥ 50

Box: WxLxH	Box: Q.ty	Box: Weight	Pallet: WxLxH	Pallet: Q.ty	Pallet: Weight

Certificates	Manufacturer	Sectors
NSF61	Clack	Domestic, Commercial, Industrial



## Filter AG Plus



- Filter-Ag Plus is a clinoptilolite natural media with a large surface area and microporous structure which can be used as highly efficient filter media for the reduction of suspended matter. Its irregular surface and 3 micron void spaces provides a surface area over 100 times greater than silica sand;
- Its low pressure drop, high service flow rates and high bed loadings combined with lower backwash frequency allow economy in equipment downsizing and reduced pumping requirements;
- Utilizing deep bed filtration can typically reduce suspended solids down to 5 micron or less range;
- Filter Ag Plus can be applied to systems designed for either pressure or gravity flow;
- Available in 28,3 liters bags.

Ref	Description	Fam.	Subfam.	Disp. Stock	Price Euro
RA058	FILTER AG PLUS - BAG 28,3 LT	65	310	OK	110,72

Physical properties	
Colour	White to off white
Specific gravity (g/l)	2200
Bulk density (g/l)	800
Effective size (mm)	0,55

Operating conditions	
Bed depth (mm)	600 ÷ 1200 (900 for optimal filtration)
Service flow rate (m3/h m2)	30 ÷ 50
Backwash flow rate (m3/h m2)	35 ÷ 45
Backwash bed expansion (%) of bed depth	30 ÷ 40
Freeboard of bed depth (%)	≥ 50

Box: WxLxH	Box: Q.ty	Box: Weight	Pallet: WxLxH	Pallet: Q.ty	Pallet: Weight

Certificates	Manufacturer	Sectors
NSF61	Clack	Domestic, Commercial, Industrial





## GFH (Granular Ferric Hydroxide)



- Granular ferric hydroxide GFH is an adsorbent for selective removal of arsenic (both arsenite and arsenate), phosphate, vanadium, antimony, lead, uranium, molybdenum and other heavy metals from natural water;
- Preoxidation is not required for arsenic removal applications;
- Once the media has exhausted its adsorption capacity, it is removed from the vessel and replaced with new media;
- The simplicity of this process is very attractive for small installations and wellhead applications;
- Active substance  $\text{Fe(OH)}_3 + \beta\text{-FeOOH}$ ;
- Dry solids content 58% ( $\pm 10\%$ );
- EN 15029 European Standard compliant;
- NSF/ANSI 61 Standard compliant;
- For large quantities it is possible to order this material in a 800 kg big bag.

### Requirements for raw water

- Free of turbidity
- Positive redox potential
- No calcium precipitation

Ref	Description	Fam.	Subfam.	Disp. Stock	Price Euro
RA068D	GRANULAR FERRIC HYDROXIDE DRUM 20 KG	65	315	OK	480,99

Physical properties (with water content 45%):	
Density of grains (g/l)	1590
Bulk density (g/l) backwashed	1150 ( $\pm 10\%$ )
Particle size range (mm)	0,2 ÷ 2,0
Specific surface (m <sup>2</sup> /g) (BET method)	circa 300
Porosity of grains (%)	72 ÷ 77
Bulk porosity (%)	22 ÷ 28
Iron content, relative to dry solids	600g / Kg ( $\pm 10\%$ )

Operating conditions	
Bed depth (m)	0,8 ÷ 1,6
Specific flow rate (m <sup>3</sup> /h m <sup>2</sup> )	5 ÷ 20
Contact time (min)	3 ÷ 6
Backwash flow rate (m <sup>3</sup> /h m <sup>2</sup> )	26
Expansion free volume (%) of bed depth	50
Pressure loss max (bar)	0,5
Operation temperature max (°C)	60
AsO <sub>4</sub> <sup>3-</sup> Arsenic adsorption density in the drinking water processing (g/kg)	2 ÷ 10 (*)
(*) the adsorption density depends on pH and water chemistry.	

Box: WxLxH	Box: Q.ty	Box: Weight	Pallet: WxLxH	Pallet: Q.ty	Pallet: Weight

Certificates	Manufacturer	Sectors
STANDARD EN 15029 NSF61		Domestic, Commercial, Industrial



## Ecomix



- ECOMIX is a granular filtering media, suitable for remove natural organic matter, hardness, iron, manganese and ammonia in a wide pH range and without any oxidant products dosage;
- ECOMIX is a homogeneous mixture of five high quality ion-exchange and adsorption materials of natural and synthetic origin;
- You can use ECOMIX as a ion-exchange resin and regenerate it with sodium chloride (NaCl);
- Wide range of raw water as indicated in the "Limit Concentration Table" below;
- ECOMIX can treat water with high concentration of Fe and Mn, and with max TDS = 4000 mg/l;
- To calculate filter capacity, one should only consider water hardness and ion-exchange capacity (don't consider Fe and Mn data);
- NSF/ANSI 44, 61 & 372 certified;
- Shipping weight 0,75 kg / liter;
- Available in 12,0 or 25,0 liters bags.
- ECOMIX A is preferred when the contaminats to be removed are mainly Ammonia, Hardness, Iron and Manganese, and you have a little quantity of organic matter;
- ECOMIX C is preferred when the contaminats to be removed are mainly Ammonia, Hardness, Iron and Manganese, and you have a big quantity of organic matter;
- ECOMIX P is preferred when the contaminats to be removed are mainly Hardness, Iron and Manganese;
- **Warning:** if you use only a part of the product contained in a bag, you have make sure that all the contents are mixed, in order to homogenize the product before spilling. ECOMIX is a mixture of five materials with different specific weight and different particle size, which if not well mixed tends to stratify.

Ref	Description	Fam.	Subfam.	Disp. Stock	Price Euro/liter
RA080	FILTER MEDIA ECOMIX - A (BAG 12 LT.)	65	315	OK	13,55
RA080A	FILTER MEDIA ECOMIX - A (BAG 25 LT.)	65	315	NO	13,55
RA081	FILTER MEDIA ECOMIX - C (BAG 12 LT.)	65	315	OK	14,96
RA081A	FILTER MEDIA ECOMIX - C (BAG 25 LT.)	65	315	NO	14,96
RA082	FILTER MEDIA ECOMIX - P (BAG 12 LT.)	65	315	OK	10,48
RA082A	FILTER MEDIA ECOMIX - P (BAG 25 LT.)	65	315	NO	10,48

Ref	Ion exchange capacity (eq/l)	Ion exchange capacity (g CaCO3/l)	Dose of regenerant (g NaCl/liter 8-10%)
RA080	0,75	35	100
RA080A	0,75	35	100
RA081	0,65	30	100
RA081A	0,65	30	100
RA082	0,80	40	100
RA082A	0,80	40	100

Certificates	Manufacturer	Sectors
DM174-2004 NSF44 NSF61 NSF372		Domestic, Commercial, Industrial



## Ecomix

### Limit Concentration Tables

ECOMIX A	Hardness (ppm CaCO <sub>3</sub> )	Fe (mg/l) (ppm)	Mn (mg/l) (ppm)	COD (ppm KMnO <sub>4</sub> )	Ammonia (mg/l) (ppm)	TDS (ppm)
Raw water concentration limits	< 750	< 15	< 3	< 32	< 4	< 4000
Quality of purified water	≤ 20	< 0,2	< 0,05	< 16	< 0,5	No changes

ECOMIX C	Hardness (ppm CaCO <sub>3</sub> )	Fe (mg/l) (ppm)	Mn (mg/l) (ppm)	COD (ppm KMnO <sub>4</sub> )	Ammonia (mg/l) (ppm)	TDS (ppm)
Raw water concentration limits	< 750	< 15	< 3	< 80	< 4	< 4000
Quality of purified water	≤ 20	< 0,2	< 0,05	< 16	< 0,5	No changes

ECOMIX P	Hardness (ppm CaCO <sub>3</sub> )	Fe (mg/l) (ppm)	Mn (mg/l) (ppm)	COD (ppm KMnO <sub>4</sub> )	Ammonia (mg/l) (ppm)	TDS (ppm)
Raw water concentration limits	< 750	< 15	< 3	N.A.	N.A.	< 4000
Quality of purified water	≤ 20	< 0,2	< 0,05	N.A.	N.A.	No changes

Operating conditions		Unit of measurement
Maximum operating temperature	40	°C
pH range	5 ÷ 9	
Minimum bed depth	500	mm
Optimum bed depth	800	mm
Service flow rate	20 ÷ 25	m <sup>3</sup> /h m <sup>2</sup>
Backwash flow rate (15÷20 min)	10 ÷ 15	m <sup>3</sup> /h m <sup>2</sup>
Regeneration flow rate (45÷65 min)	3 ÷ 5	m <sup>3</sup> /h m <sup>2</sup>
Active chlorine	< 1	mg/l (ppm)
Free bed volume	≥ 40	%

### Commonly used pressure vessels:

	8x35	8x44	10x35	10x54	12x52	13x54	14x65	16x65	21x62
Volume of Ecomix (Liters)	16	20	24	36	48	60	72	96	144
Flow Rate (m <sup>3</sup> /h)@25 m/h	0,8	0,8	1,2	1,2	1,8	2,0	2,5	3,0	5,5
IX Capacity (kg CaCO <sub>3</sub> )	0,56	0,7	0,8	1,3	1,7	2,1	2,5	3,3	5,0
Salt (kg)	1,6	2,0	2,4	3,6	4,8	6,0	7,2	9,6	14,4
BW Flow Rate (m <sup>3</sup> /h)	0,4	0,4	0,6	0,6	0,9	1,1	1,2	1,6	2,7



## Corosex



- Corosex is designed for use in filters to neutralize acidity by increasing the pH value;
- By neutralizing the free carbon dioxide in water, Corosex can correct acidic water conditions and render it less corrosive. Corosex, being a highly reactive magnesium oxide, is used most effectively where pH correction is substantial or high flow conditions are in use. pH correction and media consumption are affected by a number of water chemical variables. Being soluble to acidity, Corosex will slowly dissolve and will need to be replenished periodically;
- On a per weight basis, magnesium oxide can neutralize five times more acidity than can calcium carbonate. This results in greatly reduced chemical usage for the same pH correction. Please note; under certain low flow conditions, Corosex may overcorrect and create a highly basic (high pH) condition;
- Under certain hardness conditions, pH correction can cause hardness minerals to precipitate out of solution, resulting in cementing or solidification of the Corosex mineral bed. Upflow service is generally recommended with hardness exceeding 9 °F. Always use an in-line filter ahead of an upflow system to prevent plugging of the lower distribution screen;
- As Corosex's magnesium oxide neutralizes the water, it will increase hardness and a softener may become necessary after the neutralizing filter;
- Corosex can be effectively combined with Calcite to combine the high flow neutralization properties of Corosex, along with the slower reacting low flow properties of Calcite, reducing potentially high basic properties due to overcorrection;
- High degree of activity and speed of correction allowing high flow;
- High capacity...less chemical usage;
- Available in 18,7 liters bags.

Ref	Description	Fam.	Subfam.	Disp. Stock	Price Euro
RA075	COROSEX BAG 18.7 LT.	65	315	OK	420,71

Physical properties	
Colour	Brownish white
Specific gravity (g/l)	3600
Bulk density (g/l)	1200
Effective size (mm)	1,4
Uniformity coefficient	1,7
Composition	MgO 97% min.
Mesh size	6 x 16

Operating conditions	
Bed depth (mm)	600 ÷ 750
Service flow rate (m <sup>3</sup> /h m <sup>2</sup> )	12 ÷ 15
Backwash flow rate (m <sup>3</sup> /h m <sup>2</sup> )	25 ÷ 30
Backwash bed expansion (%)	≥ 50
pH range	4,5 ÷ 6,0

Box: WxLxH	Box: Q.ty	Box: Weight	Pallet: WxLxH	Pallet: Q.ty	Pallet: Weight

Certificates	Manufacturer	Sectors
NSF60	Clack	Domestic, Commercial, Industrial



## RESIDENTIAL R.O. COMPONENTS



[BACK  
TO INDEX](#)



## In-Line Cartridges

- IN LINE cartridges ¼" NPT F connections;
- Max pressure = 100 psi (7 bar);
- Max temperature = 35°C;



Ref	Description	Fam.	Subfam.	Disp. Stock	Price Euro
DE028	MWG IN-LINE ACTIVATED CARBON CARTRIDGE 10" x 2"	30	175	OK	6,89
DE029	MWG IN-LINE SEDIMENT CARTRIDGE 10" x 2"	30	175	OK	7,42

Ref	Diameter (inch)	Lenght (inch)	Version	Flow (gpm)
DE028	2"	10"	Coconut Shell Activated Carbon	0,75
DE029	2"	10"	Sediment	0,75

Box: WxLxH	Box: Q.ty	Box: Weight	Pallet: WxLxH	Pallet: Q.ty	Pallet: Weight

Certificates	Manufacturer	Sectors
DM174-2004	<b>MWG</b>	Domestic

Ref	Description	Fam.	Subfam.	Disp. Stock	Price Euro
DE030	MWG IN-LINE ACTIVATED CARBON CARTRIDGE 11" x 2.1/2"	30	175	OK	11,11
DE031	MWG IN-LINE SEDIMENT CARTRIDGE 11" x 2.1/2"	30	175	OK	10,76

Ref	Diameter (inch)	Lenght (inch)	Version	Flow (gpm)
DE030	2½"	11"	Coconut Shell Activated Carbon	0,75
DE031	2½"	11"	Sediment	1,00

Box: WxLxH	Box: Q.ty	Box: Weight	Pallet: WxLxH	Pallet: Q.ty	Pallet: Weight

Certificates	Manufacturer	Sectors
DM174-2004	<b>MWG</b>	Domestic



## Clips - Valves - Tubing

**Single Mounting Clips:** PP material - white colour.



Ref	Description	Fam.	Subfam.	Disp. Stock	Price Euro
DE033	MWG SINGLE CLIP 2"	30	175	OK	0,33
DE034	MWG SINGLE CLIP 2.5"	30	175	OK	0,34
DE006	MWG SINGLE CLIP 3"	30	175	OK	1,28

Ref	Description	Diameter (mm)
DE033	MWG SINGLE CLIP 2"	50
DE034	MWG SINGLE CLIP 2.5"	60
DE006	MWG SINGLE CLIP 3"	90

Certificates	Manufacturer	Sectors
	<b>MWG</b>	Domestic



**Double Mounting Clips:** PP material - white colour

Ref	Description	Fam.	Subfam.	Disp. Stock	Price Euro
DE035	MWG DOUBLE CLIPS 2" x 2.5"	30	175	OK	0,65
DE036	MWG DOUBLE CLIPS 2.1/2"x2.1/2"	30	175	OK	0,70

Ref	Description	Diameter (mm)
DE035	MWG DOUBLE CLIPS 2" x 2.5"	50 x 60
DE036	MWG DOUBLE CLIPS 2.1/2"x2.1/2"	60 x 60

Certificates	Manufacturer	Sectors
	<b>MWG</b>	Domestic



## MWG High Pressure Switch



Pressure switch contact NO; Connection 1/4" G; Body material in Stainless Steel; Diaphragm in NBR; Max Voltage = 42 V; Max Current = 4 A; Max operating pressure = 150 bar; Operating temperature range = - 40 ÷ + 100°C Class protection IP54; Conform with CE safety Directives;

Ref	Description	Fam.	Subfam.	Disp. Stock	Price Euro
DH571	MWG HIGH PRESSURE SWITCH 1-10 BAR	30	175	OK	36,75
DH573	MWG HIGH PRESSURE SWITCH 1-20 BAR	30	175	OK	36,75
DH575	MWG HIGH PRESSURE SWITCH 20-50 BAR	30	175	OK	36,75

Ref	Description	Tolerance
DH571	MWG HIGH PRESSURE SWITCH 1-10 BAR	± 0,5 bar
DH573	MWG HIGH PRESSURE SWITCH 1-20 BAR	± 1 bar
DH575	MWG HIGH PRESSURE SWITCH 20-50 BAR	± 2 bar

Box: WxLxH	Box: Q.ty	Box: Weight	Pallet: WxLxH	Pallet: Q.ty	Pallet: Weight

Certificates	Manufacturer	Sectors
DM174-2004 CE	<b>MWG</b>	Domestic, Commercial, Industrial

## MWG Booster Pumps for Residential R.O.



- MWG booster pumps for residential R.O. Systems; Max operating Temperature = 40°C;
- Membrane booster pumps without transformer (to order separately);
- IN/OUT connections 3/8" F NPT;

Ref	Description	Fam.	Subfam.	Disp. Stock	Price Euro
DH501	MWG BOOSTER PUMP M100G 1.1 LPM 24VDC 1.2A	30	175	OK	58,14
DH503	MWG BOOSTER PUMP L200G 1.6 LPM 24VDC 1.6A	30	175	OK	69,98
DH505	MWG BOOSTER PUMP L400G 2.6 LPM 24VDC 2.5A	30	175	OK	82,58

Ref.	Ref. Transformer	Inlet pressure (psi)	Working pressure range (psi)	Flow 70 psi (l/min)	Rated current (A)	Current 70 psi (A)
DH501	DH531	30	60 ÷ 80	≥ 1,1	1,8	≤ 1,2
DH503	DH533	30	60 ÷ 80	≥ 1,6	2,2	≤ 1,6
DH505	DH535	30	70 ÷ 90	≥ 2,6	3,6	≤ 2,5

Box: WxLxH	Box: Q.ty	Box: Weight	Pallet: WxLxH	Pallet: Q.ty	Pallet: Weight

Certificates	Manufacturer	Sectors
DM174-2004 CE	<b>MWG</b>	Domestic

## Transformer

Ref	Description	Fam.	Subfam.	Disp. Stock	Price Euro
DH531	TRANSFORMER 24VDC 2A	30	175	OK	21,16
DH533	TRANSFORMER 24VDC 2.5A	30	175	OK	24,61
DH535	TRANSFORMER 24VDC 4A	30	175	OK	41,35

Box: WxLxH	Box: Q.ty	Box: Weight	Pallet: WxLxH	Pallet: Q.ty	Pallet: Weight

Certificates	Manufacturer	Sectors
CE		Domestic





## MWG Two -Way Solenoid Valves for R.O. Systems



Two-way solenoid valve NC direct acting; Body material plastic; Seals in EPDM; Spring in SS304; Range water temperature = 4°C ÷ 120°C; Range ambient temperature = -10°C ÷ +40°C; Range pressure = 0 ÷ 8 bar; Class protection IP65; Connections 1/4" NPT; Orifice diameter 2,5 mm;

Ref	Description	Fam.	Subfam.	Disp. Stock	Price Euro
DH601	MWG PLASTIC SOLENOID VALVEC NC 1/4" NPT 24V DC	30	175	OK	7,28
DH603	MWG PLASTIC SOLENOID VALVEC NC 1/4" NPT 24V AC	30	175	OK	7,28

Ref	Description	Power supply
DH601	MWG PLASTIC SOLENOID VALVEC NC 1/4" NPT 24V DC	24 V DC
DH603	MWG PLASTIC SOLENOID VALVEC NC 1/4" NPT 24V AC	24 V AC

Certificates	Manufacturer	Sectors
DM174-2004 CE	<b>MWG</b>	Domestic



Two-way solenoid valve NC direct acting; Body material brass; Seals in EPDM; Range water temperature = 4°C ÷ 120°C; Class protection IP65; G thread connections;

Ref	Description	Fam.	Subfam.	Disp. Stock	Price Euro
DH611	MWG BRASS SOLENOID VALVEC NC 1/4" GAS 24V DC	30	175	OK	21,28
DH615	MWG BRASS SOLENOID VALVEC NC 3/8" GAS 220V AC 5 BAR	30	175	OK	32,47

Ref	Orifice diameter (mm)	Max operating pressure (bar)
DH611	5	5
DH615	5	5

Certificates	Manufacturer	Sectors
DM174-2004 CE	<b>MWG</b>	Domestic, Commercial, Industrial



Two-way solenoid valve NC indirect acting; Body material brass; Seals in EPDM; Range water temperature = 4°C ÷ 120°C; Class protection IP65; G thread connections;

Ref	Description	Fam.	Subfam.	Disp. Stock	Price Euro
DH621	MWG BRASS SOLENOID VALVE NC 3/8" GAS 220V AC 16 BAR	30	175	OK	49,51
DH623	MWG BRASS SOLENOID VALVE NC 1/2" GAS 220V AC	30	175	OK	49,51
DH625	MWG BRASS SOLENOID VALVE NC 3/4" GAS 220V AC	30	175	OK	57,21
DH627	MWG BRASS SOLENOID VALVE NC 1" GAS 220V AC	30	175	OK	76,39
DH629	MWG BRASS SOLENOID VALVE NC 1 1/4" GAS 220V AC	30	175	OK	152,86
DH631	MWG BRASS SOLENOID VALVE NC 1 1/2" GAS 220V AC	30	175	OK	154,64
DH633	MWG BRASS SOLENOID VALVE NC 2" GAS 220V AC	30	175	OK	221,19

Ref	Orifice diameter (mm)	Max operating pressure (bar)
DH621	15	16
DH623	15	16
DH625	20	16
DH627	25	16
DH629	35	16
DH631	35	16
DH633	50	16

Certificates	Manufacturer	Sectors
DM174-2004 CE	<b>MWG</b>	Domestic, Commercial, Industrial



## Valves for Residential R.O. and Filtration System

### Needle Valves

Needle valve for residential R.O and filtration systems; for tube 1/2" M/F or 3/8" M/F; connection for 1/4" or 3/8" or 5/16" flexible tubing; material brass.



Ref	Description	Fam.	Subfam.	Disp. Stock	Price Euro
DE039	NEEDLE VALVE 1/2" MF X 1/4 TUBE	30	175	OK	10,56
DE050	NEEDLE VALVE 1/2" MF X 3/8" TUBE	30	175	OK	10,10
DE050A	NEEDLE VALVE 1/2" MF X 5/16" TUBE	30	175	OK	13,56
DE039A	NEEDLE VALVE 3/8" M/F x1/4" TUBE	30	175	OK	12,13

## Drain and Diverter Valves for R.O. Systems

Suitable for residential R.O and filtration systems.

**Drain Clamp** - material ABS black.



Ref	Description	Fam.	Subfam.	Disp. Stock	Price Euro
DE040	DRAIN CLAMP 1/4" TUBE	30	175	OK	1,80
DE049	DRAIN CLAMP 1/4" FEMALE NPT	30	175	OK	3,60

### Diverter Valve with Swivel Collar

Connection for 1/4" tubing; material chrome plated brass.



Ref	Description	Fam.	Subfam.	Disp. Stock	Price Euro
DE042	DIVERTER VALVE WITH SWIVEL COLLAR 1/4" TUBE	30	175	OK	13,70

### Adapter 15/16" - 27 X 55/64" - 27

Length 8 mm; material chrome plated brass.



Ref	Description	Fam.	Subfam.	Disp. Stock	Price Euro
DE043	ADAPTER 15/16" x 55/64"	30	175	OK	1,93



## Jaco Style Fittings

Jaco Style Fittings

### Straight



Ref	Description	Fam.	Subfam.	Disp. Stock	Price Euro
DE063	STRAIGHT FITTING 1/8" NPT x 1/4" TUBE	30	175	OK	0,57
DE064	STRAIGHT FITTING 1/4" NPT x 1/4" TUBE	30	175	OK	0,46
DE068	STRAIGHT FITTING 1/4" F NPT X1/4" TUBE	30	175	OK	2,44
DE069	STRAIGHT FITTING 3/8" NPT X1/4" TUBE	30	175	OK	1,01

### Elbows



Ref	Description	Fam.	Subfam.	Disp. Stock	Price Euro
DE060	ELBOW FITTING 1/8" NPT x 1/4" TUBE	30	175	OK	0,46
DE061	ELBOW FITTING 1/4" NPT x 1/4" TUBE	30	175	OK	0,46
DE070	ELBOW FITTING 3/8" NPT X 1/4" TUBE	30	175	OK	0,83

### Tees



Ref	Description	Fam.	Subfam.	Disp. Stock	Price Euro
DE065	TEE FITTING 1/4" NPT LATERAL X 1/4" TUBE	30	175	OK	0,83
DE066	TEE FITTING 1/4" NPT CENTRAL X 1/4" TUBE	30	175	OK	0,69
DE067	TEE FITTING 1/4" TUBE	30	175	OK	1,01

Certificates	Manufacturer	Sectors
DM174-2004		Domestic



## Valves for Residential R.O. and Filtration System



### Saddle Valve

Saddle valve self piercing for residential R.O and filtration systems; suitable for copper piping; connection for 1/4" tubing; material brass with aluminium clamp.

Ref	Description	Fam.	Subfam.	Disp. Stock	Price Euro
DE041	NEEDLE VALVE 1/4" TUBE	30	175	OK	7,61

## Flow Restrictors - Check Valves



### In-Line Flow Restrictors

Quick connections 1/4" tube.

Ref	Description	Fam.	Subfam.	Disp. Stock	Price Euro
DE105	IN LINE FLOW RESTRICTOR 150 MLM - 1/4" TUBE	30	175	OK	6,18
DE106	IN LINE FLOW RESTRICTOR 300 MLM - 1/4" TUBE	30	175	OK	5,63
DE107	IN LINE FLOW RESTRICTOR 400 MLM - 1/4" TUBE	30	175	OK	5,54
DE108	IN LINE FLOW RESTRICTOR 550 MLM - 1/4" TUBE	30	175	OK	5,86
DE109	IN LINE FLOW RESTRICTOR 600 MLM - 1/4" TUBE	30	175	OK	5,40
DE110	IN LINE FLOW RESTRICTOR 800 MLM - 1/4" TUBE	30	175	OK	5,63

Ref	Flow 60 psi (gpd)	Flow 60 psi (ml/min)
DE105	60	150
DE106	115	300
DE107	150	400
DE108	208	550
DE109	227	600
DE110	300	800



### JACO Style Check Valve

Jaco style elbow 1/8" x 1/4" tube complete with AISI check-valve.

Ref	Description	Fam.	Subfam.	Disp. Stock	Price Euro
DE079	ELBOW 1/8"X1/4" TUBE W/STAINLESS STEEL CHECK VALV	30	175	OK	3,69



### Elbowed Ball Valve

Material white plastic; connections 1/4" F NPT x 1/4" tubing.

Ref	Description	Fam.	Subfam.	Disp. Stock	Price Euro
DE052	ELBOWED BALL VALVE 1/4" F NPT x 1/4" TUBE	30	175	OK	3,51



### Automatic Shut-Off Valve

Material white ABS; connections 1/4" tubing; max pressure 125 psi (8,5 bar).

Ref	Description	Fam.	Subfam.	Disp. Stock	Price Euro
DE038	SHUT-OFF VALVE 1/4" TUBE	30	175	OK	5,35



## Storage Tanks for R.O. Systems



### PP Storage Tanks

- Pressurized storage tank for treated water;
- White colour;
- Connection 1/4" NPT;
- Min. operating pressure 1 bar.

Ref	Description	Fam.	Subfam.	Disp. Stock	Price Euro
DE032	PP/SS R.O STORAGE TANK 12 LT.	30	175	OK	70,95
DE032A	PP/SS R.O STORAGE TANK 19 LT.	30	175	OK	75,79

Ref	Diameter (mm)	Height (mm)	Max pressure (bar)
DE032	240	370	7,0
DE032A	280	400	7,0

Box: WxLxH	Box: Q.ty	Box: Weight	Pallet: WxLxH	Pallet: Q.ty	Pallet: Weight

Certificates	Manufacturer	Sectors
DM174-2004 NSF58 CE		Domestic



### Steel Storage Tanks

- Pressurized storage tank for R.O water;
- Material painted steel, white colour;
- Connection 1" BSPP female;
- With threaded extension M 1" x 1/4", with elbowed ball valve with connection 3/8" tubing;
- Min. operating pressure 1 bar;
- Max operating pressure 7 bar;
- The pre-charge pressure is 0,5 bar (7 psi) +/- 0,14 bar (2 psi).

Ref	Description	Fam.	Subfam.	Disp. Stock	Price Euro
DE096	S.S. RO STORAGE TANK 41 LT.	30	175	OK	232,99
DE097	S.S. RO STORAGE TANK 75 LT.	30	175	OK	341,40

Ref	Diameter (mm)	Height (mm)
DE096	390	575
DE097	390	770

Box: WxLxH	Box: Q.ty	Box: Weight	Pallet: WxLxH	Pallet: Q.ty	Pallet: Weight

Certificates	Manufacturer	Sectors
DM174-2004 NSF58 CE		Domestic

## In-Line Cartridges

### R.O. compact assembly and accessories



Ref	Description	Fam.	Subfam.	Disp. Stock	Price Euro
DE100	R.O. COMPACT GROUP	30	175	NO	165,46
DE101	MEMBRANE 50 GPD FOR DE100	30	175	OK	102,60
DE102A	PREFILTER CARTRIDGE SEDIMENT/CARBON BLOCK FOR EMPTY COMPACT R.O. ASSEMBLY	30	175	OK	29,16
DE103	GAC POSTFILTR CARTRIDGE FOR EMPTY COMPACT R.O. ASSEMBLY	30	175	OK	26,15



## Flexible 1/4" Tubing

Ref	Description	Fam.	Subfam.	Disp. Stock	Price Euro
DE082	PVC TUBE WHITE 1/4" - ROLL 50 MT.	30	175	OK	34,60
DE083	PE TUBE BLUE 1/4" - ROLL 50 MT.	30	175	OK	25,37
DE086	PE TUBE RED 1/4" - ROLL 50 MT.	30	175	OK	32,29
DE081	PE TUBE CLEAR 1/4" - ROLL 100 MT.	30	175	OK	67,50



## Insert for Flexible 1/4" Tubing: CELCON material.

Ref	Description	Fam.	Subfam.	Disp. Stock	Price Euro
DE059	PLASTIC INSERT FOR 1/4" TUBE	30	175	OK	0,10



## Faucet

### Long Reach Faucet

- material chrome plated; connection for 1/4" tubing; complete with installation kit; threaded tube length 50 mm.



Ref	Description	Fam.	Subfam.	Disp. Stock	Price Euro
DE037	LONG REACH FAUCET 1/4" TUBE	30	175	OK	30,54

Certificates	Manufacturer	Sectors
		Domestic

### Quarter-Turn faucet

- metal and plastic chrome material;
- connection for 1/4" tubing;
- complete with installation kit;
- threaded tube length 71 mm.



Ref	Description	Fam.	Subfam.	Disp. Stock	Price Euro
DE116	QUARTER - TURN FAUCET 1/4" TUBE	30	175	OK	43,82

Certificates	Manufacturer	Sectors
		Domestic





## Pressure Gauge - Adapters - Valves

### Pressure Gauge

- pressure set 0 ÷ 10 bar;
- connection 1/8" M;
- diameter 25 mm.



Ref	Description	Fam.	Subfam.	Disp. Stock	Price Euro
DE077	MANOMETER D.25 0-10 KG/CM2 1/8"	30	175	NO	8,17

Certificates	Manufacturer	Sectors
		Domestic

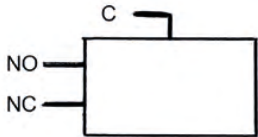
## High/low pressure switch

- Pressure 30 - 50 psi;
- Connections 1/4 tube;
- To use as high pressure switch contacts C and NC;
- To use as low pressure switch contacts C and NO.



Ref	Description	Fam.	Subfam.	Disp. Stock	Price Euro
DE139	PRESSURE SWITCH PSH	30	175	OK	9,96

Certificates	Manufacturer	Sectors
		Domestic

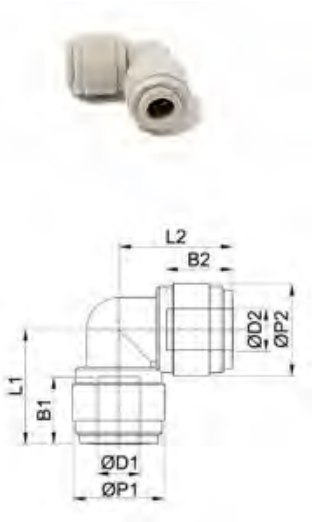




## Union connector

Ref	Description	Fam.	Subfa m.	Disp. Stock	Price Euro
DH073	UNION CONNECTOR 1/4" - 1/4"	30	175	OK	2,25
DH075	UNION CONNECTOR 3/8" - 3/8"	30	175	OK	2,89
DH079	UNION CONNECTOR 3/8" - 1/4"	30	175	OK	3,02

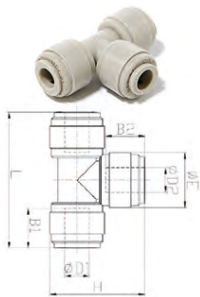
Ref	B1 (mm)	B2 (mm)	Ø E (mm)	L (mm)
DH073	16,9	16,9	15,5	36,2
DH075	20,2	20,2	20,0	42,9
DH079	20,2	16,9	20,0	42,1



## Union elbow

Ref.	Description	Fam.	Subfa m.	Disp. Stock	Price Euro
DH083	UNION ELBOW 1/4" - 1/4"	30	175	OK	2,54
DH085	UNION ELBOW 3/8" - 3/8"	30	175	OK	3,74

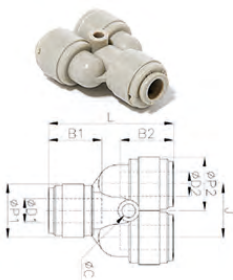
Ref.	Ø D1 (mm)	Ø D2 (mm)	Ø P1 (mm)	Ø P2 (mm)	B1 (mm)	B2 (mm)	L1 (mm)	L2 (mm)
DH083	6,4	6,4	15,5	15,5	12,7	12,7	21,4	21,4
DH085	9,5	9,5	20,0	20,0	14,5	14,5	26,0	26,0



## Union T

Ref	Description	Fam.	Subfa m.	Disp. Stock	Price Euro
DH093	UNION TEE 1/4" - 1/4" - 1/4"	30	175	OK	3,15
DH095	UNION TEE 3/8" - 3/8" - 3/8"	30	175	OK	3,80

Ref	B1 (mm)	B2 (mm)	B3 (mm)	Ø E (mm)	L (mm)	H (mm)
DH093	16,9	16,9	16,9	15,5	42,0	28,8
DH095	20,2	20,2	20,2	20,0	51,8	35,9



## Two way divider

Ref	Description	Fam.	Subfa m.	Disp. Stock	Price Euro
DH103	TWO WAY DIVIDER 1/4" - 1/4" - 1/4"	30	175	OK	4,10
DH105	TWO WAY DIVIDER 3/8" - 3/8" - 3/8"	30	175	OK	4,20

Ref	B1 (mm)	B2 (mm)	Ø P1 (mm)	Ø P2 (mm)	L (mm)	J (mm)	C (mm)
DH103	16,9	16,9	15,5	15,5	38,8	15,5	3,3
DH105	20,2	20,2	20,0	20,0	46,4	20,0	4,5



## Fittings

- Suitable for residential R.O. and filtration systems;
- Designed for water, food and air contact but can be used with selected gases, vacuum & other liquids;
- DM 174 (Italy) dated 06/04/2004 compliant about materials suitable for contact with water for human consumption;
- In compliance with the sanitary certification ACS (France);
- In acetal resin grey color, non-toxic and NSF approved material; Pressure max 16 bar @ 25°C.

### Male connector NPT

Ref	Description	Fam.	Subfam.	Disp. Stock	Price Euro
DH005	MALE CONNECTOR 1/8" NPT WITH D=1/4"	30	175	OK	1,77
DH006	MALE CONNECTOR 1/4" NPT WITH D=1/4"	30	175	OK	1,80
DH007	MALE CONNECTOR 3/8" NPT WITH D=1/4"	30	175	OK	2,69
DH012	MALE CONNECTOR 1/8" NPT WITH D=3/8"	30	175	OK	2,66
DH013	MALE CONNECTOR 1/4" NPT WITH D=3/8"	30	175	OK	2,70
DH014	MALE CONNECTOR 3/8" NPT WITH D=3/8"	30	175	OK	2,80

Ref	A (mm)	B (mm)	Ø E (mm)	H (mm)	L (mm)
DH005	9,1	16,9	17,8	15,8	27,0
DH006	13,2	16,9	17,8	15,8	27,0
DH007	13,8	16,9	21,4	19,0	26,1
DH012	9,1	20,2	23,0	20,6	30,4
DH013	13,2	20,2	23,0	20,6	34,3
DH014	13,8	20,2	23,0	20,6	29,9

### Female adapter NPTF

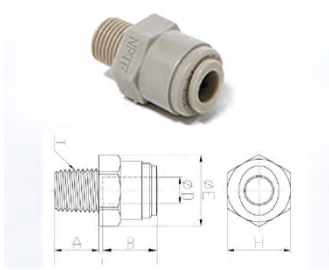
Ref	Description	Fam.	Subfam.	Disp. Stock	Price Euro
DH021	FEMALE ADAPTER 1/8" NPT WITH D=1/4"	30	175	OK	3,44
DH022	FEMALE ADAPTER 1/4" NPT WITH D=1/4"	30	175	OK	2,77
DH023	FEMALE ADAPTER 1/4" NPT WITH D=3/8"	30	175	OK	2,90

Ref	Ø P (mm)	A (mm)	B (mm)	Ø E (mm)	H (mm)	L (mm)
DH021	15,5	11,5	16,9	19,0	17	30,9
DH022	15,5	11,5	16,9	21,5	19	30,9
DH023	20,0	11,5	20,2	21,5	19	34,2

### Male elbow NPT

Ref	Description	Fam.	Subfam.	Disp. Stock	Price Euro
DH033	MALE ELBOW 1/8" NPT WITH D=1/4"	30	175	OK	2,01
DH034	MALE ELBOW 1/4" NPT WITH D=1/4"	30	175	OK	2,17
DH035	MALE ELBOW 3/8" NPT WITH D=1/4"	30	175	OK	3,50
DH038	MALE ELBOW 1/4" NPT WITH D=3/8"	30	175	OK	3,65
DH039	MALE ELBOW 3/8" NPT WITH D=3/8"	30	175	OK	3,99

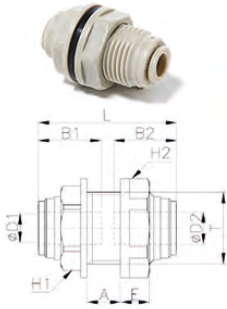
Ref	Ø P (mm)	A (mm)	B (mm)	E (mm)	H (mm)	L (mm)
DH033	15,5	9,1	16,9	26,4	11,0	25,6
DH034	15,5	13,2	16,9	31,9	11,0	27,0
DH035	15,5	13,8	16,9	32,7	11,0	28,9
DH038	20,0	13,2	20,2	35,2	14,3	31,8
DH039	20,0	13,8	20,2	35,8	14,3	33,9





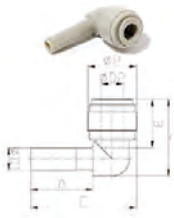
## Fittings

### Bulkhead connector



Ref	Description	Fam.	Subfam.	Disp. Stock	Price Euro
DH052	BULKHEAD CONNECTOR 1/4" - 1/4"	30	175	OK	3,58
DH054	BULKHEAD CONNECTOR 3/8" - 3/8"	30	175	OK	5,32

Ref	T	B1 (mm)	B2 (mm)	H1 (mm)	H2 (mm)	L (mm)
DH052	M17	16,9	16,9	19	21	35,7
DH054	M24	20,2	20,2	24	25,5	42,4



### Union elbow tube with stem

Ref	Description	Fam.	Subfam.	Disp. Stock	Price Euro
DH063	UNION ELBOW TUBE WITH STEM 1/4" - 1/4"	30	175	OK	2,26
DH065	UNION ELBOW TUBE WITH STEM 3/8" - 3/8"	30	175	OK	4,02
DH067	UNION ELBOW TUBE WITH STEM 3/8" - 1/4"	30	175	OK	3,97

Ref	Ø P (mm)	A (mm)	B (mm)	E (mm)	L (mm)
DH063	15,5	21,0	16,9	34,8	25,1
DH065	20,0	24,8	20,2	43,2	31,4
DH067	17,6	22,5	17,5	38,3	27,7



### Union connector

Ref	Description	Fam.	Subfam.	Disp. Stock	Price Euro
DH073	UNION CONNECTOR 1/4" - 1/4"	30	175	OK	2,25
DH075	UNION CONNECTOR 3/8" - 3/8"	30	175	OK	2,89
DH079	UNION CONNECTOR 3/8" - 1/4"	30	175	OK	3,02

Ref	B1 (mm)	B2 (mm)	Ø E (mm)	L (mm)
DH073	16,9	16,9	15,5	36,2
DH075	20,2	20,2	20,0	42,9
DH079	20,2	16,9	20,0	42,1



### Bulkhead flow regulators

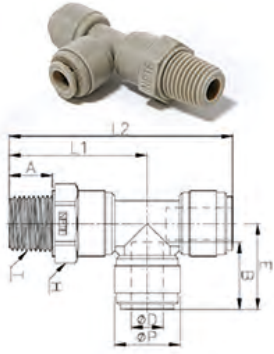
Ref	Description	Fam.	Subfam.	Disp. Stock	Price Euro
DH157	BULKHEAD FLOW REGULATOR WITH D=1/4"	30	175	OK	16,04
DH158	BULKHEAD FLOW REGULATOR WITH D=3/8"	30	175	OK	19,19

Ref	T	Ø P (mm)	A (mm)	B (mm)	E1 (mm)	E2 (mm)	H (mm)	L min (mm)	L max (mm)
DH157	M12	15,5	5,0	16,9	22,2	44,4	16	45,5	50,4
DH158	M15	20,0	6,0	19,8	26,1	52,1	19	52,7	58,4



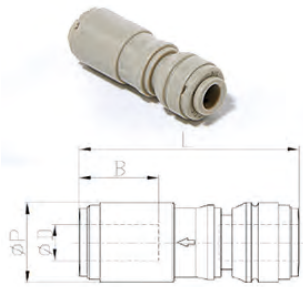
## Fittings

### Male Swivel run tee NPT



Ref	Description	Fam.	Subfam.	Disp. Stock	Price Euro
DH122	MALE SWIVEL RUN TEE 1/4" NPT WITH D=1/4"	30	175	OK	3,87
DH124	MALE SWIVEL RUN TEE 3/8" NPT WITH D=3/8"	30	175	OK	4,36

Ref	Ø P (mm)	A (mm)	B (mm)	E (mm)	H (mm)	L1 (mm)	L2 (mm)
DH122	15,5	13,2	16,9	21,0	17,46	36,9	57,9
DH124	20,0	13,0	20,2	25,9	21,4	41,8	67,7



### Check valves

Ref	Description	Fam.	Subfam.	Disp. Stock	Price Euro
DH131	CHECK VALVES 1/4"	30	175	OK	15,10
DH133	CHECK VALVES 3/8"	30	175	OK	17,39

Ref	Ø P (mm)	B (mm)	L (mm)
DH131	15,5	16,1	45,5
DH133	20,0	19,5	57,8



### 2 ways hand valves

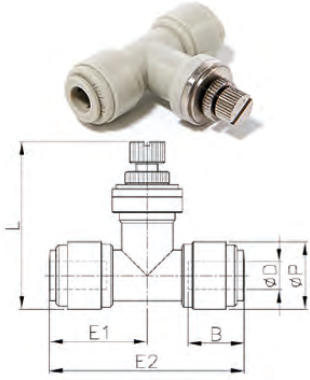
Ref	Description	Fam.	Subfam.	Disp. Stock	Price Euro
DH141	2 WAYS HAND VALVES 1/4"	30	175	OK	9,06
DH143	2 WAYS HAND VALVES 3/8"	30	175	OK	9,56

Ref	Ø D1 Connection (inch)	Ø D2 Connection (inch)	B1 (mm)	B2 (mm)	Ø P1 (mm)	Ø P2 (mm)	L1 (mm)	L2 (mm)	E (mm)	Ø C (mm)
DH141	1/4"	1/4"	16,1	16,1	15,5	15,5	9,5	34,5	51,7	19,2
DH143	3/8"	3/8"	20,2	20,2	20,2	20,2	12,5	42,3	63,2	24,2



## Fittings

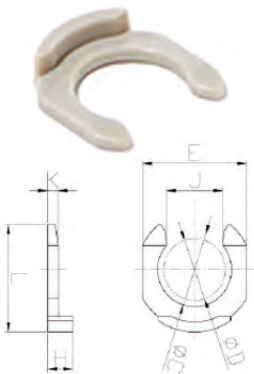
### Flow regulators



Ref	Description	Fam.	Subfam.	Disp. Stock	Price Euro
DH167	FLOW REGULATOR WITH D=1/4"	30	175	OK	14,14
DH168	FLOW REGULATOR WITH D=3/8"	30	175	OK	15,34

Ref	ø P (mm)	B (mm)	L min (mm)	L max (mm)	E1 (mm)	E2 (mm)
DH167	15,5	16,9	45,5	42,7	22,2	44,4
DH168	20,0	19,8	57,8	49,7	26,1	52,1

### Locking clips



Ref	Description	Fam.	Subfam.	Disp. Stock	Price Euro
DH193	LOCKING CLIPS FOR FITTINGS 1/4"	30	175	OK	0,17
DH195	LOCKING CLIPS FOR FITTINGS 3/8"	30	175	OK	0,18

Ref	ø D Connection (inch)	ø C (mm)	E (mm)	L (mm)	H (mm)	J (mm)	K (mm)
DH193	06 - 1/4"	8,0	11,6	11,6	3,1	6,4	1,3
DH195	10 - 3/8"	11,8	16,0	16,4	3,4	9,2	1,4

### Male swivel tee NPTF



Ref	Description	Fam.	Subfam.	Disp. Stock	Price Euro
DH112	MALE SWIVEL TEE 1/4" NPT WITH D=1/4"	30	175	OK	3,87
DH114	MALE SWIVEL TEE 3/8" NPT WITH D=3/8"	30	175	OK	4,24

Ref	ø P (mm)	A (mm)	B (mm)	E (mm)	H (mm)	L (mm)
DH112	15,5	13,2	16,9	21,0	17,46	36,9
DH114	20,0	13,0	20,2	25,9	21,4	41,8



## PRF-RO Reverse Osmosis System



- Suitable for residential and commercial application use;
- Compact and reliable system that better suits the flow requirements of small and mid-sized businesses;
- No storage tank needed;
- Works with Line Pressure;
- No Pump or Electricity;
- Very easy installation with quick connections;
- Virtually Maintenance Free (change cartridges fast and easy);
- Consisting of Nr.1 Carbon Pre-Filter, Nr.2 R.O. Membrane Elements and Nr.1 Carbon Post-Filter.

Ref	Description	Fam.	Subfam.	Disp. Stock	Price Euro
DE904	KIT R.O. PRF-RO SYSTEM P/N 4000462 WITH FAUCET	30	179	OK	1155,81

Ref	P.N.	Description
DE904	4000462	KIT R.O. PRF-RO SYSTEM P/N 4000462 WITH FAUCET

OPERATING CONDITIONS	MINIMUM	MAXIMUM
Inlet Pressure	2,8 bar (40 psi)	5,5 bar (80 psi)
Inlet Temperature (°C)	4	38
Inlet TDS (mg/l)	50	2.000
Inlet Hardness (°F)	0	20
Inlet Chlorine (mg/l)	0	1,0
Inlet Iron (mg/l)	0	0,1
Inlet Manganese (mg/l)	0	0,05

**Salt Rejection: Minimum 90%, Medium 93%.**

TUBING/FITTING DIMENSIONS	
Inlet Tubing (natural tubing)	½"
Concentrate Tubing (black tubing)	¾"
Permeate Tubing (blue tubing)	¾"
Drain Tubing (red tubing) for airgap installation	½"
Drain connection	¾" o ½"
Carbon Post-Filter	¾" quick disconnect fittings

### Filter/Membrane Performance Specifications:

Filter Type	Length (mm)	Diameter (mm)	Flow Rate (lpm)	Flow Rate (gpm)	Average Life (months)
Carbon Pre-Filter	432	74	14,20	3,75	6 ( or 19.000 Liters )
RO Element	476	80	0,95	0,25	24 ÷ 48
Carbon Post-Filter	254	51	2,80	0,75	6 ( or 19.000 Liters )

Box: WxLxH	Box: Q.ty	Box: Weight	Pallet: WxLxH	Pallet: Q.ty	Pallet: Weight

Certificates	Manufacturer	Sectors
	Pentair	Domestic, Industrial



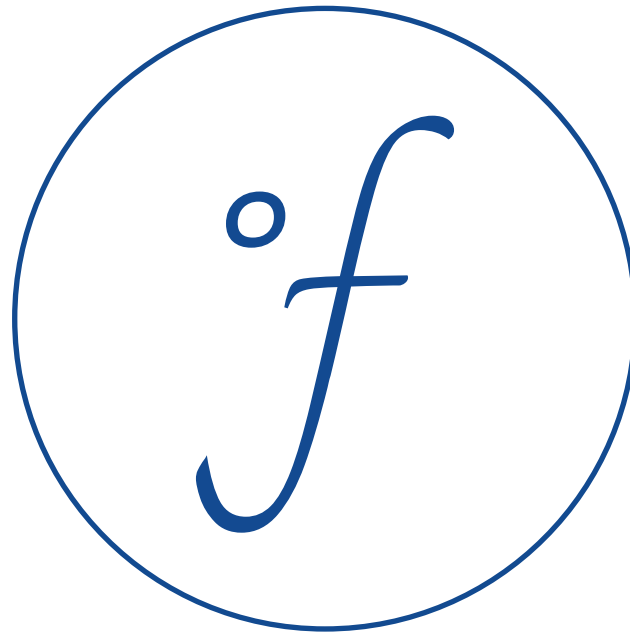
## PRF-RO Reverse Osmosis System

### Spare parts of PRF-RO Reverse Osmosis System:

Ref	Description	Fam.	Subfam.	Disp. Stock	Price Euro
DE920	MEMBRANE R.O. MERLIN P/N 4000569	30	179	OK	286,81
DE923	CARBON CARTRIDGE PRE FILTER P/N 3038333	30	179	OK	66,94
DE924	PRE FILTER CARTRIDGE SEDIMENT 10 MICRON P/N 1266690	30	179	OK	36,06
DE926	CARBON IN LINE POSTFILTER P/N 255526-09	30	179	OK	39,27

Ref	P.N.	Description
DE920	4000569	MEMBRANE R.O. MERLIN P/N 4000569
DE923	3038333	CARBON CARTRIDGE PRE FILTER P/N 3038333
DE924	1266690	PRE FILTER CARTRIDGE SEDIMENT 10 MICRON P/N 1266690
DE926	255526-09	CARBON IN LINE POSTFILTER P/N 255526-09





# WATER SOFTENERS

Canature, Runxin



[BACK  
TO INDEX](#)



## CANATURE Automatic Water Softeners CS23H Series



- Suitable for residential water softening applications;
- With standard accessories and pre-assembled, with ion exchange resin;
- Standard colours: white tank in HDPE and grey cover in ABS;
- With BNT850HE-PRO valve in PPO; electronic, volumetric, programmable, multilingual.
- Meter immediate, meter delayed, day override, vacation mode;
- Foreground menu (available for customer) - you can adjust water hardness. Background menu - you can adjust advanced settings;
- With raw water bypass during regeneration. With external bypass. With hard-water mixing screw.

Ref.	Description	Fam.	Subfam.	Disp. Stock	Price Euro
SC001	CS23H CANATURE AUTOMATIC WATER SOFTENER - 0915	405	802	OK	813,70
SC003	CS23H CANATURE AUTOMATIC WATER SOFTENER - 1035	405	802	OK	1017,69
SC004	CS23H CANATURE AUTOMATIC WATER SOFTENER - 1044	405	802	OK	1103,05

Ref.	SC001	SC003	SC004
Tank Size (inch)	9x15	10x35	10x44
Height (mm)	517	1027	1254
Sand Quantity (l)	0	5	5
Resin Quantity (l)	10	30	42
Salt Storage Capacity (kg)	23	60	75
Injector	0000# Black	0000# Black	0000# Black
BLFC (gpm)	0,2	0,2	0,3
DLFC (gpm)	1,5	2,4	2,0

Performance (96 g/l Salt Dosage)			
Ref.	SC001	SC003	SC004
Hardness removal (Grams CaCO <sub>3</sub> )	377	1590	2175
Backwash Flow Rate (l/m)	5,7	9,0	7,6
Service Flow Rate (m <sup>3</sup> /h)	1,0	2,0	2,2
Salt Used - per regeneration (kg)	0,96	2,88	4,03
Water Used - per regeneration (l)	57	118	138

Characteristics:	
Connections In/Out	1"
Width	320 mm
Depth	508 mm
Power input	100-240 V AC 50-60 Hz
Power output	12 V 1,5 A
Operating temperature	5 - 38 °C
Operating pressure	2 - 8,5 bar

Ref.	Box: WxLxH (mm)	Box: Q.ty	Box: Weight (kg)	Pallet: WxLxH	Pallet: Q.ty	Pallet: Weight
SC001	370x538x672	1	22,5			
SC003	370x538x1180	1	50			
SC004	370x538x1408	1	64			

Certificates	Manufacturer	Sectors
DM25-2012 , CE	Canature	Domestic



## RUNXIN Automatic Water Softeners GASTRO Series



- Suitable for residential water softening applications;
  - With standard accessories and pre-assembled, with ion exchange resin;
  - Standard colours: white tank and blue cover, in High Density Polyethylene (HDPE);
  - With F79 Runxin Valve: electronic, volumetric, programmable, multilinguage.
- Pieces per 40' container = 1052.

Ref.	Description	Fam.	Subfam.	Disp. Stock	Price Euro
SR001	GASTRO RUNXIN AUTOMATIC WATER SOFTENER	405	807	NO	527,36

Characteristics:	
Connections In/Out	3/4"
Resin Tank Size	7x13
Resin Volume	4 liters
Height	510 mm
Width	195 mm
Depth	360 mm
Power input	100-240 V 50-60 Hz
Power output	12 V 1,5 A
Maximum power	18 W
Operating temperature	5 - 38 °C
Operating pressure	2 - 6 bar
Suggested flow rate	0,3 - 0,4 m3/h
Water capacity per cycle, specified for CaCO3 concentration 250 mg/l	0,8 m3
Type of regeneration	Meter delayed UpFlow - Meter delayed DownFlow
Type of menu	Foreground menu (available for customer) - you can adjust water hardness. Background menu - you can adjust advanced settings.
Languages of menu	English, Spanish, French, Italian, German, Slovakian, Russian, Polish, Chinese, Turkish, Catalan
Additional functions	With raw water pass valve during regeneration. With External Bypass Valve. With Hard-water mixing screw.

Box: WxLxH (mm)	Box: Q.ty	Box: Weight (kg)	Pallet: WxLxH (mm)	Pallet: Q.ty	Pallet: Weight (kg)
240x410x550	1			24	

Certificates	Manufacturer	Sectors
DM25-2012 , CE	Runxin	Domestic



## RUNXIN Automatic Water Softeners GAIA-M Series



- Suitable for residential water softening applications;
  - With standard accessories and pre-assembled, with ion exchange resin;
  - Standard colours: white tank and white cover, in High Density Polyethylene (HDPE);
  - With F79 Runxin Valve: electronic, volumetric, programmable, multilinguage.
- Pieces per 40' container = 330.

Ref.	Description	Fam.	Subfam.	Disp. Stock	Price Euro
SR021	GAIA-M RUNXIN AUTOMATIC WATER SOFTENER	405	807	NO	810,93

Characteristics:	
Connections In/Out	3/4"
Resin Tank Size	10x17
Resin Volume	12 liters
Height	615 mm
Width	326 mm
Depth	525 mm
Power input	100-240 V 50-60 Hz
Power output	12 V 1,5 A
Maximum power	18 W
Operating temperature	5 - 38 °C
Operating pressure	2 - 6 bar
Suggested flow rate	1 m3/h
Water capacity per cycle, specified for CaCO3 concentration 250 mg/l	2,5 m3
Type of regeneration	Meter delayed UpFlow - Meter delayed DownFlow
Type of menu	Foreground menu (available for customer) - you can adjust water hardness. Background menu - you can adjust advanced settings.
Languages of menu	English, Spanish, French, Italian, German, Slovakian, Russian, Polish, Chinese, Turkisch, Catalan.
Additional functions	With raw water pass valve during regeneration. With External Bypass Valve. With Hard-water mixing screw.

Box: WxLxH (mm)	Box: Q.ty	Box: Weight (kg)	Pallet: WxLxH (mm)	Pallet: Q.ty	Pallet: Weight (kg)
465x510x655	1			4	

Certificates	Manufacturer	Sectors
DM25-2012 , CE	Runxin	Domestic



## RUNXIN Automatic Water Softeners GAIA-XL Series



- Suitable for residential water softening applications;
- With standard accessories and pre-assembled, with ion exchange resin;
- Standard colours: white tank and white cover, in High Density Polyethylene (HDPE);
- With F79 Runxin Valve: electronic, volumetric, programmable, multilinguage.

- Pieces per 40' container = 220.

Ref.	Description	Fam.	Subfam.	Disp. Stock	Price Euro
SR041	GAIA-XL RUNXIN AUTOMATIC WATER SOFTENER	405	807	NO	1101,06

Characteristics:	
Connections In/Out	3/4"
Resin Tank Size	10x35
Resin Volume	25 liters
Height	1070 mm
Width	326 mm
Depth	525 mm
Power input	100-240 V 50-60 Hz
Power output	12 V 1,5 A
Maximum power	18 W
Operating temperature	5 - 38 °C
Operating pressure	2 - 6 bar
Suggested flow rate	1,5 m3/h
Water capacity per cycle, specified for CaCO3 concentration 250 mg/l	5,3 m3
Type of regeneration	Meter delayed UpFlow - Meter delayed DownFlow
Type of menu	Foreground menu (available for customer) - you can adjust water hardness. Background menu - you can adjust advanced settings.
Languages of menu	English, Spanish, French, Italian, German, Slovakian, Russian, Polish, Chinese, Turkish, Catalan
Additional functions	With raw water pass valve during regeneration. With External Bypass Valve. With Hard-water mixing screw.

Box: WxLxH (mm)	Box: Q.ty	Box: Weight (kg)	Pallet: WxLxH (mm)	Pallet: Q.ty	Pallet: Weight (kg)
465x510x1115	1			4	

Certificates	Manufacturer	Sectors
DM25-2012 , CE	Runxin	Domestic



## RUNXIN Automatic Water Softeners NIKE-M Series



- Suitable for residential water softening applications;
  - With standard accessories and pre-assembled, with ion exchange resin;
  - Standard colours: white tank and white cover, in High Density Polyethylene (HDPE);
  - With F79 Runxin Valve: electronic, volumetric, programmable, multilinguage.
- Pieces per 40' container = 315.

Ref.	Description	Fam.	Subfam.	Disp. Stock	Price Euro
SR061	NIKE-M RUNXIN AUTOMATIC WATER SOFTENER	405	807	NO	765,86

Characteristics:	
Connections In/Out	3/4"
Resin Tank Size	10x17
Resin Volume	12 liters
Height	505 mm
Width	350 mm
Depth	580 mm
Power input	100-240 V 50-60 Hz
Power output	12 V 1,5 A
Maximum power	18 W
Operating temperature	5 - 38 °C
Operating pressure	2 - 6 bar
Suggested flow rate	1 m3/h
Water capacity per cycle, specified for CaCO3 concentration 250 mg/l	2,5 m3
Type of regeneration	Meter delayed UpFlow - Meter delayed DownFlow
Type of menu	Foreground menu (available for customer) - you can adjust water hardness. Background menu - you can adjust advanced settings.
Languages of menu	English, Spanish, French, Italian, German, Slovakian, Russian, Polish, Chinese, Turkish, Catalan
Additional functions	With raw water pass valve during regeneration. With External Bypass Valve. With Hard-water mixing screw.

Box: WxLxH (mm)	Box: Q.ty	Box: Weight (kg)	Pallet: WxLxH (mm)	Pallet: Q.ty	Pallet: Weight (kg)
480x530x645	1			8	

Certificates	Manufacturer	Sectors
DM25-2012 , CE	Runxin	Domestic



## RUNXIN Automatic Water Softeners NIKE-XL Series



- Suitable for residential water softening applications;
  - With standard accessories and pre-assembled, with ion exchange resin;
  - Standard colours: white tank and white cover, in High Density Polyethylene (HDPE);
  - With F79 Runxin Valve: electronic, volumetric, programmable, multilinguage.
- Pieces per 40' container = 210.

Ref.	Description	Fam.	Subfam.	Disp. Stock	Price Euro
SR081	NIKE-XL RUNXIN AUTOMATIC WATER SOFTENER	405	807	NO	1061,03

Characteristics:	
Connections In/Out	3/4"
Resin Tank Size	10x35
Resin Volume	25 liters
Height	1050 mm
Width	355 mm
Depth	520 mm
Power input	100-240 V 50-60 Hz
Power output	12 V 1,5 A
Maximum power	18 W
Operating temperature	5 - 38 °C
Operating pressure	2 - 6 bar
Suggested flow rate	1,5 m3/h
Water capacity per cycle, specified for CaCO3 concentration 250 mg/l	5,3 m3
Type of regeneration	Meter delayed UpFlow - Meter delayed DownFlow
Type of menu	Foreground menu (available for customer) - you can adjust water hardness. Background menu - you can adjust advanced settings.
Languages of menu	English, Spanish, French, Italian, German, Slovakian, Russian, Polish, Chinese, Turkisch, Catalan
Additional functions	With raw water pass valve during regeneration. With External Bypass Valve. With Hard-water mixing screw.

Box: WxLxH (mm)	Box: Q.ty	Box: Weight (kg)	Pallet: WxLxH (mm)	Pallet: Q.ty	Pallet: Weight (kg)
480x530x1105	1			4	

Certificates	Manufacturer	Sectors
DM25-2012 , CE	Runxin	Domestic



## RUNXIN Automatic Water Softeners MARS-M Series



- Suitable for residential water softening applications;
- With standard accessories and pre-assembled, but without ion exchange resin;
- Standard colours: white tank and white cover, in High Density Polyethylene (HDPE);
- With F79 Runxin Valve: electronic, volumetric, programmable, multilingual.

- Pieces per 40' container = 372.

Ref.	Description	Fam.	Subfam.	Disp. Stock	Price Euro
SR101	MARS-M RUNXIN AUTOMATIC WATER SOFTENER	405	807	NO	759,71

Characteristics:	
Connections In/Out	3/4"
Resin Tank Size	9x17
Resin Volume	11 liters
Height	598 mm
Width	285 mm
Depth	465 mm
Power input	100-240 V 50-60 Hz
Power output	12 V 1,5 A
Maximum power	18 W
Operating temperature	5 - 38 °C
Operating pressure	2 - 6 bar
Suggested flow rate	0,8 - 1 m3/h
Water capacity per cycle, specified for CaCO3 concentration 250 mg/l	2,3 m3
Type of regeneration	Meter delayed UpFlow - Meter delayed DownFlow
Type of menu	Foreground menu (available for customer) - you can adjust water hardness. Background menu - you can adjust advanced settings.
Languages of menu	English, Spanish, French, Italian, German, Slovakian, Russian, Polish, Chinese, Turkish, Catalan
Additional functions	With raw water pass valve during regeneration. With External Bypass Valve. With Hard-water mixing screw.

Box: WxLxH (mm)	Box: Q.ty	Box: Weight (kg)	Pallet: WxLxH (mm)	Pallet: Q.ty	Pallet: Weight (kg)
385x515x655	1			8	

Certificates	Manufacturer	Sectors
DM25-2012 , CE	Runxin	Domestic





## RUNXIN Automatic Water Softeners MARS-L Series



- Suitable for residential water softening applications;
  - With standard accessories and pre-assembled, with ion exchange resin;
  - Standard colours: white tank and white cover, in High Density Polyethylene (HDPE);
  - With F79 Runxin Valve: electronic, volumetric, programmable, multilingual.
- Pieces per 40' container = 248.

Ref.	Description	Fam.	Subfam.	Disp. Stock	Price Euro
SR121	MARS-L RUNXIN AUTOMATIC WATER SOFTENER	405	807	NO	1023,91

Characteristics:	
Connections In/Out	3/4"
Resin Tank Size	9x35
Resin Volume	23 liters
Height	1055 mm
Width	285 mm
Depth	485 mm
Power input	100-240 V 50-60 Hz
Power output	12 V 1,5 A
Maximum power	18 W
Operating temperature	5 - 38 °C
Operating pressure	2 - 6 bar
Suggested flow rate	0,8 - 1 m3/h
Water capacity per cycle, specified for CaCO <sub>3</sub> concentration 250 mg/l	4,8 m3
Type of regeneration	Meter delayed UpFlow - Meter delayed DownFlow
Type of menu	Foreground menu (available for customer) - you can adjust water hardness. Background menu - you can adjust advanced settings.
Languages of menu	English, Spanish, French, Italian, German, Slovakian, Russian, Polish, Chinese, Turkish, Catalan.
Additional functions	With raw water pass valve during regeneration. With External Bypass Valve. With Hard-water mixing screw.

Box: WxLxH (mm)	Box: Q.ty	Box: Weight (kg)	Pallet: WxLxH (mm)	Pallet: Q.ty	Pallet: Weight (kg)
385x515x1115	1			4	

Certificates	Manufacturer	Sectors
DM25-2012 , CE	Runxin	Domestic



## RUNXIN Automatic Water Softeners EOS-M Series



- Suitable for residential water softening applications;
  - With standard accessories and pre-assembled, with ion exchange resin;
  - Standard colours: white tank and white cover, in High Density Polyethylene (HDPE);
  - With F79 Runxin Valve: electronic, volumetric, programmable, multilinguage.
- Pieces per 40' container = 327.

Ref.	Description	Fam.	Subfam.	Disp. Stock	Price Euro
SR141	EOS-M RUNXIN AUTOMATIC WATER SOFTENER	405	807	NO	780,22

Characteristics:	
Connections In/Out	3/4"
Resin Tank Size	10x17
Resin Volume	12 liters
Height	615 mm
Width	325 mm
Depth	525 mm
Power input	100-240 V 50-60 Hz
Power output	12 V 1,5 A
Maximum power	18 W
Operating temperature	5 - 38 °C
Operating pressure	2 - 6 bar
Suggested flow rate	1 m3/h
Water capacity per cycle, specified for CaCO3 concentration 250 mg/l	2,5 m3
Type of regeneration	Meter delayed UpFlow - Meter delayed DownFlow
Type of menu	Foreground menu (available for customer) - you can adjust water hardness. Background menu - you can adjust advanced settings.
Languages of menu	English, Spanish, French, Italian, German, Slovakian, Russian, Polish, Chinese, Turkish, Catalan.
Additional functions	With raw water pass valve during regeneration. With External Bypass Valve. With Hard-water mixing screw.

Box: WxLxH (mm)	Box: Q.ty	Box: Weight (kg)	Pallet: WxLxH (mm)	Pallet: Q.ty	Pallet: Weight (kg)
390x570x1135	1			8	

Certificates	Manufacturer	Sectors
DM25-2012 , CE	Runxin	Domestic



## RUNXIN Automatic Water Softeners EOS-XL Series



- Suitable for residential water softening applications;
  - With standard accessories and pre-assembled, with ion exchange resin;
  - Standard colours: white tank and white cover, in High Density Polyethylene (HDPE);
  - With F79 Runxin Valve: electronic, volumetric, programmable, multilingual.
- Pieces per 40' container = 218.

Ref.	Description	Fam.	Subfam.	Disp. Stock	Price Euro
SR161	EOS-XL RUNXIN AUTOMATIC WATER SOFTENER	405	807	NO	1094,43

Characteristics:	
Connections In/Out	3/4"
Resin Tank Size	10x35
Resin Volume	25 liters
Height	1070 mm
Width	320 mm
Depth	525 mm
Power input	100-240 V 50-60 Hz
Power output	12 V 1,5 A
Maximum power	18 W
Operating temperature	5 - 38 °C
Operating pressure	2 - 6 bar
Suggested flow rate	1,5 m3/h
Water capacity per cycle, specified for CaCO3 concentration 250 mg/l	5,3 m3
Type of regeneration	Meter delayed UpFlow - Meter delayed DownFlow
Type of menu	Foreground menu (available for customer) - you can adjust water hardness. Background menu - you can adjust advanced settings.
Languages of menu	English, Spanish, French, Italian, German, Slovakian, Russian, Polish, Chinese, Turkish, Catalan.
Additional functions	With raw water pass valve during regeneration. With External Bypass Valve. With Hard-water mixing screw.

Box: WxLxH (mm)	Box: Q.ty	Box: Weight (kg)	Pallet: WxLxH (mm)	Pallet: Q.ty	Pallet: Weight (kg)
385x515x655	1			4	

Certificates	Manufacturer	Sectors
DM25-2012 , CE	Runxin	Domestic



## RUNXIN Automatic Water Softeners HERA-S Series



- Suitable for residential water softening applications;
  - With standard accessories and pre-assembled, with ion exchange resin;
  - Standard colours: white tank and white cover, in High Density Polyethylene (HDPE);
  - With F79 Runxin Valve: electronic, volumetric, programmable, multilingual.
- Pieces per 40' container = 450.

Ref.	Description	Fam.	Subfam.	Disp. Stock	Price Euro
SR181	HERA-S RUNXIN AUTOMATIC WATER SOFTENER	405	807	NO	697,64

Characteristics:	
Connections In/Out	3/4"
Resin Tank Size	8x17
Resin Volume	8 liters
Height	630 mm
Width	260 mm
Depth	440 mm
Power input	100-240 V 50-60 Hz
Power output	12 V 1,5 A
Maximum power	18 W
Operating temperature	5 - 38 °C
Operating pressure	2 - 6 bar
Suggested flow rate	0,6 m3/h
Water capacity per cycle, specified for CaCO3 concentration 250 mg/l	1,7 m3
Type of regeneration	Meter delayed UpFlow - Meter delayed DownFlow
Type of menu	Foreground menu (available for customer) - you can adjust water hardness. Background menu - you can adjust advanced settings.
Languages of menu	English, Spanish, French, Italian, German, Slovakian, Russian, Polish, Chinese, Turkish, Catalan.
Additional functions	With raw water pass valve during regeneration. With External Bypass Valve. With Hard-water mixing screw.

Box: WxLxH (mm)	Box: Q.ty	Box: Weight (kg)	Pallet: WxLxH (mm)	Pallet: Q.ty	Pallet: Weight (kg)
325x485x685	1			8	

Certificates	Manufacturer	Sectors
DM25-2012 , CE	Runxin	Domestic



## RUNXIN Automatic Water Softeners HERA-L Series



- Suitable for residential water softening applications;
  - With standard accessories and pre-assembled, with ion exchange resin;
  - Standard colours: white tank and white cover, in High Density Polyethylene (HDPE);
  - With F79 Runxin Valve: electronic, volumetric, programmable, multilingual.
- Pieces per 40' container = 300.

Ref.	Description	Fam.	Subfam.	Disp. Stock	Price Euro
SR201	HERA-L RUNXIN AUTOMATIC WATER SOFTENER	405	807	NO	933,97

Characteristics:	
Connections In/Out	3/4"
Resin Tank Size	8x35
Resin Volume	20 liters
Height	1090 mm
Width	260 mm
Depth	440 mm
Power input	100-240 V 50-60 Hz
Power output	12 V 1,5 A
Maximum power	18 W
Operating temperature	5 - 38 °C
Operating pressure	2 - 6 bar
Suggested flow rate	1,5 m3/h
Water capacity per cycle, specified for CaCO3 concentration 250 mg/l	4,2 m3
Type of regeneration	Meter delayed UpFlow - Meter delayed DownFlow
Type of menu	Foreground menu (available for customer) - you can adjust water hardness. Background menu - you can adjust advanced settings.
Languages of menu	English, Spanish, French, Italian, German, Slovakian, Russian, Polish, Chinese, Turkish, Catalan.
Additional functions	With raw water pass valve during regeneration. With External Bypass Valve. With Hard-water mixing screw.

Box: WxLxH (mm)	Box: Q.ty	Box: Weight (kg)	Pallet: WxLxH (mm)	Pallet: Q.ty	Pallet: Weight (kg)
325x485x1150	1			4	

Certificates	Manufacturer	Sectors
DM25-2012 , CE	Runxin	Domestic



## RUNXIN Automatic Water Softeners SATURN-M Series



- Suitable for residential water softening applications;
  - With standard accessories and pre-assembled, with ion exchange resin;
  - Standard colours: white tank and white cover, in High Density Polyethylene (HDPE);
  - With F105 Runxin Valve: electronic, volumetric, programmable, multilinguague.
- Pieces per 40' container = 350.

Ref.	Description	Fam.	Subfam.	Disp. Stock	Price Euro
SR221	SATURN-M RUNXIN AUTOMATIC WATER SOFTENER	405	807	NO	900,25

Characteristics:	
Connections In/Out	3/4"
Resin Tank Size	10x15
Resin Volume	11 liters
Height	540 mm
Width	315 mm
Depth	450 mm
Power input	100-240 V 50-60 Hz
Power output	12 V 1,5 A
Maximum power	18 W
Operating temperature	5 - 38 °C
Operating pressure	1,5 - 4 bar
Suggested flow rate	0,8 - 1 m3/h
Water capacity per cycle, specified for CaCO3 concentration 250 mg/l	2,3 m3
Type of regeneration	Meter delayed UpFlow - Meter delayed DownFlow
Type of menu	Foreground menu (available for customer) - you can adjust water hardness. Background menu - you can adjust advanced settings.
Languages of menu	English, Spanish, French, Italian, German, Chinese.
Additional functions	With raw water pass valve during regeneration. Bypass included. With Hard-water mixing screw. Possibility to connect a disinfecting device. Anti-flooding protection. Vacation mode. Possibility to set the head in the closed position. Dry brine tank. Salt refill alarm. Service alarm.

Box: WxLxH (mm)	Box: Q.ty	Box: Weight (kg)	Pallet: WxLxH (mm)	Pallet: Q.ty	Pallet: Weight (kg)
380x500x605	1			8	

Certificates	Manufacturer	Sectors
DM25-2012 , CE	Runxin	Domestic



## RUNXIN Automatic Water Softeners SATURN-XL Series



- Suitable for residential water softening applications;
- With standard accessories and pre-assembled, with ion exchange resin;
- Standard colours: white tank and white cover, in High Density Polyethylene (HDPE);
- With F105 Runxin Valve: electronic, volumetric, programmable, multilinguage.

- Pieces per 40' container = 250.

Ref.	Description	Fam.	Subfam.	Disp. Stock	Price Euro
SR241	SATURN-XL RUNXIN AUTOMATIC WATER SOFTENER	405	807	NO	1209,88

Characteristics:	
Connections In/Out	3/4"
Resin Tank Size	10x35
Resin Volume	25 liters
Height	1045 mm
Width	315 mm
Depth	450 mm
Power input	100-240 V 50-60 Hz
Power output	12 V 1,5 A
Maximum power	18 W
Operating temperature	5 - 38 °C
Operating pressure	1,5 - 4 bar
Suggested flow rate	1 - 2,5 m3/h
Water capacity per cycle, specified for CaCO <sub>3</sub> concentration 250 mg/l	5,3 m3
Type of regeneration	Meter delayed UpFlow - Meter delayed DownFlow
Type of menu	Foreground menu (available for customer) - you can adjust water hardness. Background menu - you can adjust advanced settings.
Languages of menu	English, Spanish, French, Italian, German, Chinese.
Additional functions	With raw water pass valve during regeneration. Bypass included. With Hard-water mixing screw. Possibility to connect a disinfecting device. Anti-flooding protection. Vacation mode. Possibility to set the head in the closed position. Dry brine tank. Salt refill alarm. Service alarm.

Box: WxLxH (mm)	Box: Q.ty	Box: Weight (kg)	Pallet: WxLxH (mm)	Pallet: Q.ty	Pallet: Weight (kg)
380x500x1115	1			4	

Certificates	Manufacturer	Sectors
DM25-2012 , CE	Runxin	Domestic



## RUNXIN Automatic Water Softeners ROMA-M Series



- Suitable for residential water softening applications;
  - With standard accessories and pre-assembled, with ion exchange resin;
  - Standard colours: white tank and white cover, in High Density Polyethylene (HDPE);
  - With F79 Runxin Valve: electronic, volumetric, programmable, multilingual.
- Pieces per 40' container = 350.

Ref.	Description	Fam.	Subfam.	Disp. Stock	Price Euro
SR261	ROMA-M RUNXIN AUTOMATIC WATER SOFTENER	405	807	NO	840,02

Characteristics:	
Connections In/Out	3/4"
Resin Tank Size	10x15
Resin Volume	15 liters
Height	545 mm
Width	315 mm
Depth	455 mm
Power input	100-240 V 50-60 Hz
Power output	12 V 1,5 A
Maximum power	18 W
Operating temperature	5 - 38 °C
Operating pressure	1,5 - 4 bar
Suggested flow rate	0,8 - 1 m3/h
Water capacity per cycle, specified for CaCO <sub>3</sub> concentration 250 mg/l	2,3 m3
Type of regeneration	Meter delayed UpFlow - Meter delayed DownFlow
Type of menu	Foreground menu (available for customer) - you can adjust water hardness. Background menu - you can adjust advanced settings.
Languages of menu	English, Spanish, French, Italian, German, Slovakian, Russian, Polish, Chinese, Turkisch, Catalan.
Additional functions	With raw water pass valve during regeneration. With External Bypass Valve. With Hard-water mixing screw. Possibility to connect a disinfecting device.

Box: WxLxH (mm)	Box: Q.ty	Box: Weight (kg)	Pallet: WxLxH (mm)	Pallet: Q.ty	Pallet: Weight (kg)
380x500x605	1			8	

Certificates	Manufacturer	Sectors
DM25-2012 , CE	Runxin	Domestic



## RUNXIN Automatic Water Softeners ROMA-XL Series



- Suitable for residential water softening applications;
  - With standard accessories and pre-assembled, with ion exchange resin;
  - Standard colours: white tank and white cover, in High Density Polyethylene (HDPE);
  - With F79 Runxin Valve: electronic, volumetric, programmable, multilingual.
- Pieces per 40' container = 250.

Ref.	Description	Fam.	Subfam.	Disp. Stock	Price Euro
SR281	ROMA-XL RUNXIN AUTOMATIC WATER SOFTENER	405	807	NO	1154.02

Characteristics:	
Connections In/Out	3/4"
Resin Tank Size	10x35
Resin Volume	25 liters
Height	1050 mm
Width	315 mm
Depth	455 mm
Power input	100-240 V 50-60 Hz
Power output	12 V 1,5 A
Maximum power	18 W
Operating temperature	5 - 38 °C
Operating pressure	1,5 - 4 bar
Suggested flow rate	1 - 2,5 m3/h
Water capacity per cycle, specified for CaCO <sub>3</sub> concentration 250 mg/l	5,3 m3
Type of regeneration	Meter delayed UpFlow - Meter delayed DownFlow
Type of menu	Foreground menu (available for customer) - you can adjust water hardness. Background menu - you can adjust advanced settings.
Languages of menu	English, Spanish, French, Italian, German, Slovakian, Russian, Polish, Chinese, Turkish, Catalan.
Additional functions	With raw water pass valve during regeneration. With External Bypass Valve. With Hard-water mixing screw. Possibility to connect a disinfecting device.

Box: WxLxH (mm)	Box: Q.ty	Box: Weight (kg)	Pallet: WxLxH (mm)	Pallet: Q.ty	Pallet: Weight (kg)
380x500x1115	1			4	

Certificates	Manufacturer	Sectors
DM25-2012 , CE	Runxin	Domestic



## Automatic Water Softeners LUNA-L Series



- Suitable for residential water softening applications;
  - With standard accessories and pre-assembled, with ion exchange resin;
  - Standard colours: white tank and white cover, in High Density Polyethylene (HDPE);
  - With F79 Runxin Valve: electronic, volumetric, programmable, multilinguage.
- Pieces per 40' container = 220.

Ref.	Description	Fam.	Subfam.	Disp. Stock	Price Euro
SR311	LUNA-L RUNXIN AUTOMATIC WATER SOFTENER	405	807	NO	1049,21

Characteristics:	
Connections In/Out	3/4"
Resin Tank Size	10x24
Resin Volume	20 liters
Height	790 mm
Width	360 mm
Depth	490 mm
Power input	100-240 V 50-60 Hz
Power output	12 V 1,5 A
Maximum power	18 W
Operating temperature	5 - 38 °C
Operating pressure	1,5 - 6 bar
Suggested flow rate	1,2 m3/h
Water capacity per cycle, specified for CaCO <sub>3</sub> concentration 250 mg/l	5,9 m3
Type of regeneration	Meter delayed UpFlow - Meter delayed DownFlow
Type of menu	Foreground menu (available for customer) - you can adjust water hardness. Background menu - you can adjust advanced settings.
Languages of menu	English, Spanish, French, Italian, German, Slovakian, Russian, Polish, Chinese, Turkish, Catalan, Danish.
Additional functions	With raw water pass valve during regeneration. With External Bypass Valve. With Hard-water mixing screw. Possibility to connect a disinfecting device.

Box: WxLxH (mm)	Box: Q.ty	Box: Weight (kg)	Pallet: WxLxH (mm)	Pallet: Q.ty	Pallet: Weight (kg)
450x520x835	1			4	

Certificates	Manufacturer	Sectors
DM25-2012 , CE	Runxin	Domestic



## Automatic Water Softeners LUNA-XL Series



- Suitable for residential water softening applications;
  - With standard accessories and pre-assembled, with ion exchange resin;
  - Standard colours: white tank and white cover, in High Density Polyethylene (HDPE);
  - With F79 Runxin Valve: electronic, volumetric, programmable, multilingual.
- Pieces per 40' container = 220.

Ref.	Description	Fam.	Subfam.	Disp. Stock	Price Euro
SR301	LUNA-XL RUNXIN AUTOMATIC WATER SOFTENER	405	807	NO	1147,10

Characteristics:	
Connections In/Out	3/4"
Resin Tank Size	10x35
Resin Volume	25 liters
Height	1090 mm
Width	360 mm
Depth	490 mm
Power input	100-240 V 50-60 Hz
Power output	12 V 1,5 A
Maximum power	18 W
Operating temperature	5 - 38 °C
Operating pressure	1,5 - 6 bar
Suggested flow rate	1,5 m3/h
Water capacity per cycle, specified for CaCO <sub>3</sub> concentration 250 mg/l	7,3 m3
Type of regeneration	Meter delayed UpFlow - Meter delayed DownFlow
Type of menu	Foreground menu (available for customer) - you can adjust water hardness. Background menu - you can adjust advanced settings.
Languages of menu	English, Spanish, French, Italian, German, Slovakian, Russian, Polish, Chinese, Turkish, Catalan, Danish.
Additional functions	With raw water pass valve during regeneration. With External Bypass Valve. With Hard-water mixing screw. Possibility to connect a disinfecting device.

Box: WxLxH (mm)	Box: Q.ty	Box: Weight (kg)	Pallet: WxLxH (mm)	Pallet: Q.ty	Pallet: Weight (kg)
450x520x1135	1			4	

Certificates	Manufacturer	Sectors
DM25-2012 , CE	Runxin	Domestic



## RUNXIN Automatic Water Softeners LUNA-XXL Series



- Suitable for residential water softening applications;
  - With standard accessories and pre-assembled, with ion exchange resin;
  - Standard colours: white tank and white cover, in High Density Polyethylene (HDPE);
  - With F79 Runxin Valve: electronic, volumetric, programmable, multilinguage.
- Pieces per 40' container = 110.

Ref.	Description	Fam.	Subfam.	Disp. Stock	Price Euro
SR321	LUNA-XXL RUNXIN AUTOMATIC WATER SOFTENER	405	807	NO	1353,52

Characteristics:	
Connections In/Out	3/4"
Resin Tank Size	10x44
Resin Volume	35 liters
Height	1300 mm
Width	360 mm
Depth	490 mm
Power input	100-240 V 50-60 Hz
Power output	12 V 1,5 A
Maximum power	18 W
Operating temperature	5 - 38 °C
Operating pressure	1,5 - 6 bar
Suggested flow rate	1,5 m3/h
Water capacity per cycle, specified for CaCO3 concentration 250 mg/l	7,4 m3
Type of regeneration	Meter delayed UpFlow - Meter delayed DownFlow
Type of menu	Foreground menu (available for customer) - you can adjust water hardness. Background menu - you can adjust advanced settings.
Languages of menu	English, Spanish, French, Italian, German, Slovakian, Russian, Polish, Chinese, Turkish, Catalan, Danish.
Additional functions	With raw water pass valve during regeneration. With External Bypass Valve. With Hard-water mixing screw. Possibility to connect a disinfecting device.

Box: WxLxH (mm)	Box: Q.ty	Box: Weight (kg)	Pallet: WxLxH (mm)	Pallet: Q.ty	Pallet: Weight (kg)
450x520x1400	1			4	

Certificates	Manufacturer	Sectors
DM25-2012 , CE	Runxin	Domestic

***FOLLOW***  
*THE FLOW OF WATER*

Keep in Touch!

